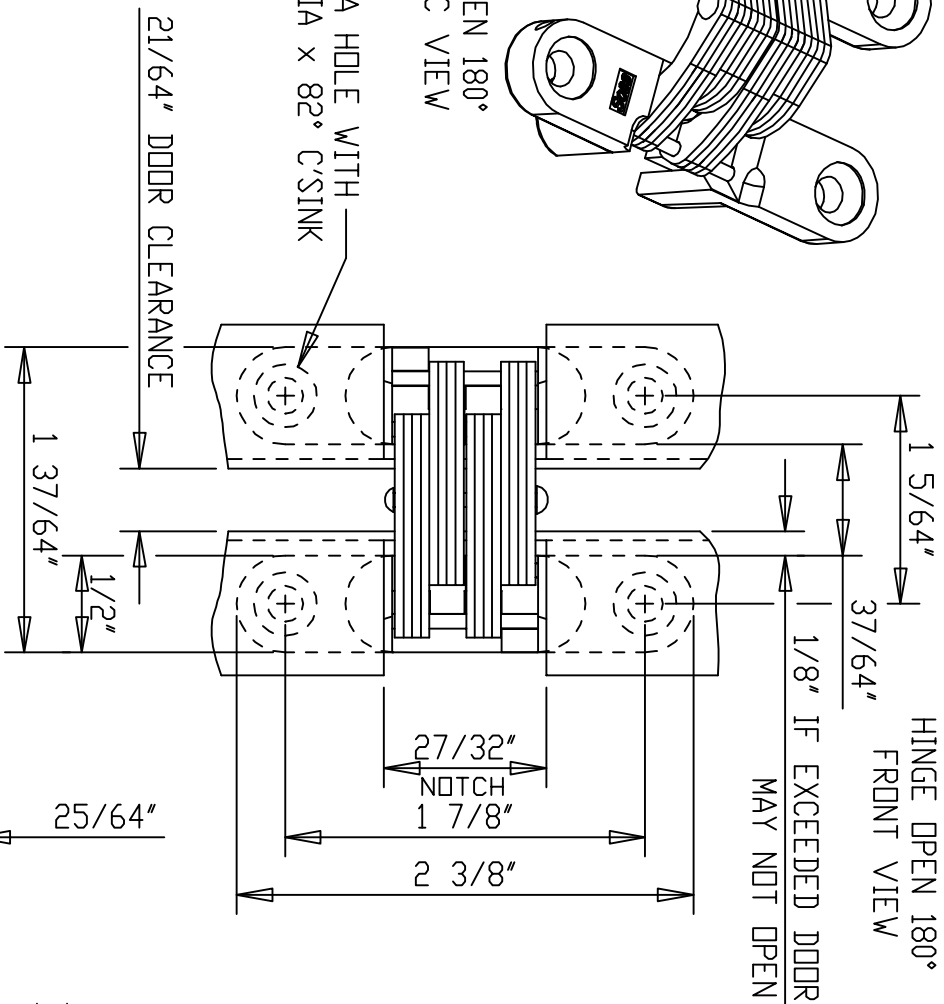
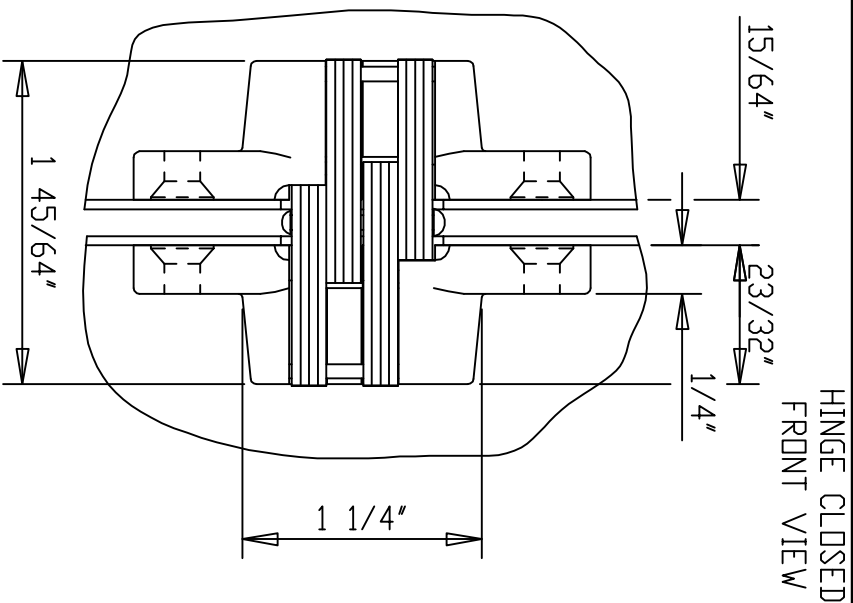


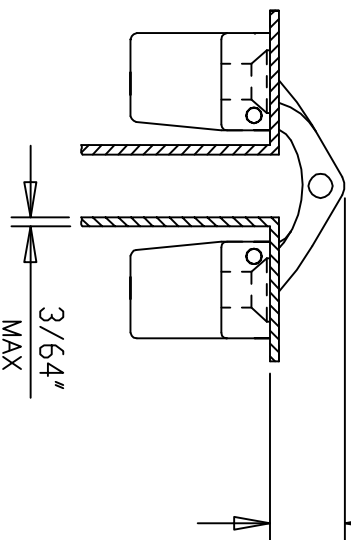
HINGE OPEN 180°  
ISOMETRIC VIEW



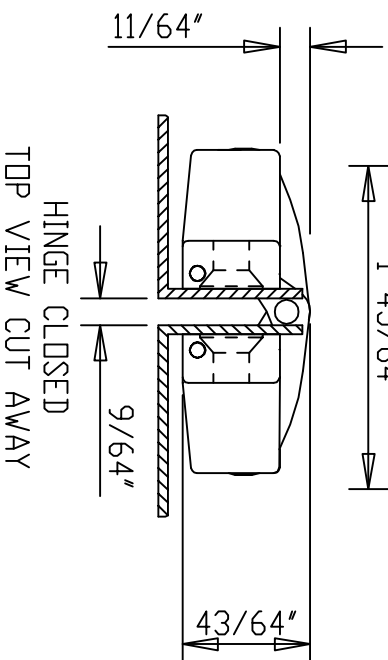
HINGE OPEN 180°  
FRONT VIEW



HINGE CLOSED  
FRONT VIEW



HINGE OPEN 180°  
TOP VIEW CUT AWAY



HINGE CLOSED  
TOP VIEW CUT AWAY

SCREWS NOT SUPPLIED, BUT  
#7 x 1-1/4" WOOD SCREWS  
OR #8-32 x 5/8" MACH.  
SCREWS ARE AVAILABLE

DO NOT SCALE DRAWING  
ALL DIMENSIONS ARE IN INCH

**UIIP** ©Copyright  
Universal Industrial Products, Inc.  
One Coreway Drive  
Pioneer, Ohio 43554-0628

SCALE: 1 = 1

DRAWN BY: LHH

HINGE TEMPLATE DATE: 5/01/11

#205 SSSS INVISIBLE HINGE DRAWING # 205