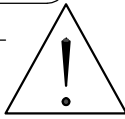
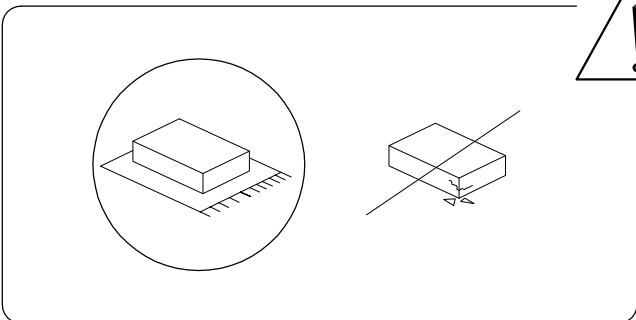


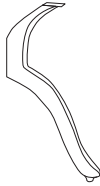

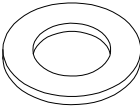
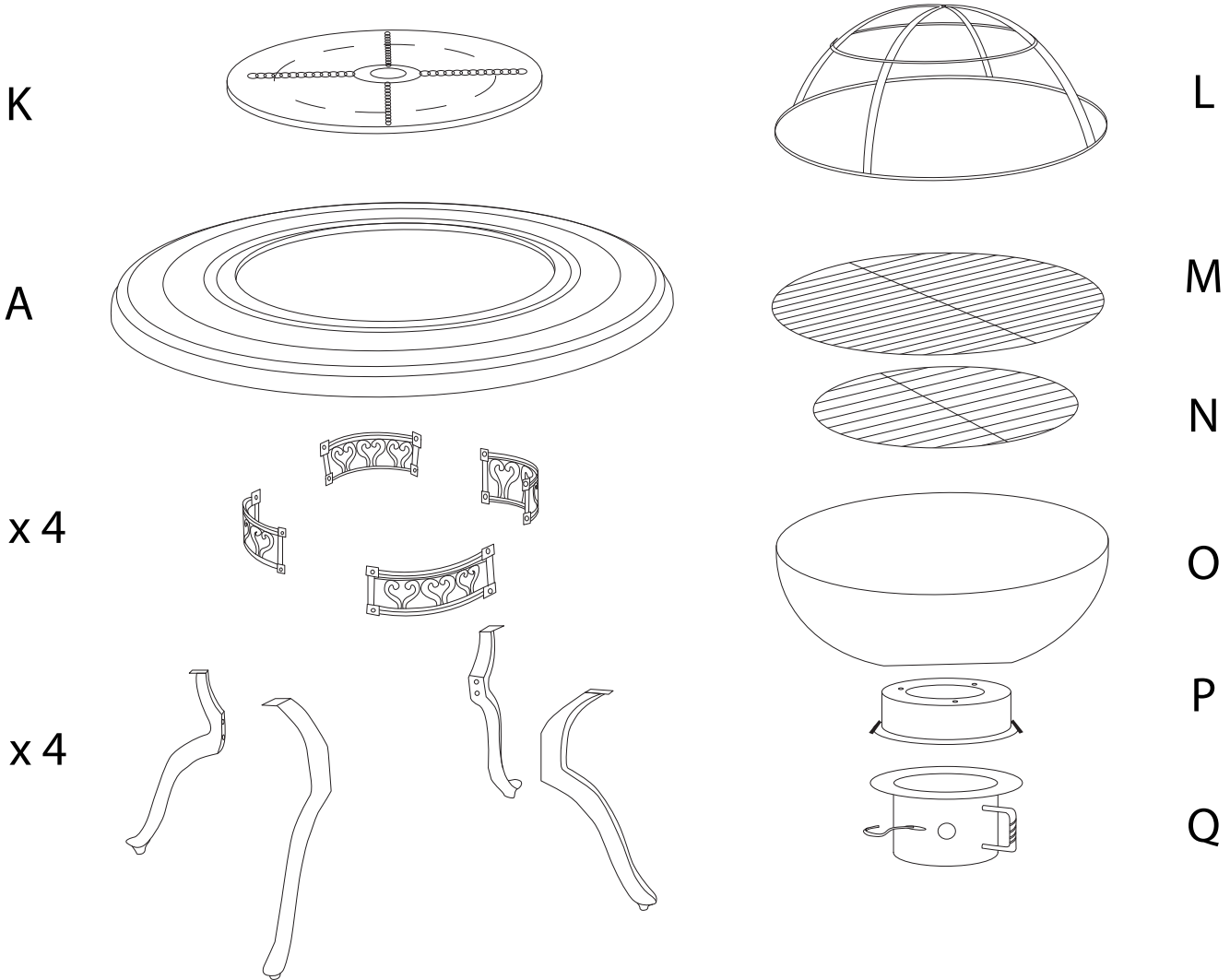


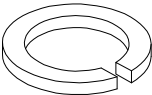
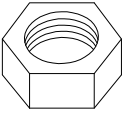
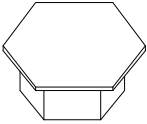

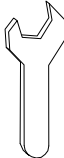
40'



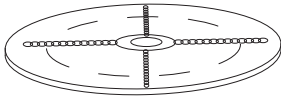
1

<b>A</b>	<b>B</b>	<b>C</b>	<b>D</b>	<b>E</b>
				
<b>x 1</b>	<b>x 4</b>	<b>x 4</b>	<b>x 12</b>	<b>x 12</b>



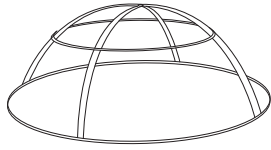
<b>F</b>	<b>G</b>	<b>H</b>	<b>I</b>	<b>J</b>
				
<b>x 12</b>	<b>x 12</b>	<b>x 12</b>	<b>x 1</b>	<b>x 1</b>

K



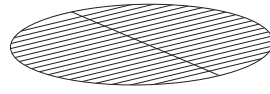
x 1

L



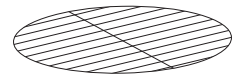
x 1

M



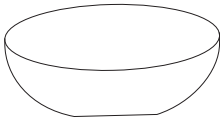
x 1

N



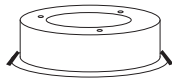
x 1

O



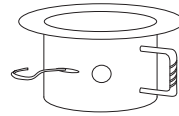
x 1

P



x 1

Q



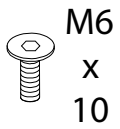
x 1

R



x 2

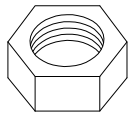
S



x 3

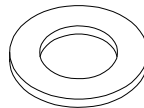
M6  
x  
10

T



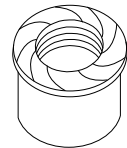
x 3

U



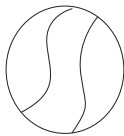
x 3

V



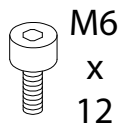
x 4

W



x 1

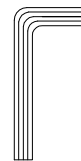
X



x 1

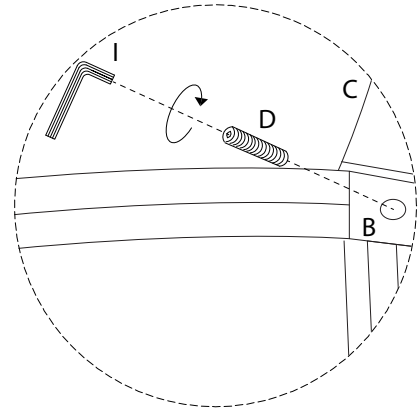
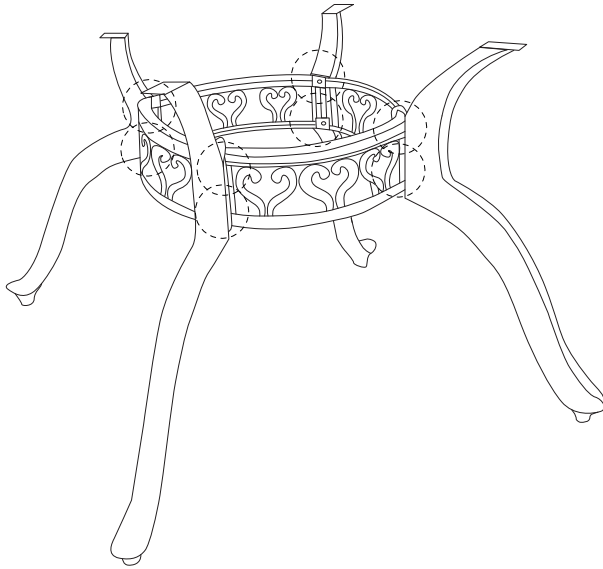
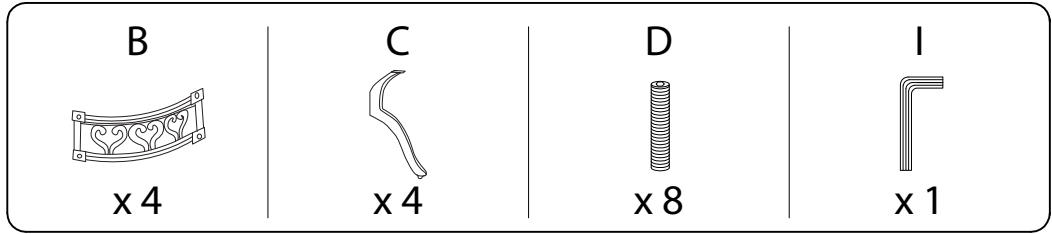
M6  
x  
12

Y

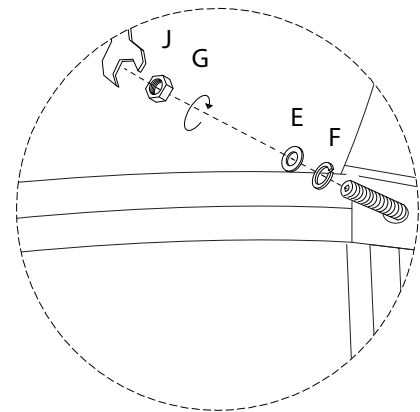
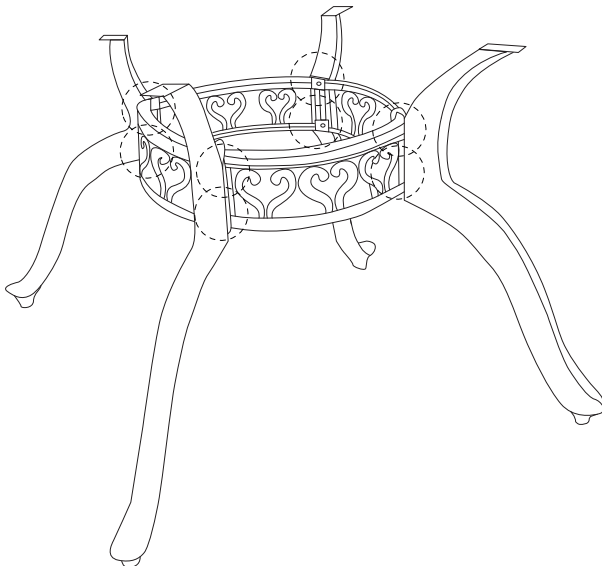
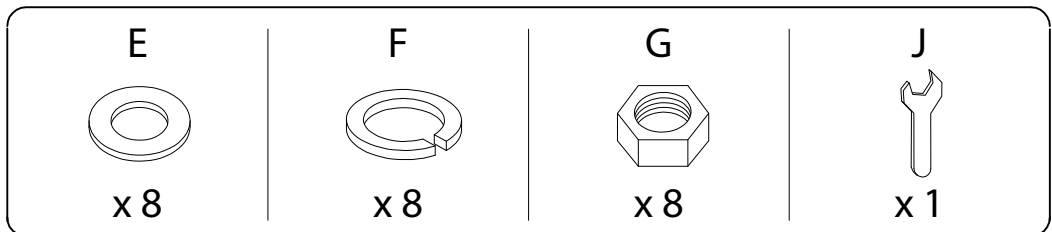


x 1

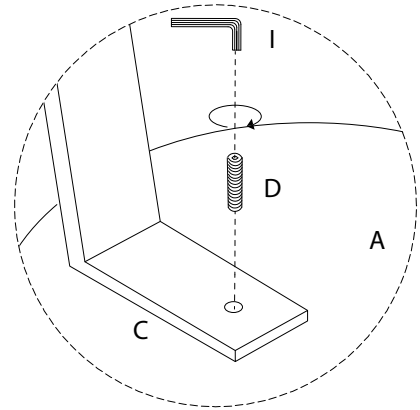
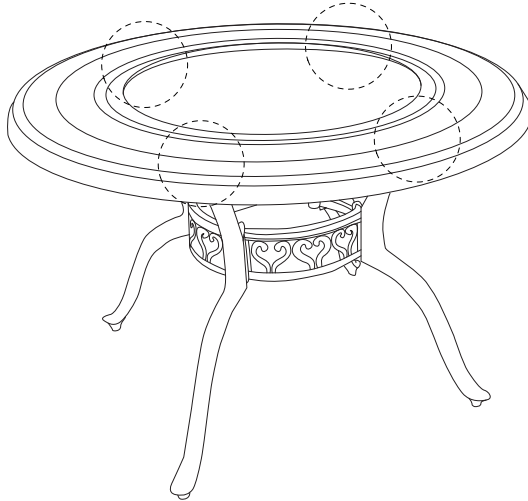
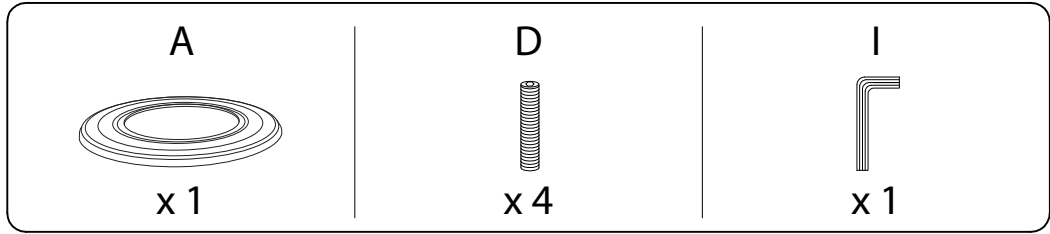
1



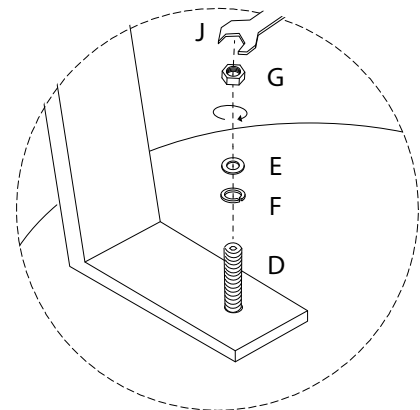
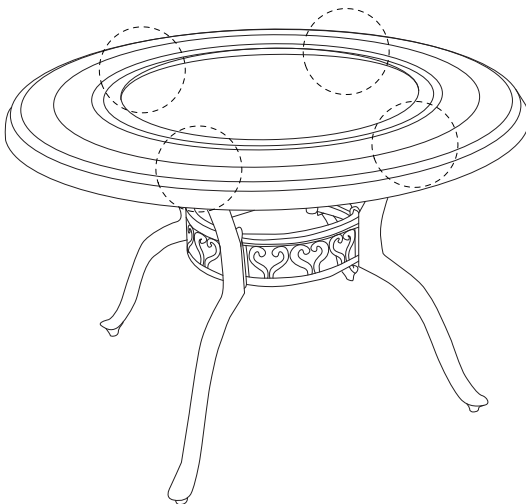
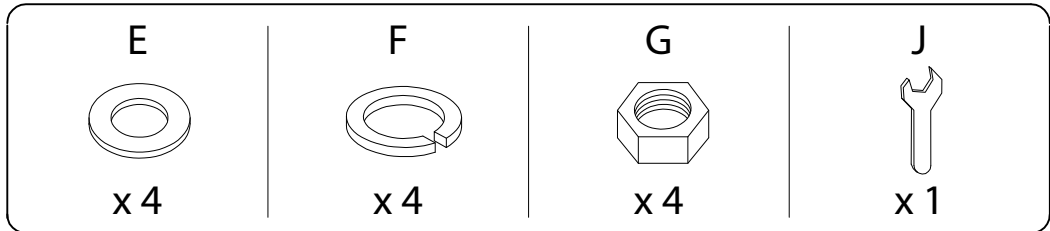
2



3



4

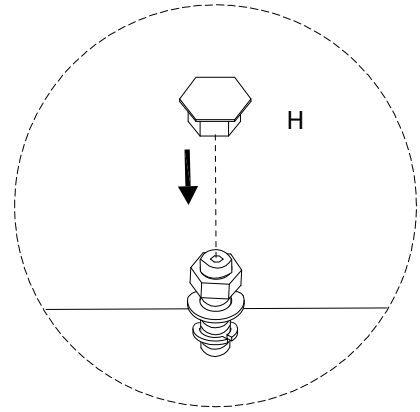
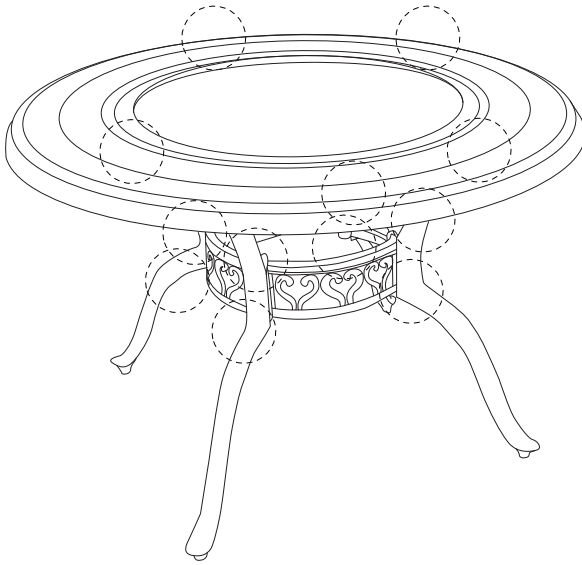


5

H



x 12



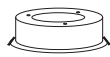
6

O



x 1

P



x 1

S



x 3

T



x 3

U



x 3

Y

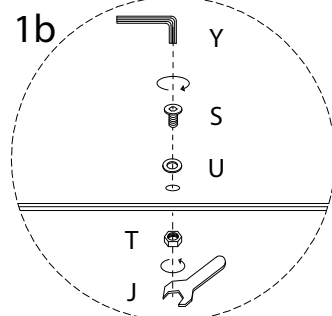
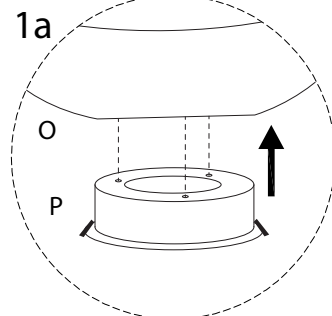
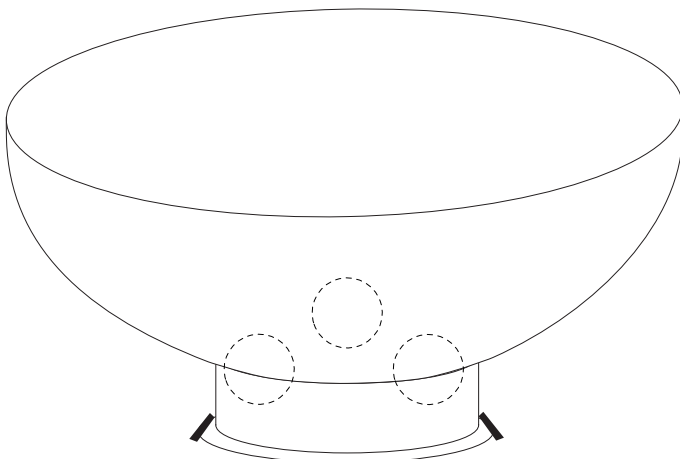


x 1

J



x 1



7

R

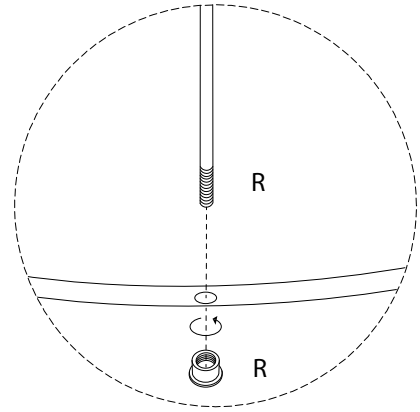
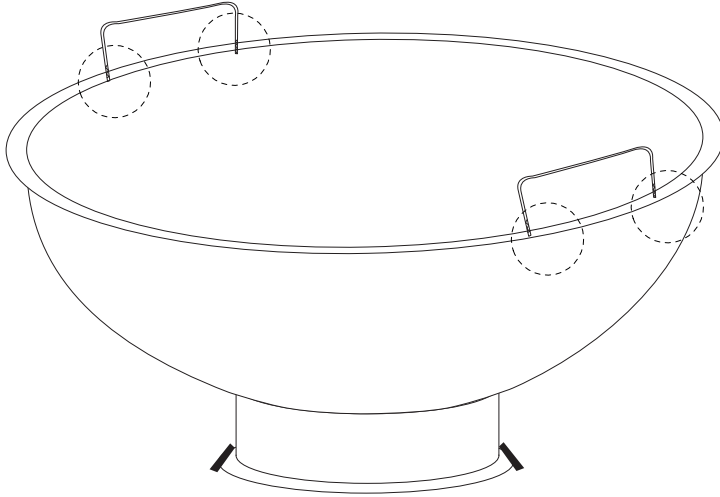


x 2

V



x 4



8

L



x 1

W



x 1

X



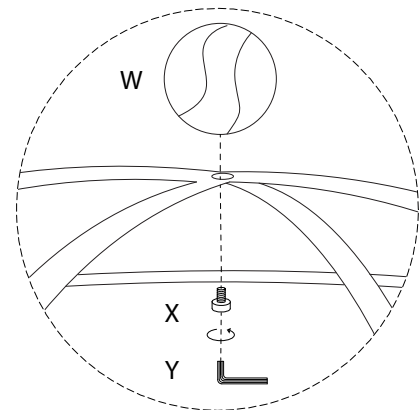
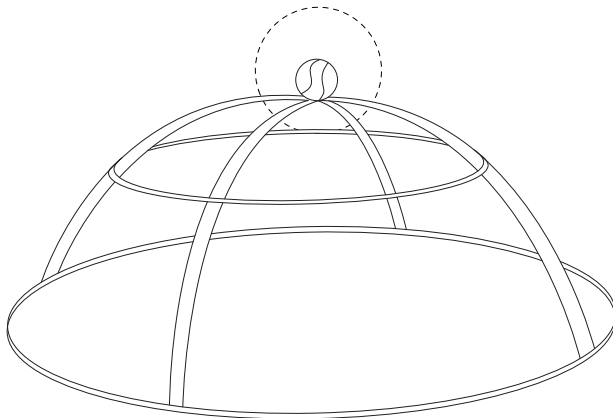
x 12

x 1

Y

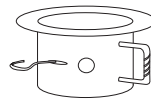


x 1

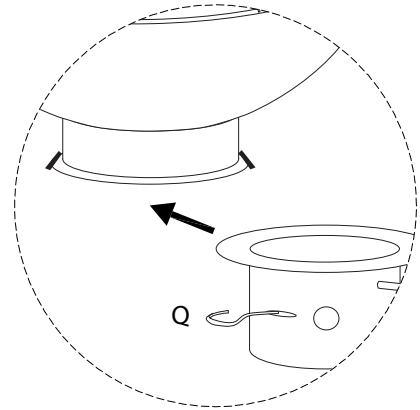
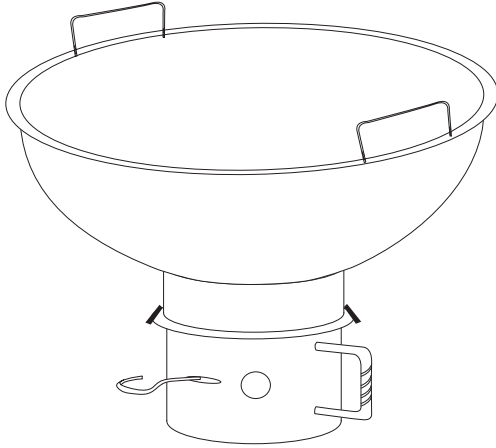


9

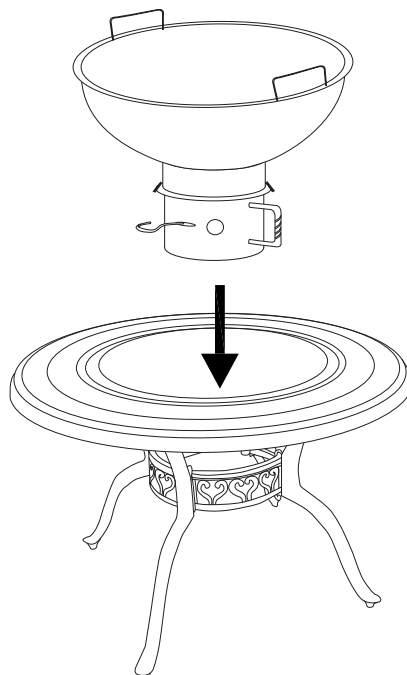
Q



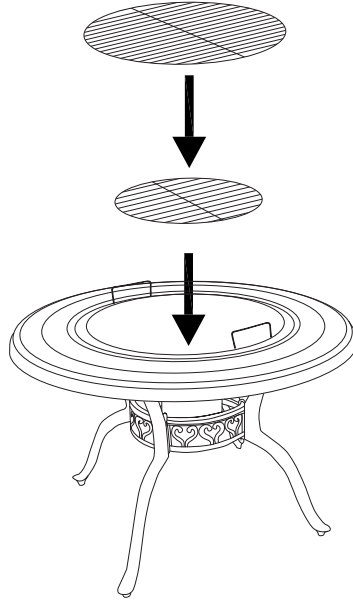
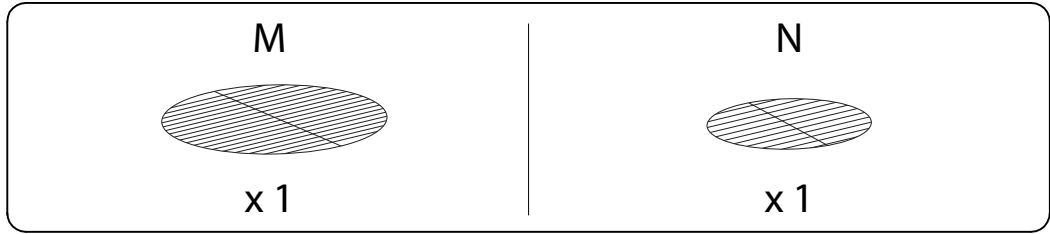
x 1



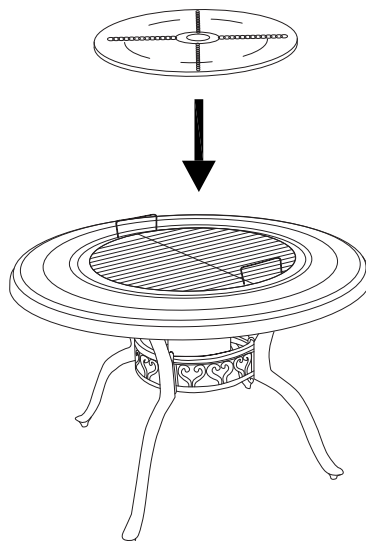
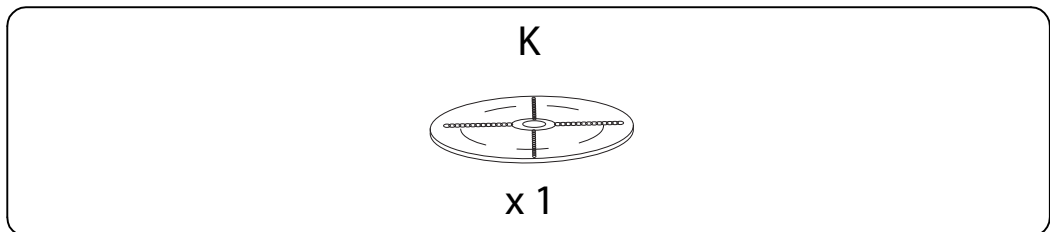
10



11



!



!

