

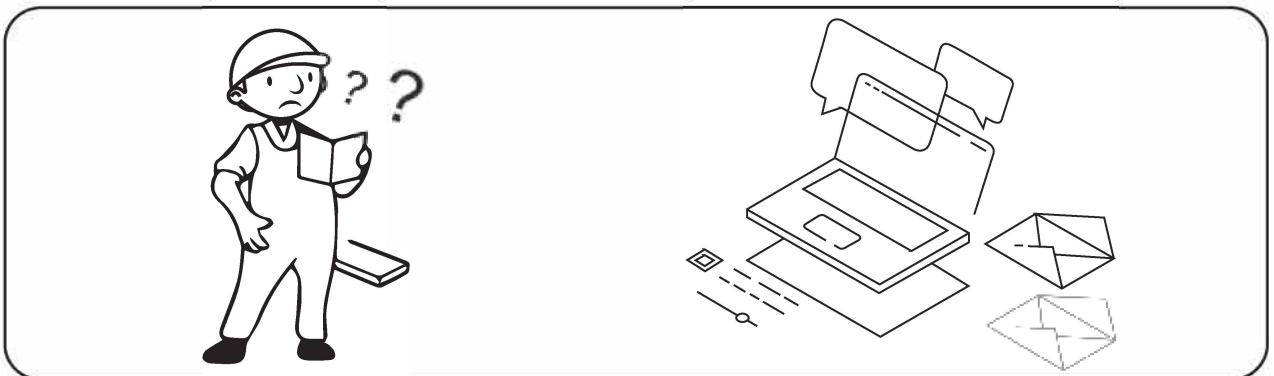
INSTALLATION MANUAL



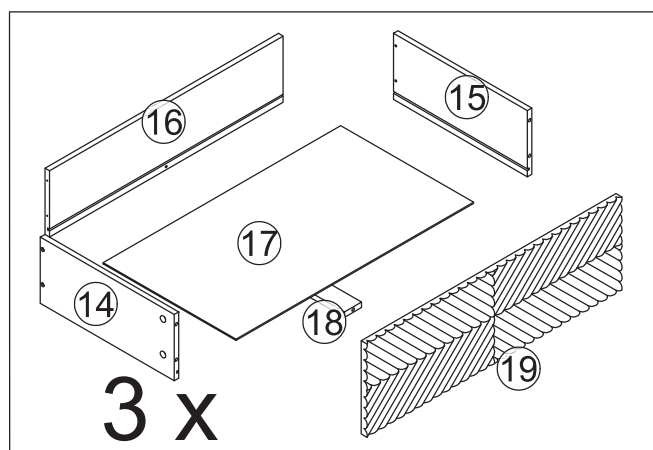
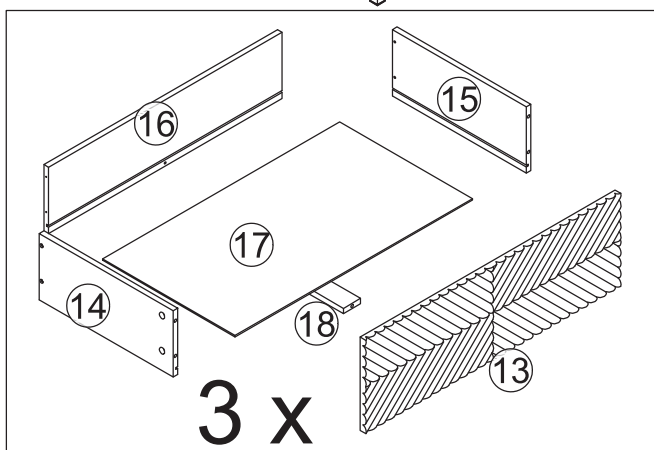
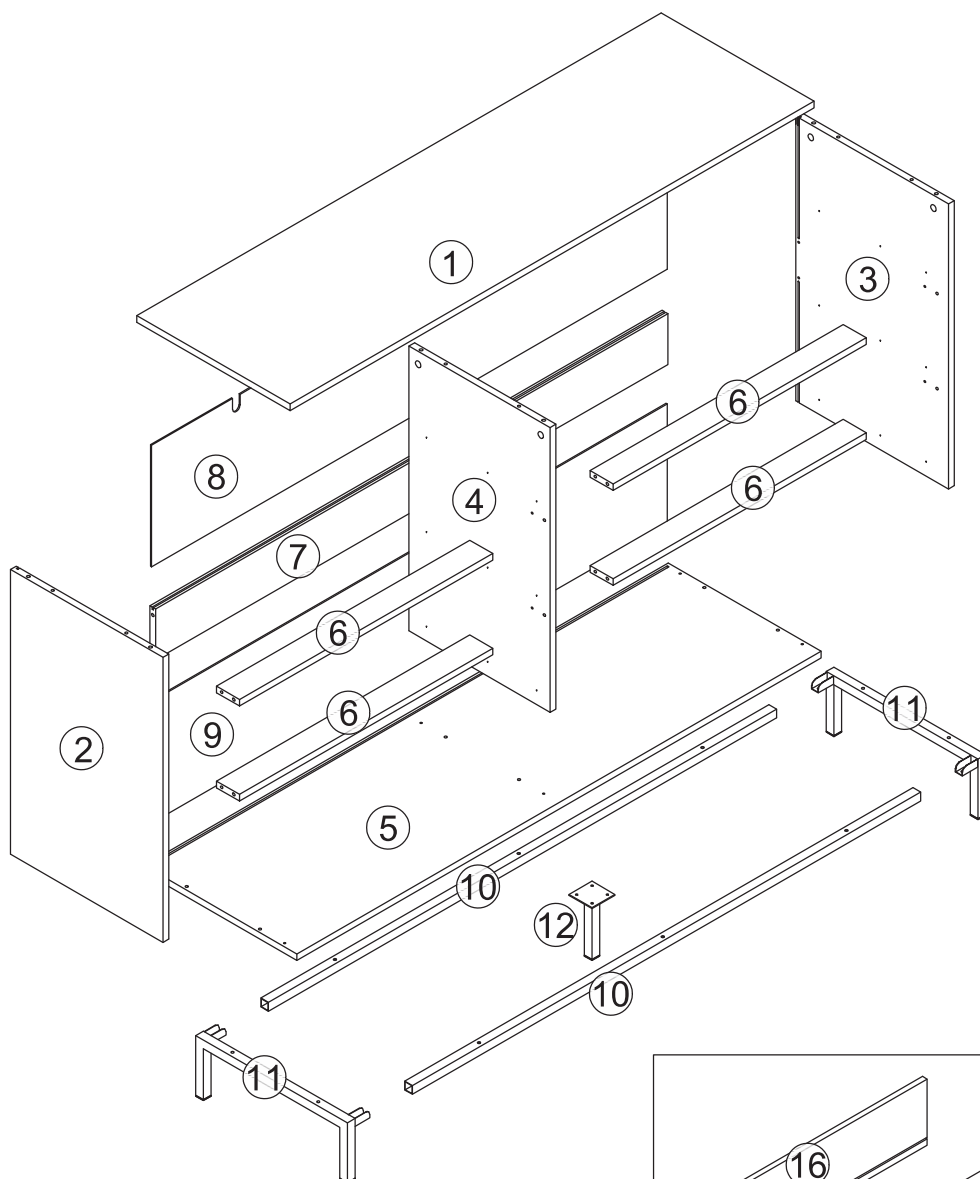
*Guests need to prepare their own :

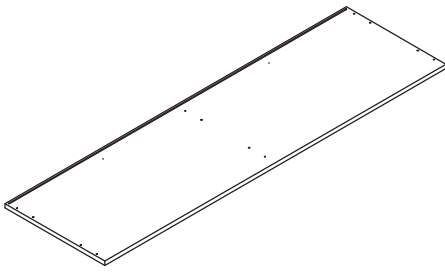


Phillips screwdriver

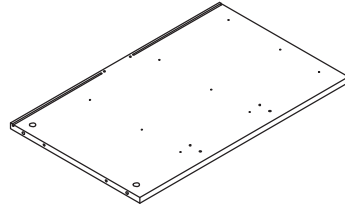


PARTS

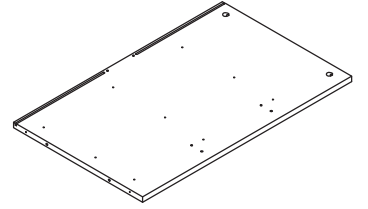




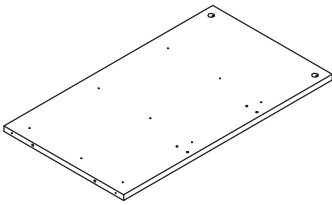
① x 1PC



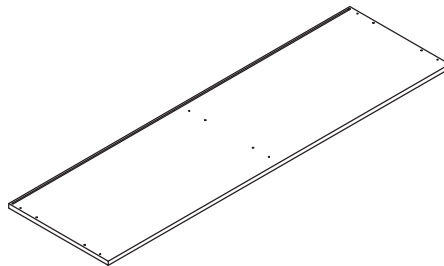
② x 1PC



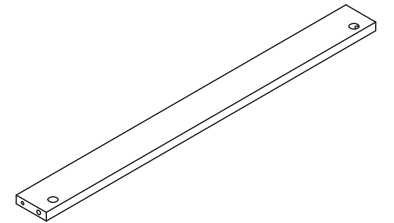
③ x 1PC



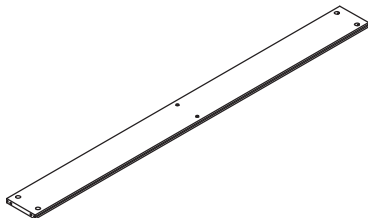
④ x 1PC



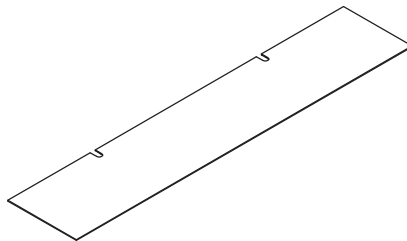
⑤ x 1PC



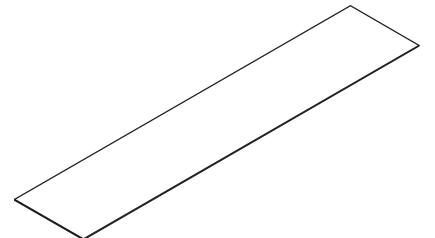
⑥ x 4PCS



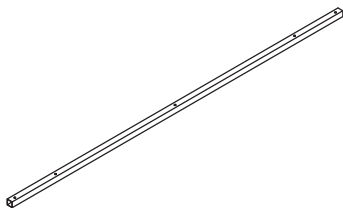
⑦ x 1PC



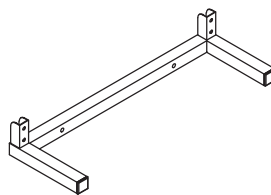
⑧ x 1PC



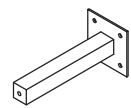
⑨ x 1PC



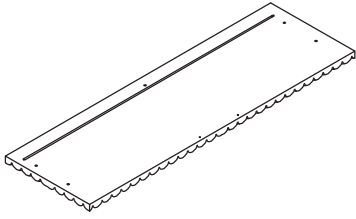
⑩ x 2PCS



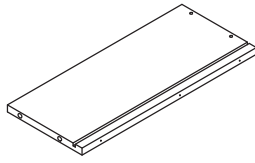
⑪ x 2PCS



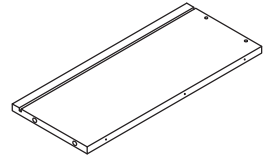
⑫ x 1PC



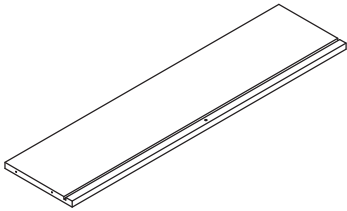
⑬ x 3PCS



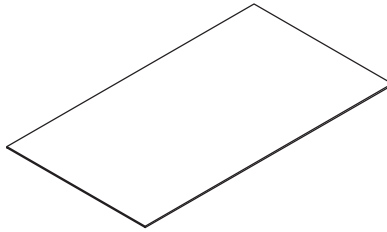
⑭ x 6PCS



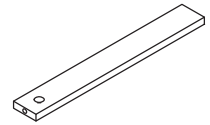
⑮ x 6PCS



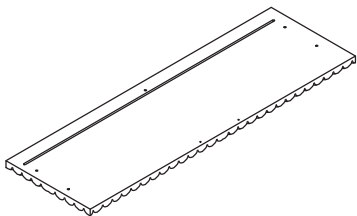
⑯ x 6PCS



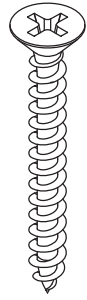
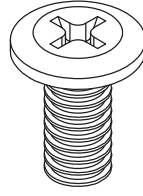
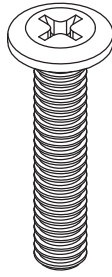
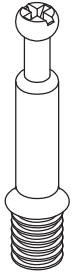
⑰ x 6PCS



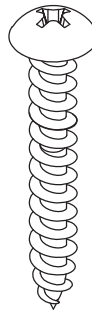
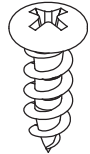
⑱ x 6PCS



⑲ x 3PCS



(A) 48X(+4) (B) 48X(+4) (C) 10X(+1) (D) 4X(+1) (E) 17X(+3) (F) 38X(+3)

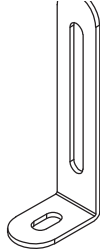


(G) 12X(+2) (H) 8X(+1) (I) 72X(+6) (J) 4X (K) 2X (L) 2X (R) 2X

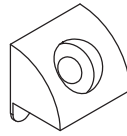
Scale 1:1



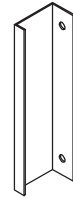
(M) 2X



(N) 2X



(O) 8X(+1)



(P) 6X



(Q) 1X



(CL) 6X



(CR) 6X






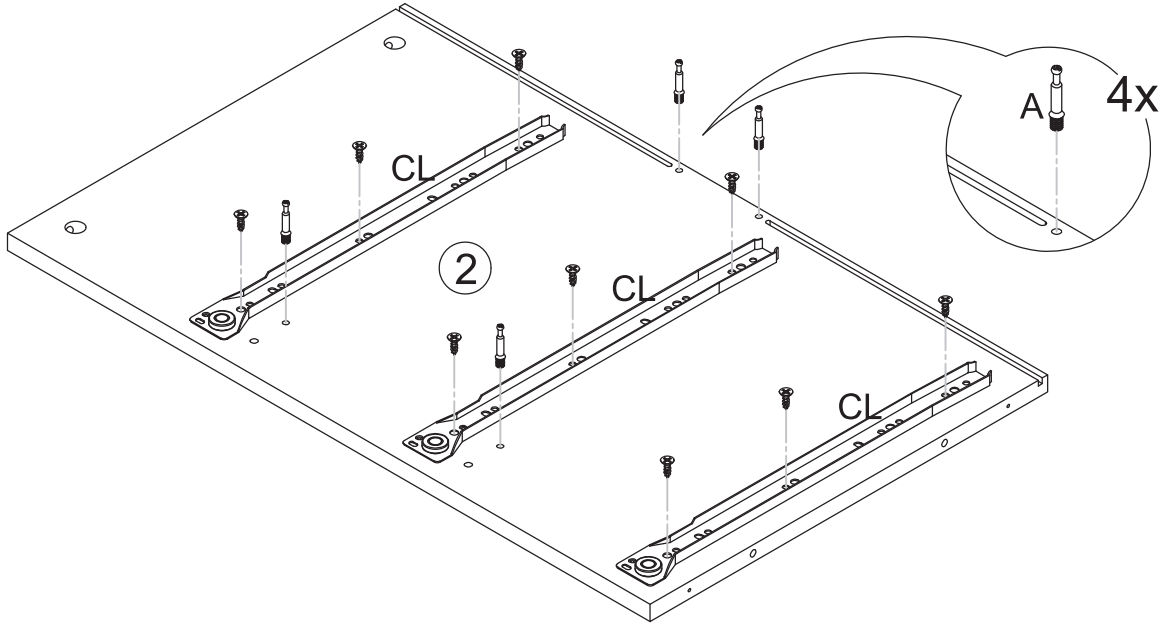
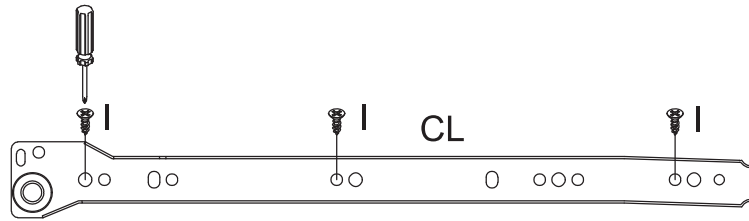
(DL) 6X






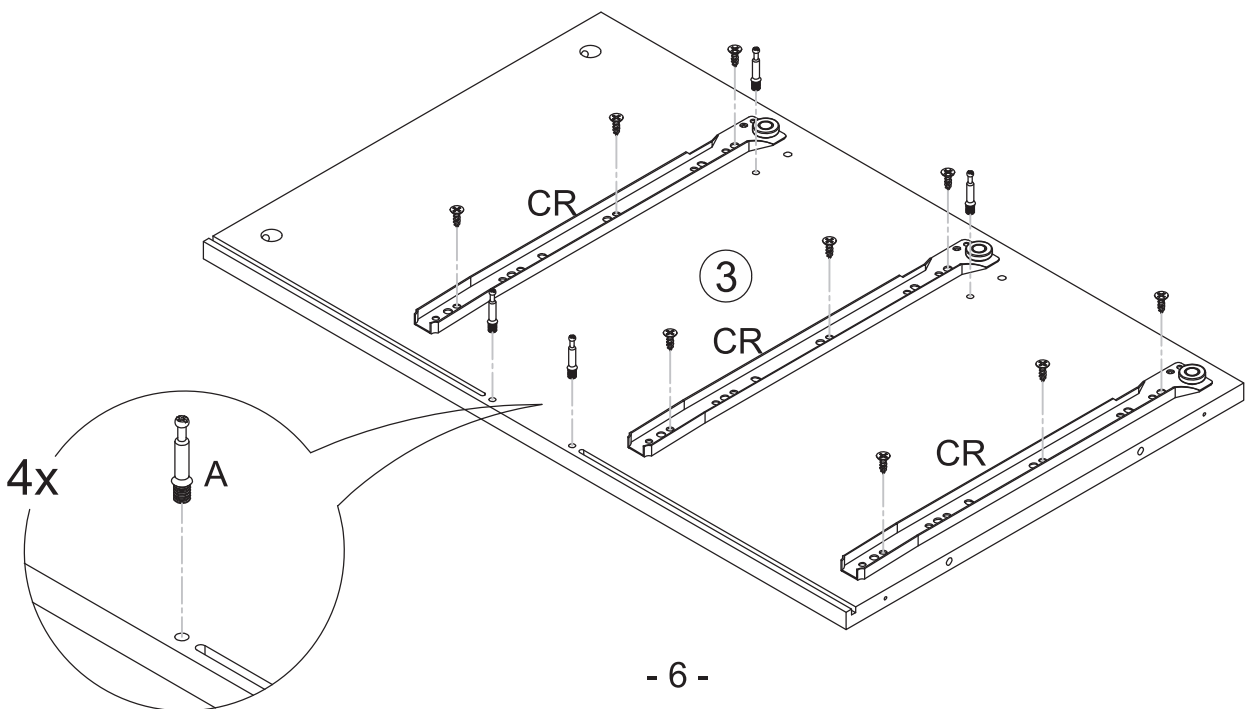
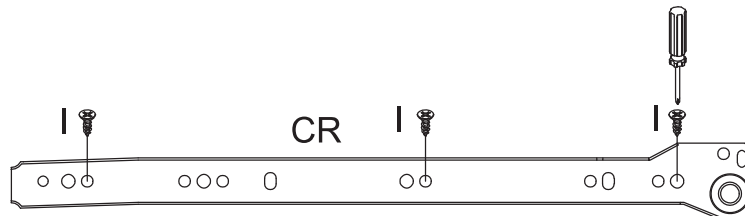
(DR) 6X





Note: Some screws include extra pieces for your convenience. Please keep them in case of future use.

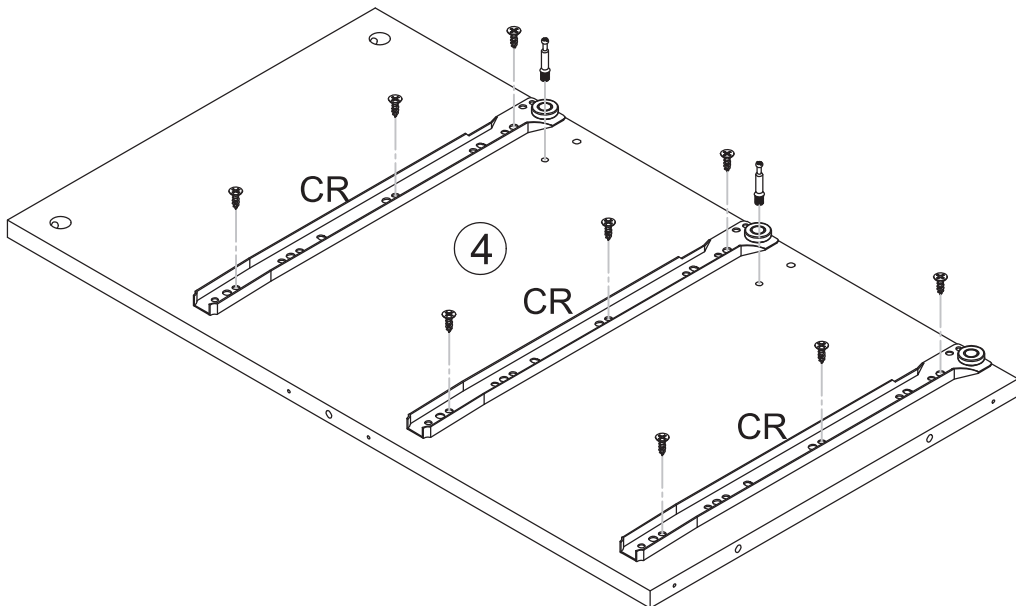
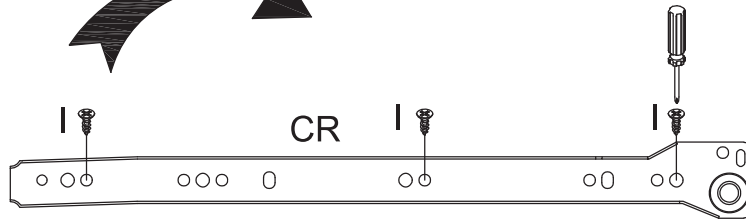
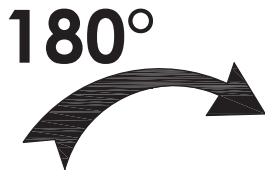
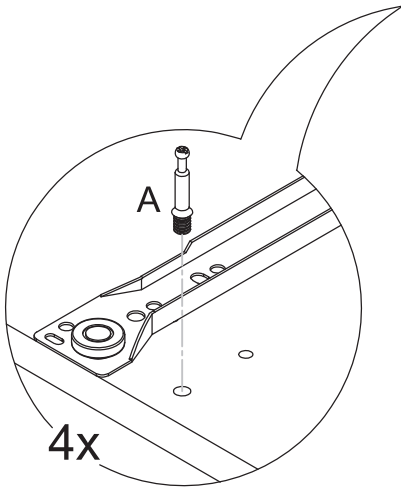
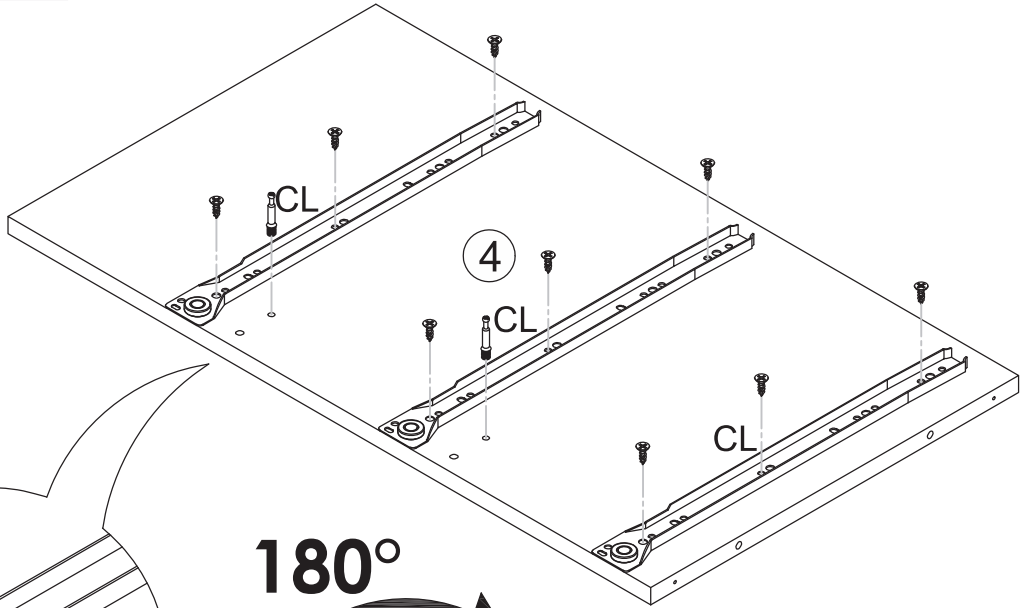
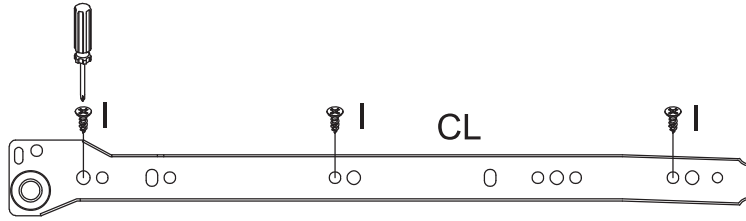
A	 M6X35	4
I	 M3X12	9
CL		3


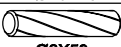


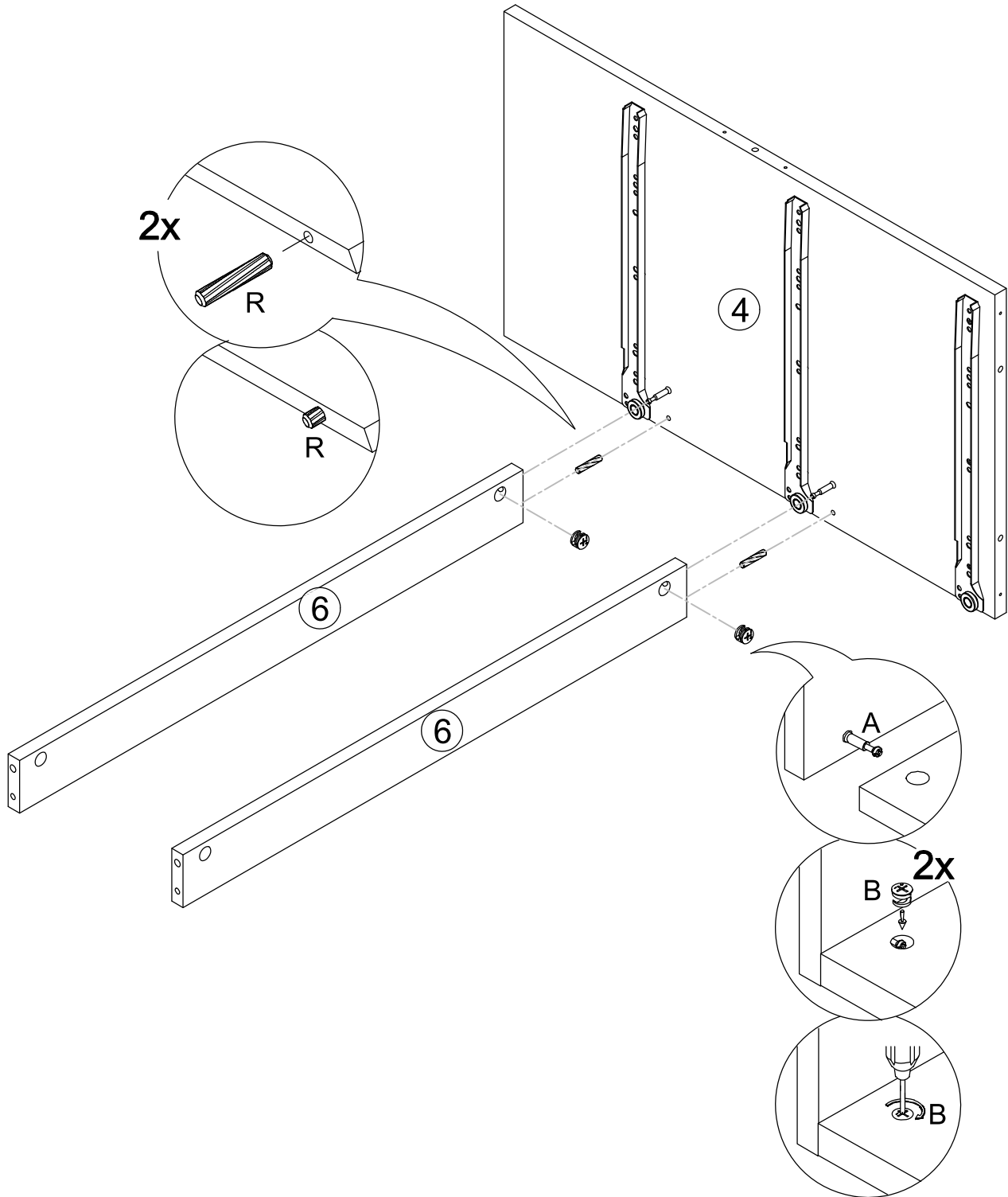
A	 M6X35	4
I	 M3X12	9
CR		3



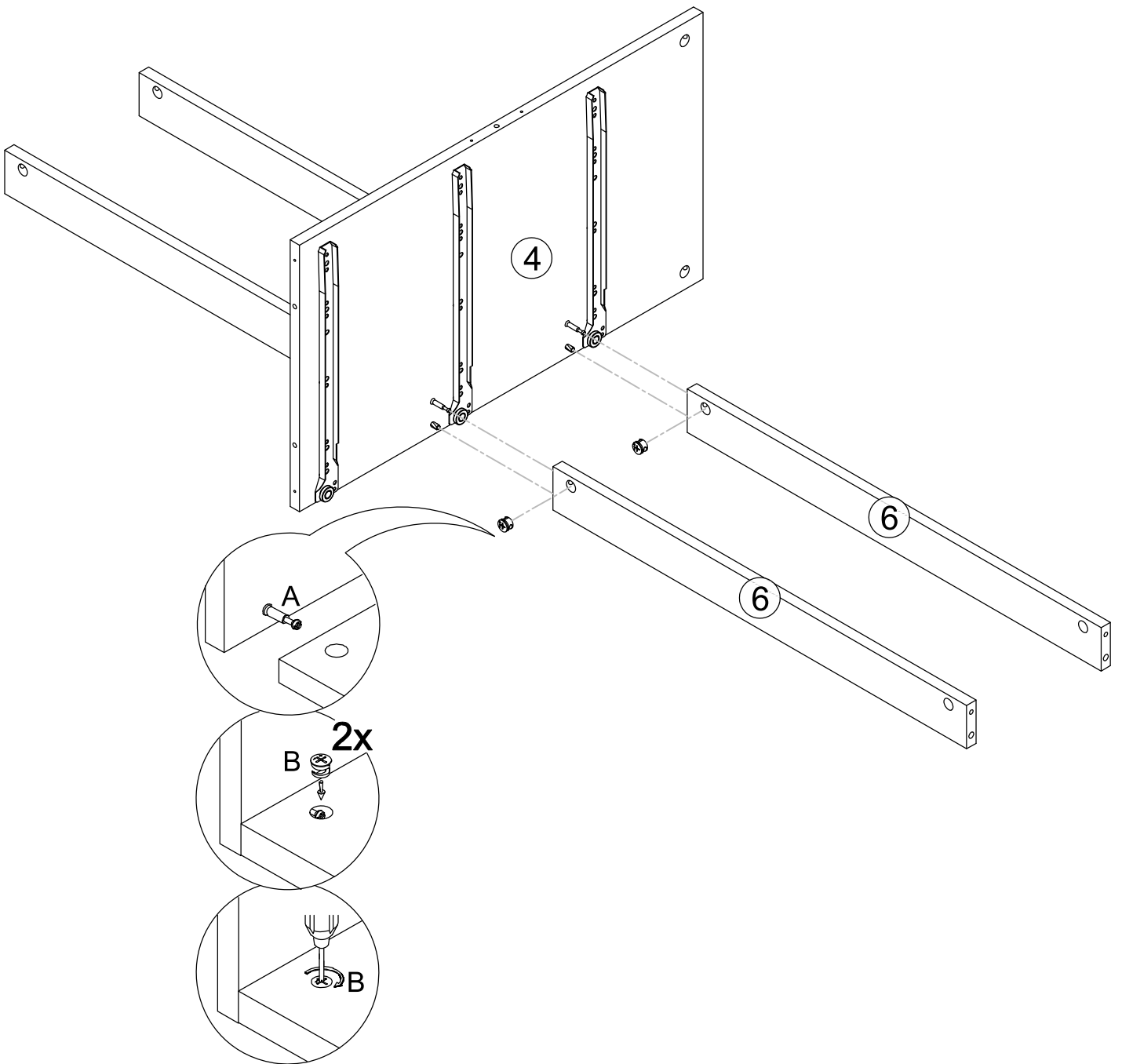
A	 M6X35	4
I	 M3X12	18
CL		3
CR		3





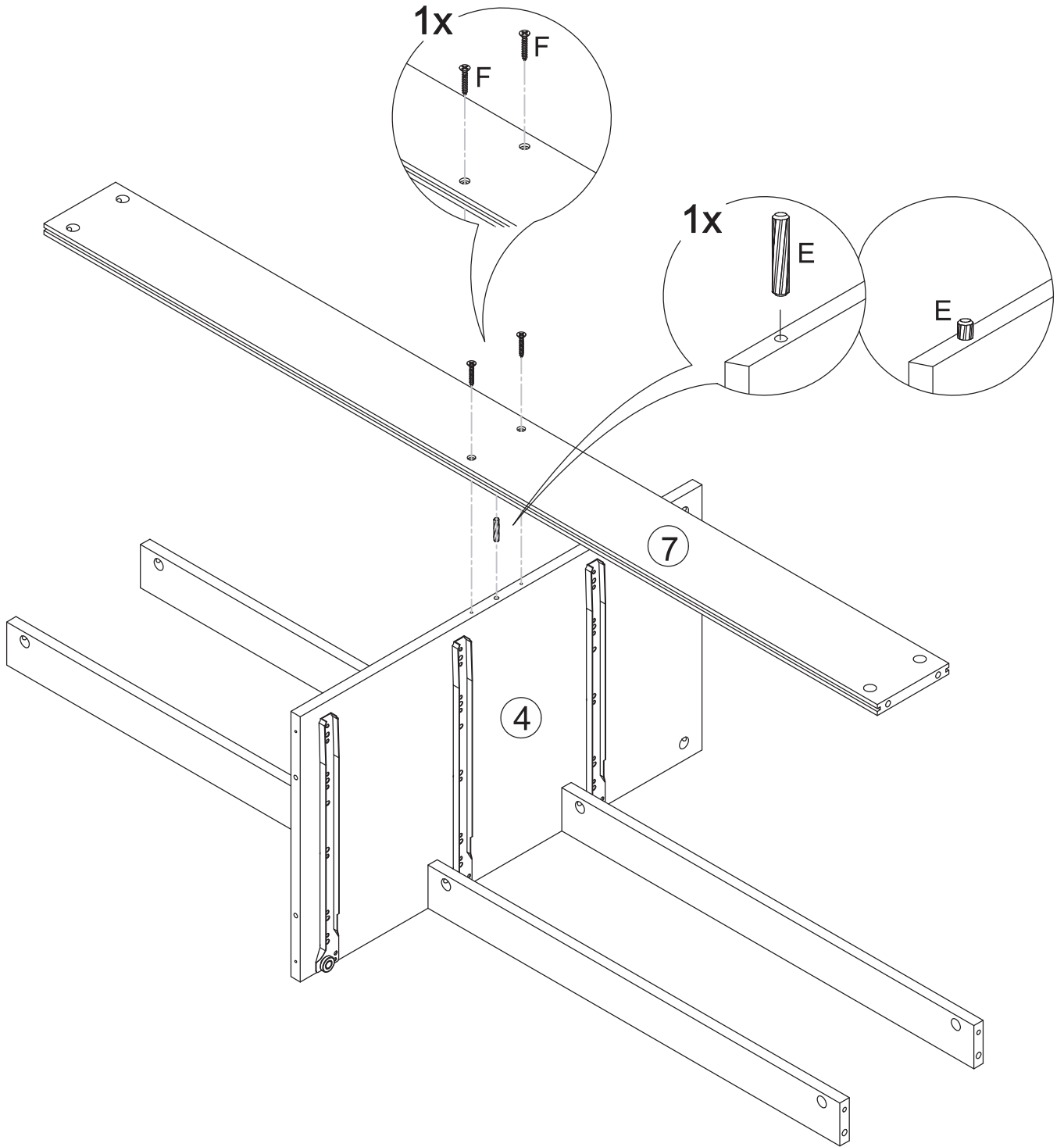
B	 Ø15X10	2
R	 Ø6X50	2





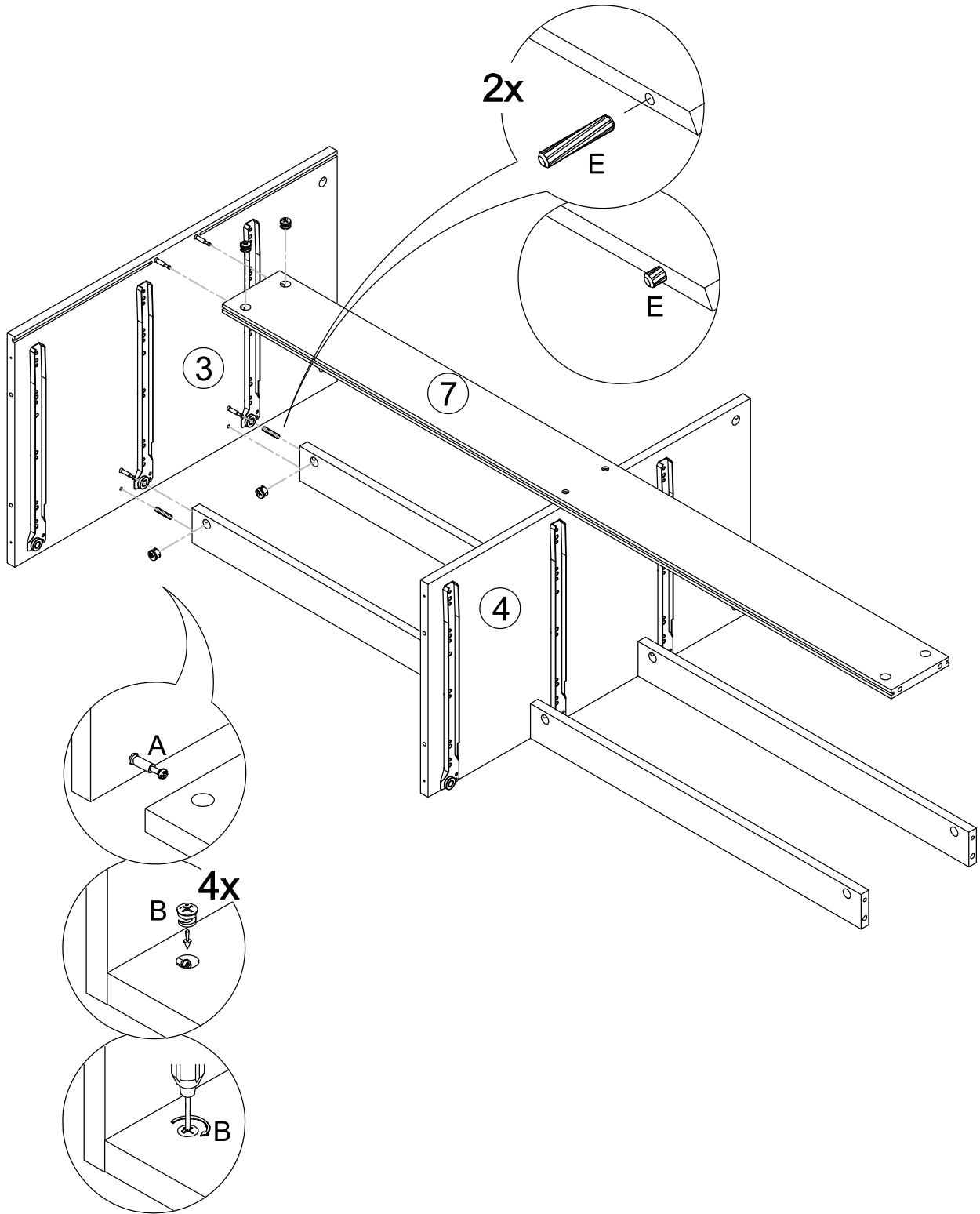
B	 Ø15X10	2
---	---	---





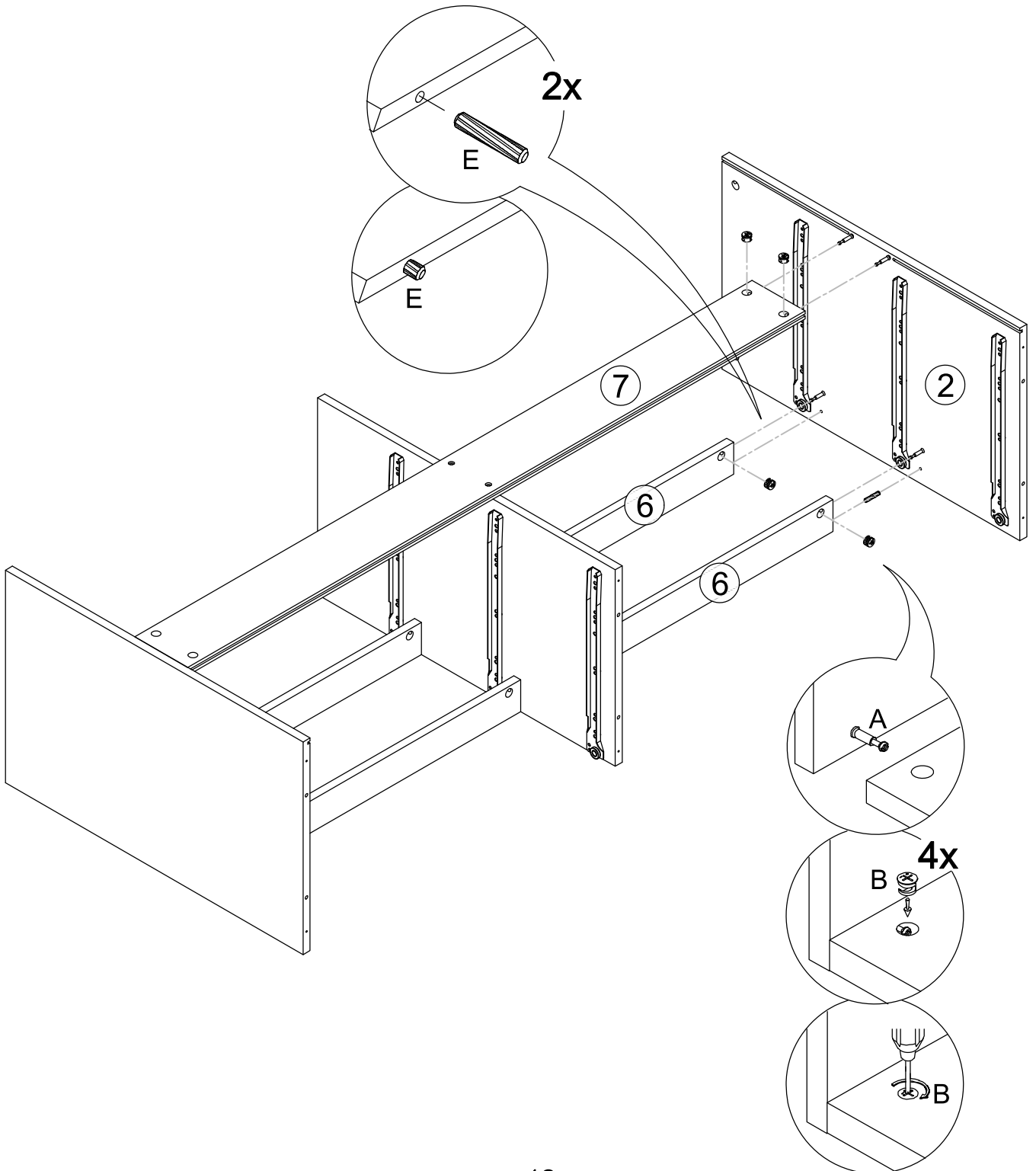
E	 Ø6X30	1
F	 M4X35	2

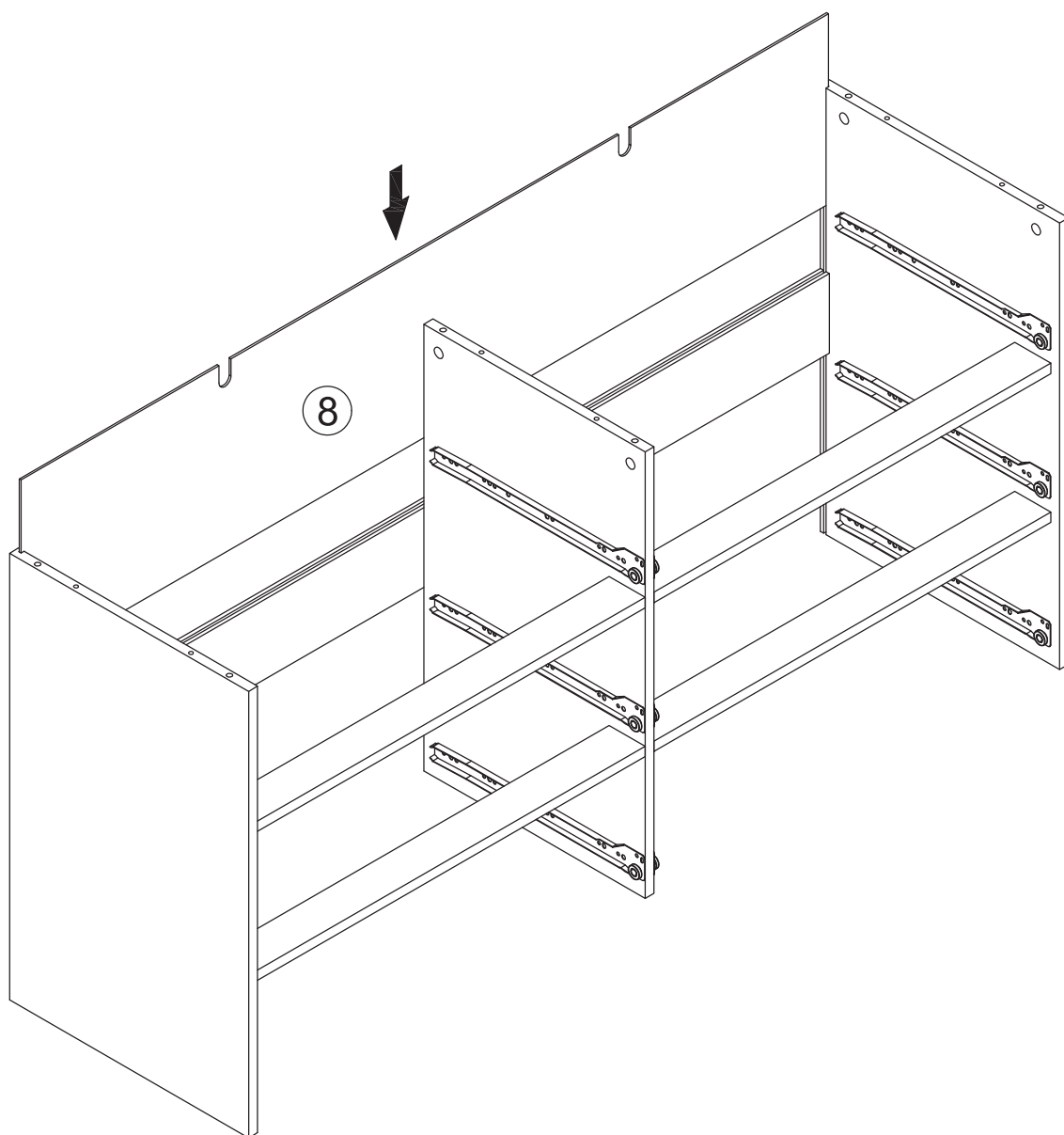





B	 Ø15X10	4
E	 Ø6X30	2



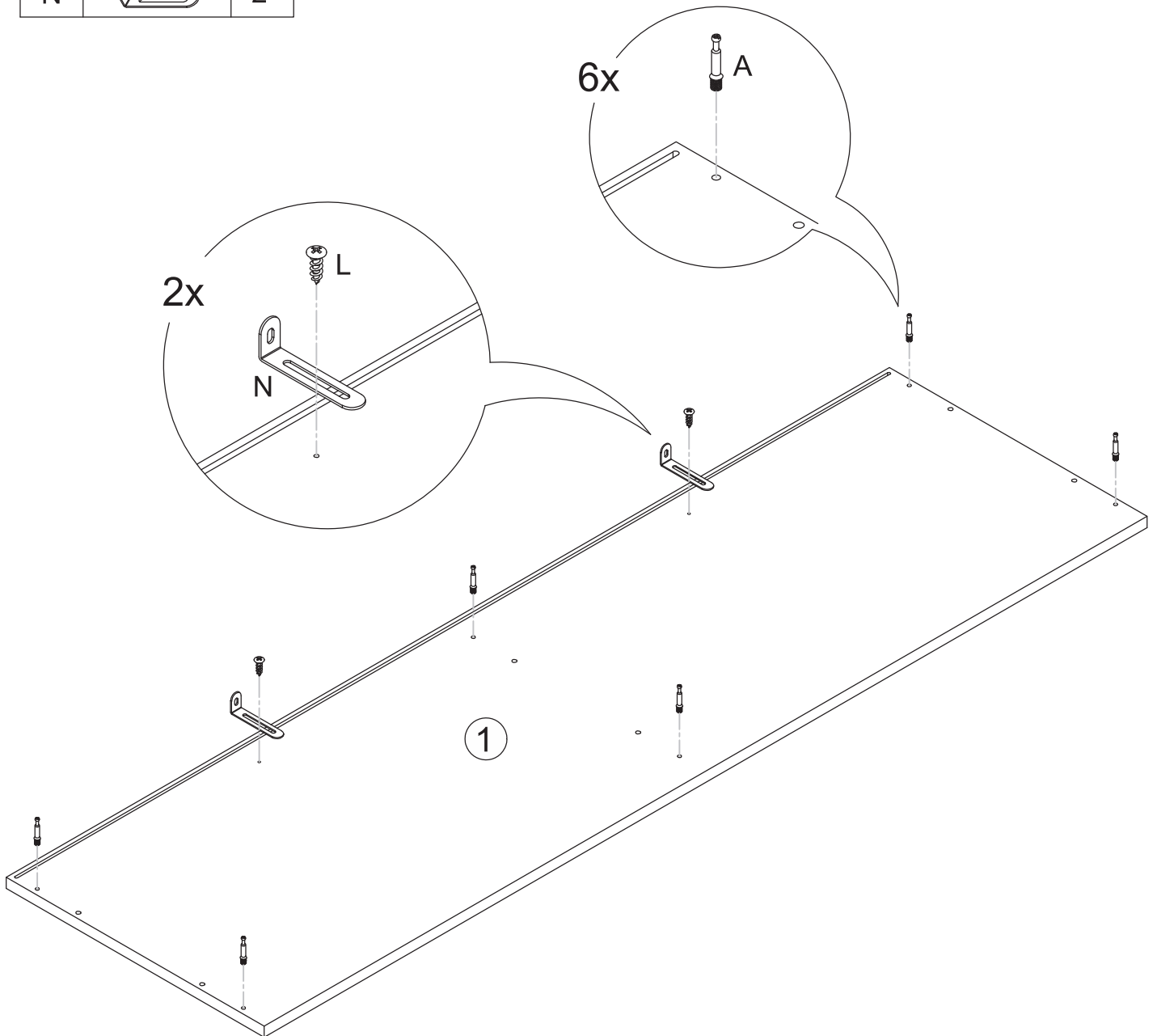
B	 Ø15X10	4
E	 Ø6X30	2





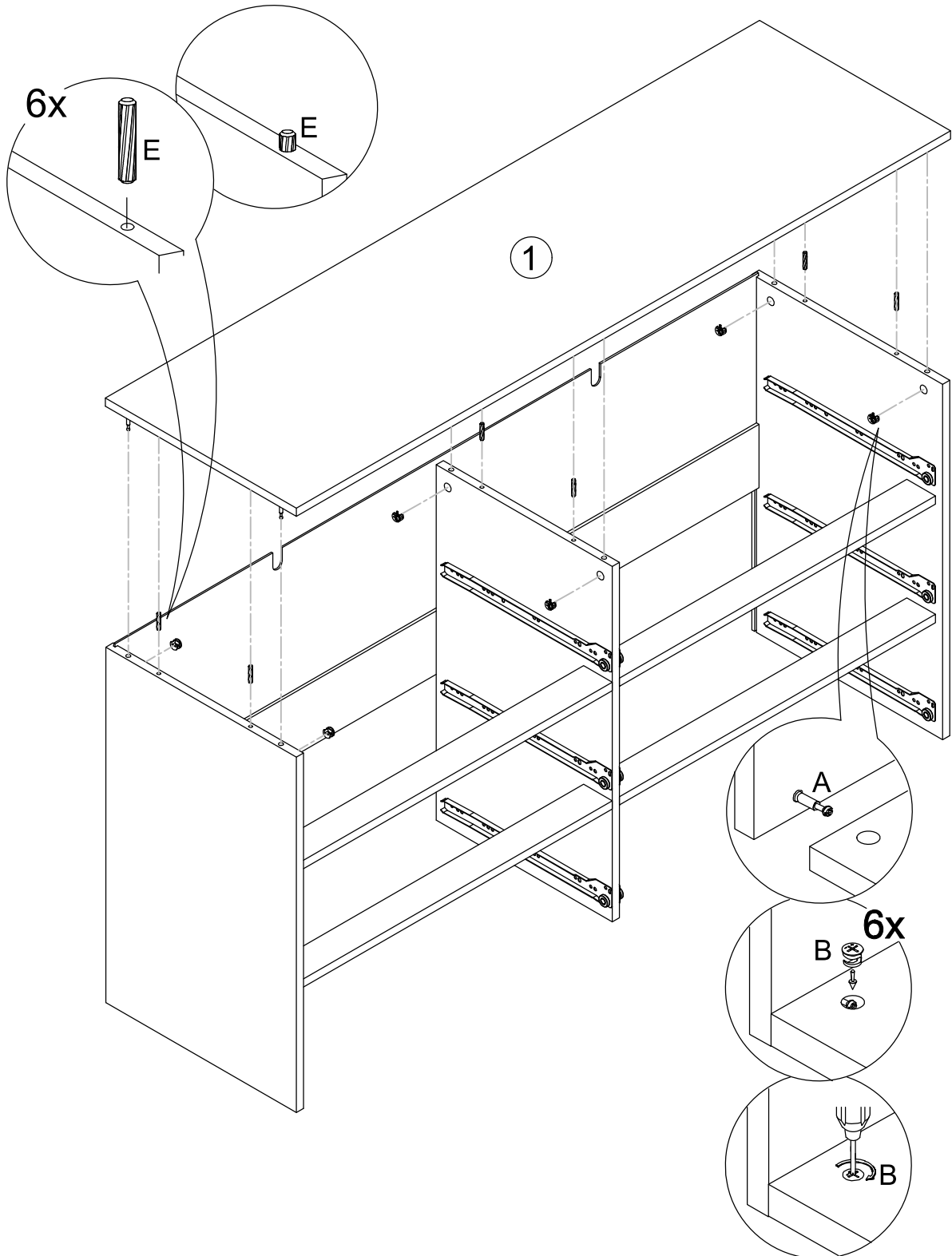


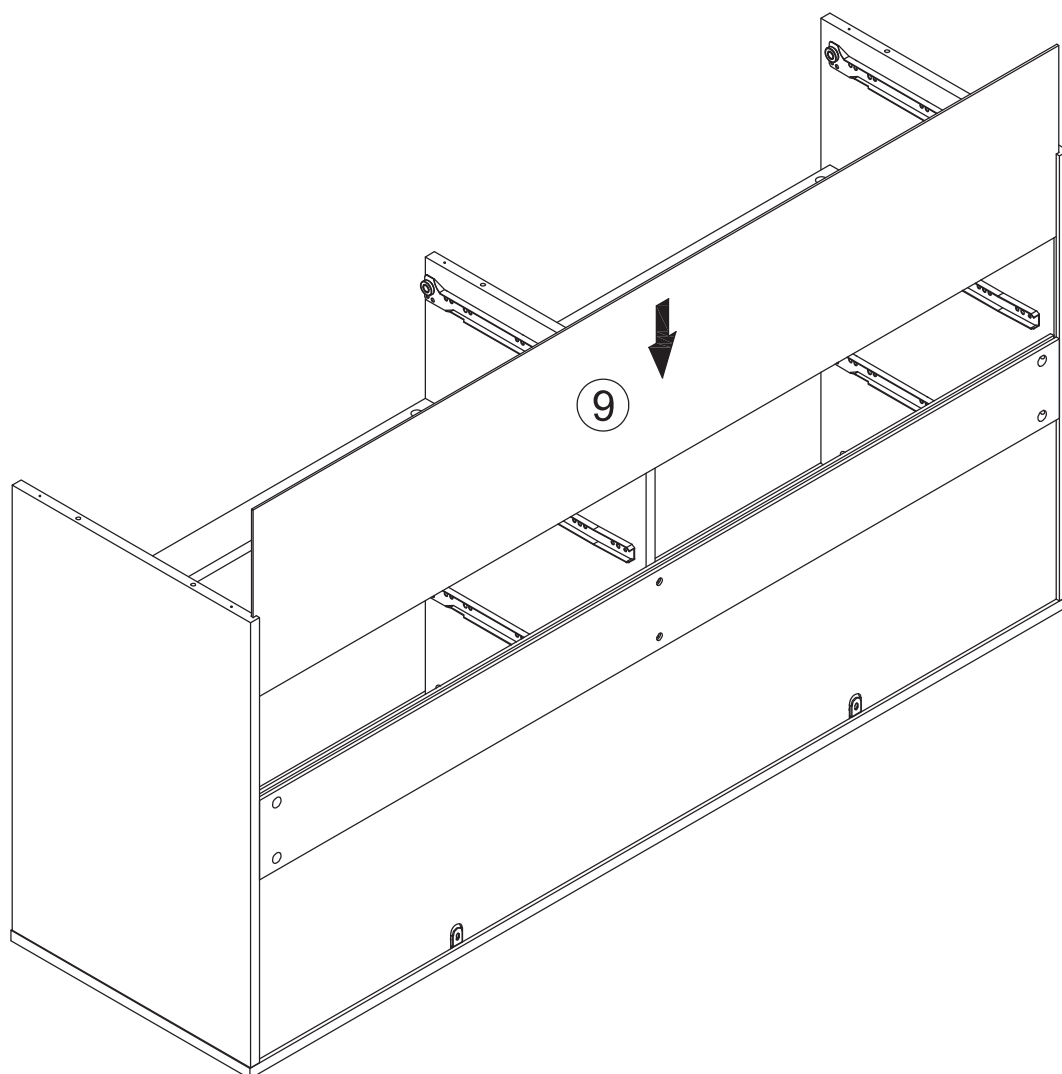
A	 M6X35	6
L	 M4X14	2
N		2



Secure the long side of the 'N'shaped metal plate to Board
 ① using one short 'L'screw.

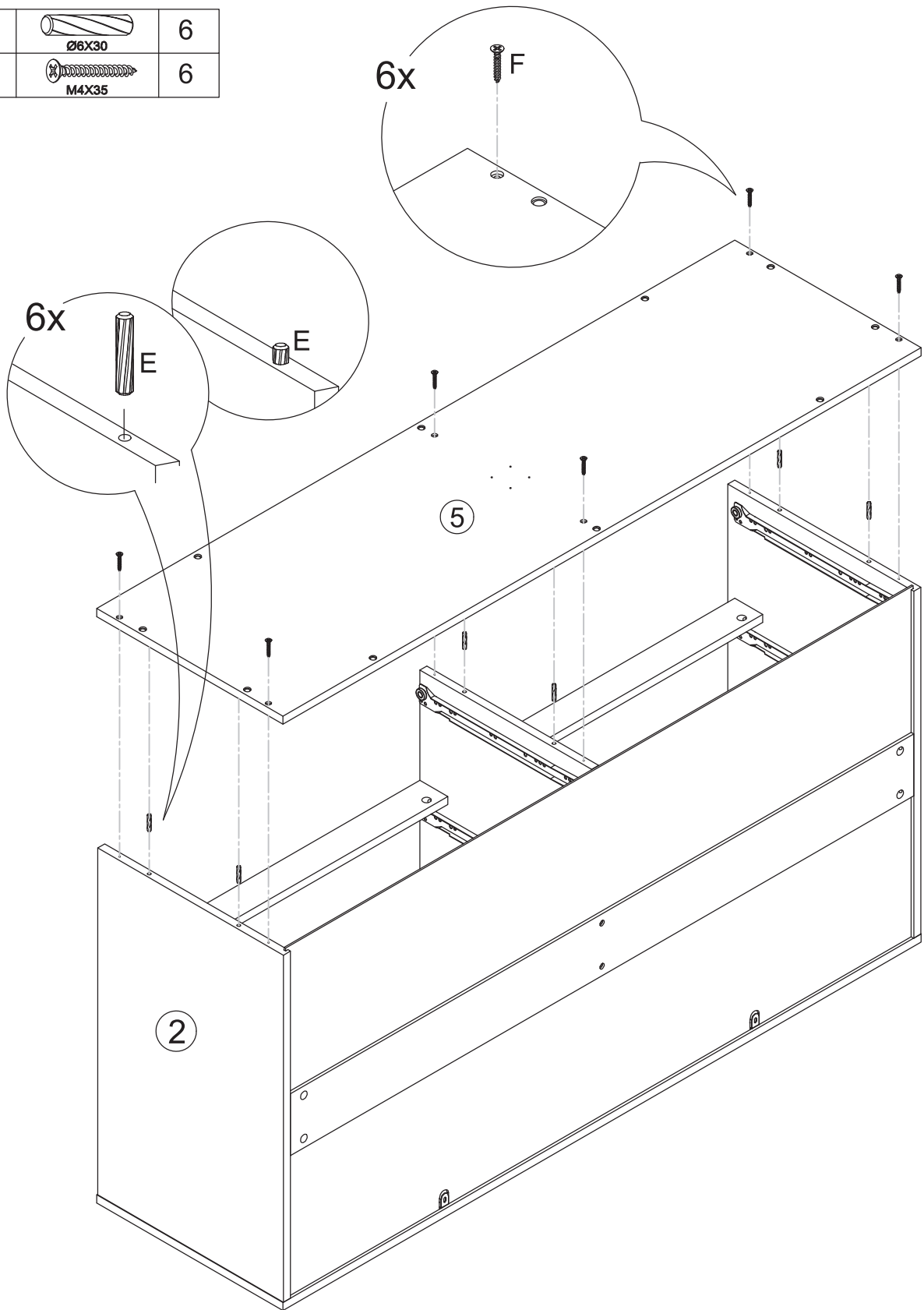


B	 Ø15X10	6
E	 Ø6X30	6

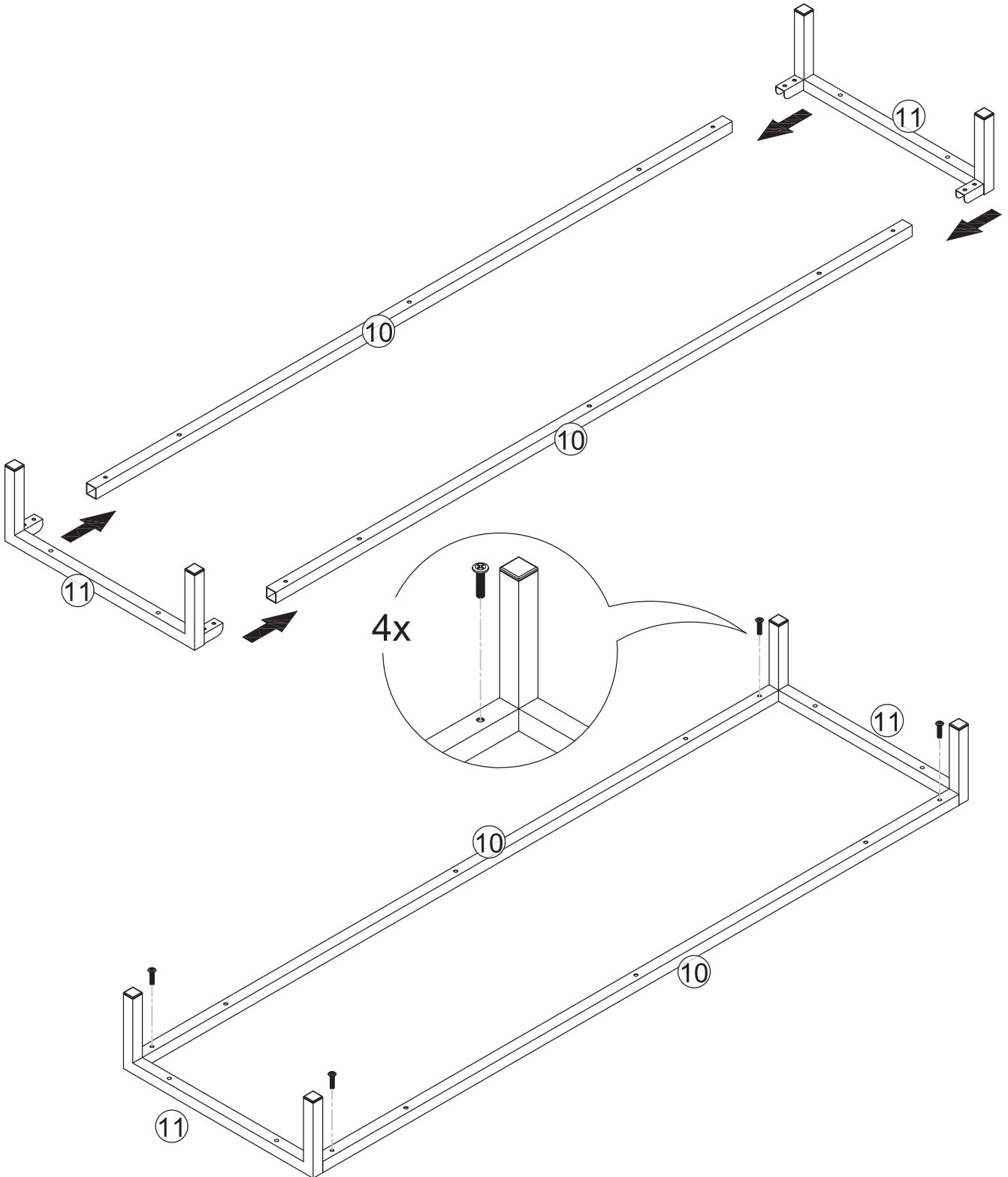







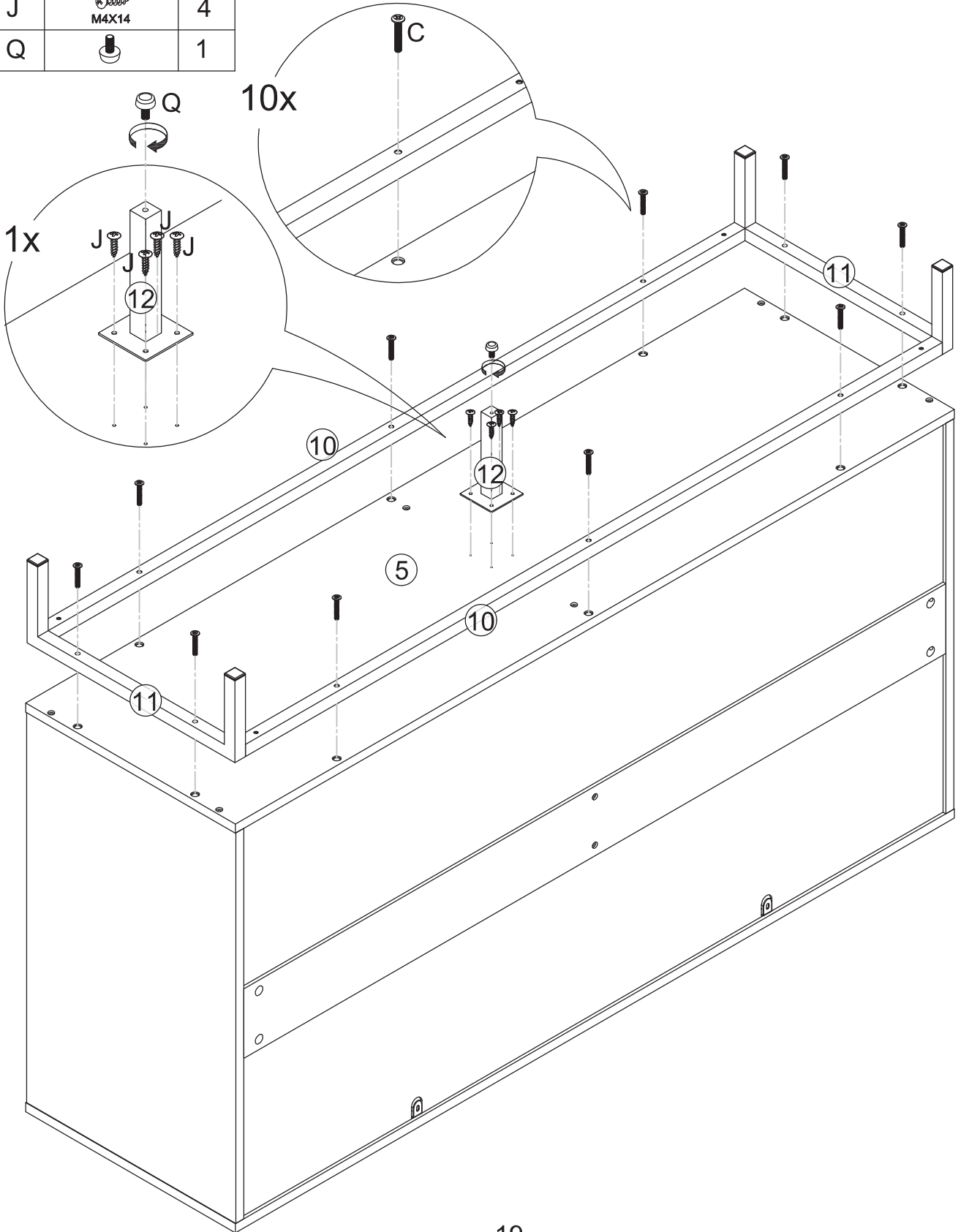
E	 Ø6X30	6
F	 M4X35	6





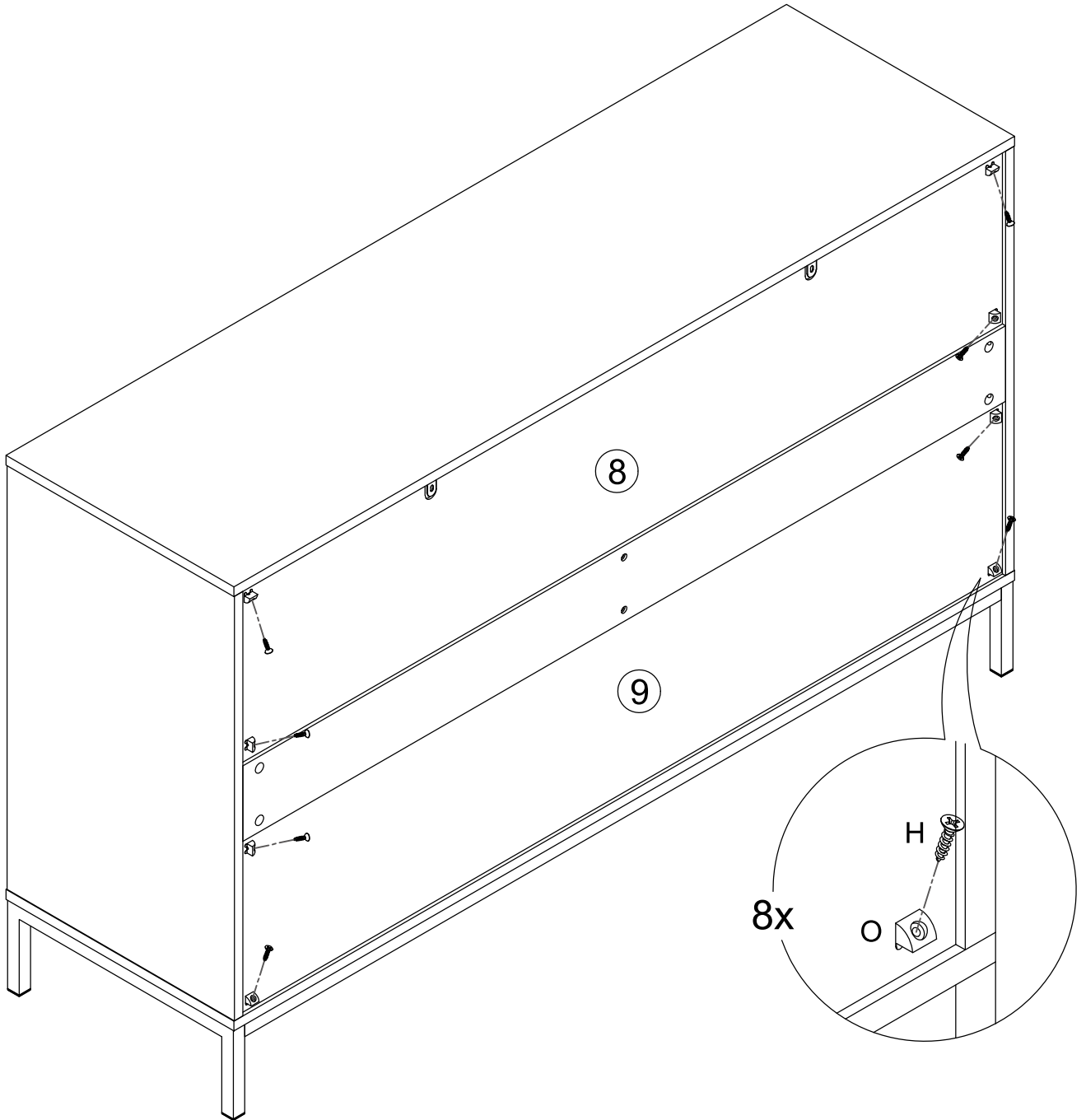
D	 M6X14	4
---	--	---

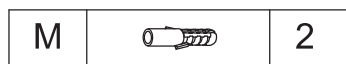


C	 M6X30	10
J	 M4X14	4
Q		1

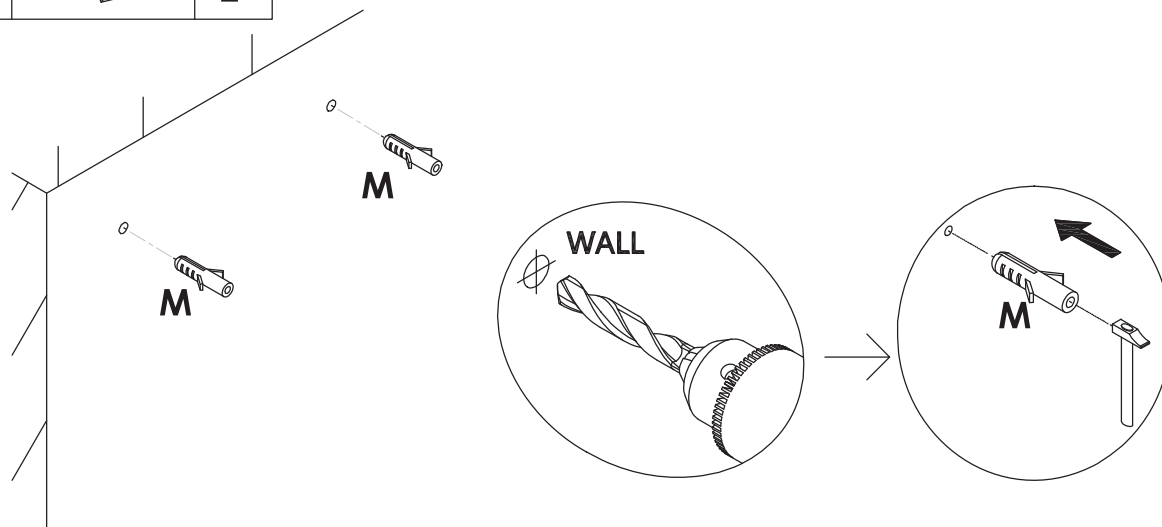


H	 M3X14	8
O		8

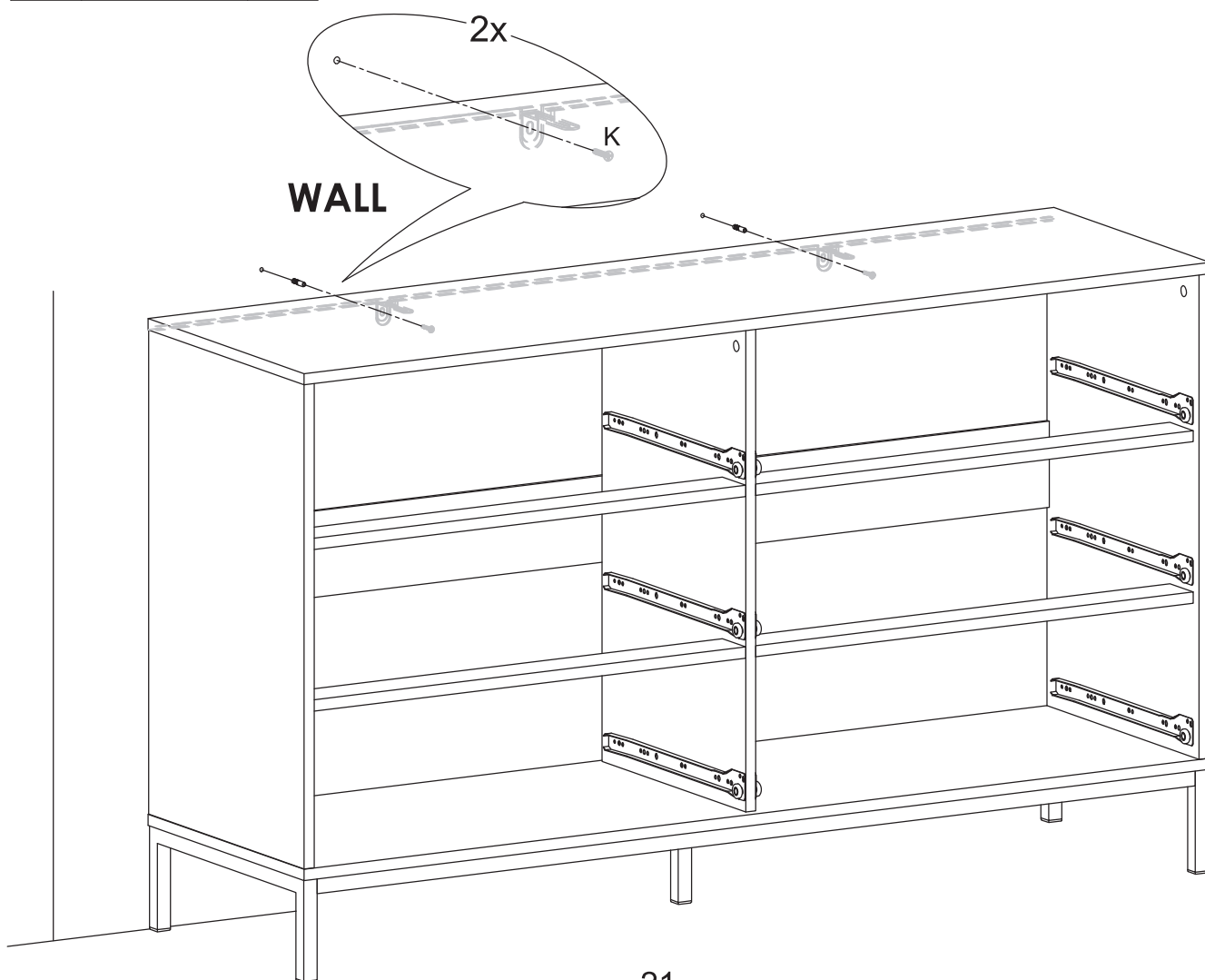




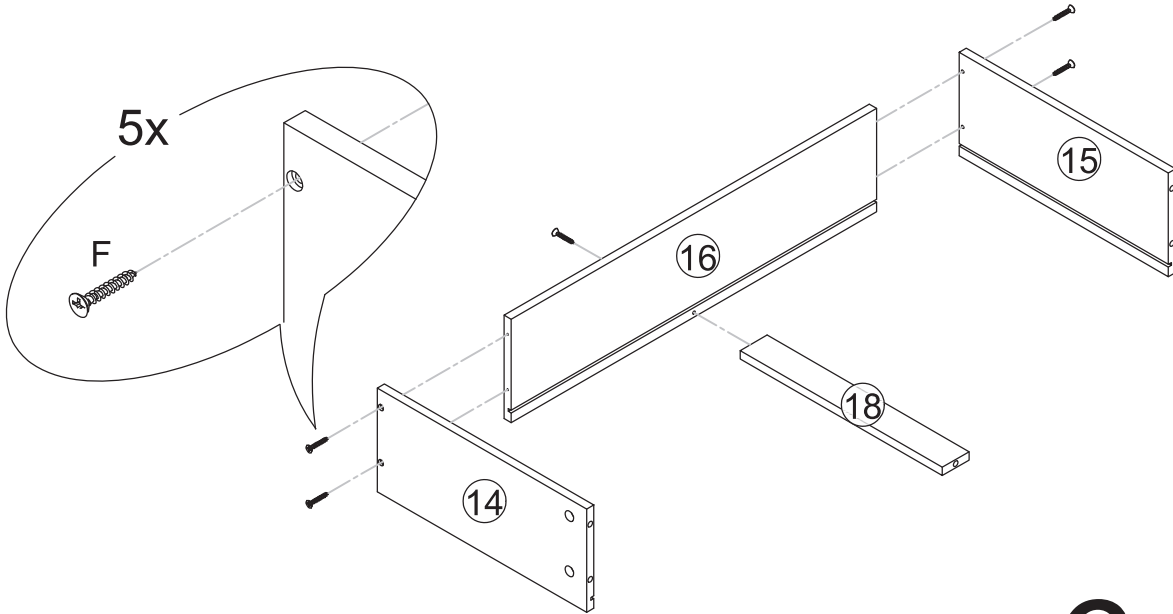
Drill two holes in the wall at the marked position for installing the anti-tip device.



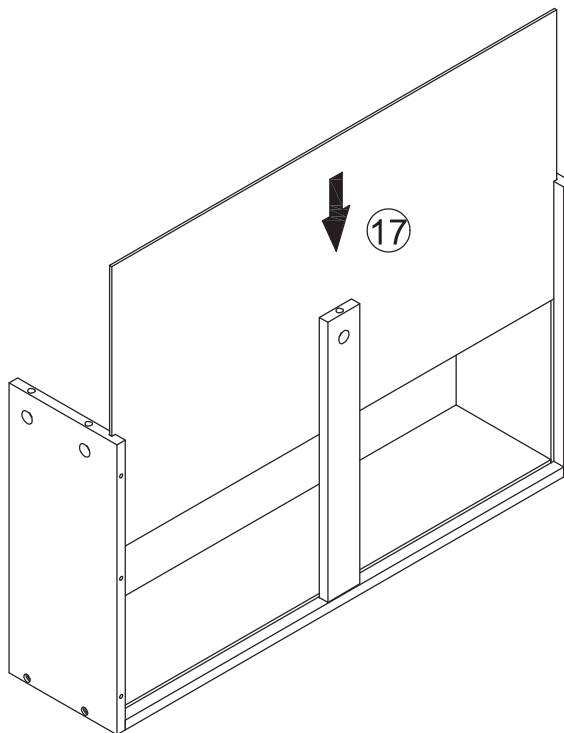
Place the dresser in the desired position, then use screw K to anchor it securely to the wall.





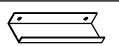
F	 M4X35	30
---	---	----

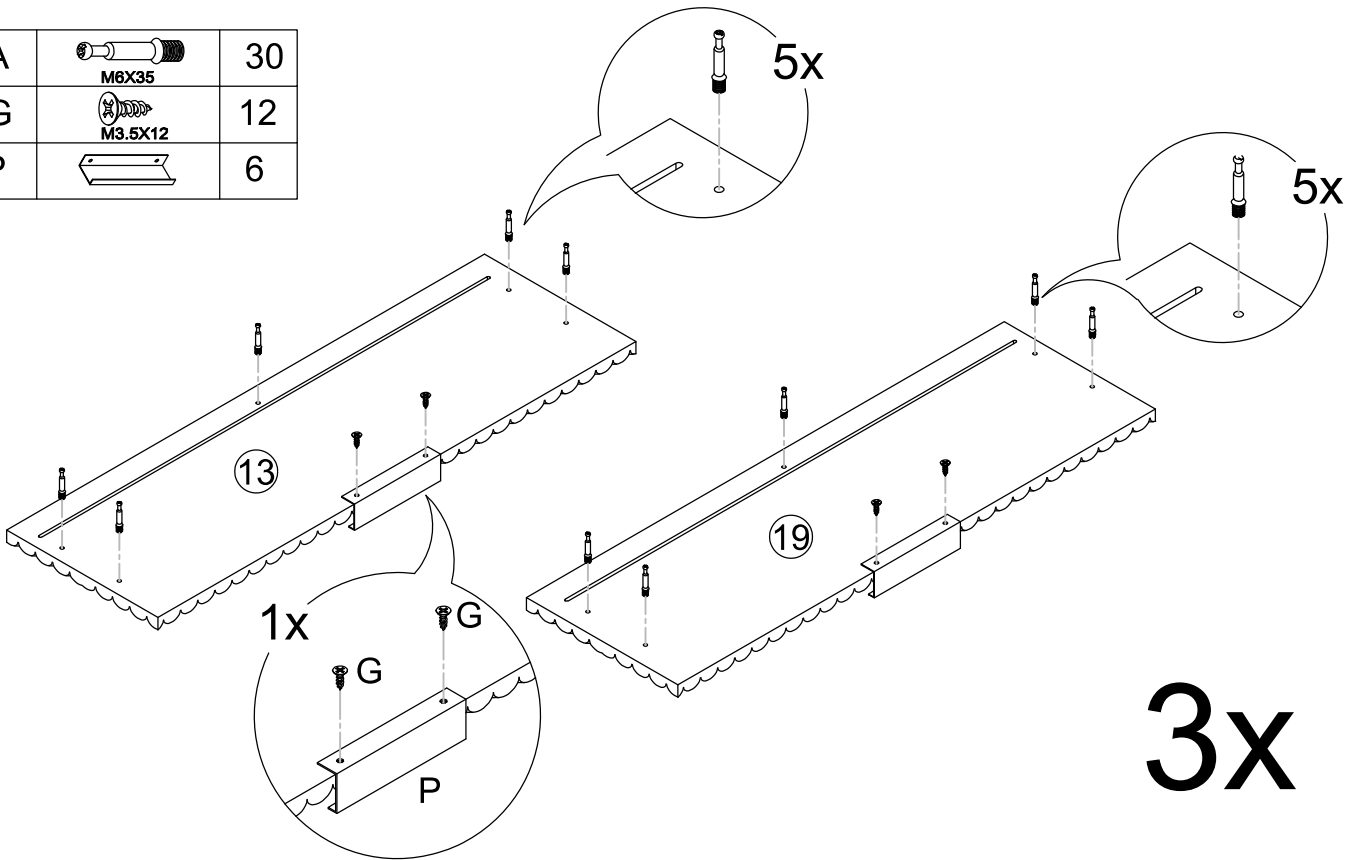


6x

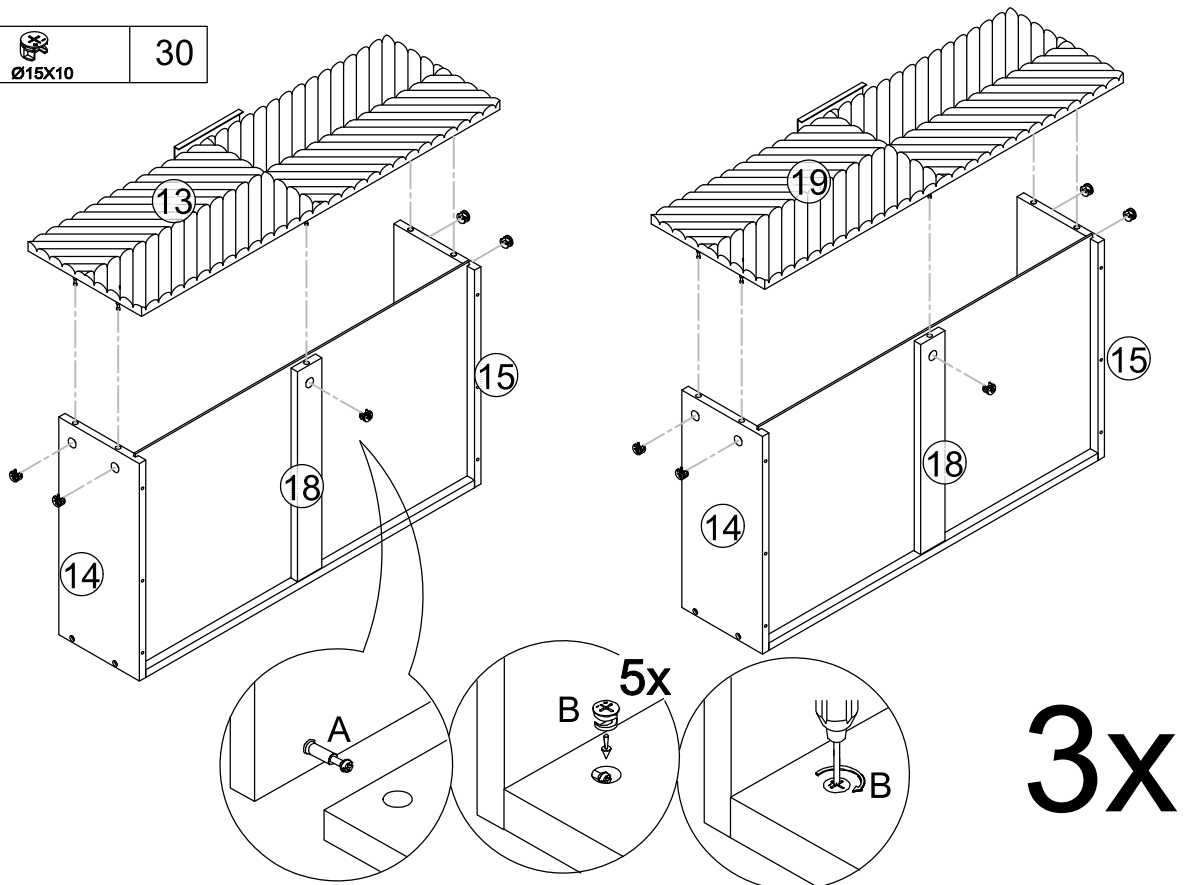



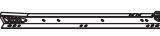

6x

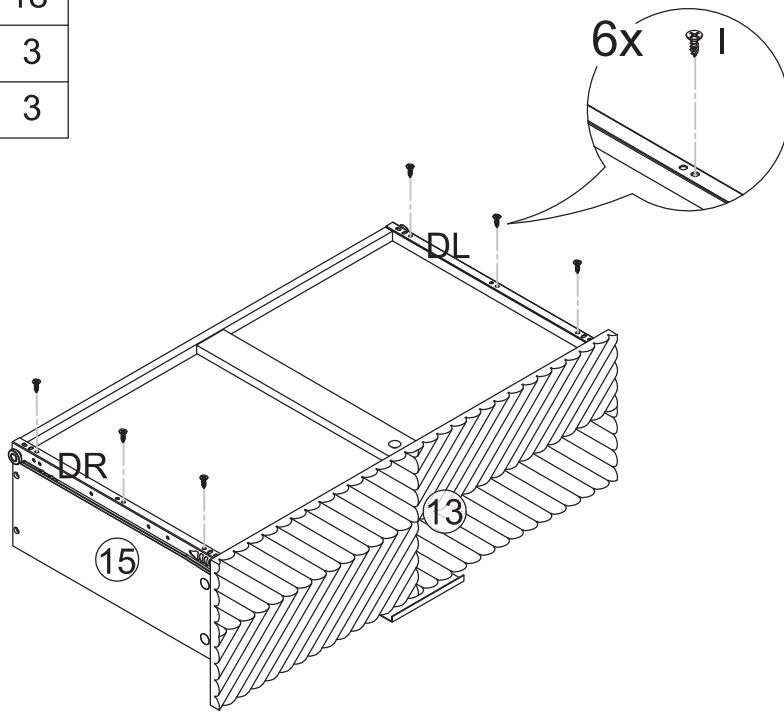
A	 M6X35	30
G	 M3.5X12	12
P		6




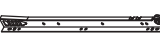
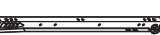
B	 Ø15X10	30
---	--	----

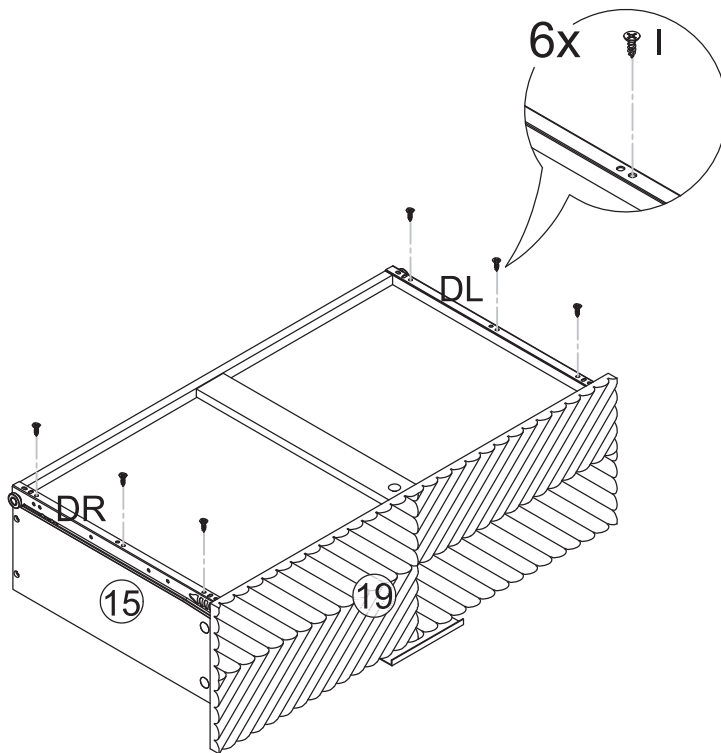


I	 M3X12	18
DL		3
DR		3

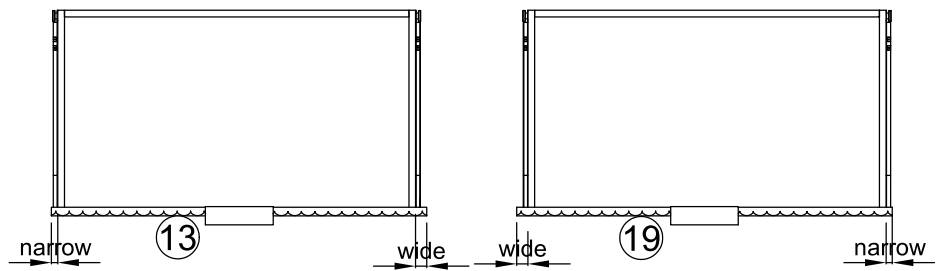
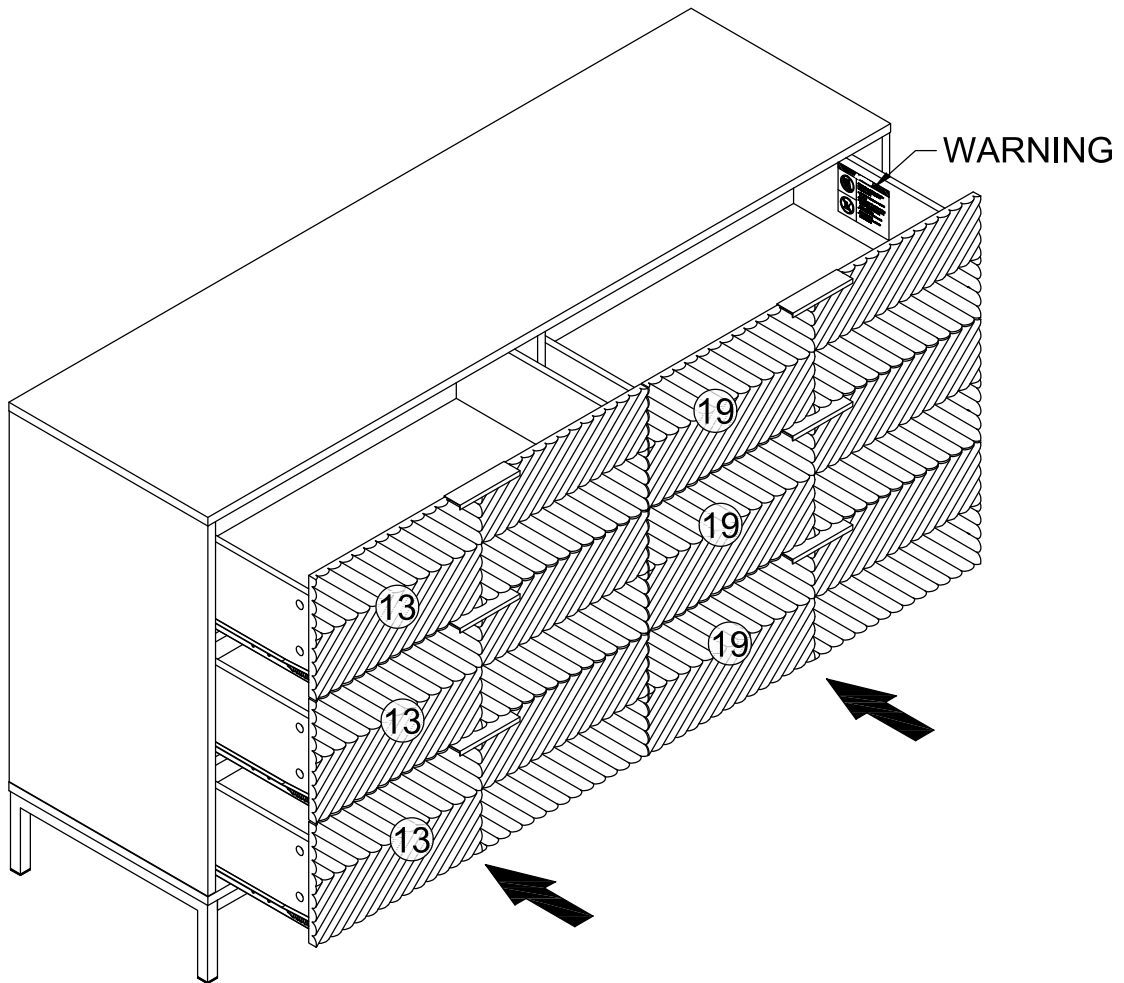


3x

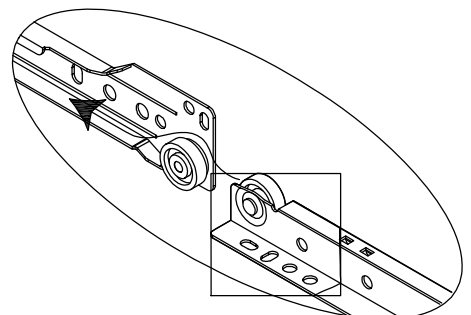
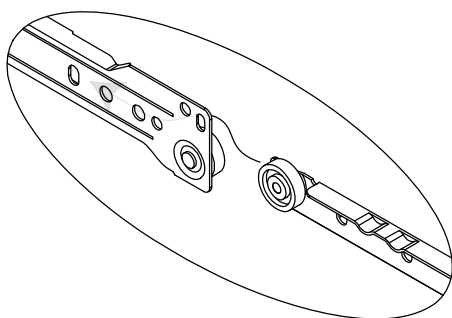
I	 M3X12	18
DL		3
DR		3





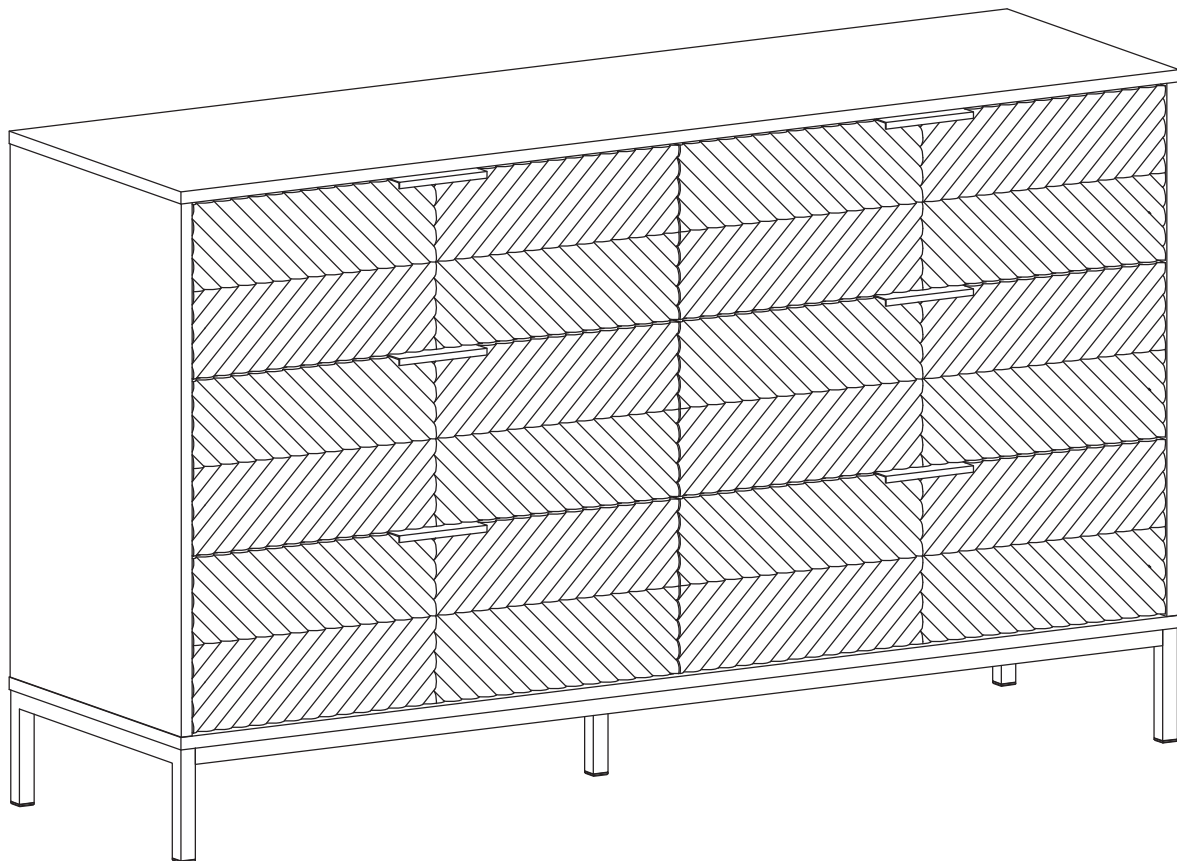
3x



Make sure parts #13 are for the left drawer and #19 are for the right drawer.



⚠ WARNING	
	<p>Children have died from furniture tipover. To reduce the risk of furniture tipover:</p> <ul style="list-style-type: none">• ALWAYS install tipover restraint provided.• NEVER put a TV on this product.• NEVER allow children to stand, climb or hang on drawers, doors, or shelves.• NEVER open more than one drawer at a time.• Place heaviest items in the lowest drawers.
	<p style="text-align: center;">This is a permanent label. Do not remove!</p>



SAFETY FIRST, STYLE ALWAYS

Thank you for choosing our products. To ensure safety and performance, please follow these instructions:

- **Assembly:** Carefully follow instructions and tighten all parts.
- **Intended Use:** Use furniture as intended and adhere to weight limits.
- **Handling:** Move gently and check for loose parts regularly.
- **Tipping:** Tall or unstable furniture may tip over if not secured, especially in homes with children or pets.
- **Overloading:** Exceeding weight limits can lead to collapse or damage.
- **Sharp Edges:** Handle furniture with sharp corners carefully, especially around children.

MAINTENANCE & CLEANING TIPS

- **Regular Cleaning:** Use a soft, dry cloth to wipe the surface of cabinet regularly. Avoid harsh chemical cleaners.
- **Protect from Sunlight:** Keep cabinet out of direct sunlight to prevent damage to the material and finish.

DON'T WORRY, WE'VE GOT YOUR BACK.

We don't just sell furniture — we're here for the long haul! If you run into any issues due to manufacturing defects or material problems, we offer a 1-year warranty. That means we'll replace any faulty parts for free — no hassle.