

PRODUCT CARE

HANDBOOK

a guide to protect your product

Installation & Assembly



Made of 100%
recyclable materials



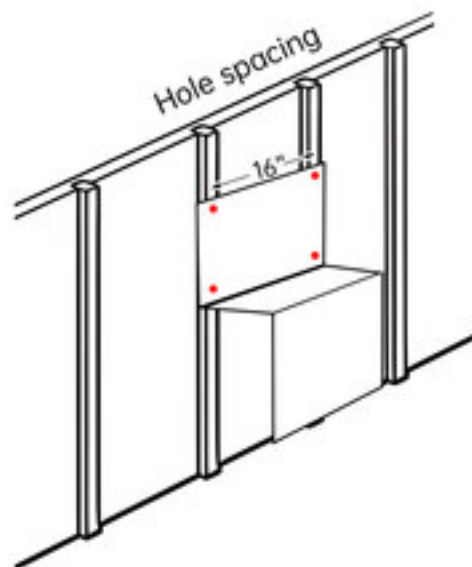
Installation consideration for different walls:

Drywall

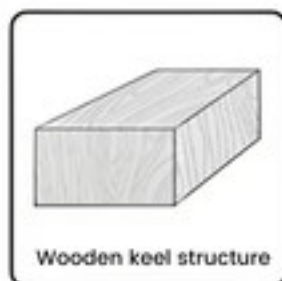
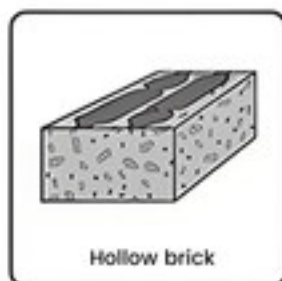
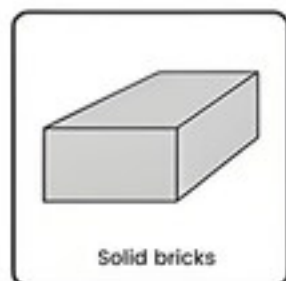


1/2-inch drywall is the most common thickness for the 16-inch on-center interior walls in most homes. This product is suitable for 1/2 - inch drywall. For installation, please be sure to check the position of the inner frame in the wall first.

Screws MUST be attached to wood/mild steel framing on 16- inch centers.

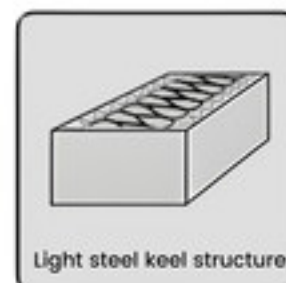


Solid vs. hollow bricks, Wooden walls



*Only the small size(16.9-inch) can be installed on solid and hollowbrick walls. (Thickness≥4.5-inch)

Other walls with hard texture, eg. light steel walls



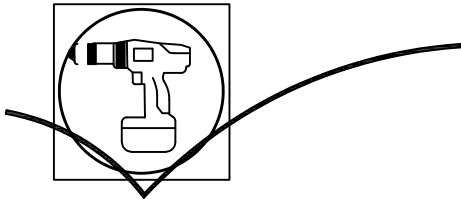
Thickness≥4.5-inch

Please purchasing Aircraft plastic expansion tube and screw, for hard texture walls

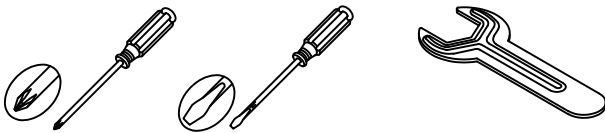
Thank you for purchasing this product. Please read these instructions fully before starting assembly, then follow the simple step by step guide.

TOP TIPS BEFORE YOU START!

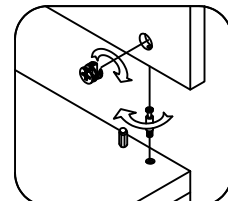
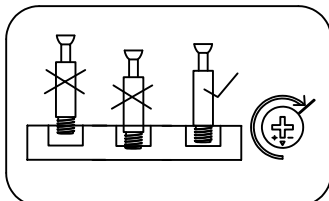
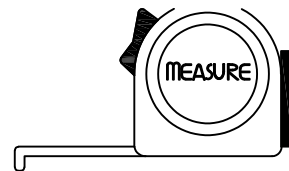
1. Please check that all parts & hardware are present before you start the assembly of your furniture. Do not destroy any of the packaging until you are certain that you have all the necessary parts for assembly.
2. To ensure a smooth installation, we recommend that before you commence each step of the assembly, please identify all the parts required for that step.
3. We recommend that where possible, all items are assembled near to the area in which they will be placed in use, to avoid moving the product unnecessarily once assembled.
4. For the protection of your furniture, particularly items of high gloss finish, we recommend that the product is placed on a protected surface during assembly to prevent any damage.
5. During assembly, please take care not to over-tighten any fittings, as this may damage the product.
6. Keep children and animals away from the work area. Small parts could cause choking if swallowed.

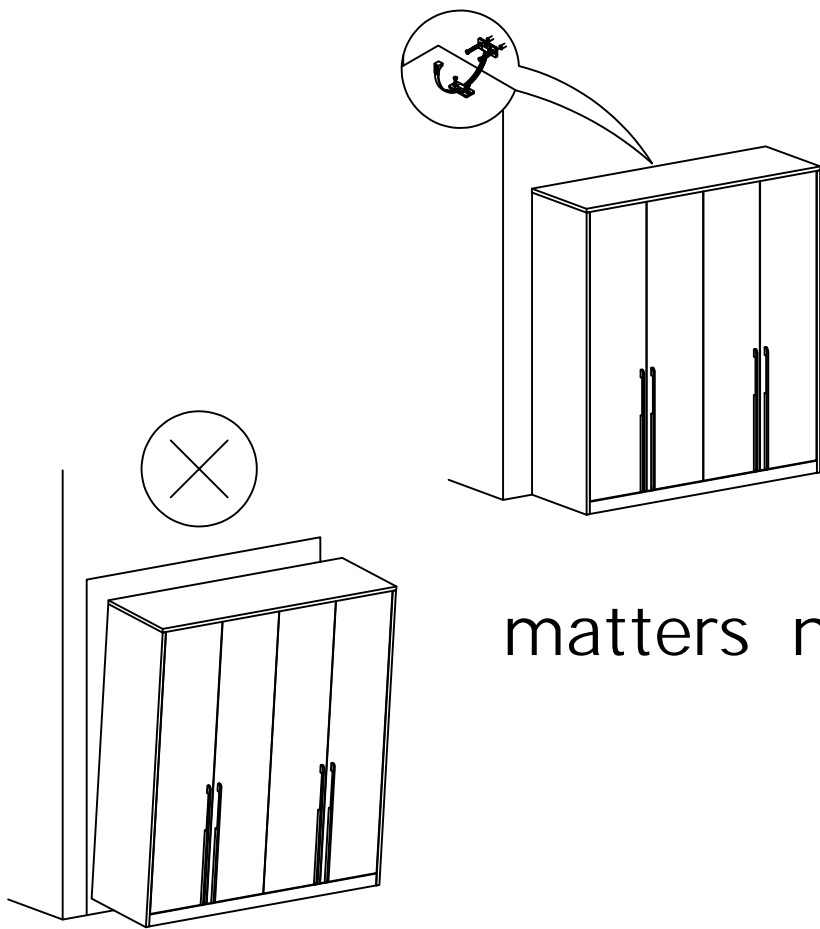


Self-provided universal tool diagram:

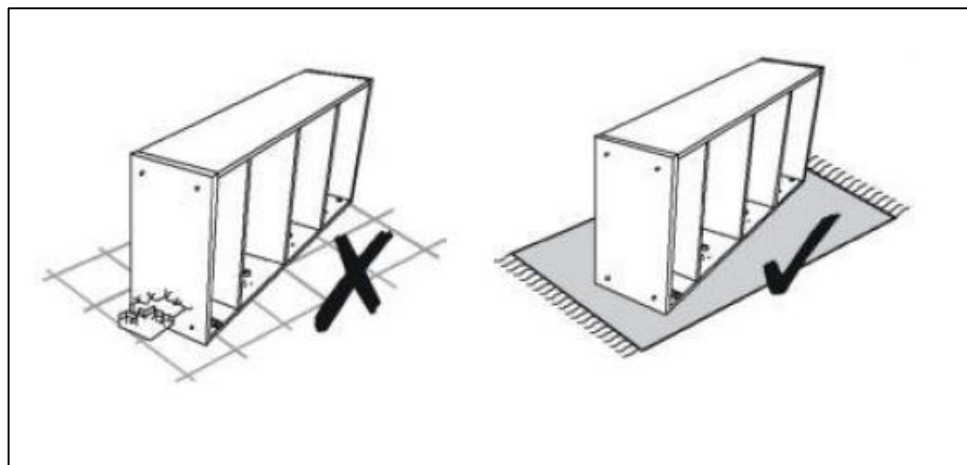
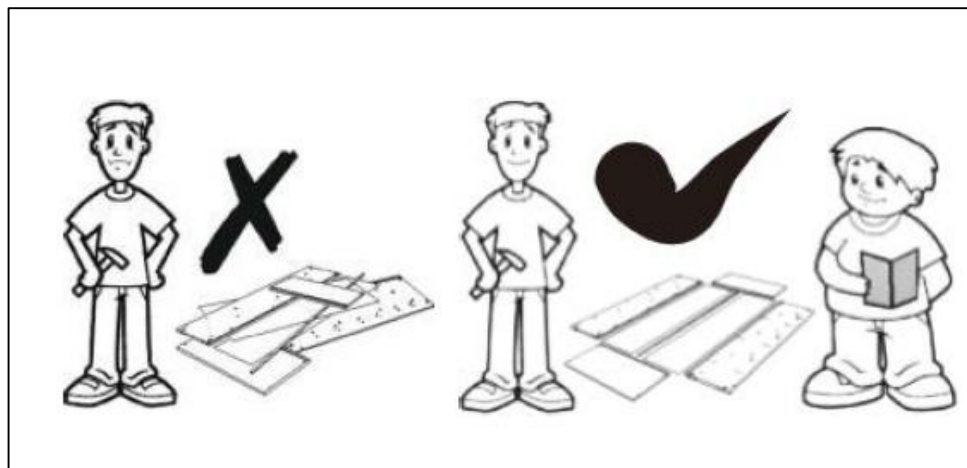


Tape Measure


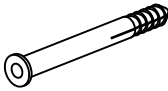

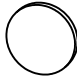




matters needing attention

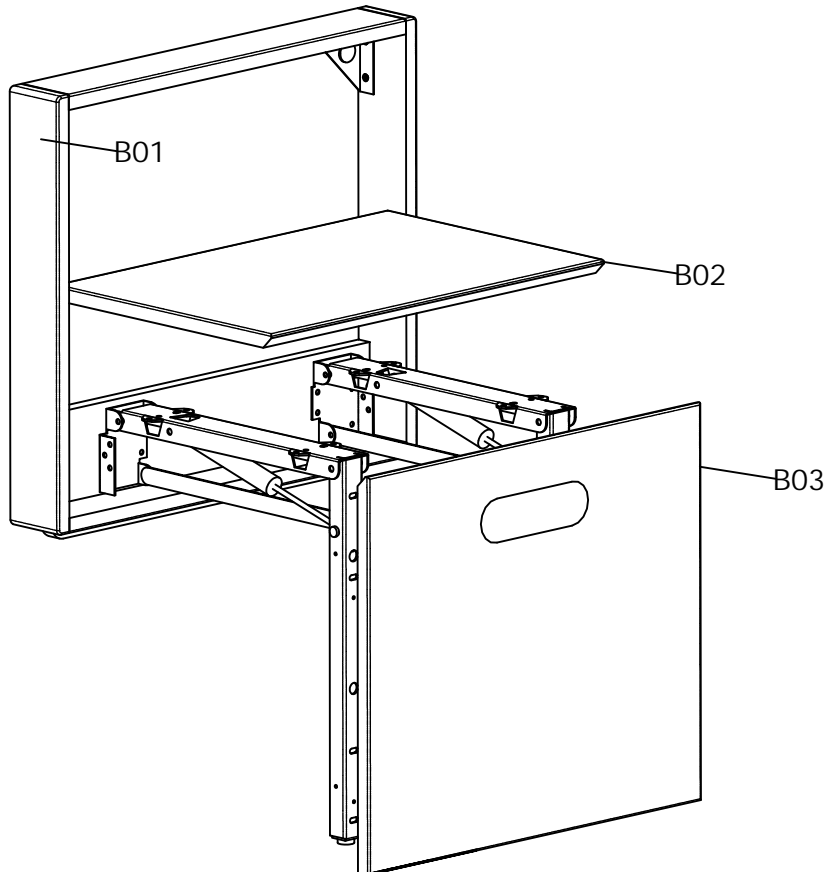


Installation Hardware List

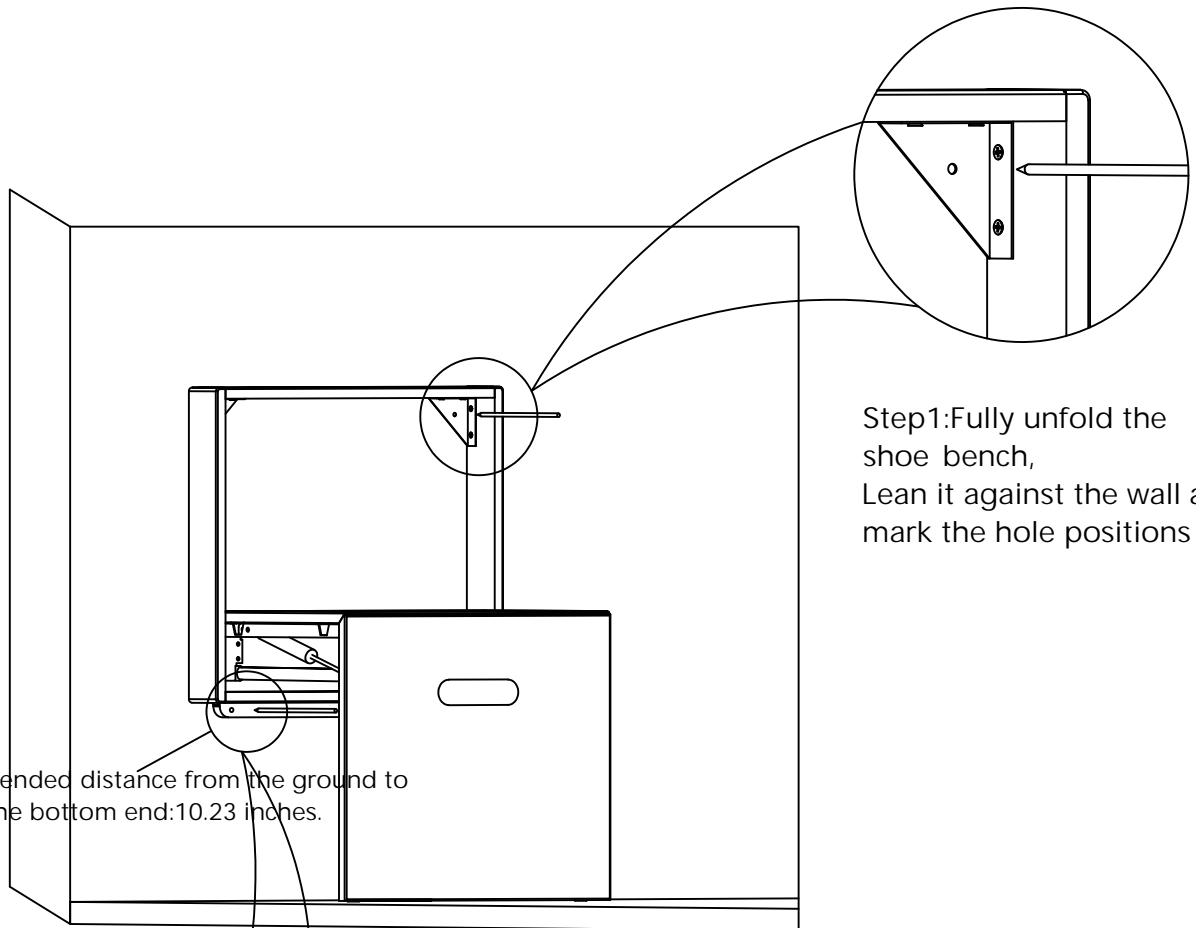
<p>H4222</p>  <p>Metal cover</p> <p>2PCS</p>	<p>HA0087</p>  <p>Drywall anchor</p> <p>4PCS</p>	<p>HA0088</p>  <p>Flat Head Internal Cross Screw M4*55</p> <p>4PCS</p>	<p>H2525</p>  <p>Rubber felt pad</p> <p>2PCS</p>
---	---	--	---

Repair Panel List

B01*1 Cabinet
B02*1 Seat plate
B03*1 Table Skirt

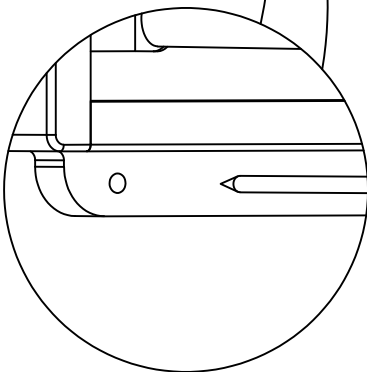


installation steps

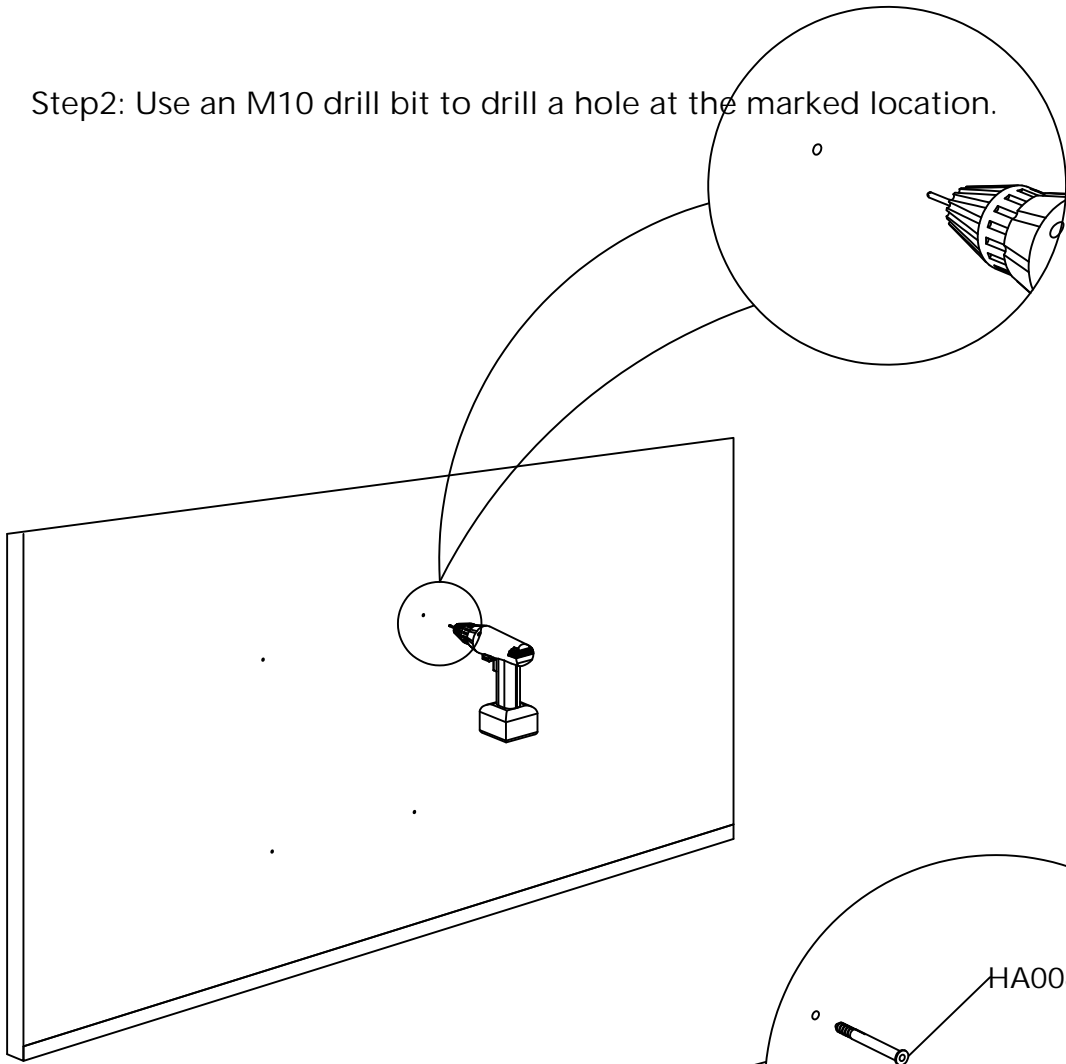


Step1: Fully unfold the shoe bench,
Lean it against the wall and
mark the hole positions

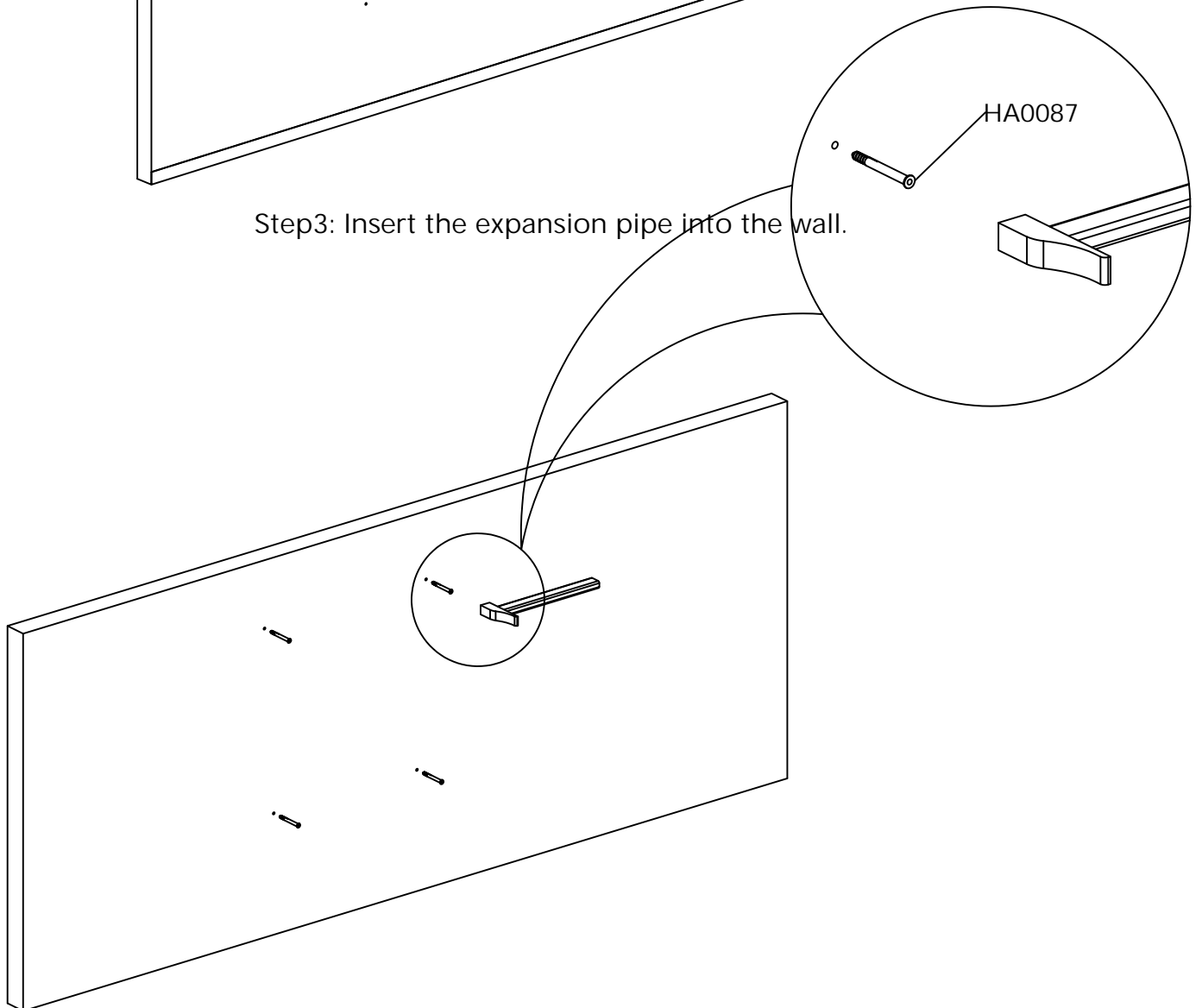
Recommended distance from the ground to
the bottom end: 10.23 inches.



Step2: Use an M10 drill bit to drill a hole at the marked location.

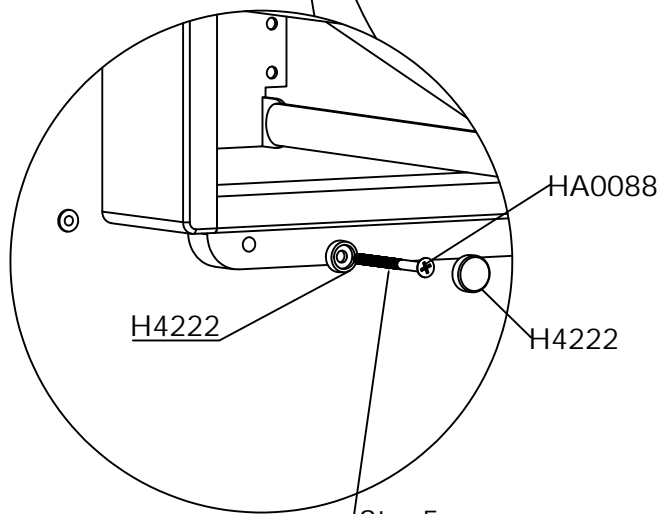
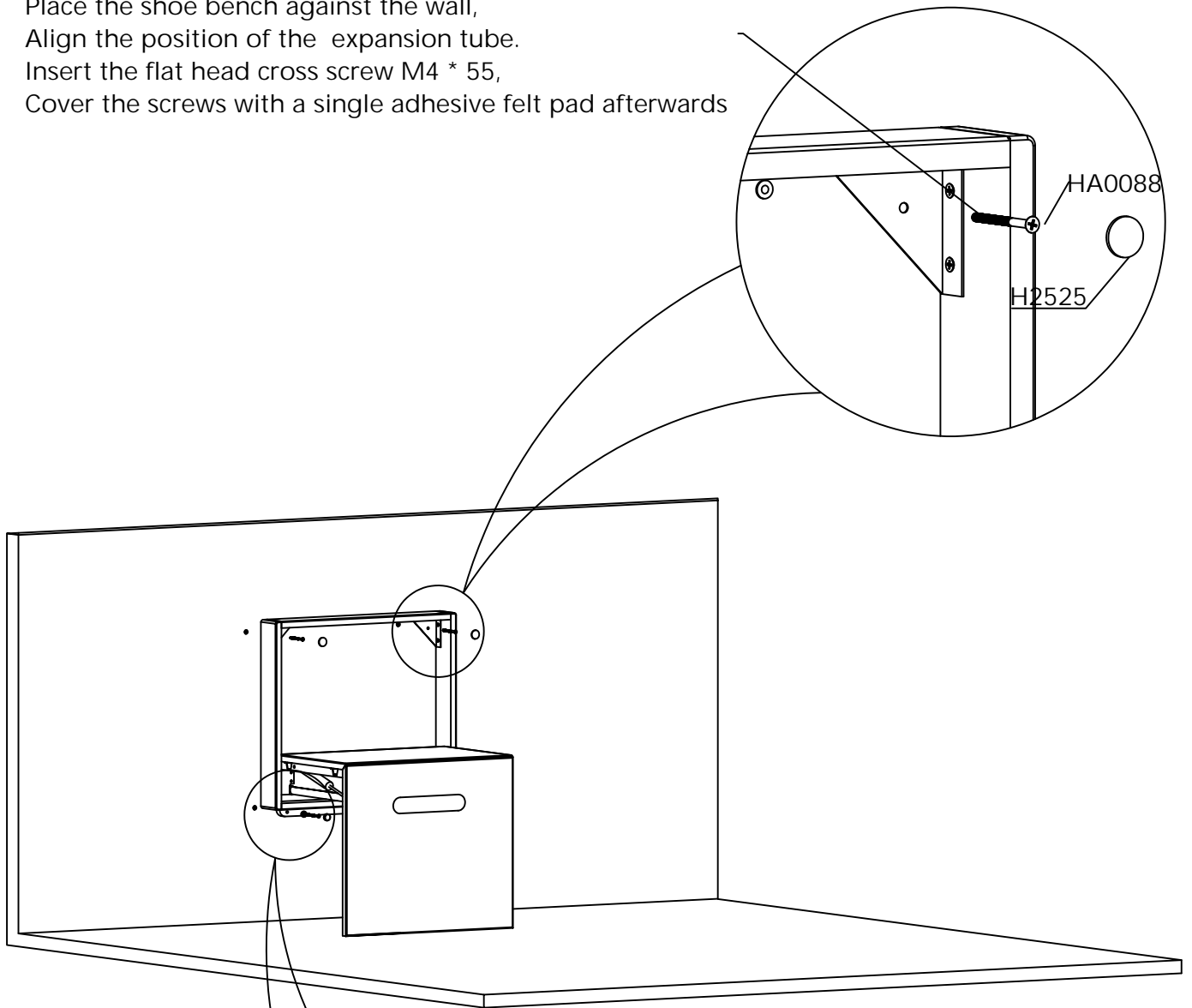


Step3: Insert the expansion pipe into the wall.



Step4:

Place the shoe bench against the wall,
Align the position of the expansion tube.
Insert the flat head cross screw M4 * 55,
Cover the screws with a single adhesive felt pad afterwards



Step5:

Place the shoe changing stool against the wall,
Align the HA0087 expansion tube ,
Insert the H4222 plastic part of,
Align the flat head cross screw (M4 × 55) with the hole and screw it in.
Cover the screw with H4222 metal nail cover.