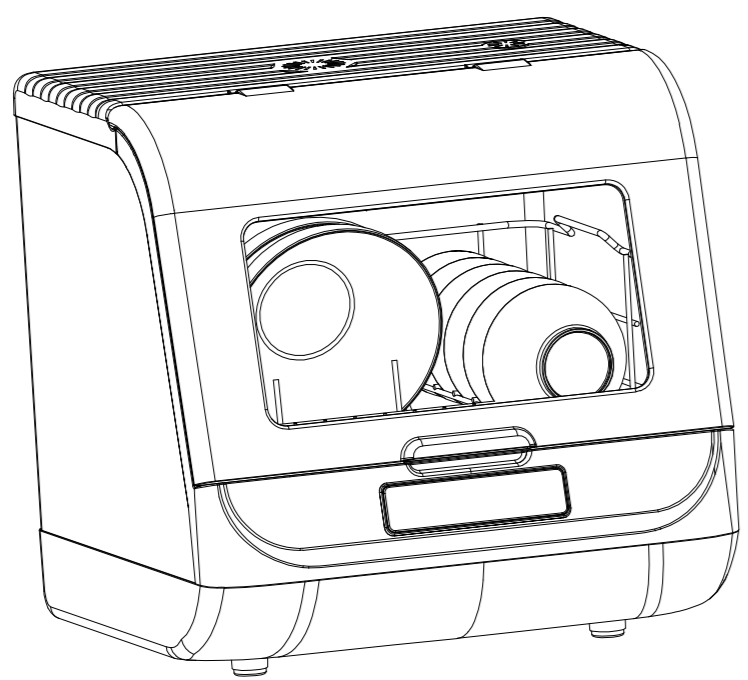


DESKTOP HOME DISHWASHER (USER'S MANUAL)



Please Read This Manual Carefully Before Using This Product

Advice:

The factory may continuously improve the product according to the actual situation. If there is any discrepancy with this manual, please refer to the actual product without prior notice.

Table Of Contents

Instructions For Use	1
The Main Structure	4
Installation Guidelines	5
Features	6
Technical Parameters And Logo Explanation	7
Meal Placement Diagram	8
Care And Maintenance	10
Common Problems And Solutions	11
Warranty Card	12

DESKTOP HOME DISHWASHER(Warranty Card)

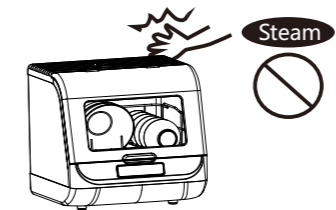
date:	date:	date:
Fault description:	Fault description:	Fault description:
Maintenance situation:	Maintenance situation:	Maintenance situation:
Replacement parts:	Replacement parts:	Replacement parts:
Remarks:	Remarks:	Remarks:
Maintenance signature:	Maintenance signature:	Maintenance signature:
Service point stamp:	Service point stamp:	Service point stamp:

-1-

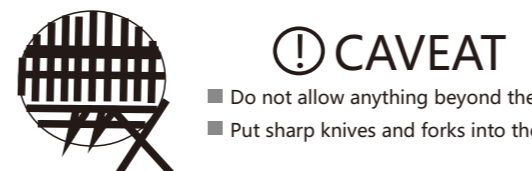
Instructions for use

When using a dishwasher, please check the following carefully

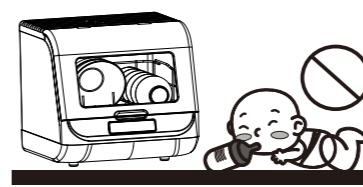
1. Install the dishwasher according to the instructions before plugging it in.
2. When the dishwasher is running, do not open the door of the dishwasher, because steam and hot water will splash out to avoid accidents.



3. In order to prevent sharp utensils from scratching the inside of the dishwasher, relatively sharp utensils (for example: knives) must be installed in the chopstick basket provided with the dishwasher, and the sharp end facing down or placed horizontally.

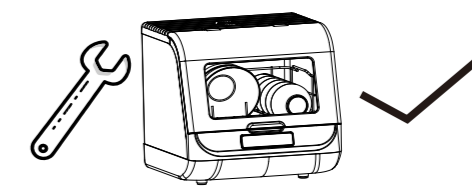


4. Avoid using the dishwasher for children, people with a disability or people who lack experience and knowledge.

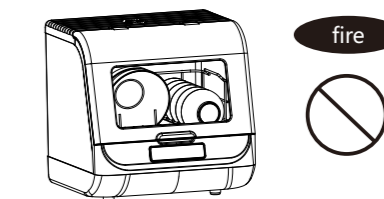


-2-

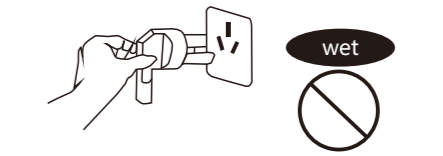
5. If you find that the power cord of the dishwasher is damaged, you cannot continue to use the dishwasher, and contact the maintenance department or our company as soon as possible to repair the product.



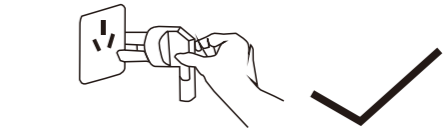
6. During installation, do not bend or squeeze the power cord with a ruler.
7. Keep the machine away from flames and other hot objects.



8. Do not insert / remove the power plug with wet hands.

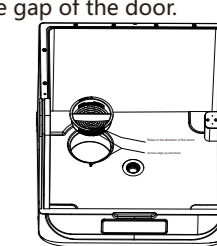


9. During maintenance, please wash the machine or do not use it for a long time, you must unplug the power plug and turn off the faucet.



-2-

4. The residue on the filter cup is taken out every time after washing the dishes to prevent the lingering residue from emitting odor.



3. You can wipe the door directly with a damp cloth. Do not use any spray. Pay more attention to cleaning the edge gap of the door.

5. Clean the dishwasher with a soft cloth dipped in some hot soapy water. For stubborn stains and spots, use a soft cloth dipped in diluted white vinegar water.
6. often cleaning the seal.

7. When you are away from home or do not use the dishwasher for a long time, it is recommended to use the quick wash function for empty washing. After empty washing, unplug the power cord, turn off the water faucet, and at the same time slightly open the door of the dishwasher. Clean the cavity again when you return from a remote door or need to use the dishwasher.

Common failure analysis and solutions

Common faults/code	Failure analysis	Solution
Does not work after power on	1. did not find the power	Make sure the power cord plug and socket are connected properly
	2.The fuse is blown or the circuit breaker is disconnected	Replace the control circuit board
E1	Water inlet failure	Turn on the faucet and check if the water pressure is normal
		Check the water pipe connected to the faucet, and try not to bend it
		Check whether the inlet valve plug is disconnected and whether the inlet valve is damaged
E4	Temperature sensor failure	Check whether the connection cable is connected or loose, and replace the temperature sensor
		Check whether the connecting wire is loose and the temperature sensor is damaged
E6	Defective heating plate	Inspect the heating wire for damage and replace the heating plate
Not drained	1.Control circuit board malfunction	Replace the control board
	2.Drain pump does not work	1 Check whether the connection line is disconnected 2 Replace the drainage pump
Unsatisfactory drying effect	1.The air inlet and outlet may be blocked	Check whether the fan connection plug is detached, and clean up the foreign objects at the air outlet.

Note: Those with "*" sign in front need to be dealt with by professionals.

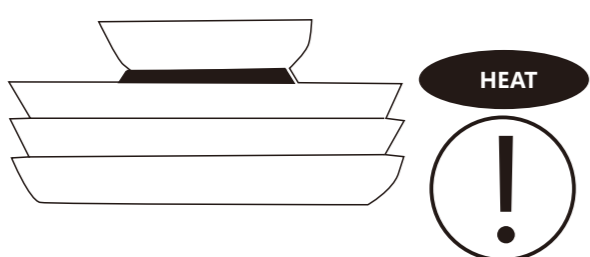
-11-

Selection of tableware

function name	Happening
wooden product	Inferior wood products may be deformed or cracked due to high temperature
plastic products	Heat-resistant plastic meals may deform or crack due to high temperatures
Ceramic products	This kind of ceramic tableware generally has no problems, but if the tableware with color pattern is used for a long time, it may fade (even if washed by hand)
Stainless steel, aluminum and other metal products	This kind of metal tableware generally does not have any problems. After several washings, the finish may be deteriorated and the color will be darkened (even if it is washed by hand)
Gold, silver, crystal and other precious tableware	This type of product is not recommended to be washed in a dishwasher and is easily damaged

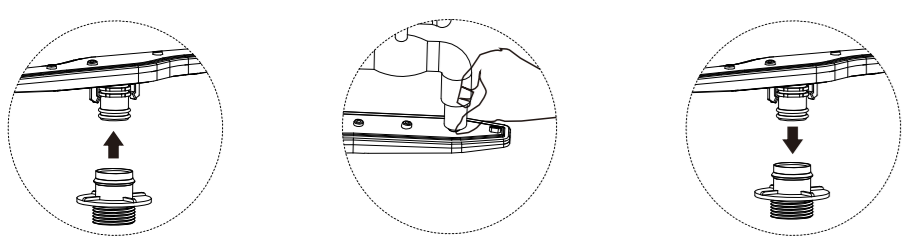
10. The maximum allowable water inlet pressure of this machine is 1MPa. The inlet water source must not use hot water above 50 °C.
11. The minimum allowable water inlet pressure of this machine is 0.04MPa.
12. This machine is only suitable for indoor use.

Only verified utensils can be placed in the dishwasher (please avoid washing non-heat-resistant materials, such as plastic utensils in the dishwasher). Mark utensils that cannot be washed in the dishwasher and not in the dishwasher. Dishwasher is not recommended for gold, silver, crystal and other expensive tableware.



Care and maintenance

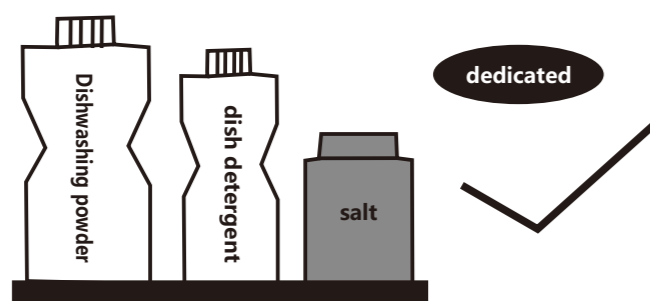
1. Before cleaning the dishwasher, be sure to unplug the power cord first.
2. Regularly (half a month to a month) clean the spray arm, because water impurities and residues during dish washing may block the connection between the spray hole and the spray arm.



- After the bowl of blue is pulled out of the machine, lift the spray arm up and out of the buckle.
- Check whether the water outlet of the spray arm is blocked. If it is blocked, clean it with a pointed object and flush it with water while passing through the hole.
- After cleaning, press the spray arm back down.

-10-

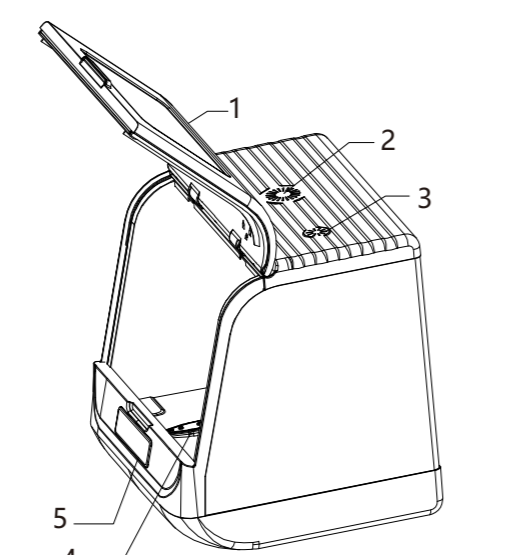
13. The dishwasher cannot add any dishwashing detergent, washing powder, soap and other non-dishwasher-specific detergents to wash dishes. If you need to improve the effect of dishwashing, you must use dishwasher-specific detergents.



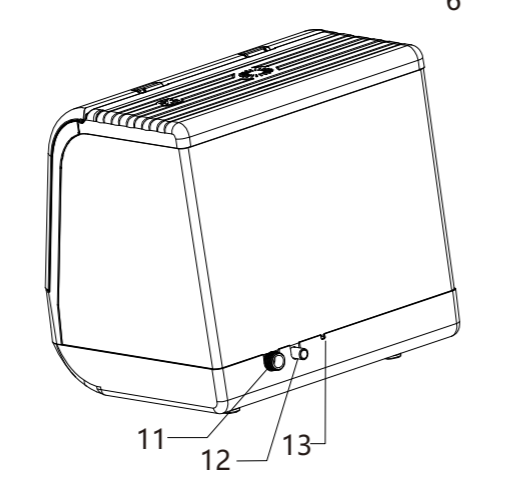
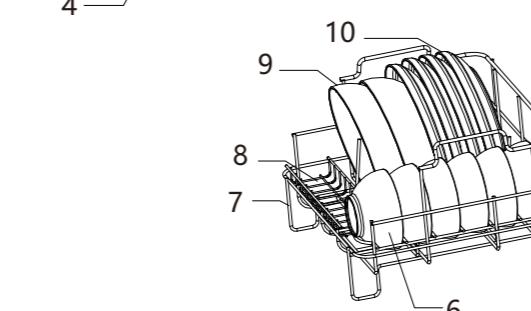
dedicated

-3-

Main structure (subject to the actual product)



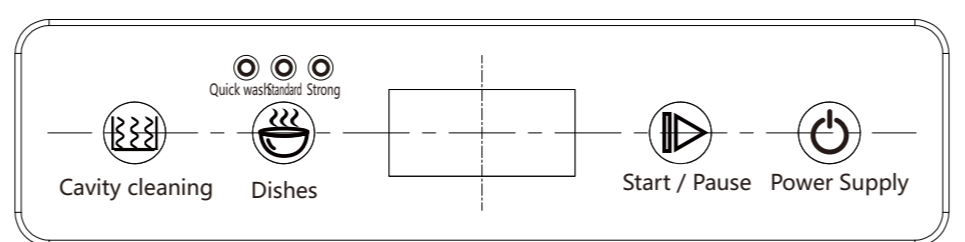
Serial number	NAME
1	Door assembly
2	Air outlet
3	Steam outlet
4	Spray arm
5	Display control board
6	Rice bowl display area
7	Bowl blue
8	Quickie and spoon display area
9	Soup bowl display area
10	Plate display area
11	water intake
12	Drain
13	power cable



-4-

Dishwasher operation

1.Control panel



1. Operating instructions

Before performing the following operations, first check whether the dishwasher is installed, whether the tableware has been placed, and whether the door is tight.

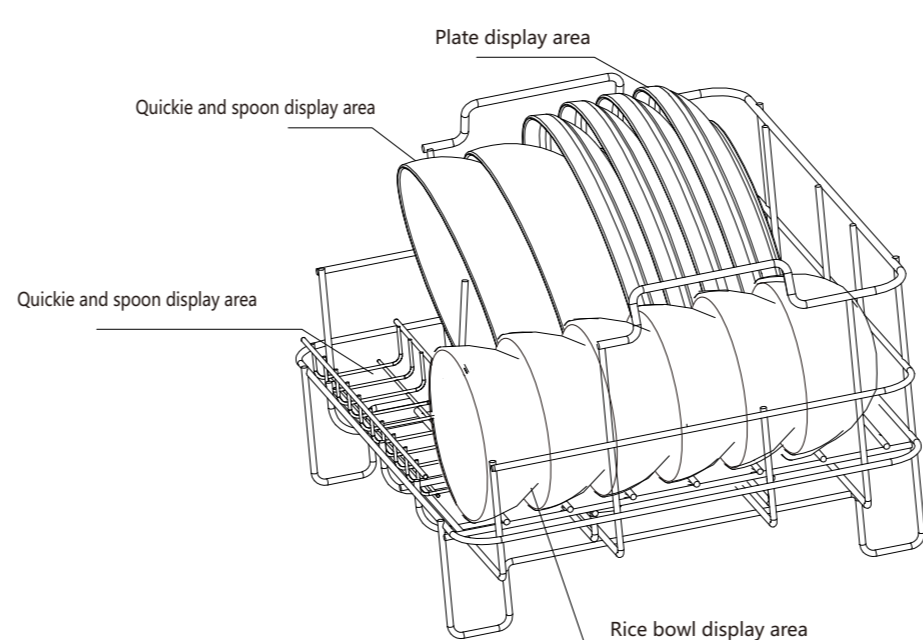
1. Press and hold the power button for 2 seconds to turn on the dishwasher. At this time, the display flashes and enters the standby state.
2. According to the soiling degree and quantity of tableware, choose the appropriate washing program among three washing programs: fast, standard or strong.
3. Press the start / pause button, the display will jump, and washing will start.
4. Press the start / pause key during the work, the machine will be in the pause state, press the start / pause key again, the machine will resume the normal washing state until the washing is finished.
5. Cavity cleaning function After turning on the dishwasher, select the receiver cleaning button, and then press the start / pause button to start washing.

Note on adding tableware during machine working:

1. Press the start / pause button first to pause the machine.
2. Open the door slowly after the water spray arm is completely stopped.
3. Be careful of the burns caused by the high temperature inside the fuselage.
4. Close the door and press the start / pause button, the machine will automatically continue the previous program work.

-9-

Tableware placement diagram



Tableware precautions

1. The larger residue on the tableware must be cleaned before putting it in the basket.
2. Cutlery should not be stacked randomly. Place a cutlery in a corresponding position.
3. When the tableware is placed, the stained surface is slightly tilted downward, which is convenient for water to wash away the stains. Dirty water will accumulate in the tableware if it is being placed. It will buckle afterwards, and water may also accumulate on the top of the tableware.
4. Please put spoons and chopsticks in the chopsticks basket.
5. Cutlery cannot protrude from the bottom of the basket into the rotating area of the spray arm. Otherwise, the rotation of the spray arm may be blocked, and the dishes may not be cleaned properly.
6. When the bowl blue is pushed back to the inner container, do not let the sharp utensils hurt the seal.
7. The surface of the basket cannot be scratched with sharp objects, and the blue surface coating of the bowl will rust after being scratched.
8. Knives and other sharp utensils must be stored in a chopstick spoon basket. The sharp part of the appliance is facing down to ensure safe use by the user.
9. After the bowl blue is put in, dial the spray arm with your hand to check whether the spray arm can rotate freely. If the spray arm cannot rotate freely, you need to readjust the position of the tableware.

-8-

Installation guidelines

Please follow the steps below to install the dishwasher correctly. If the machine is turned on for the first time and there is water droplets or water entering for the first time, the water inside the machine turns yellow, which is normal. This is because every machine has to pass the water inspection when it leaves the factory. The long-term soaked fruit in the machine will not affect the use.

1. folding packaging

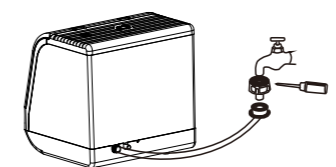
Remove the outer packaging of the machine and the paper pad. (Please dispose of the waste packaging materials correctly)

Packing List

1.Host	1 set	2. Blue bowl stand	1 set
3.Water inlet pipe	1 set	4.Drain pipe	1 set
5.Instruction manual warranty card			1 copy

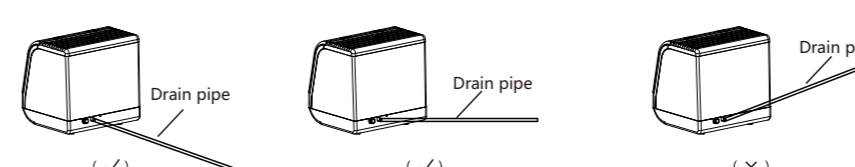
2. Connect the water inlet pipe

Connect one end of the water inlet pipe to the water inlet valve of the dishwasher, and connect the other end to the faucet through the water inlet pipe joint.



3. Connect the drain pipe

Drain pipes are placed as shown



Note: The height of the drain pipe cannot exceed the horizontal level of the bottom shell of the dishwasher.

-6-

Technical Parameters

Power Supply	220V~50Hz
Washing Pump Power	50W
Heater Power	1200W
Rated Power	1250W
Water Consumption	9 L
Overall Dimensions	(D450xW405xH450)mm
Net Weight	10.5kg

Features

- Chinese style shelf
- High-temperature sterilization washing
- Desktop, easy installation
- 30-minute fast wash / 40-minute standard wash / 50-minute strong wash. Standard wash is recommended for standard wash.

Explanation of flags

	Never operate
	The content with this mark is related to the safe use of the product and the personal safety of the use of the tool, and must be strictly required to operate, otherwise it may cause damage to the product or endanger the personal safety of users.

-7-