

Assembly instructions



CUSTOMER SERVICE QUESTION & INFORMATION

For missing hardware, damaged parts, or questions concerning assembly,
please contact us.

ASSEMBLY INSTRUCTIONS

RECLINER TABLE W DRAWER & SHELF - DARK MAHOGANY

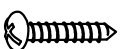

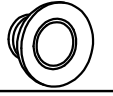



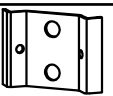
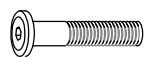

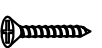
Place all parts on a clean and soft surface such as a rug or carpet to avoid scratching during assembly. Please follow all assembly instructions step by step. It is best to use a screwdriver as opposed to a drill during assembly to avoid over tightening or stripping screws/bolts.



CUSTOMER SERVICE QUESTION & INFORMATION

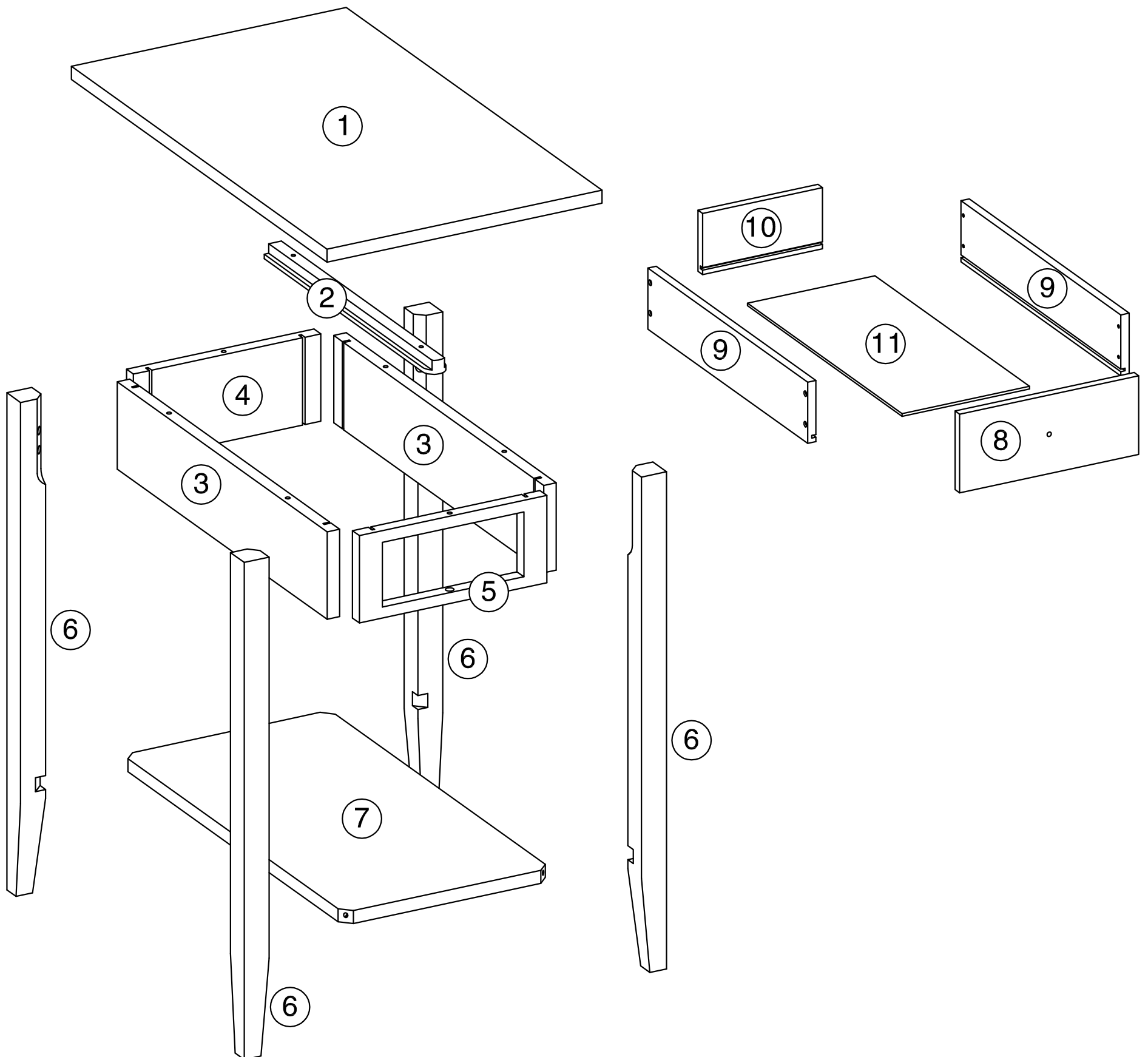
For missing hardware, damaged parts, or questions concerning assembly, please contact us.

HARDWARE LIST:

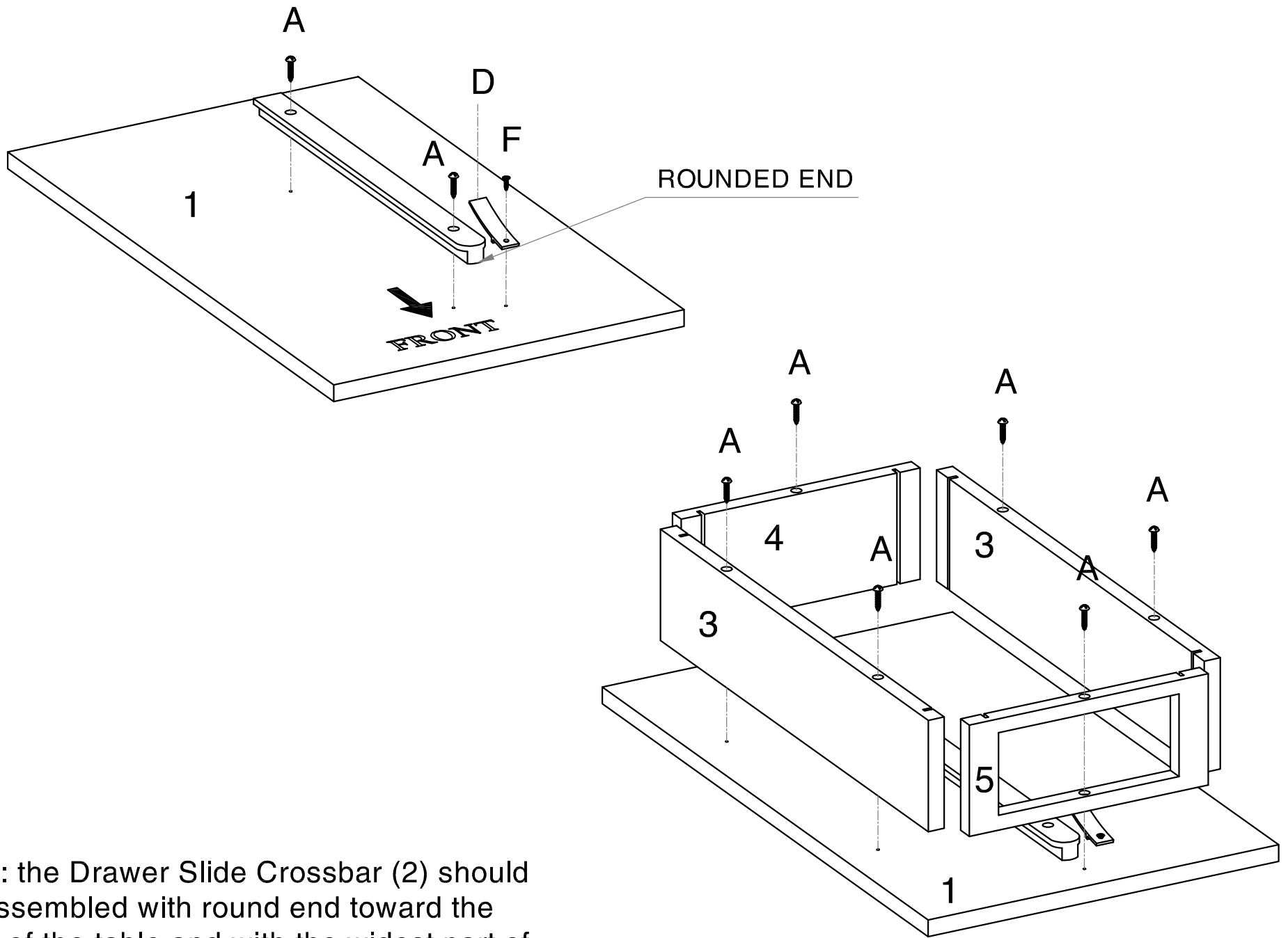
CODE	PICTURE	DESCRIPTION	QTY
A		4 X 20MM ROUND HEAD SCREW	12
B		BOLT FOR KNOB	1
C		KNOB	1
D		PLASTIC STOPPER	1
E		WRENCH	1
F		3 X 12MM FLAT HEAD SCREW	9
G		METAL BRACKET	4
H		BOLT	8
I		WASHER	8
J		3 X 20MM FLAT HEAD SCREW	8

PARTS LIST:

CODE	DESCRIPTION	QTY
1	TOP PANEL	01
2	SLIDE CROSSBAR	01
3	SIDE SHORT APRON	02
4	BACK LONG APRON	01
5	FRONT LONG APRON	01
6	LEGS	04
7	SHELF PANEL	01
8	DRAWER FRONT	01
9	DRAWER SIDE	02
10	DRAWER BACK	01
11	DRAWER BOTOM	01

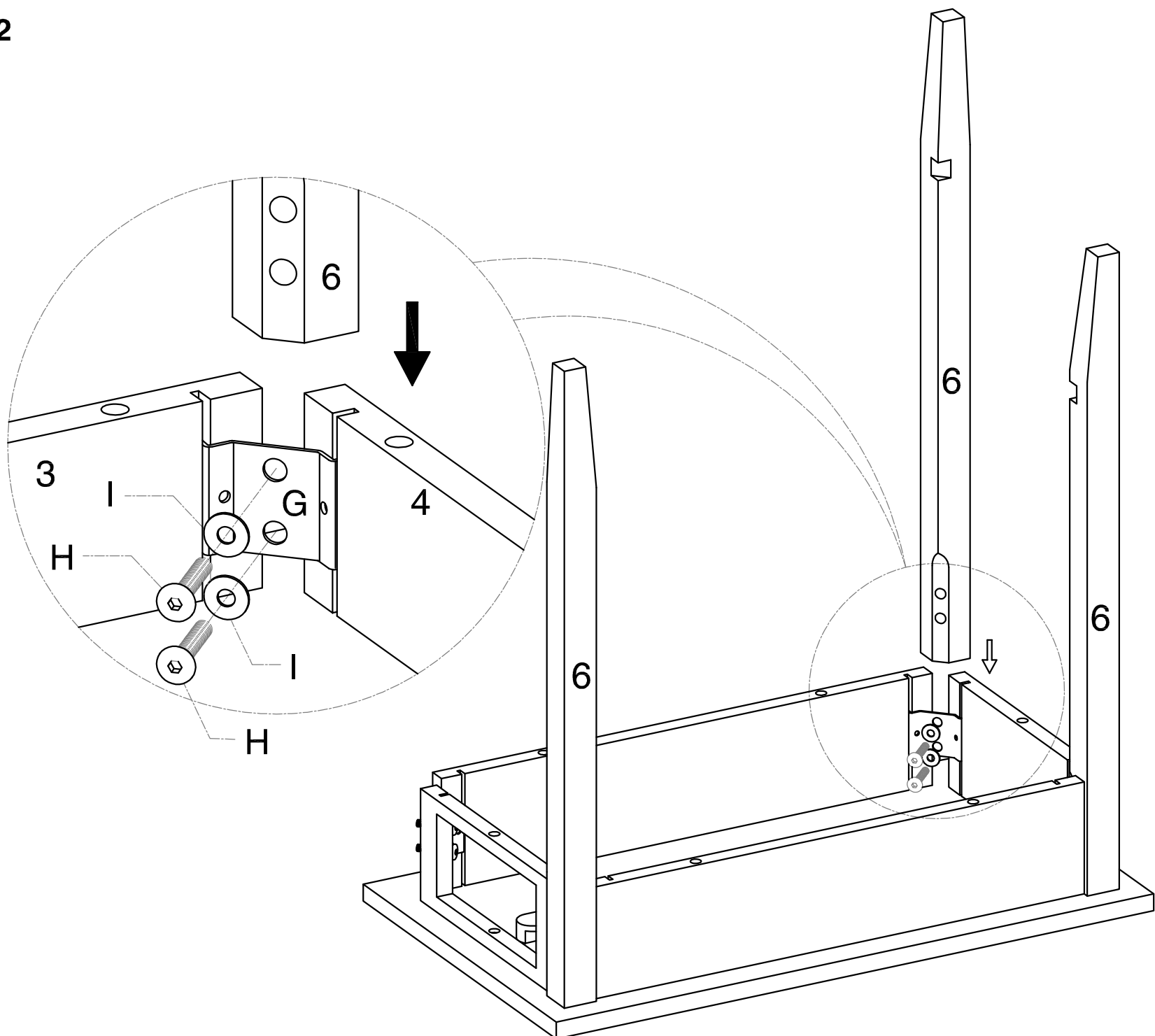


STEP 1

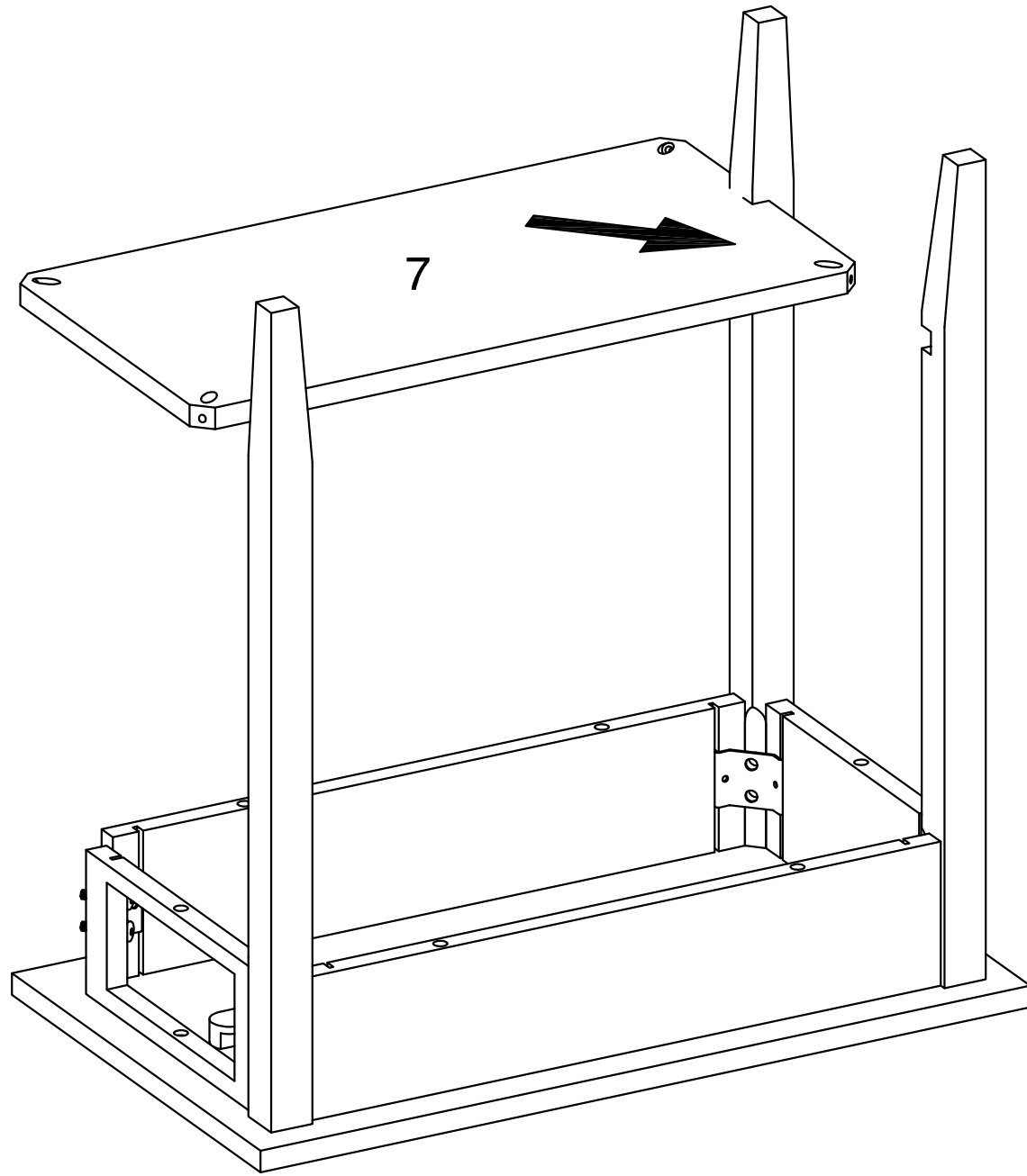


Note: the Drawer Slide Crossbar (2) should be assembled with round end toward the front of the table and with the widest part of its surface away from the table top as shown.

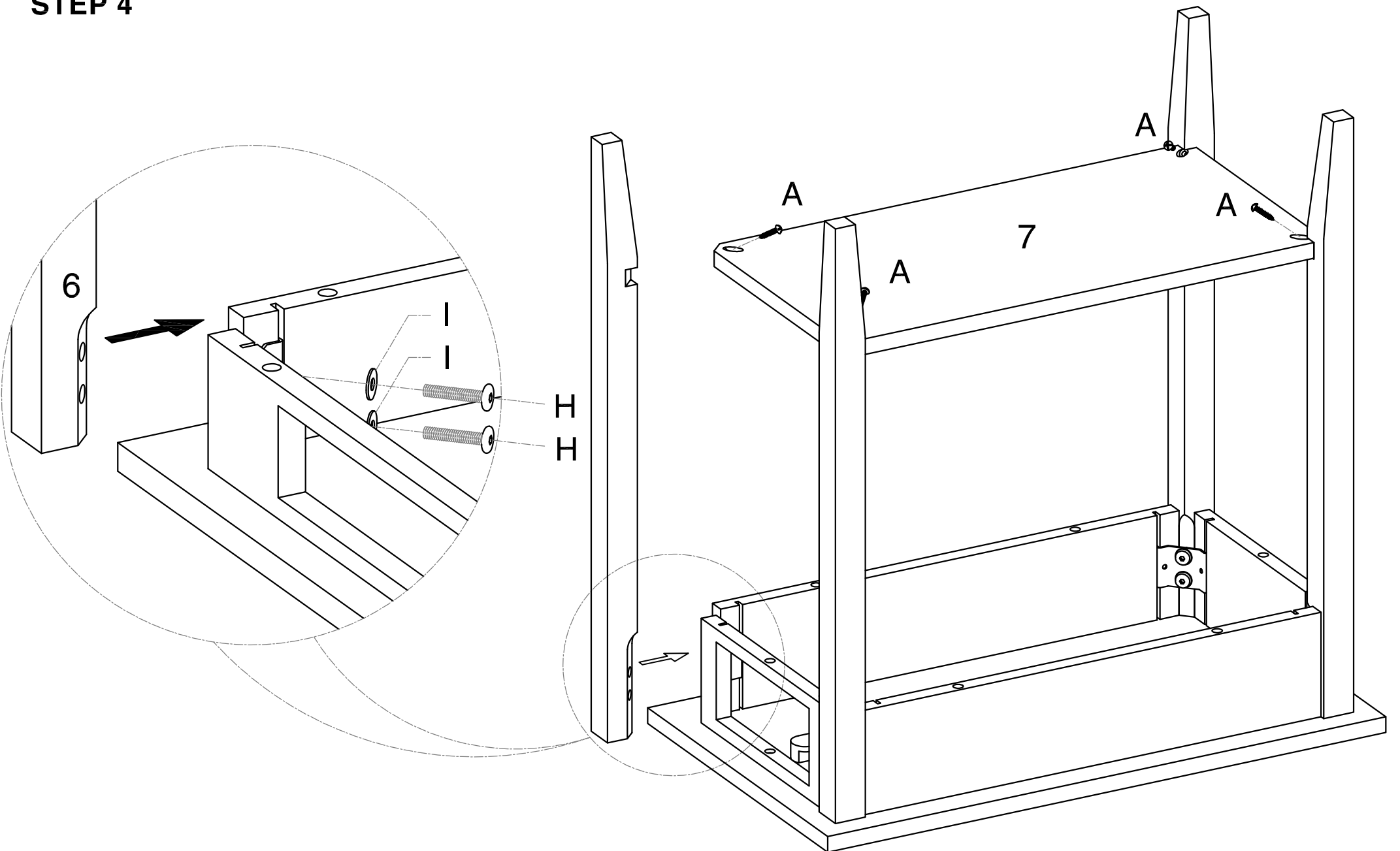
STEP 2



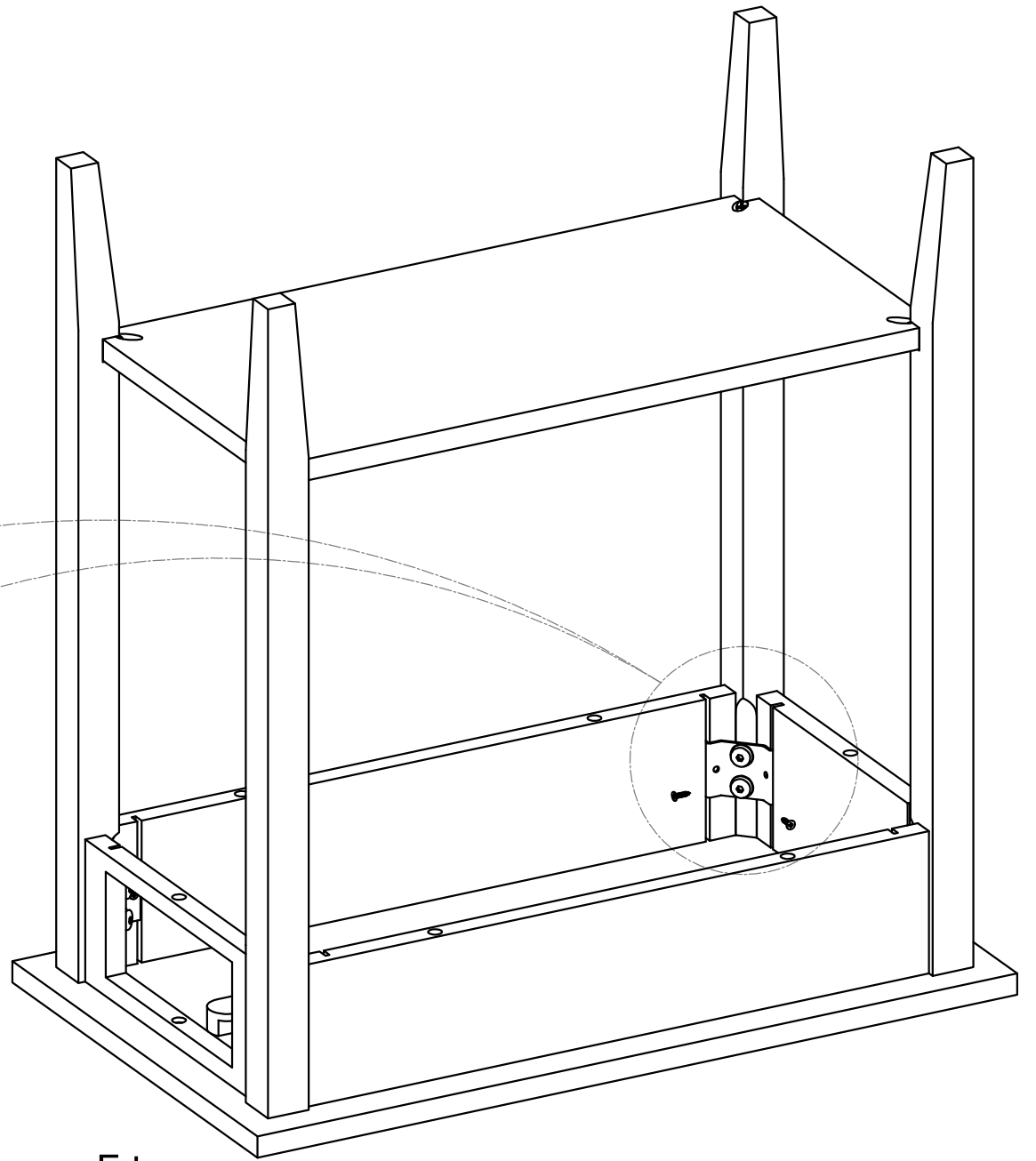
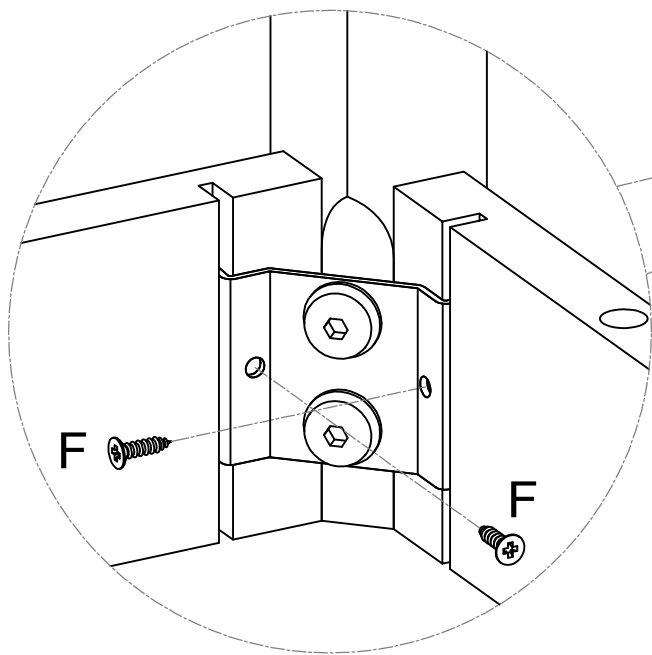
STEP 3



STEP 4

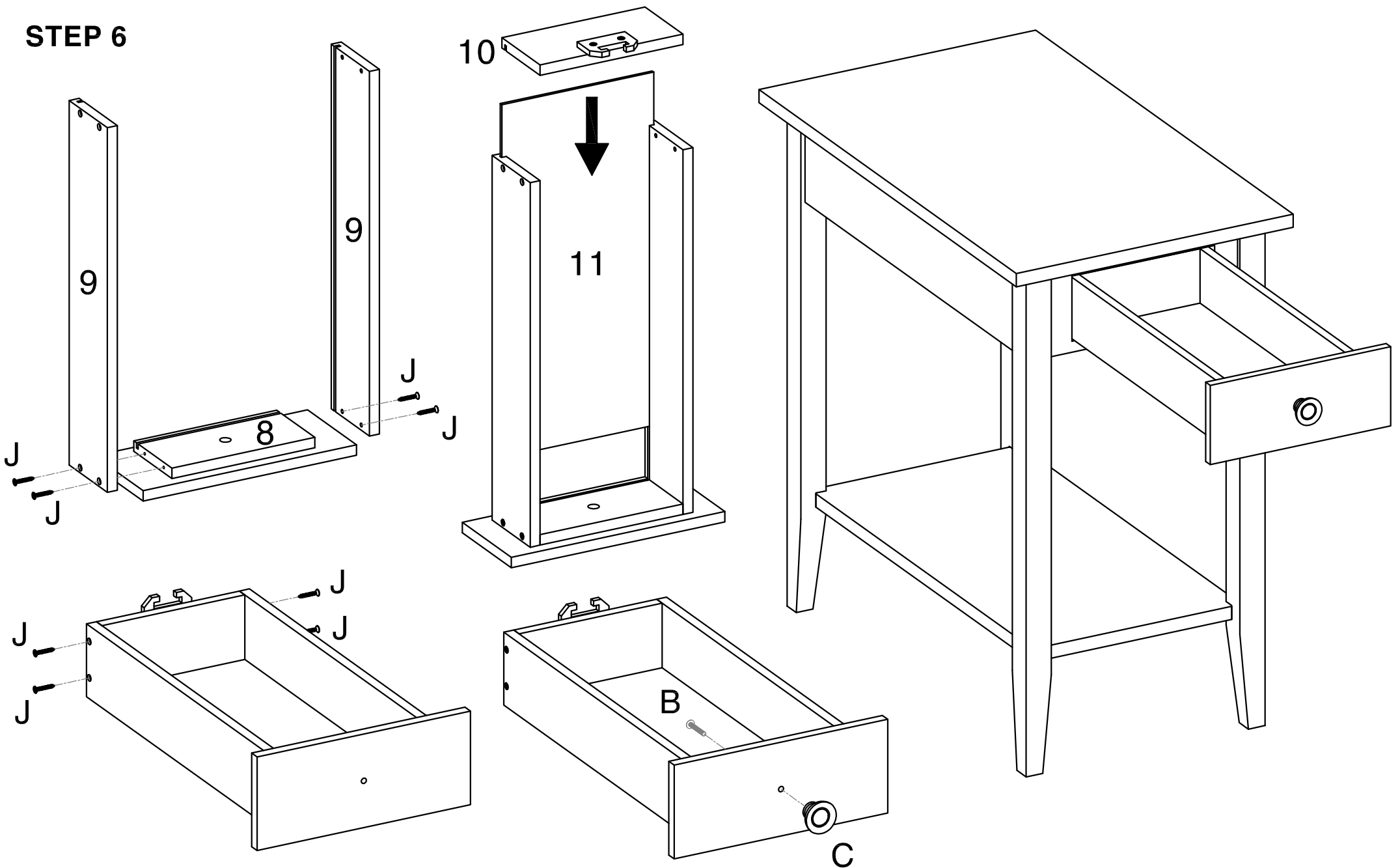


STEP 5



Note: Use a Phillips screwdriver to attach screws F to the metal brackets after tightening bolts (H) with washers (I) to each corner. If you use a drill, be careful not to over tighten or strip the wood.

STEP 6



Tip the rear of the drawer down allowing the Nylon Drawer Glide bracket room to go up and through the drawer opening of the front apron and then insert over the drawer glide.