

ASSEMBLY INSTRUCTIONS

Paxton 54" Oval Linear Chandelier

Item # RL5678

NOTICE:

This light fixture should be installed in accordance with all applicable, local installation codes, and by a person familiar with the construction and operation of it, as well as the hazards involved. Inspect item and contents carefully. If any damage or defect is found, do not install. Retain all packaging material until installation is complete and approved.

TOOLS REQUIRED (NOT INCLUDED):

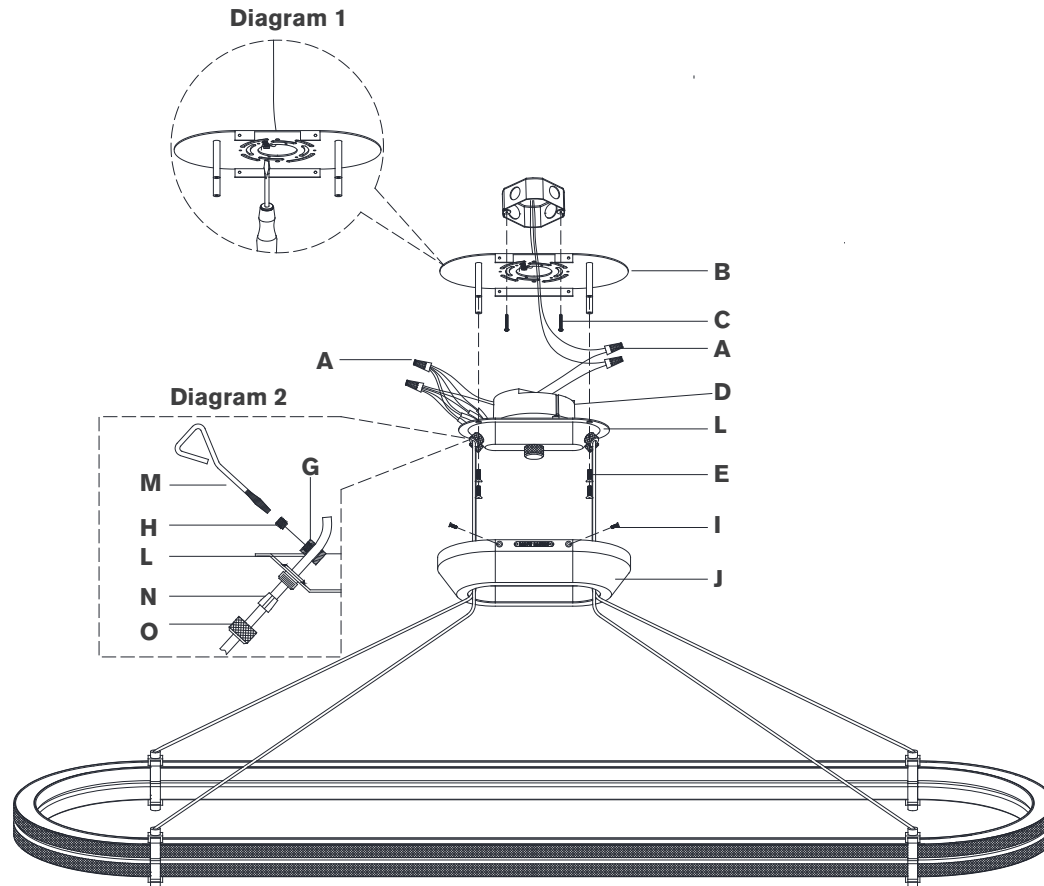
Phillips Screwdriver

Slotted Screwdriver

Wire Cutters

Wire Strippers

Measuring Tape



1. Carefully remove all parts from the box. Place on a clean, soft surface.
2. Remove mounting plate **(B)** from canopy **(J)** by removing screws **(I)**.
3. Remove mounting plate **(B)** from canopy bracket **(L)** by removing screws **(E)**.
4. Install mounting plate **(B)** to the junction box and secure with mounting screws **(C)**.
5. Connect supply ground wire (usually green or bare copper) around the green grounding screw (see diagram 1). Tighten.
NOTE: It is imperative that the fixture is grounded.
5. Gently set fixture on a flat, non-abrasive surface to adjust fixture hanging wires.
6. To adjust hanging wire loosen knurled knob **(O)** and set screw **(H)** on cable lock nut **(G)**, then adjust to desired length. Once complete secure screws **(H)** and knurled knob **(O)** then repeat steps with remaining wires. See diagram 2.
7. After fixture height is achieved shorten wires by using a pair of cutters, leaving enough wire to connect to driver **(D)**.

NOTE: Final leveling in later step will only allow for small adjustments. Make sure fixture height and fixture level are accurate before cutting wires.

RALPH LAUREN



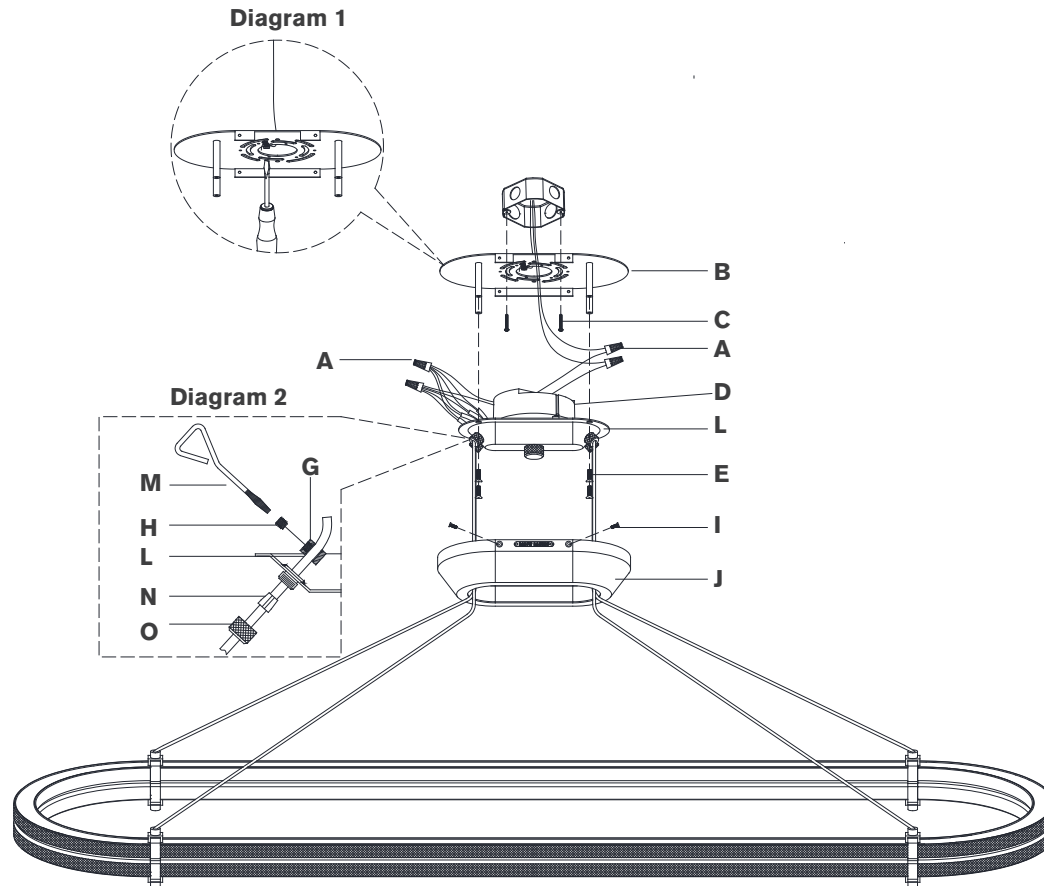
ASSEMBLY INSTRUCTIONS

Paxton 54" Oval Linear Chandelier

Item # RL5678

NOTICE:

This light fixture should be installed in accordance with all applicable, local installation codes, and by a person familiar with the construction and operation of it, as well as the hazards involved. Inspect item and contents carefully. If any damage or defect is found, do not install. Retain all packaging material until installation is complete and approved.



8. Remove outer housing of wire by making a neat cut all the way around, about 1" from the end. Once cut is made, remove and discard the 1" piece of housing, exposing the electrical wires.
NOTE: Make sure not to cut too deep into housing or electrical wires could become damaged.
9. Separate wires and strip insulation on each 5/8".
10. Install canopy bracket (L) to mounting plate (B) and secure with screws (E).
11. Connect fixture neutral wires (black) to driver (D) output wire (black) using wire nut (A).
12. Connect fixture hot wires (red) to driver (D) output wire (red) using wire nut (A).
CAUTION: Do not reverse the hot and neutral connections.
13. Connect driver (D) input neutral wire (white) to the supply neutral wire (usually white) using wire nut (A).
14. Connect driver (D) input hot wire (black) to the supply hot wire (usually black) using wire nut (A).
CAUTION: Do not reverse the hot and neutral connections.
15. Make sure all wire connections are tight, then carefully tuck into the junction box.
16. Install canopy (J) to mounting plate (B) and secure with screws (I).
17. To level fixture, unscrew knurled knob (O), feed fixture wire through stopper (N) and then re-secure knurled knob (O). Repeat as needed with other wires. (See diagram 2)

Care Instructions: Clean only with a soft dry cloth or feather duster. Do not use abrasive or chemical agents.

RALPH LAUREN

