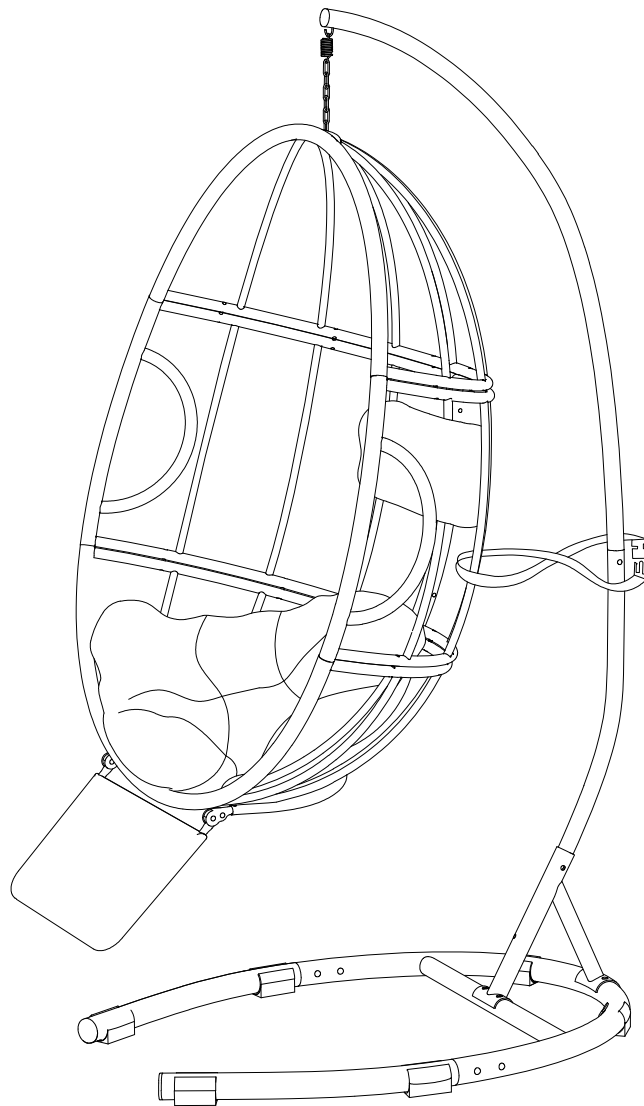


Instruction Manual

Basket Swing Chair

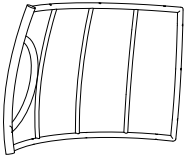
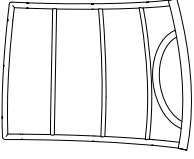
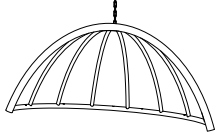
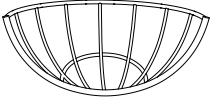
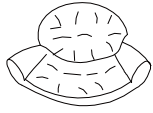


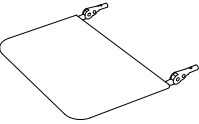


Read the instructions before use of this product.

Please keep this instruction manual for future reference.

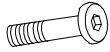
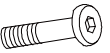
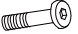





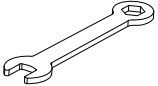


PARTS & HARDWARE LIST

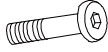
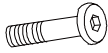





Part	Part Image	Description	Qty
A		Left Panel	1PC
B		Right Panel	1PC
C		Top Panel	1PC
D		Bottom Panel	1PC
E		Seat Cushion	1PC
F		Head Pillow	1PC
N		Strap	1PC
S		Leg Support	1PC



PARTS & HARDWARE LIST

Part	Part Image	Description	Qty
AA	 M6*35	Bolt M6*35	11PCS
BB	 M6*40	Bolt M6*40	4PCS
CC	 M6*25	Bolt M6*25	2PCS
FF	 M6	Nut	17PCS
GG	 M6	Washer	34PCS
HH	 M6	Bolt Cap	17PCS
II	 M6	Nut Cap	17PCS
NN		Allen Key	1PC
QQ		Wrench	1PC



EXTRA			
PART	FIGURE	DESCRIPTION	QTY
AA	 M6*35	Bolt M6*35	2PCS
BB	 M6*40	Bolt M6*40	1PCS
CC	 M6*25	Bolt M6*25	1PCS
FF	 M6	Nut	3PCS
GG	 M6	Washer	6PCS
HH	 M6	Bolt Cap	3PCS
II	 M6	Nut Cap	3PCS

ATTENTION:

Keep children away during assembly. This item contains small parts that can be dangerous for children. Children should always be under direct adult supervision while using this product.

Do not discard any of the packaging until you have checked that you have all of the parts and fittings required.

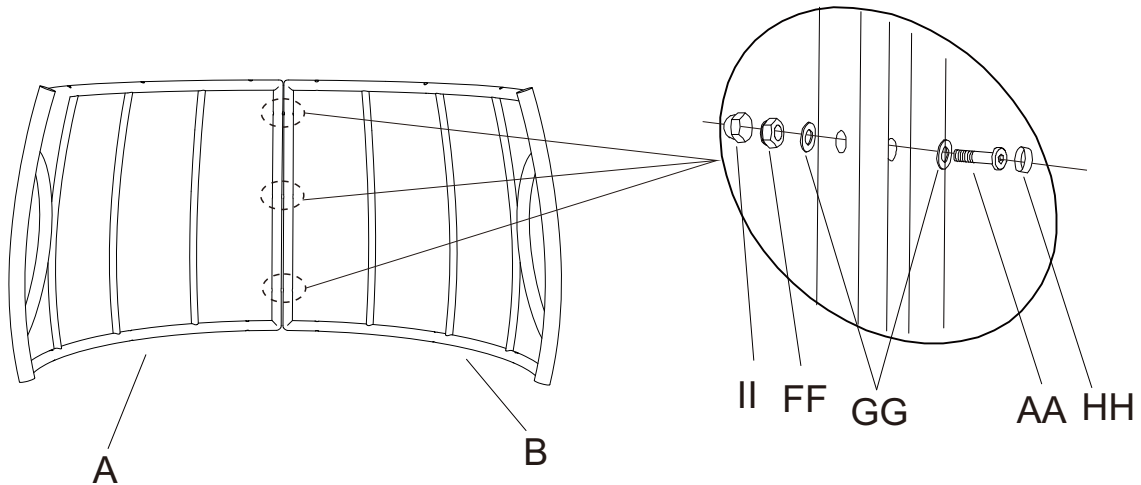
Carefully remove the contents from the package. If any parts are missing, do not attempt to use the product until they have been obtained.

Make sure that each bolt needed for all steps matches the corresponding figure ensure proper assembly.

STEP 1

Attach left panel (A) and right panel (B) using bolts M6*35 (AA), washers (GG) and nuts (FF).

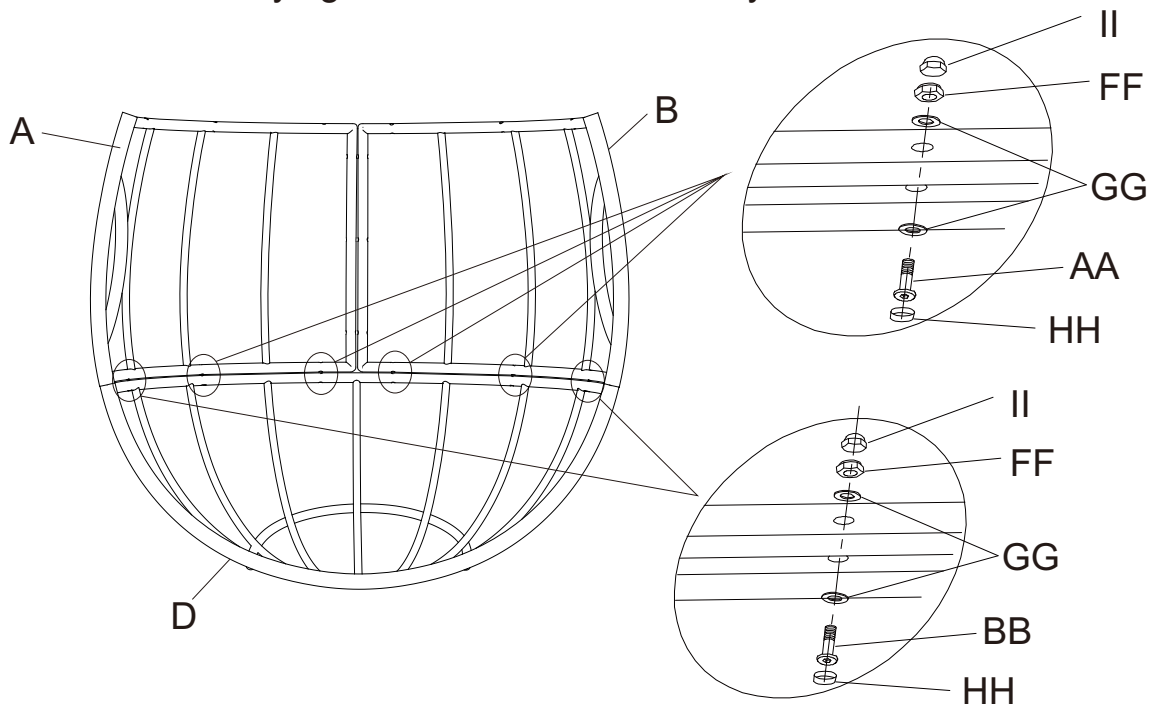
Please do not fully tighten bolts until unit is fully assembled.



STEP 2

Attach bottom panel (D) to panels (A & B) using bolts M6*35 (AA), bolts M6*40 (BB), washers (GG) and nuts (FF).

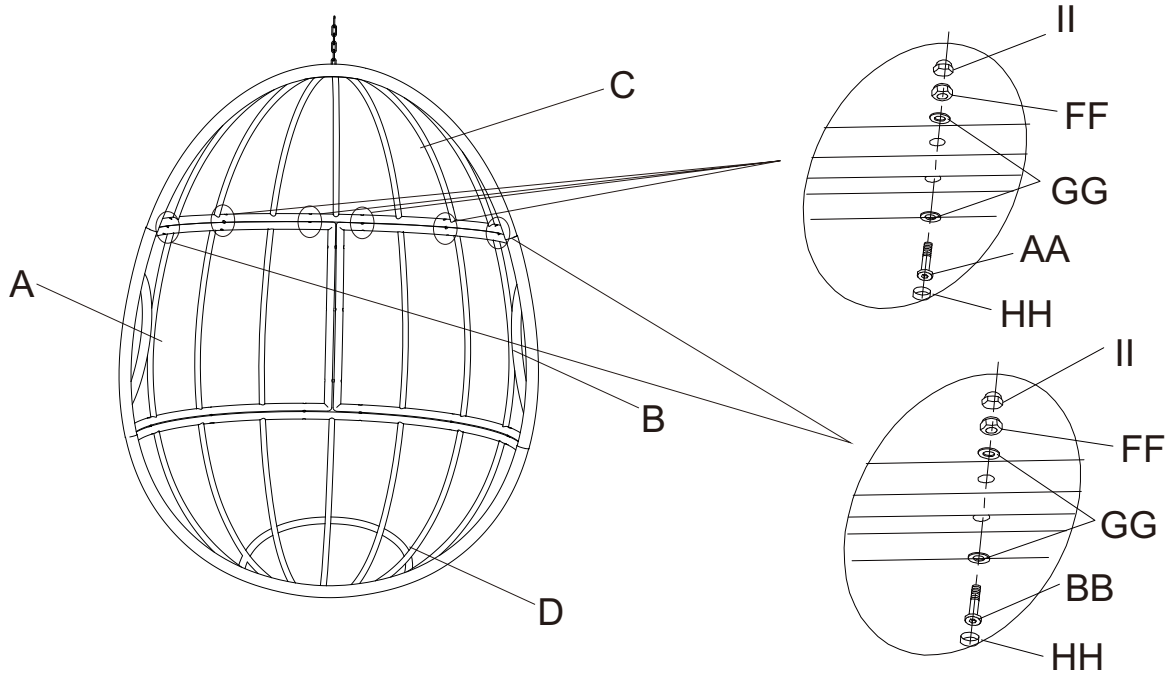
Please do not fully tighten bolts until unit is fully assembled.



STEP 3

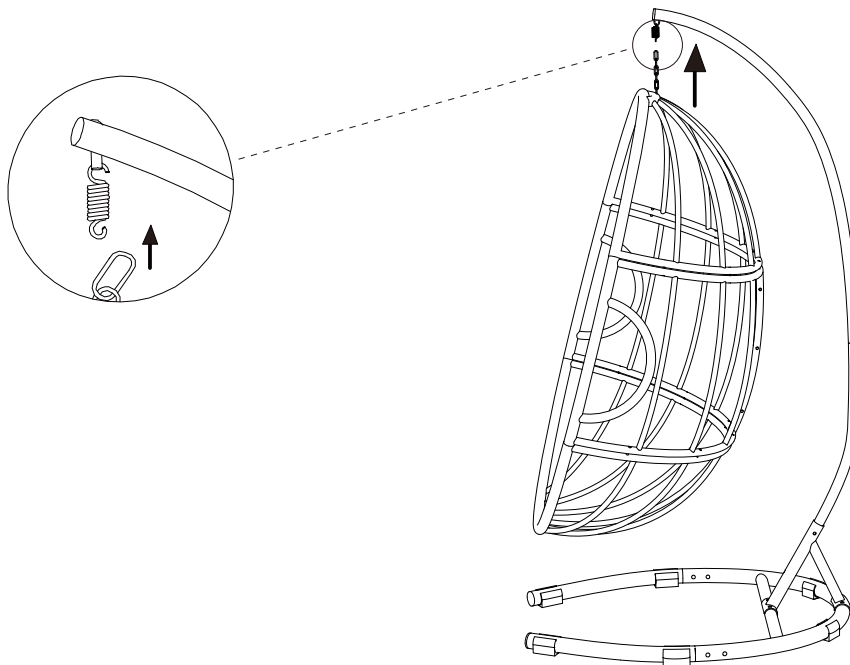
Attach top panel (C) to panels (A & B) using bolts M6*35 (AA), bolts M6*40 (BB), washers (GG) and nuts (FF).

Please fully tighten all bolts by allen key (NN) and wrench (QQ). Cover all caps.



STEP 4

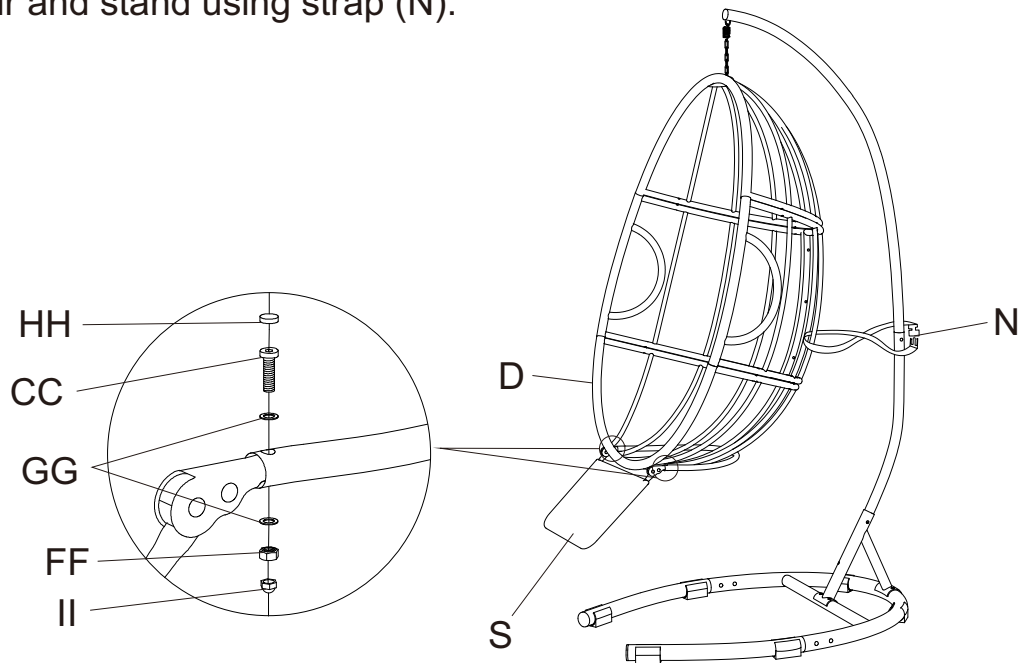
Carefully hang the chair to the stand.



STEP 5

Attach leg support (S) to bottom panel (D) using bolts (CC), washers (GG), nut (FF), bolt cap (HH) and nut cap (II).

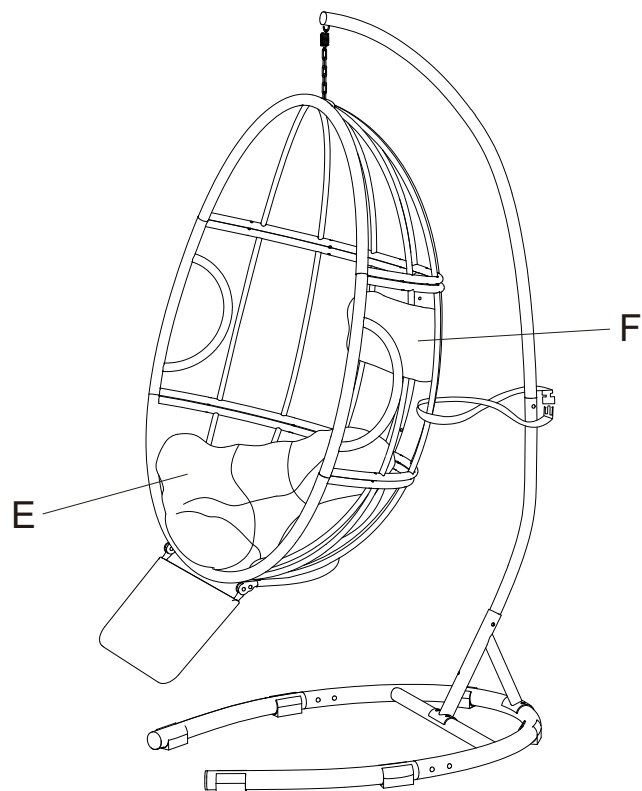
Connect chair and stand using strap (N).



STEP 6

Place seat cushion (E) and head pillow (F).

Now enjoy your chair.



Cleaning and Maintenance

Clean frame with mild soapy water, rinse thoroughly. Dry frame parts completely. Do not use bleach, acid, or other solvents on the fabric and metal parts. We recommend the use of furniture covers to protect the Arm Chiar when not in use.

Inspect and tighten all bolts on a regular basis to ensure proper performance and safety.

In order to prolong the life and beauty of your basket swing chair, we recommend storing it in a dry and protective area during off season periods.