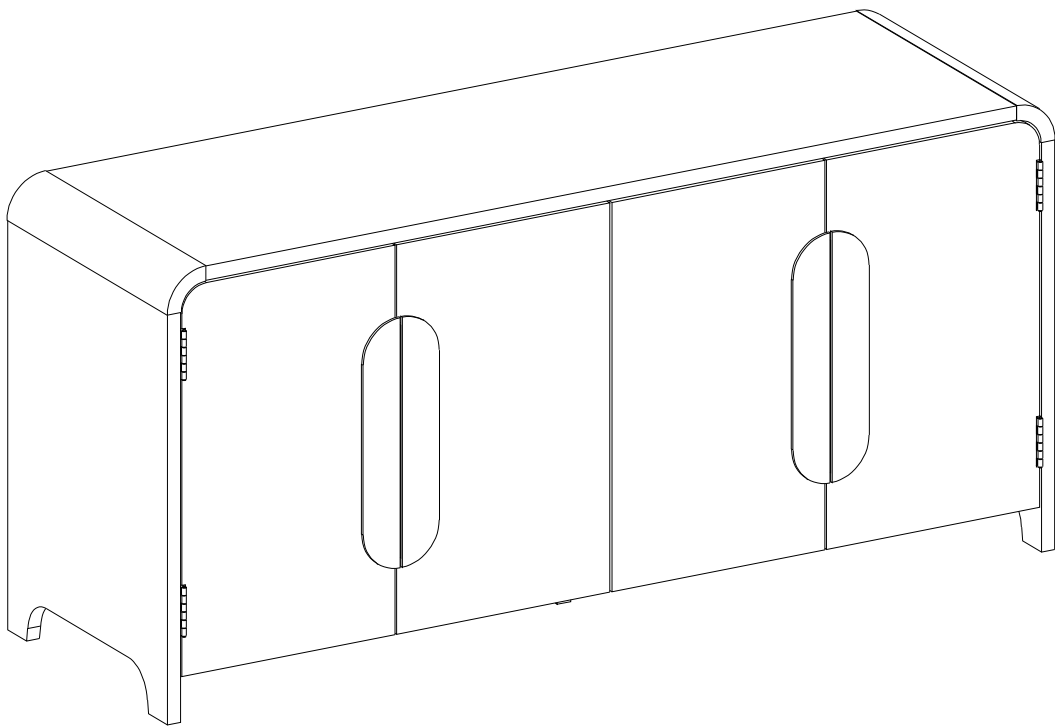


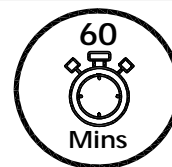
Chantelle 64" Sideboard



Time to get started

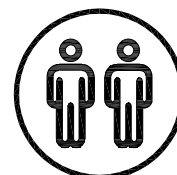
Set up a clean and soft workplace to get started and avoid damage during the assembly. It also helps to double-check that you've got all the pieces and parts before diving in to assembly.

Estimated time for assembly



People recommended for assembly

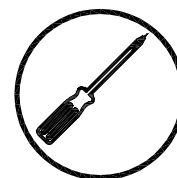
Make it a team effort! Grab a friend for quicker, easier assembly.



2 People Build

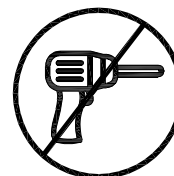
Tools Needed

Grab a Phillips head screwdriver to conquer this assembly



Use power tools with caution

You can cause cracking or damage to the material and easily strip the hardware. If you choose to use a power tool, your product will no longer be covered under Walker Edison's warranty.



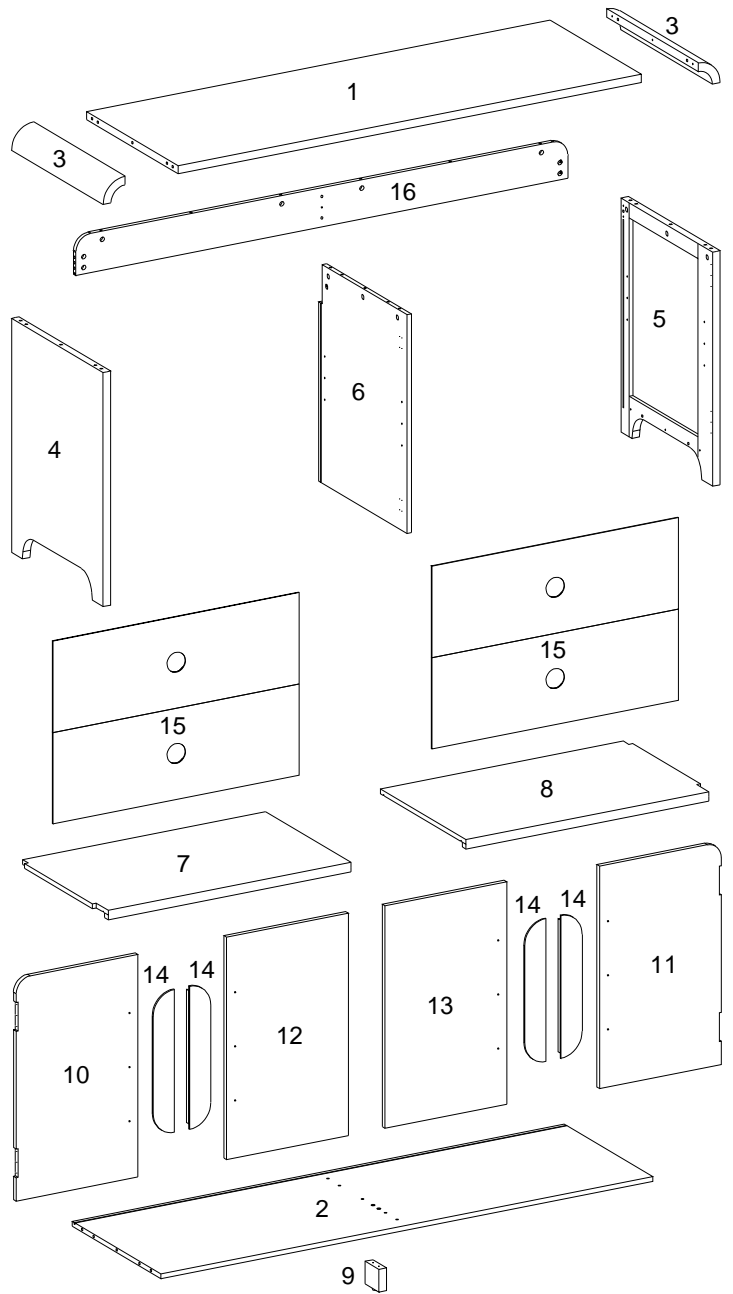
Glue is provided to secure wood dowels in place

When inserting dowels, locate the appropriate hole, place a small amount of glue in the hole, and then insert the dowel. Wipe away excess glue immediately.


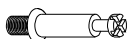


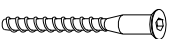

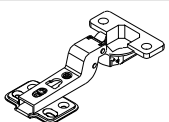

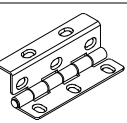
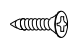
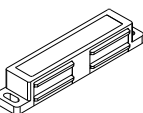
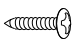
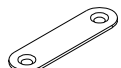


Parts List

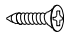

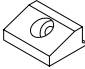
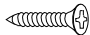
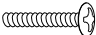
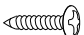
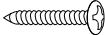



Part Number	Description	Quantity
1	Top Panel	1
2	Bottom Panel	1
3	Corner Panel	2
4	Left Panel	1
5	Right Panel	1
6	Center Panel	1
7	Left Adjustable shelf	1
8	Right Adjustable shelf	1
9	Center Foot	1
10	Left Door	1
11	Right Door	1
12	Left Center Door	1
13	Right Center Door	1
14	Door Pulls	4
15	Back Panel	2
16	Back top rail	1



Hardware List

Part	Size	Name	Quantity
A	 8x30mm	Wooden dowel	22
B	 6x35mm	Cam bolt	30
C	 15x11mm	Cam lock	30
D	 30mm	Sticker	30
E	 6x50mm	Bolt	4
F	 M4mm	Hex Key	1
G	 35mm	Hinge	4
H	 4x14mm	Screw	24
J	 Hinge	Hinge	4
K	 3.5x12mm	Screw	32
L	 Door stopper	Door stopper	2
M	 3.5x15mm	Screw	4
N	 46x13x1mm	Metal Piece	4

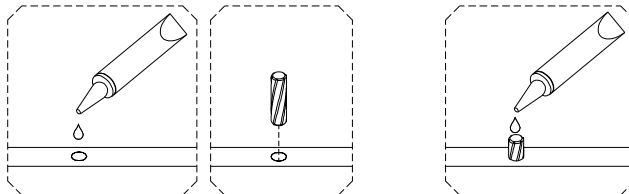
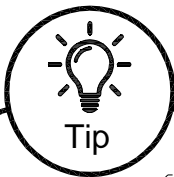
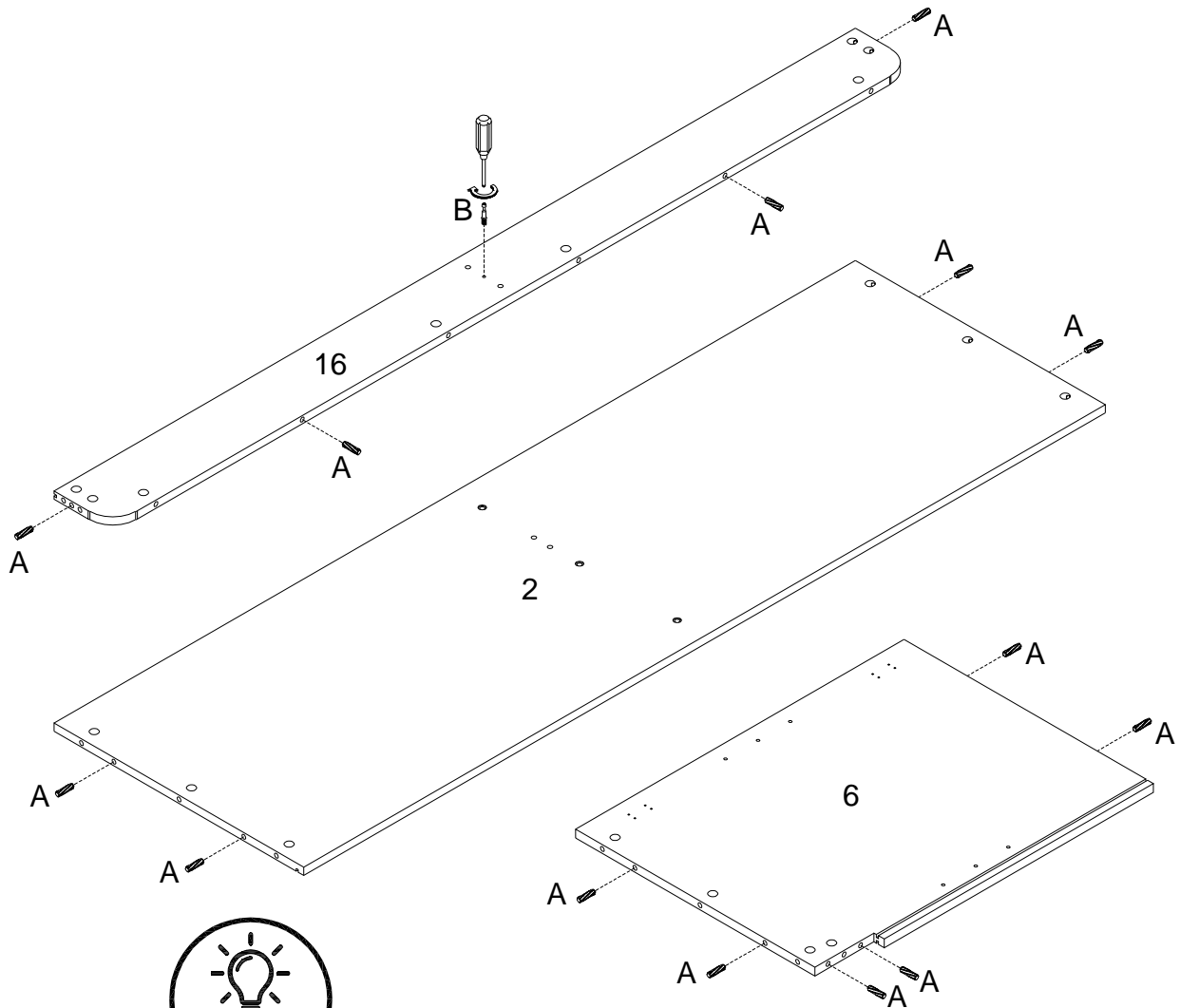
Hardware List

Part	Size	Name	Quantity
P	 3x12mm	Screw	8
Q	 8x5x16mm	Shelf support pin	8
R		Plastic wedge	16
S	 3x17mm	Screw	16
T	 M4x20mm	Bolt	12
U	 4x12mm	Screw	2
W	 4x25mm	Screw	2
X		Plastic strap	2
Y		Wall Anchor	2
Z		Glue tube	1

*The hardware quantities listed above are required for proper assembly.
Extra hardware pieces may be included.*

Step 1

Let's get started! Insert Cam Bolts (B) into the Back Top Rail (16). Then, insert Wooden Dowels (A) into the Back Top Rail (16), Bottom Panel (2), & Center Panel (6).

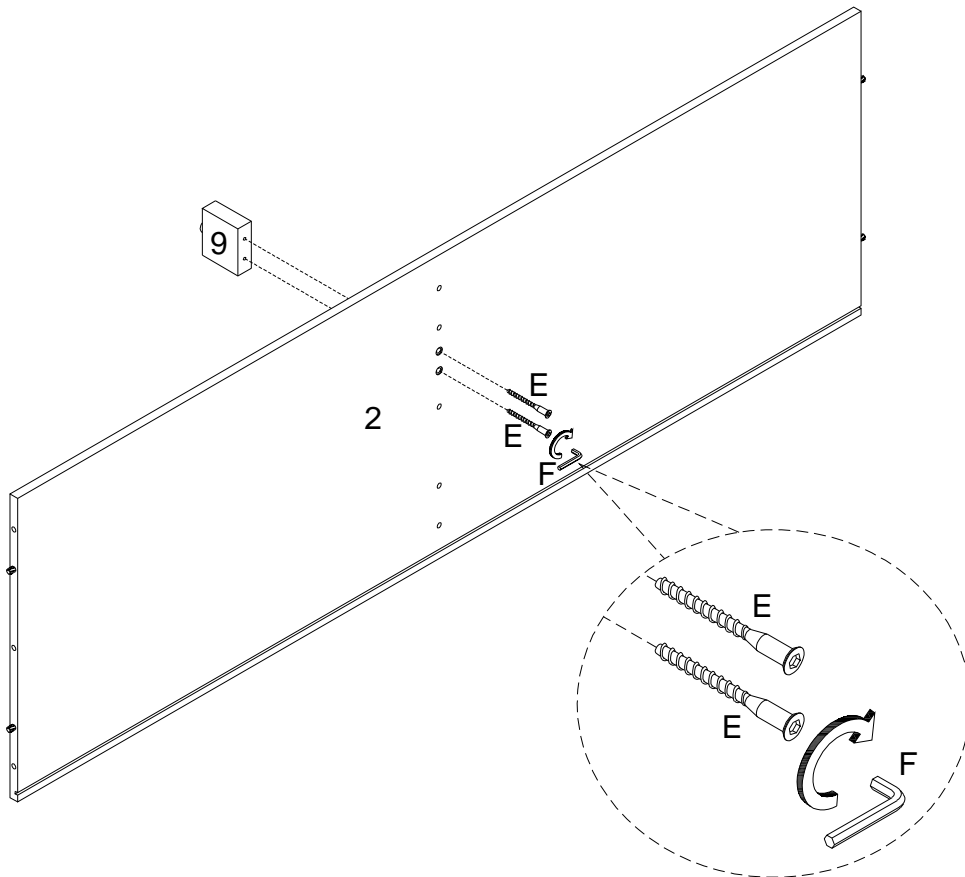


1: The provided glue is to secure wood dowels in place. When first inserting dowels, locate the appropriate hole for the dowel, place a small amount of glue in the hole and insert the dowel. Wipe away excess glue immediately.

2: In future assembly steps when dowels are necessary to attach assembly parts together, place a small amount of glue on the end of the dowel before attaching parts together. Wipe away excess glue immediately.

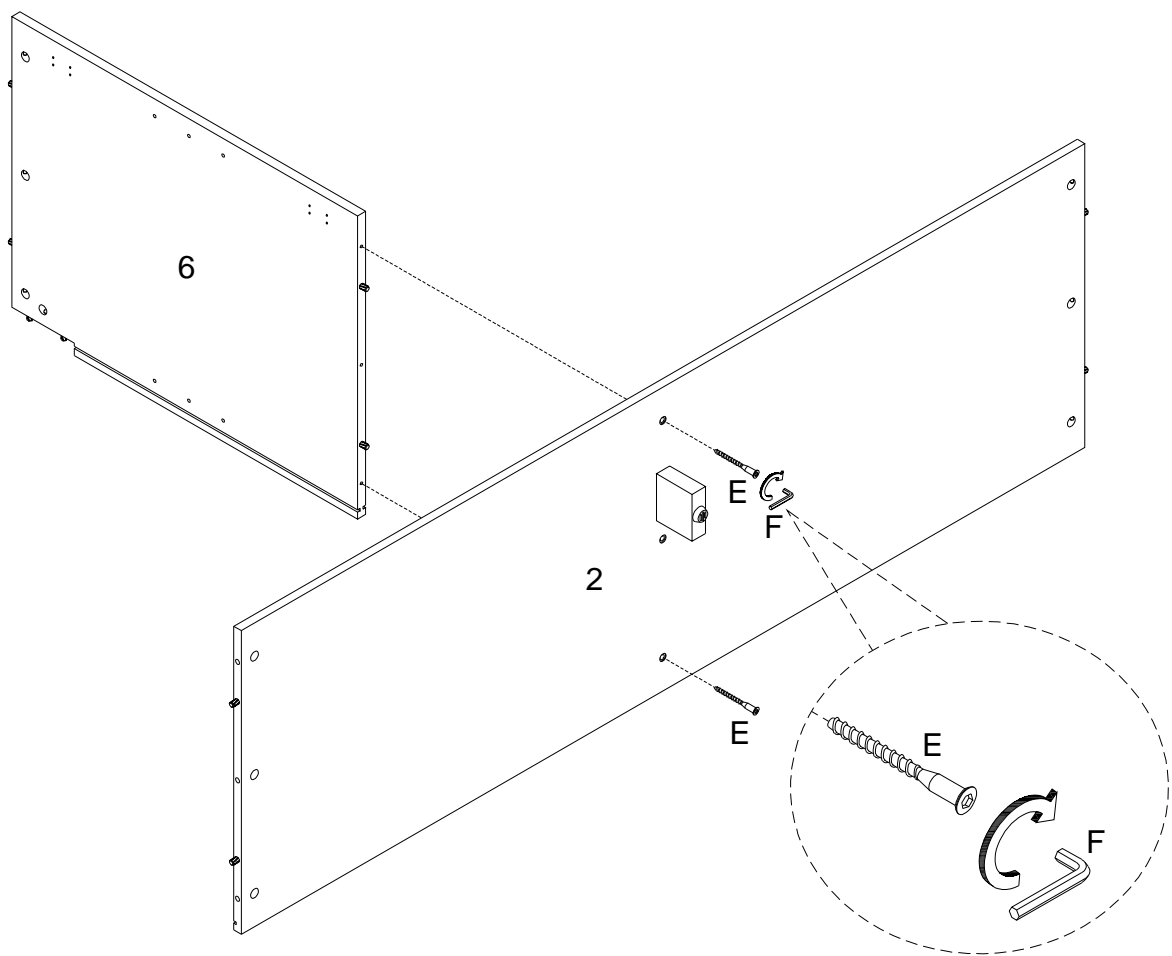
Step 2

Attach the Center Foot (9) to the Bottom Panel (2) using the 50mm Bolts (E). Tighten with the Hex Key (F).



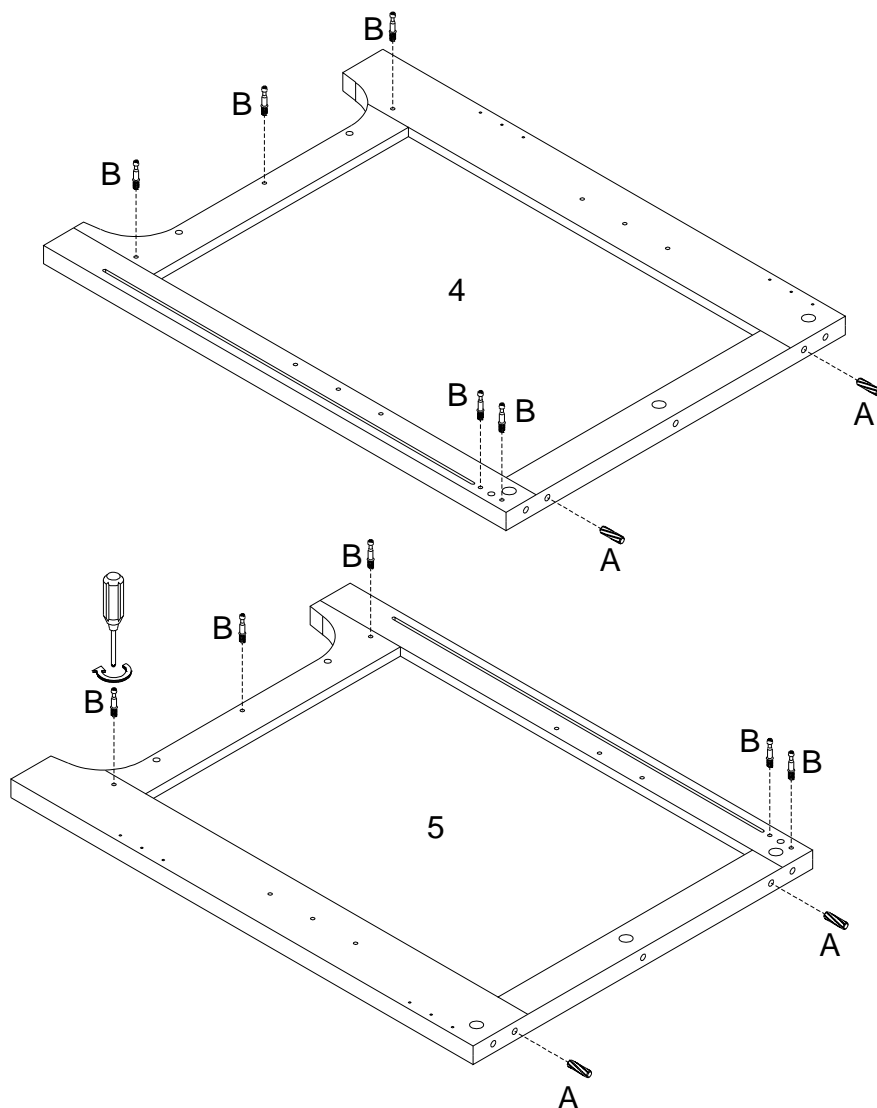
Step 3

Now, attach the Center Panel (6) to the Bottom Panel (2), securing with 50mm Bolts (E).



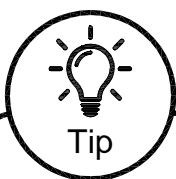
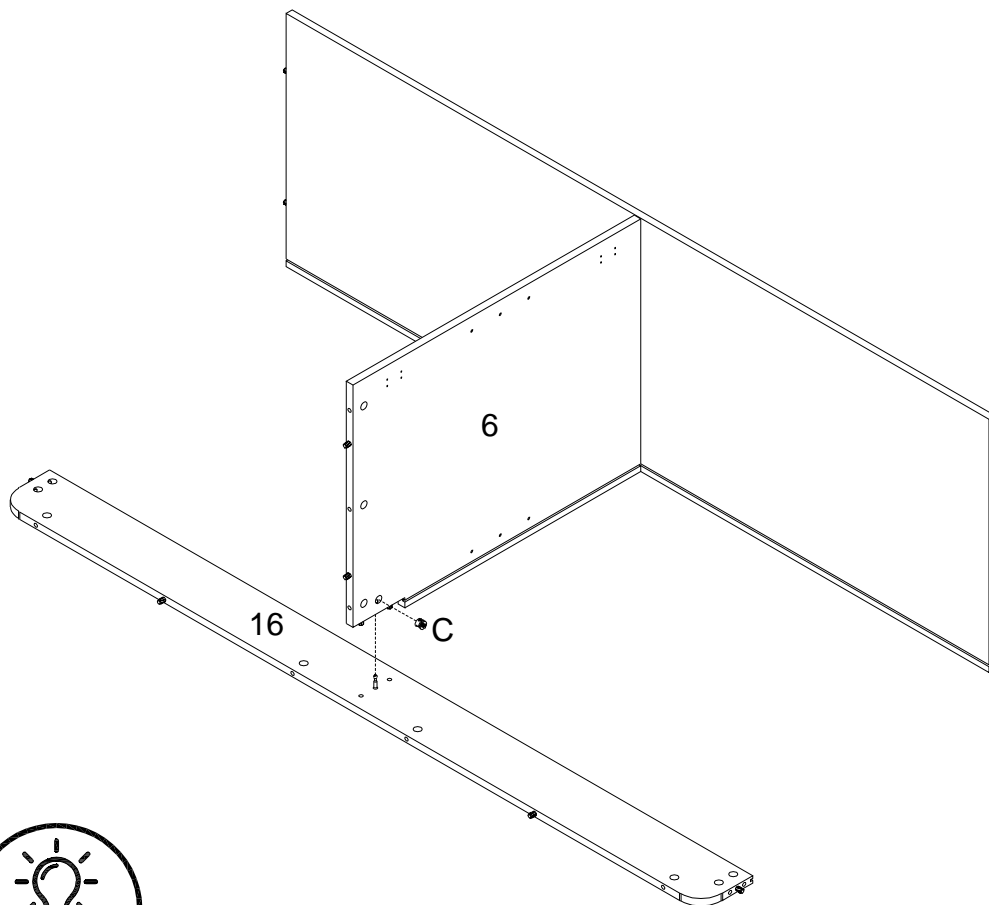
Step 4

Attach Cam Bolts (B) to the Left Panel (4) and the Right Panel (5), then insert Wooden Dowels (A).



Step 5

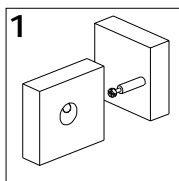
Attach the Back Top Rail (16) to the Center Panel (6) and secure with a Cam Lock (C).



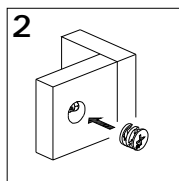
Tip

Cam Locks

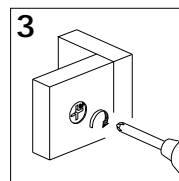
Cam Locks help securely join two pieces together.
Follow these easy steps.



1: Insert Cam Bolt into bolt holes on the flat side. Don't over tighten!



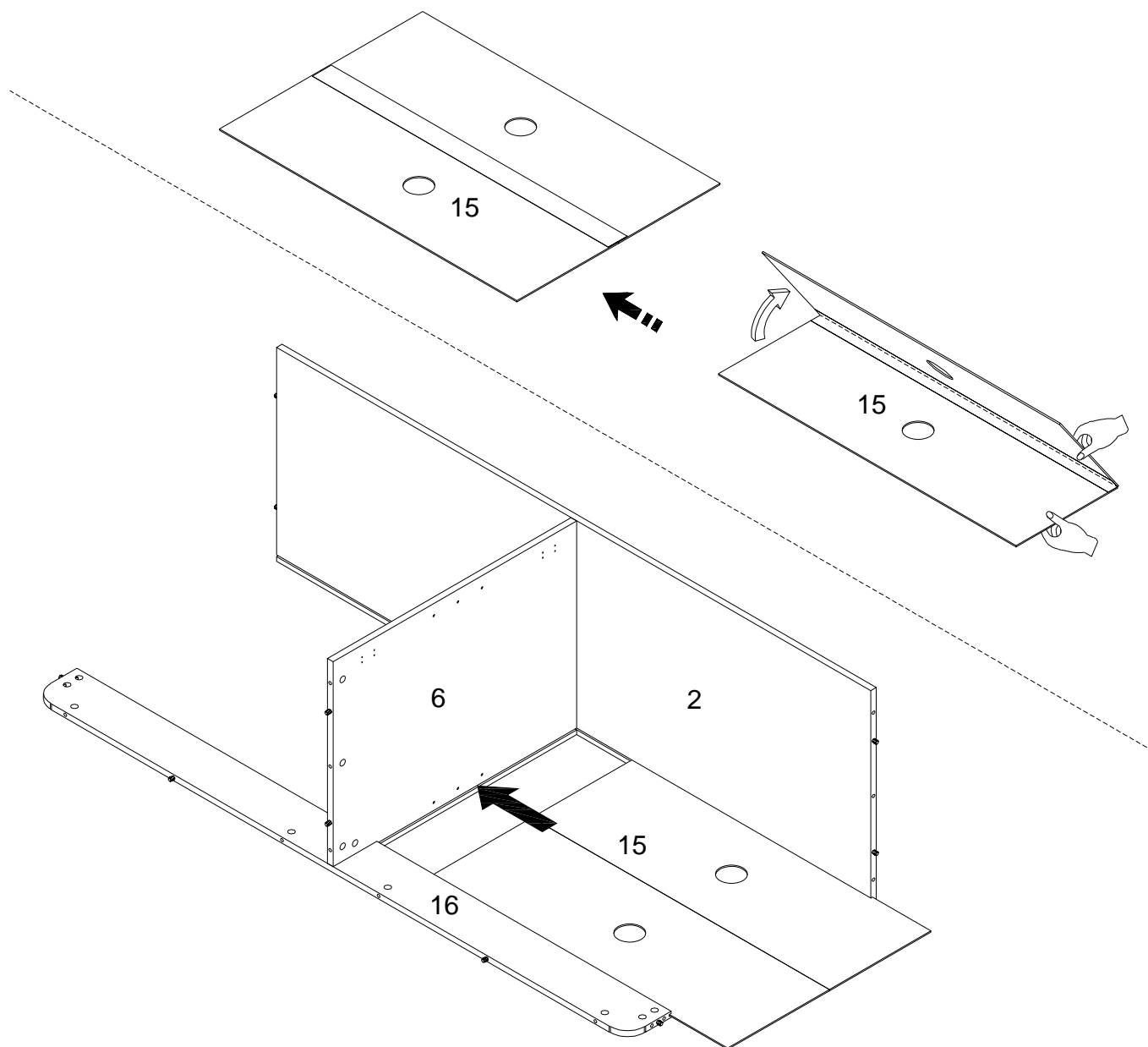
2: Fit the proper holes on the edge of the other part over the Cam Bolts. You should be able to see the cam bolts through the larger hole on the side.



3: On the back of the Cam Lock will be a "C" shape. Insert the Cam Lock so the opening of the "C" fits over the Cam Bolt. Tighten with the screwdriver.

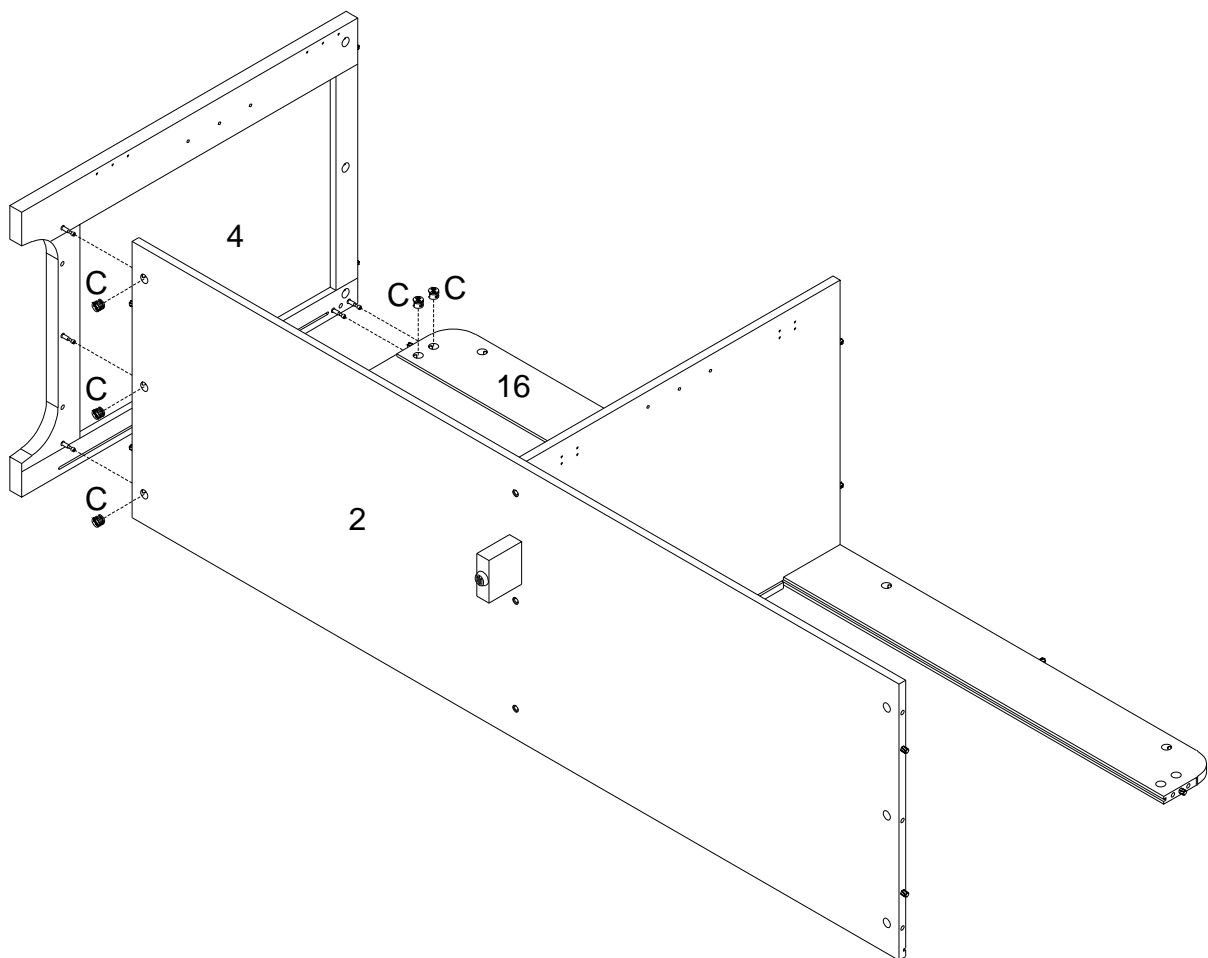
Step 6

Unfold the Back Panel (15). Insert into the appropriate side on the back of the sideboard, using the grooves.



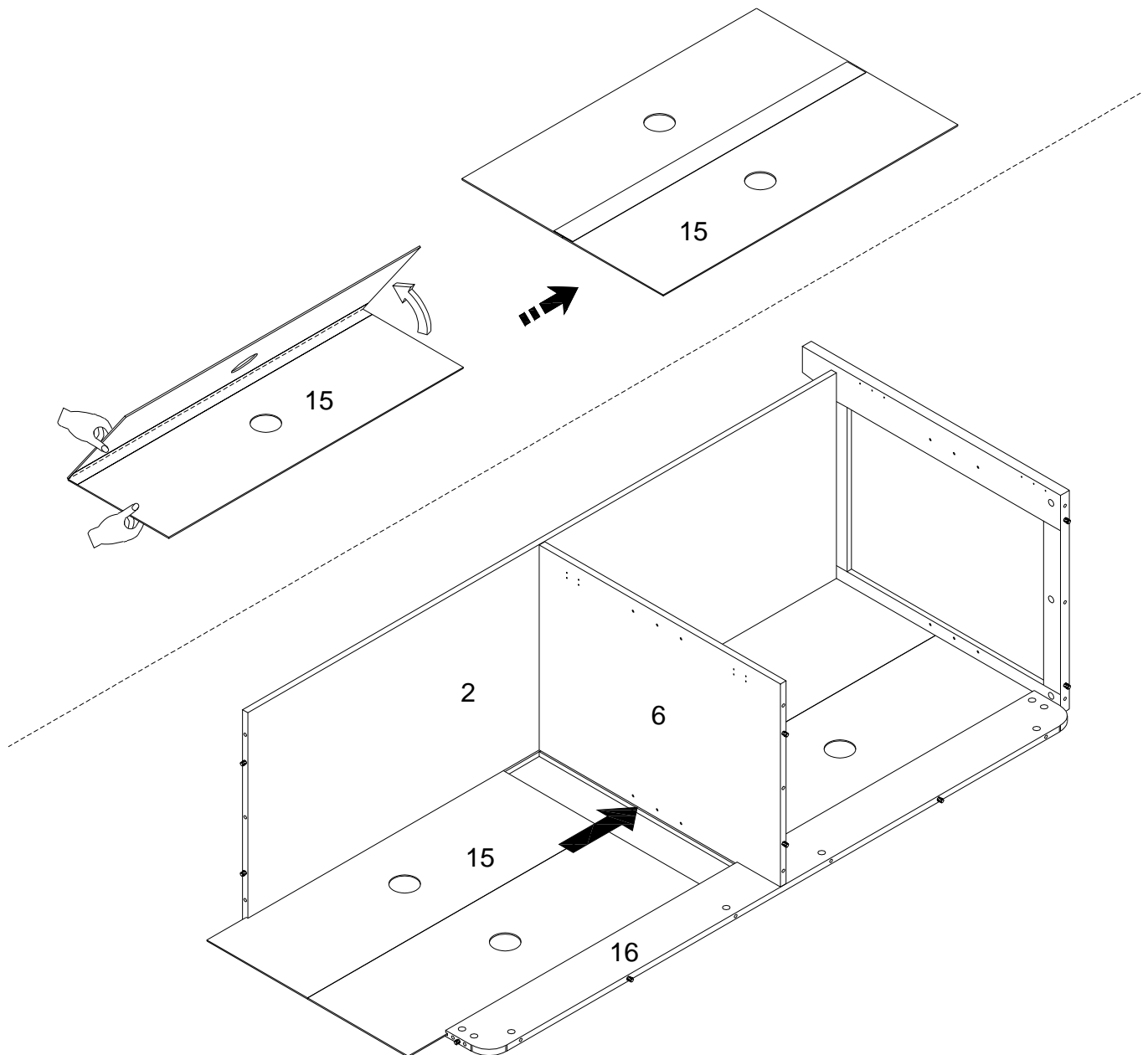
Step 7

Now attach the Bottom panel (2) and the Back Top Rail (16) to the Left Panel (4). Secure with Cam Locks (C).



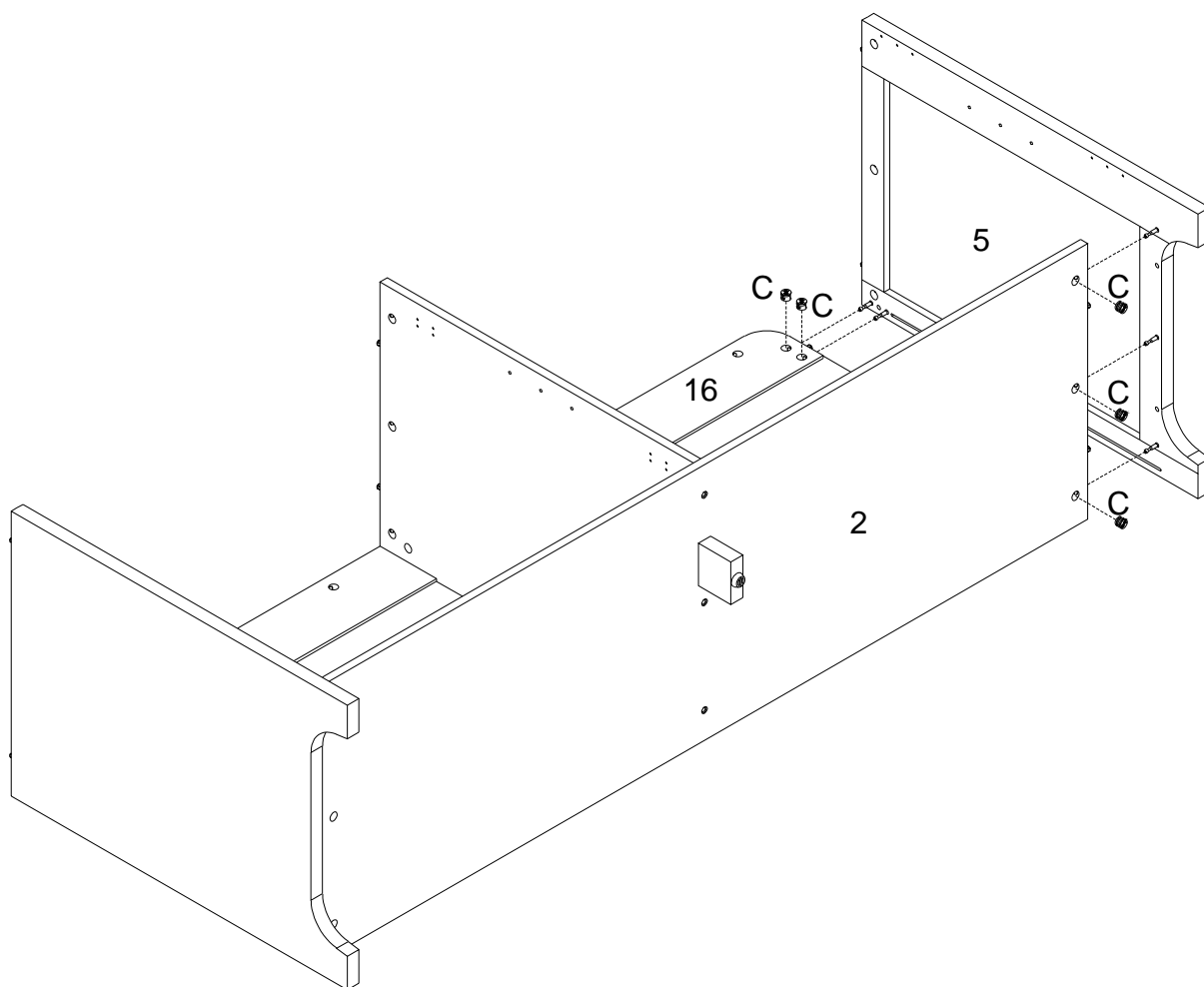
Step 8

Unfold the Back Panel (15). Insert into the appropriate side on the back of the sideboard, using the grooves.



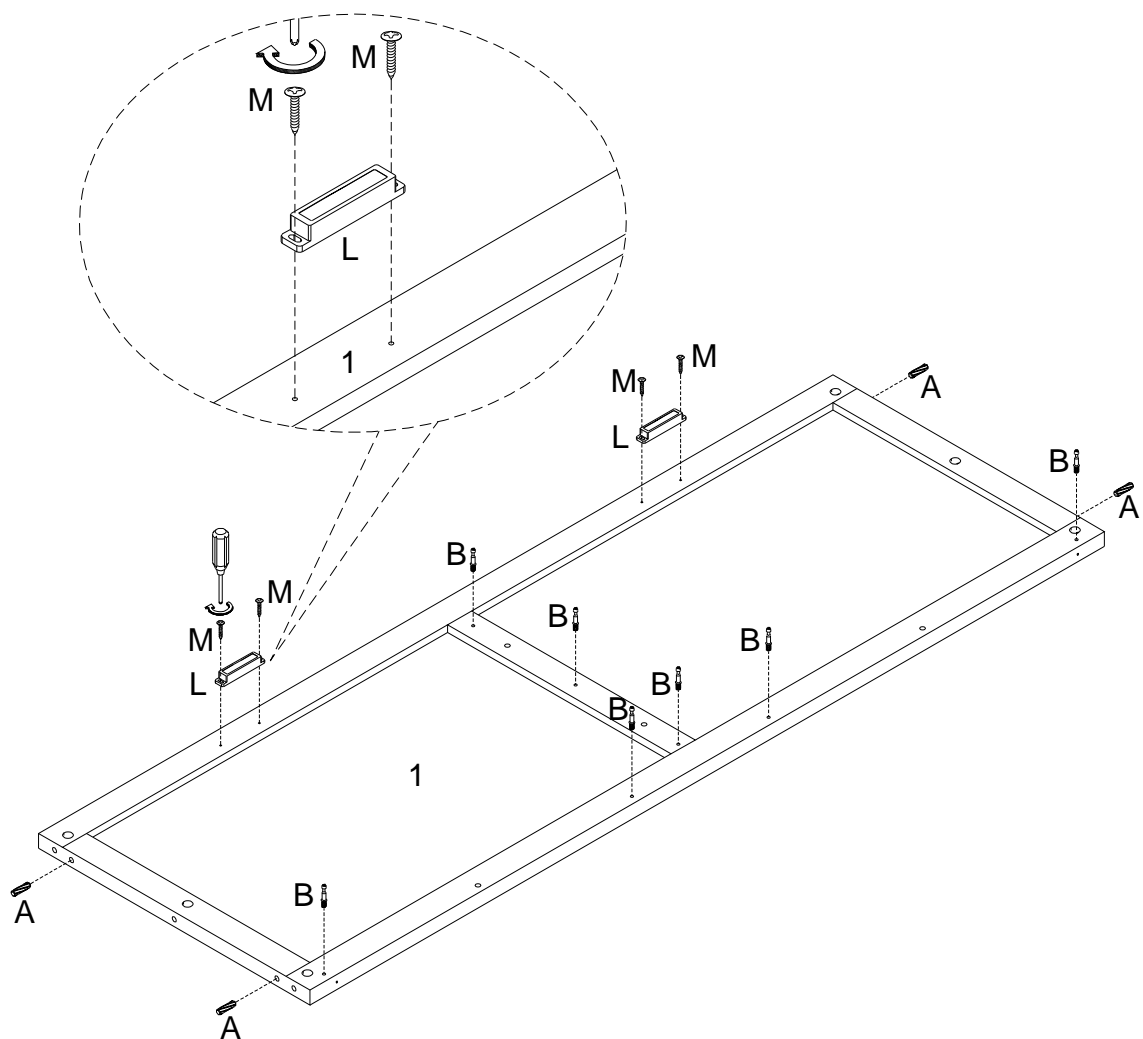
Step 9

Next, secure the Bottom Panel (2) and the Back Top Rail (16) to the Right Panel (5). Secure with Cam Locks (C).



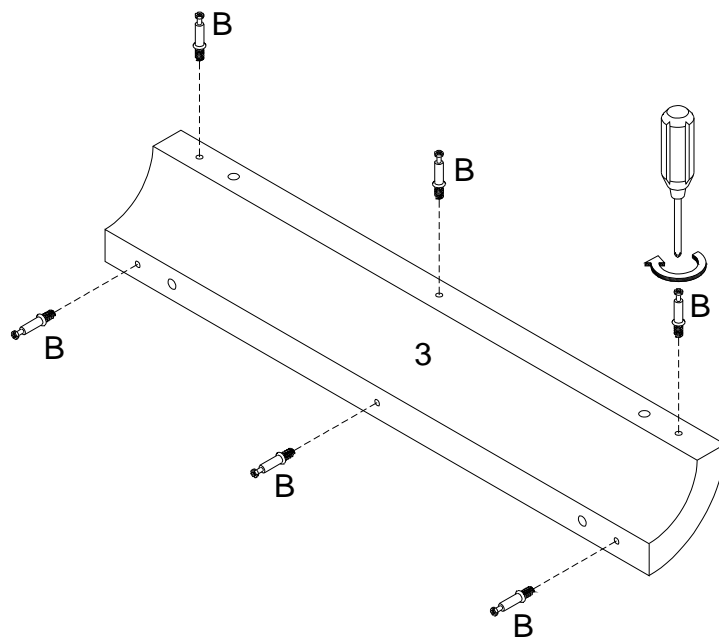
Step 10

Attach the Door Stoppers (L) to the Top panel (1) using 15mm Screws (M) to secure. Then, insert Cam Bolts (B) and Wooden Dowels (A).



Step 11

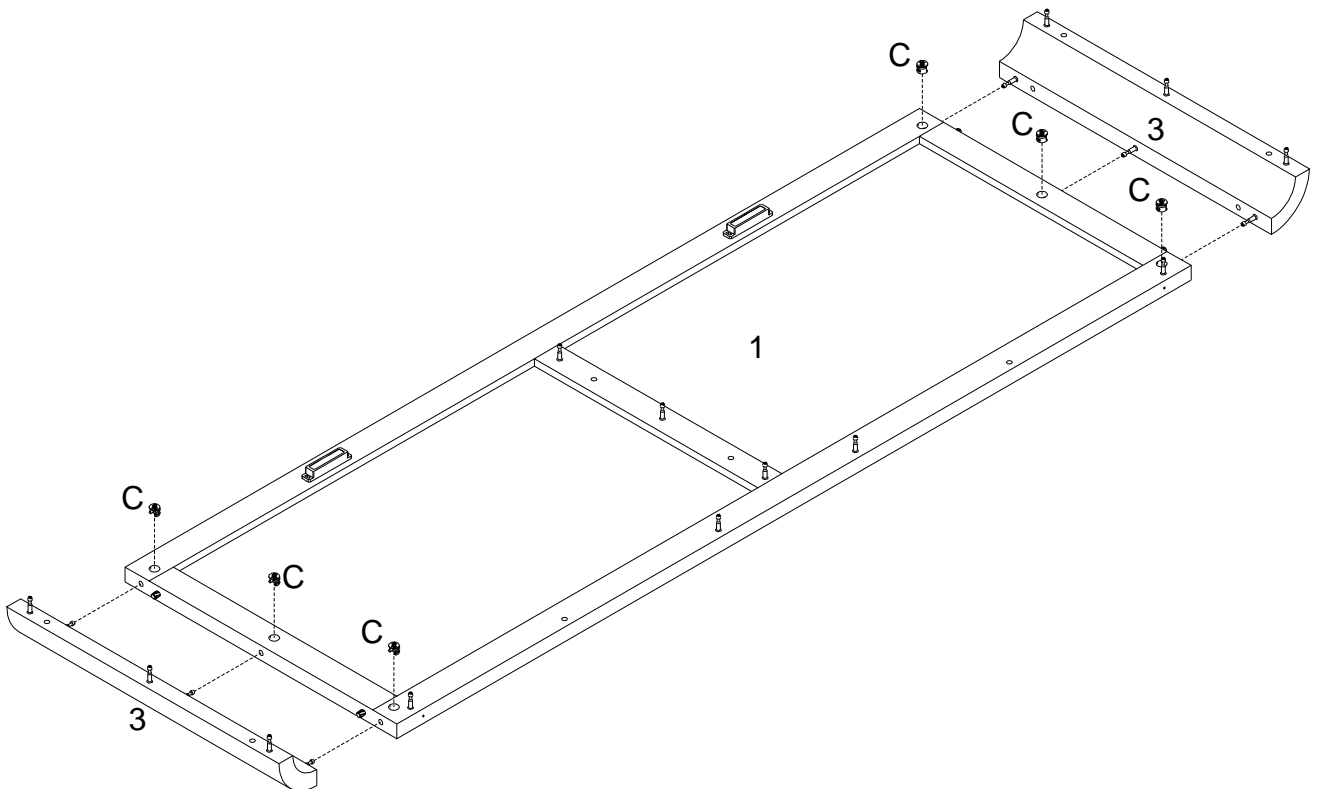
Insert Cam Bolts (B) into both Corner Panels (3) and secure with a screwdriver.



x 2

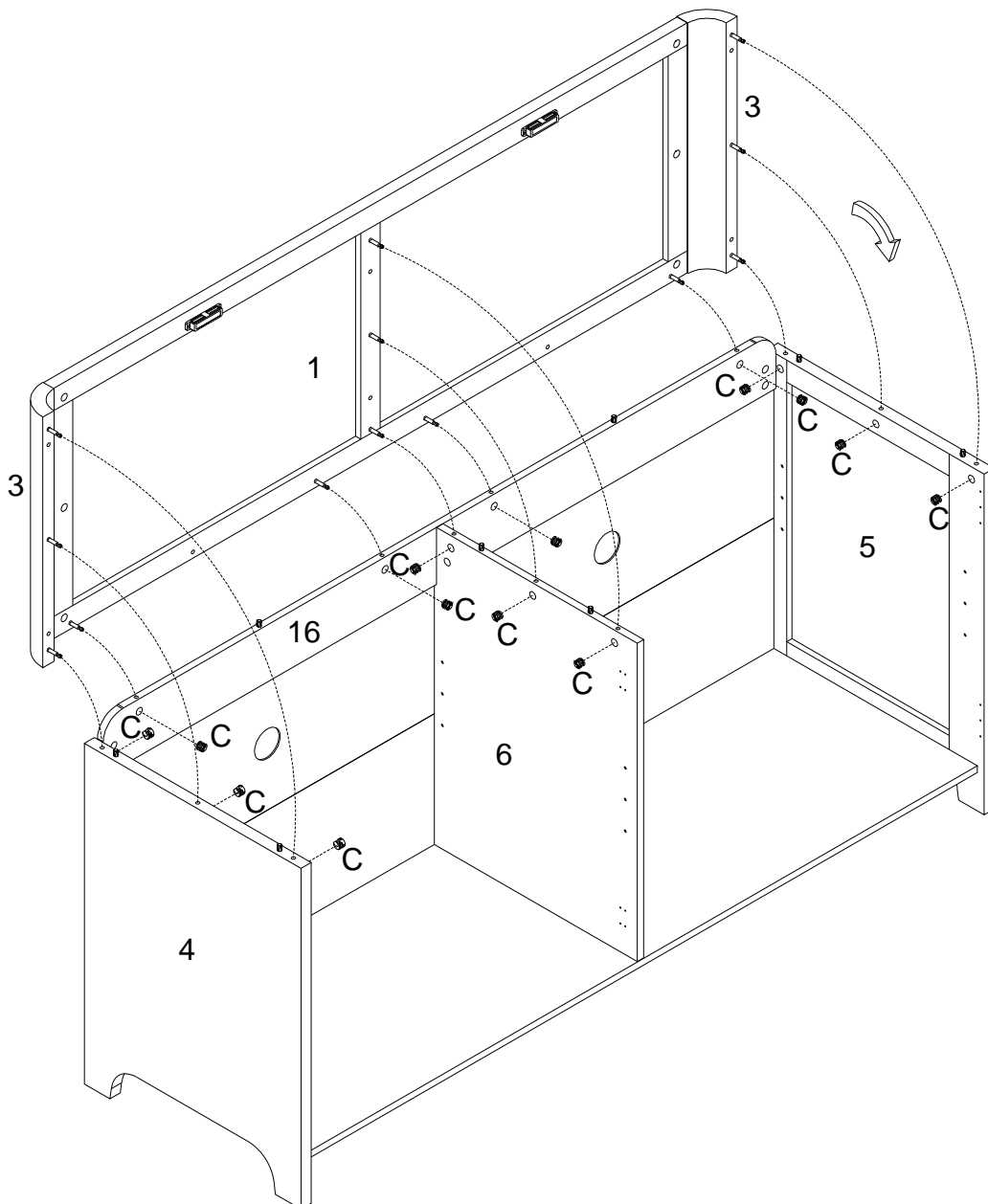
Step 12

Attach the Corner Panels (3) to the Top Panel (1) and secure with Cam Locks (C).



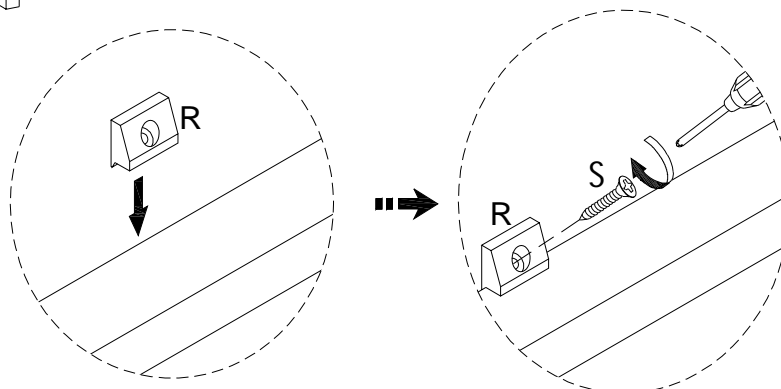
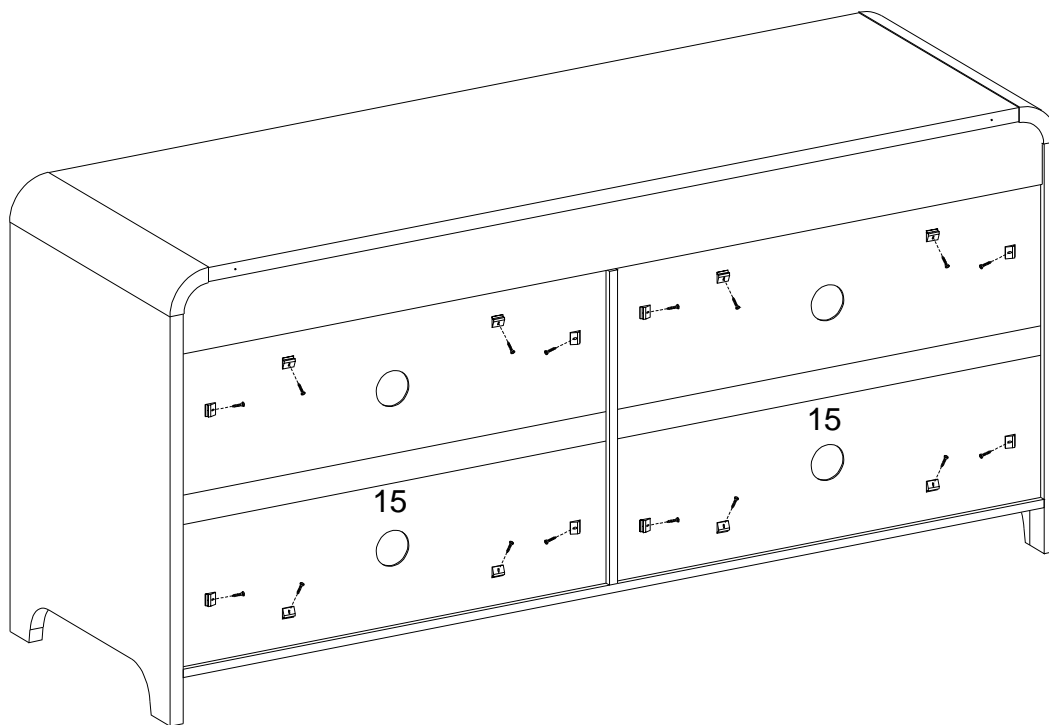
Step 13

Now, attach the Top Panel (1) to the base of the sideboard and secure With Cam Locks (C).



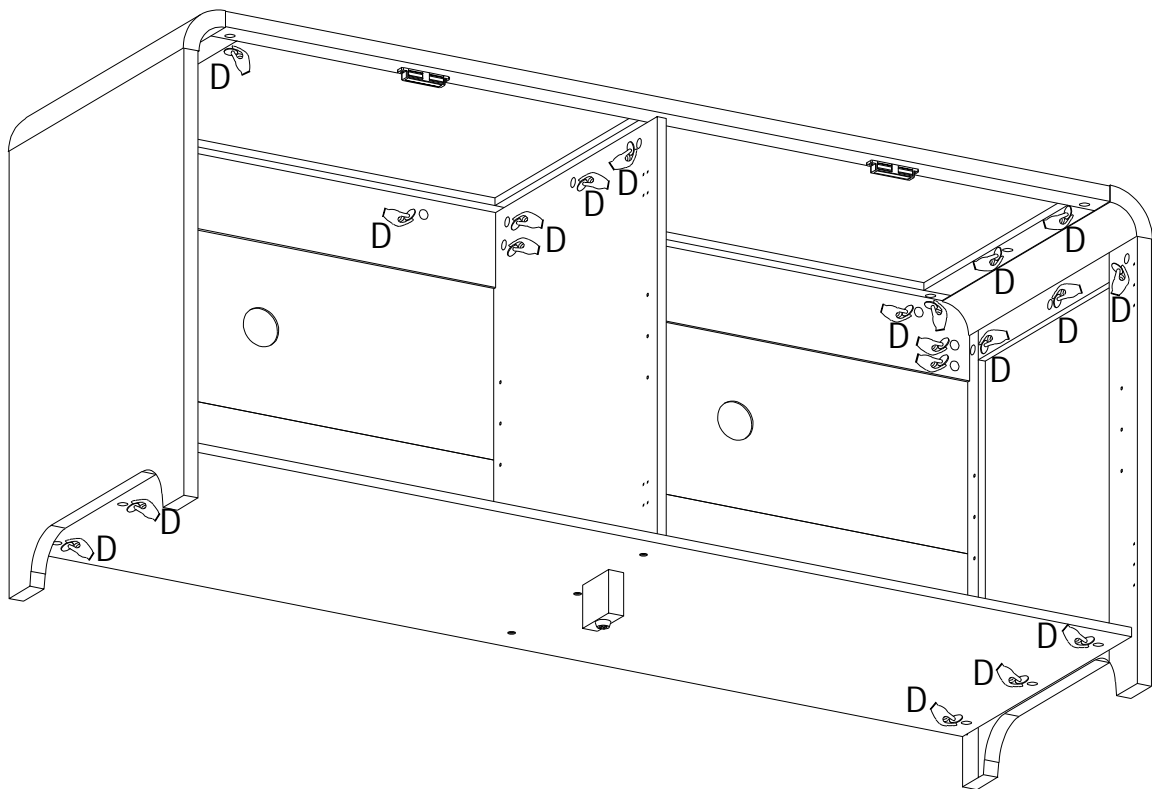
Step 14

Evenly pace Plastic Wedges (R) between the Back Panel and the frame. Secure with 17mm Screws (S).



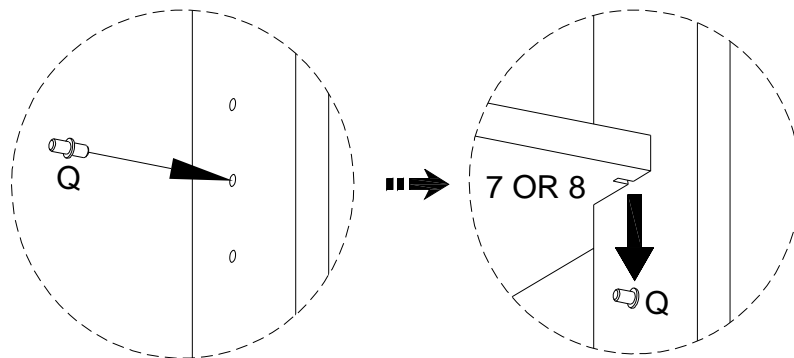
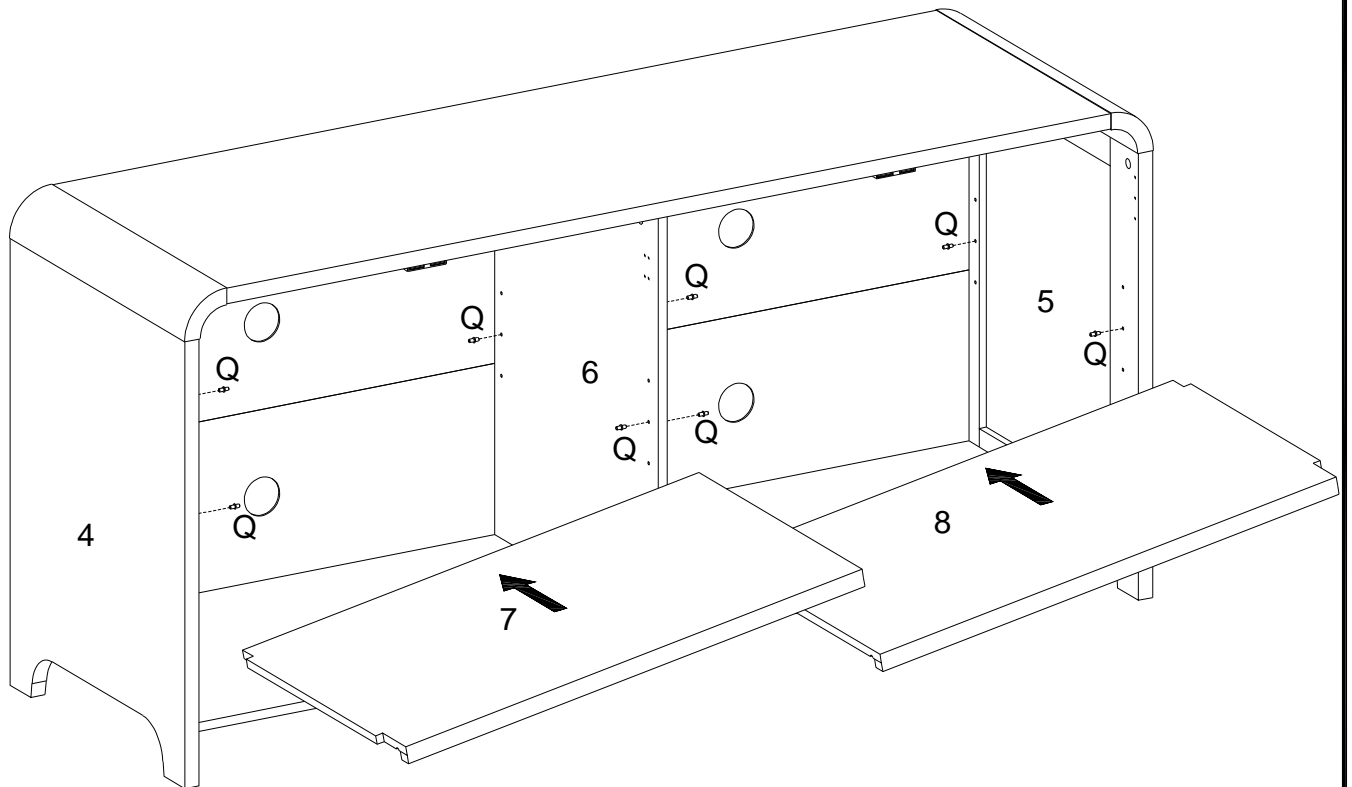
Step 15

Cover any visible Cam Locks (C) with Stickers (D).



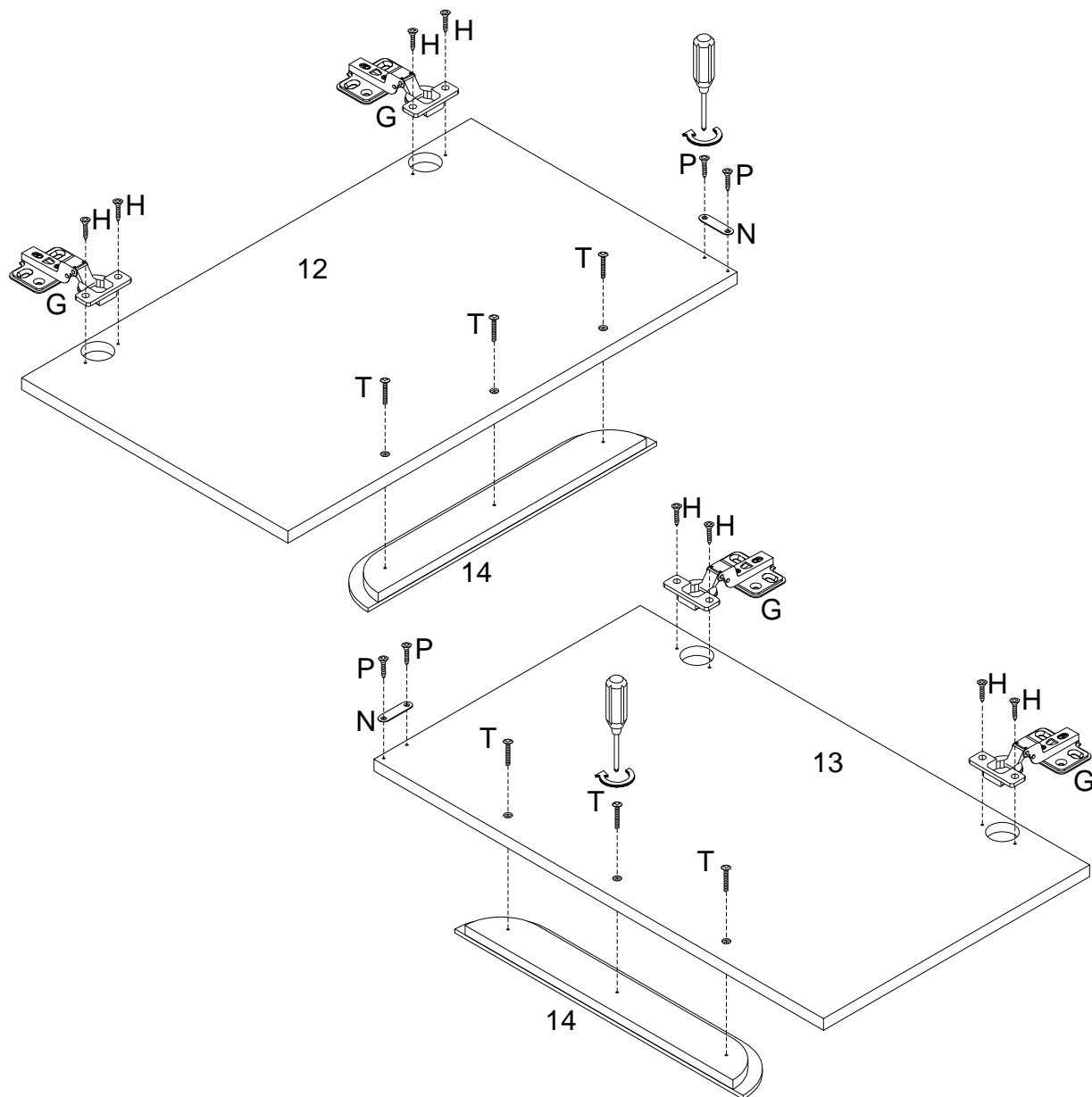
Step 16

Insert Shelf Support Pins (Q) into the pre-drilled holes at your desired height, then slide the Adjustable Shelves (7) & (8) into place.



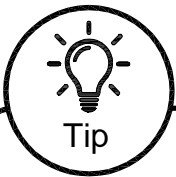
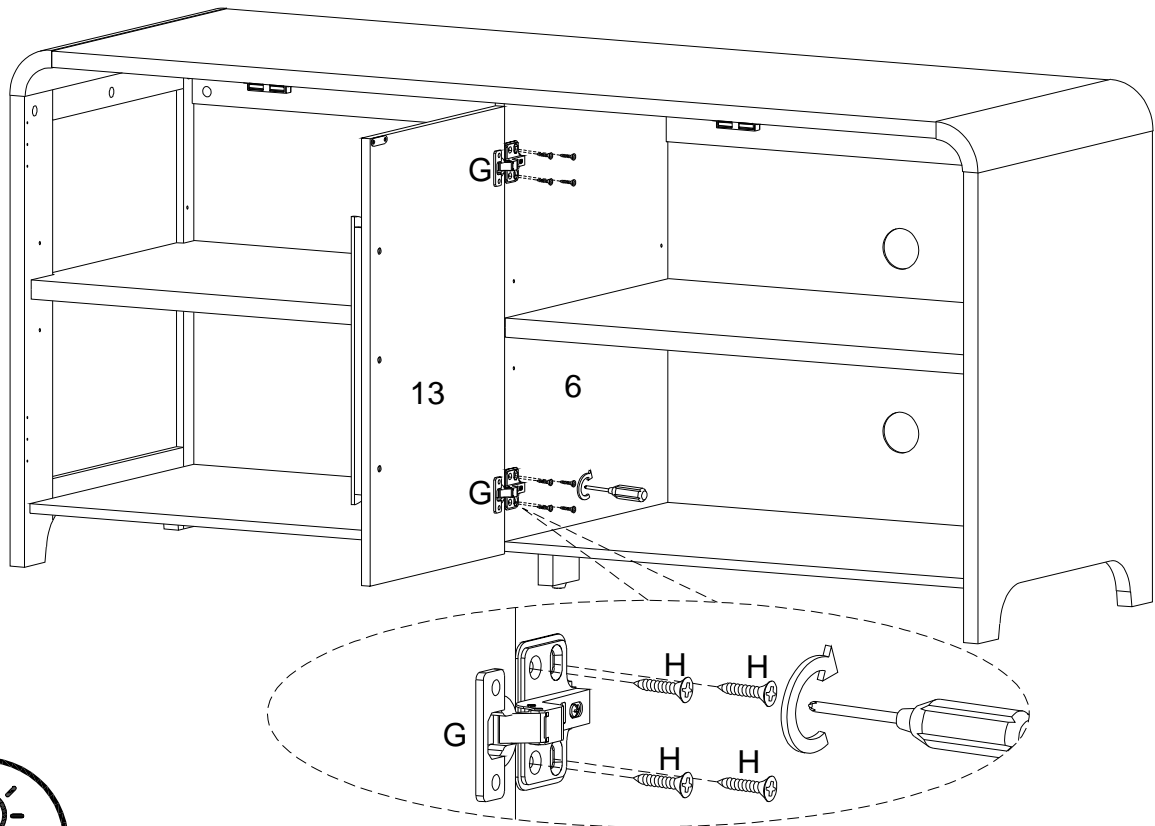
Step 17

Attach Hinges (G) to the Left Center Door (12) and Right Center Door (13) using 14mm Screws (H). Then, attach the Metal Pieces (N) to the corner of each door using 12mm Screws (P). Lastly, attach the Door Pulls (14) using 20mm Screws (T).

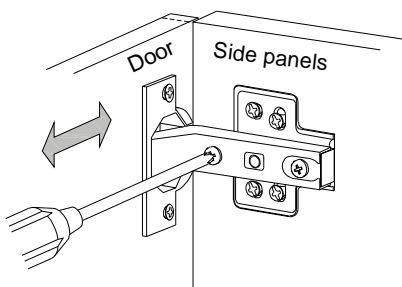


Step 18

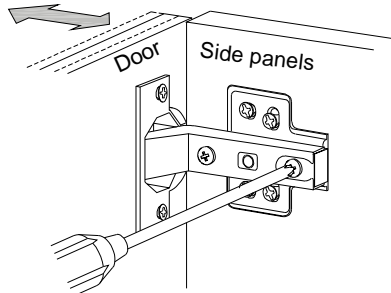
Now, attach the Right Center Door (13) hinges to the unit using 14mm Screws (H).



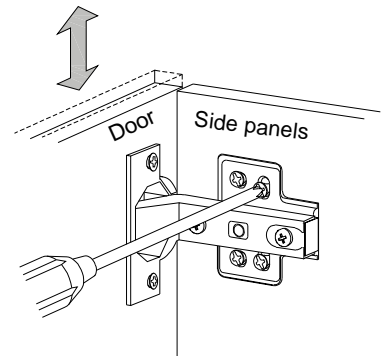
Adjusting The Cabinet Doors



Adjust horizontal width with this screw.



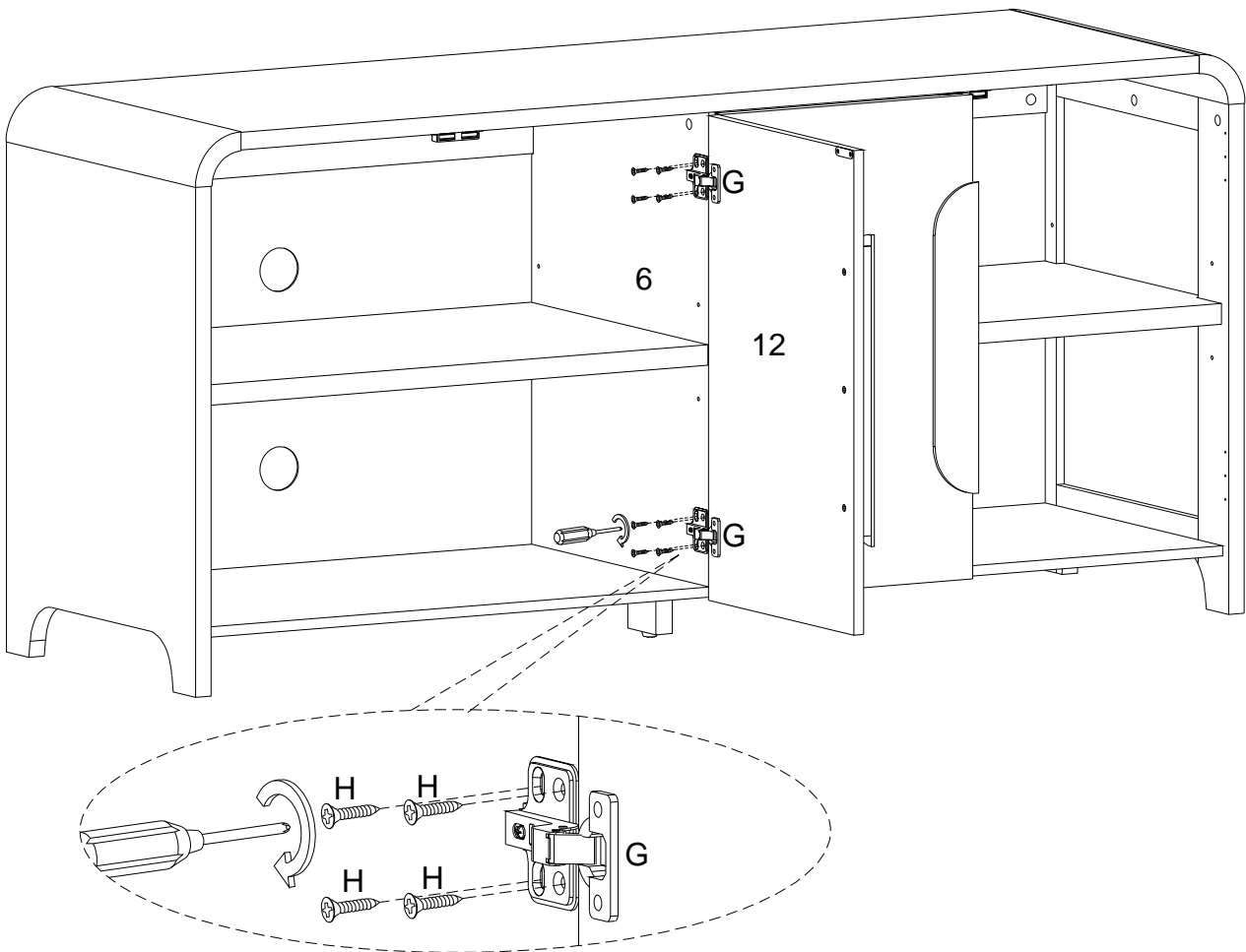
Adjust depth position by loosening the hinge arm mounting screw.



Adjust vertical height via the screws in the mounting plate.

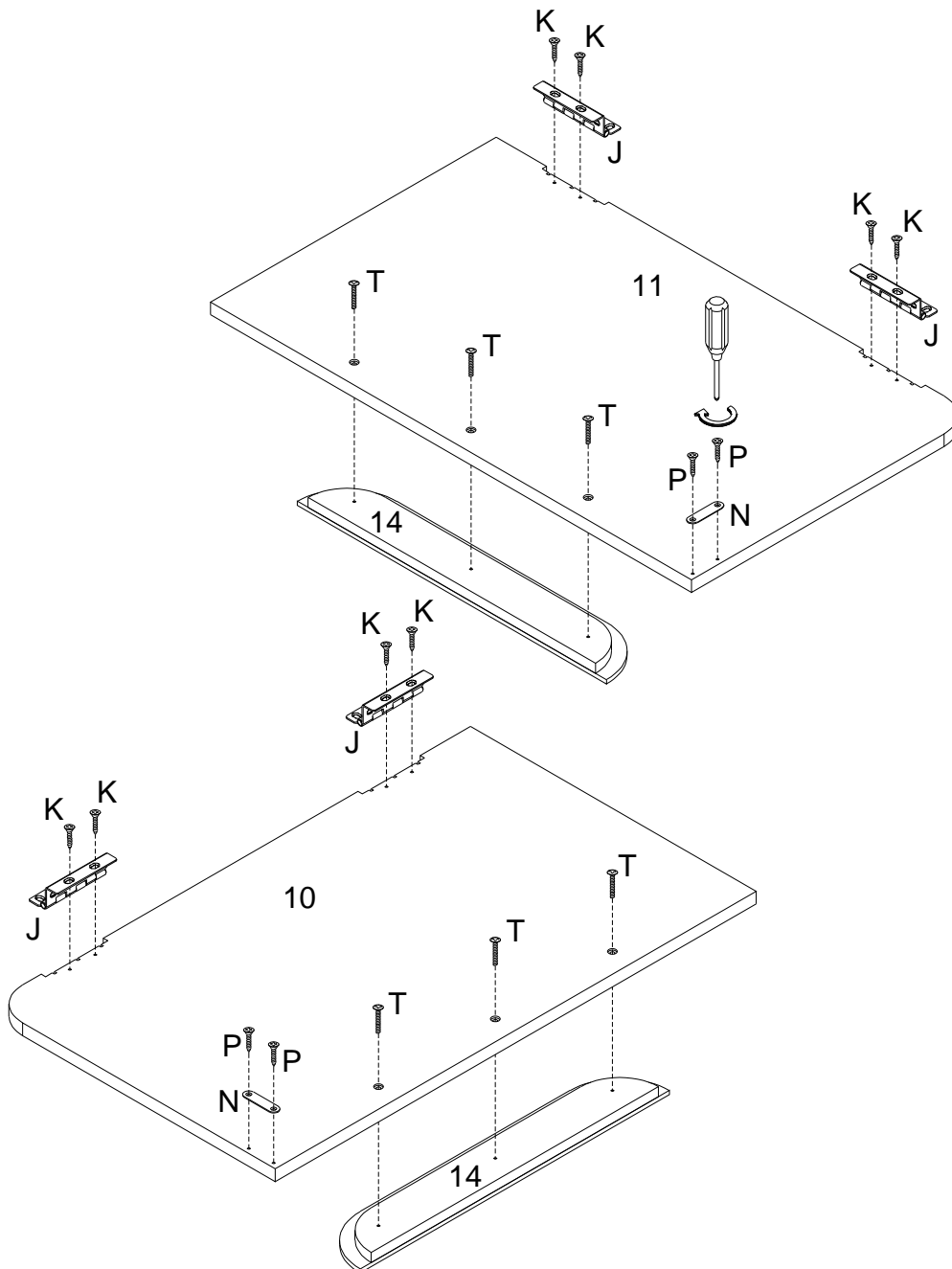
Step 19

Attach the Left Center Door (12) using 14mm Screws (H).



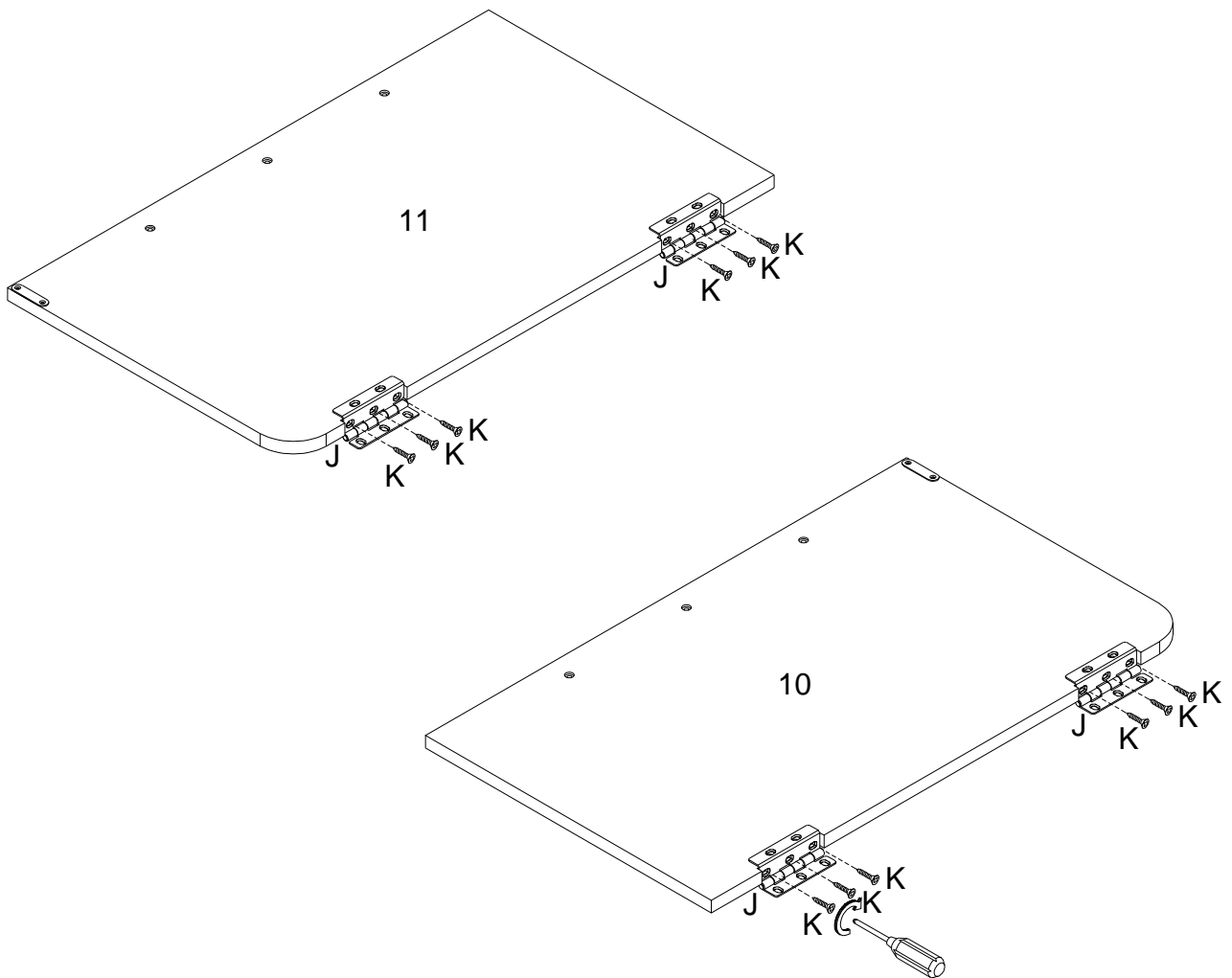
Step 20

Attach Hinges (J) to the Left Door (10) and Right Door (11) using 12mm Screws(K). Then, attach the Metal Pieces (N) to the corners using 12mm Screws (P). Lastly, attach the Door Pulls (14) using 20mm Screws (T).



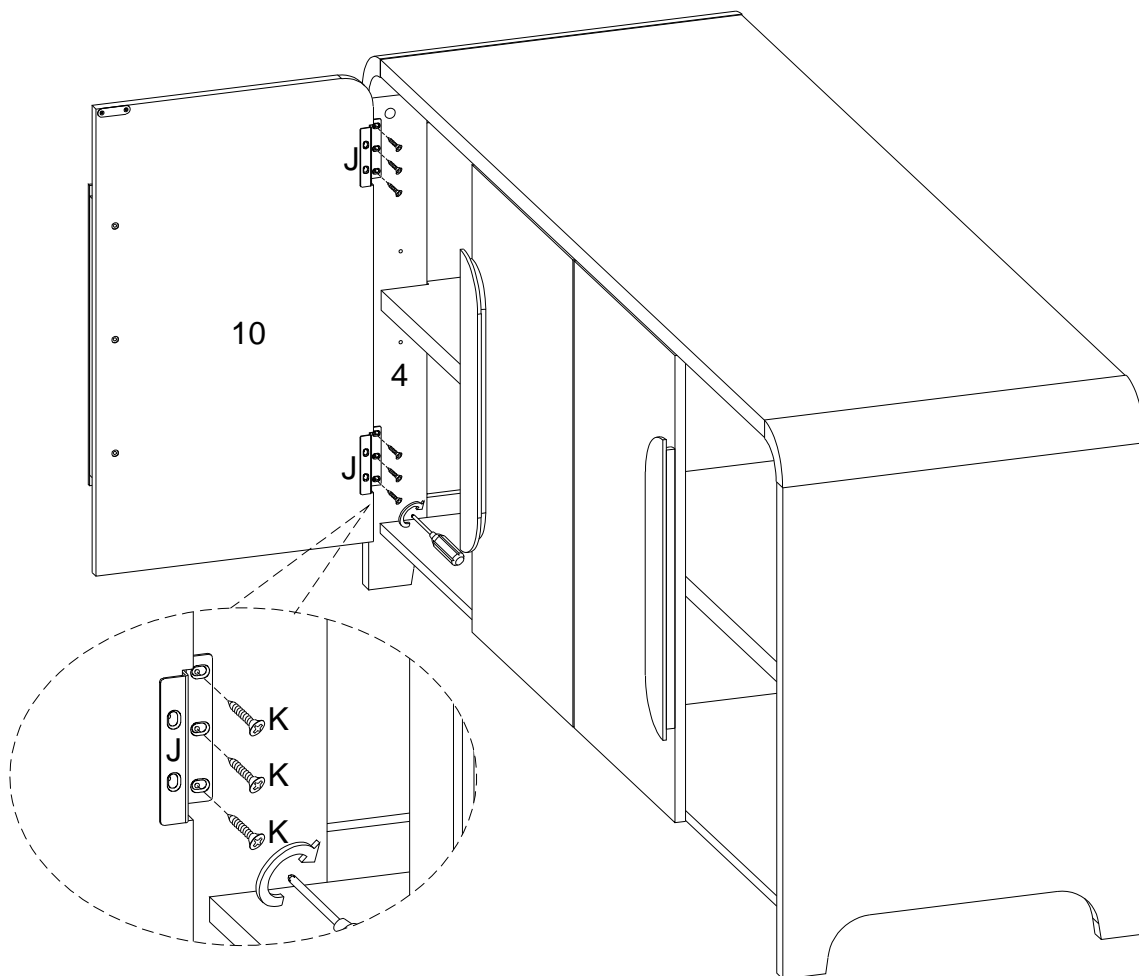
Step 21

Attach the Hinges (J) to the Left Door (10) & Right Door (11) using 12mm Screws (K).



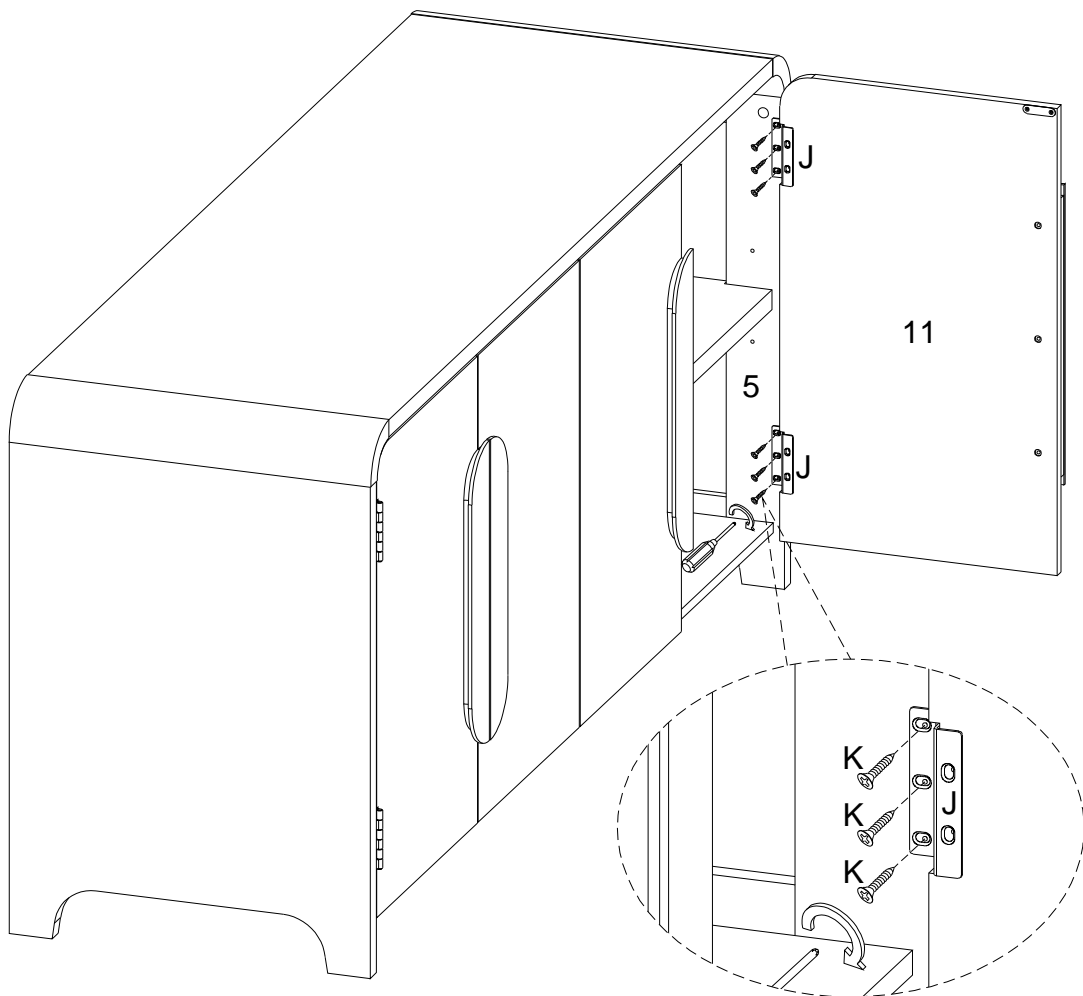
Step 22

Connect the Hinge (J) on the Left Door (10) to the Left Panel (4) using 12mm Screws (K).



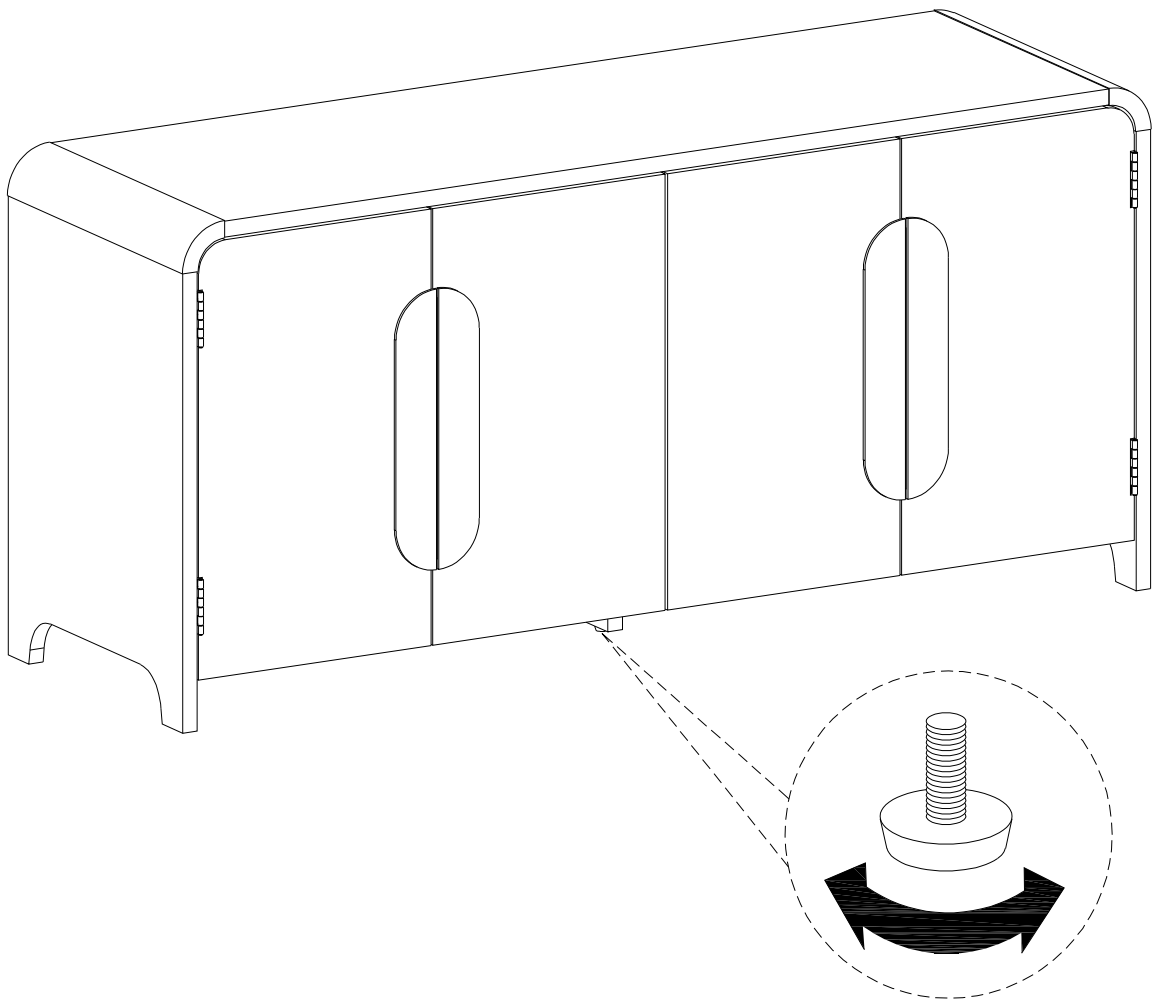
Step 23

Now, attach Hinge (J) on the Right Door (11) to the Right Panel (5) using 12mm Screws (K).



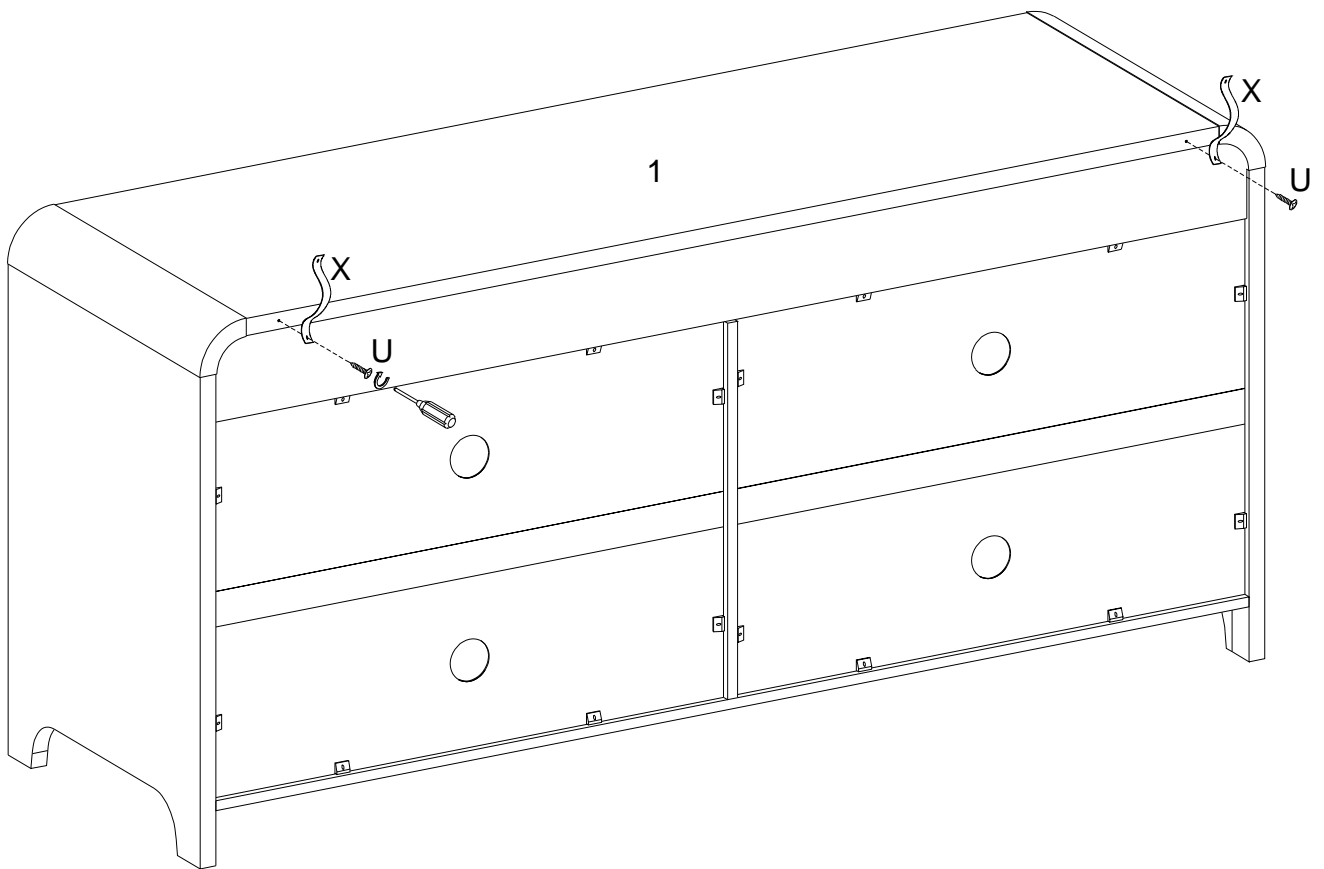
Step 24

Rotate the adjustable feet to ensure a level surface.



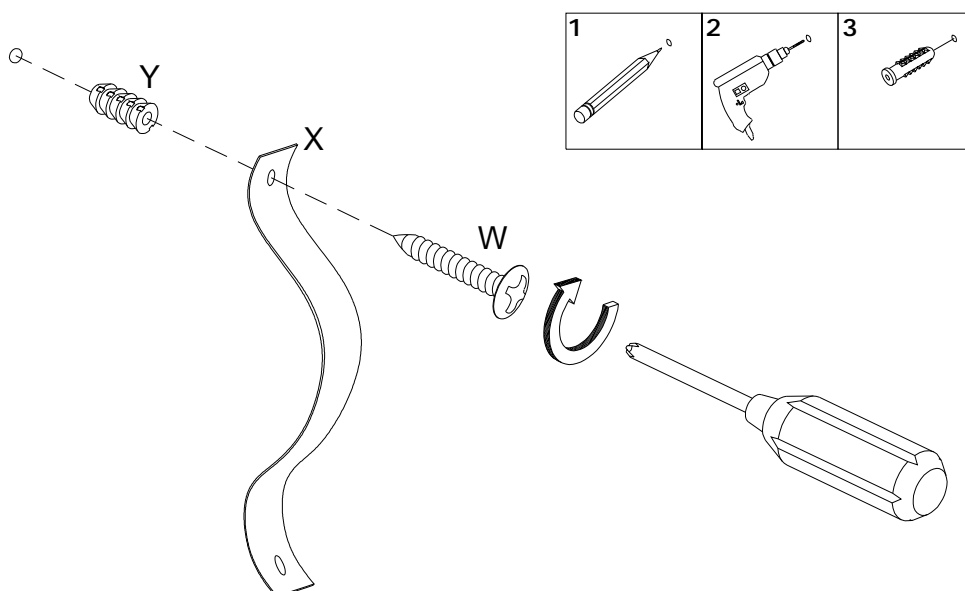
Step 25

You're so close now. Let's secure your sideboard to the wall. Using the 12mm Screws (U), attach the Plastic Straps (X) to the back of the sideboard.



Step 26

Now, pre-drill a hole into the wall and insert the Nut (Y).
Secure the Plastic Straps (X) to the wall using 25mm Screws (W).

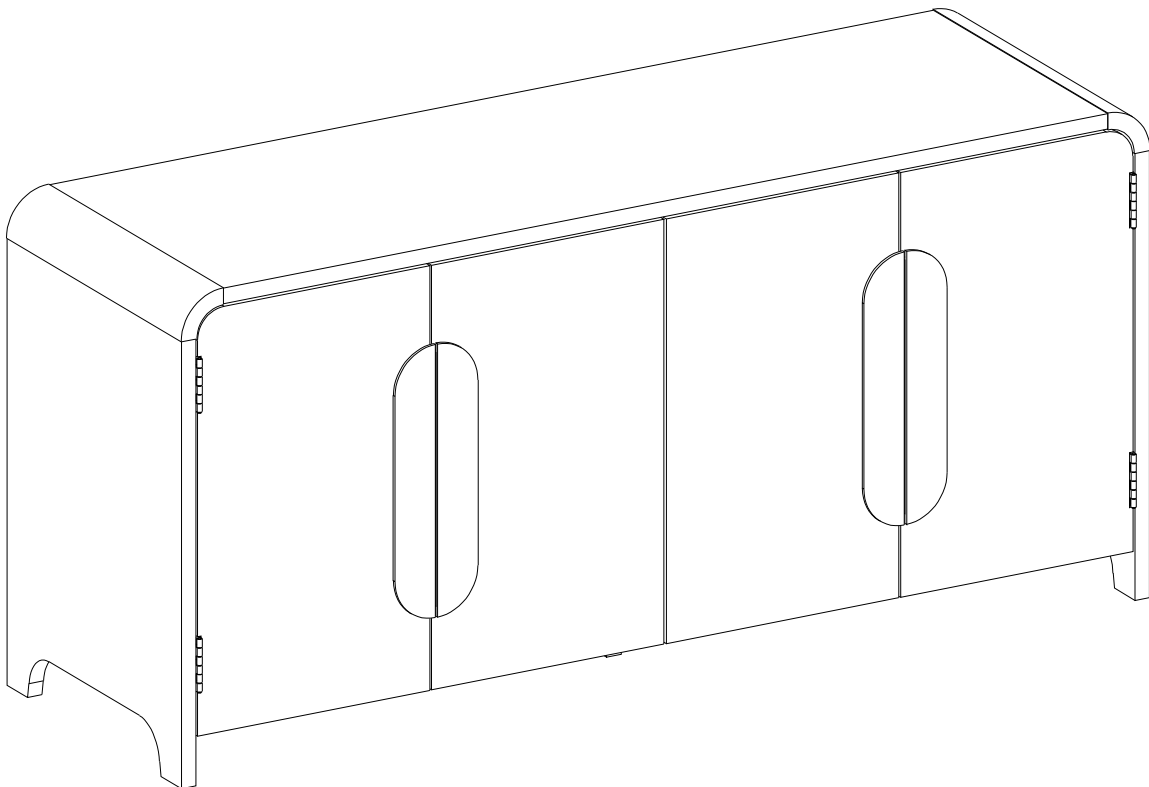


Warning

Serious or fatal injuries can occur from furniture tipping over. To prevent the furniture from tipping over we recommend that it is permanently fixed to the wall. Wall anchor and hardware are included with this product. Please make sure hardware is suitable for your walls before installing, as different wall materials may require different types of anchors.

Final Assembly

Your work here is done. Great job!



Congratulations on your new piece of furniture!

We would love to hear about it and see it.
Please leave us a review or post a picture with