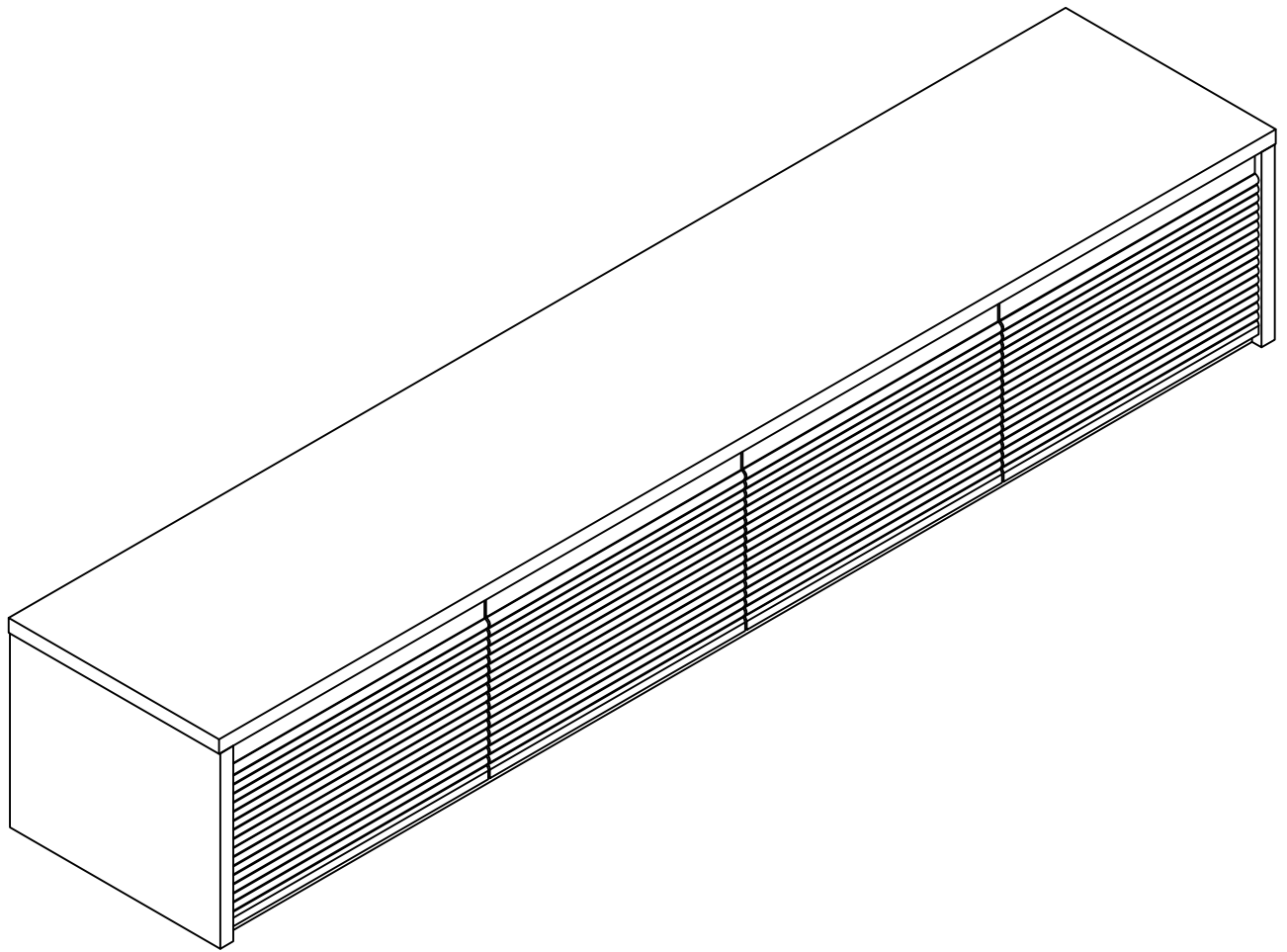
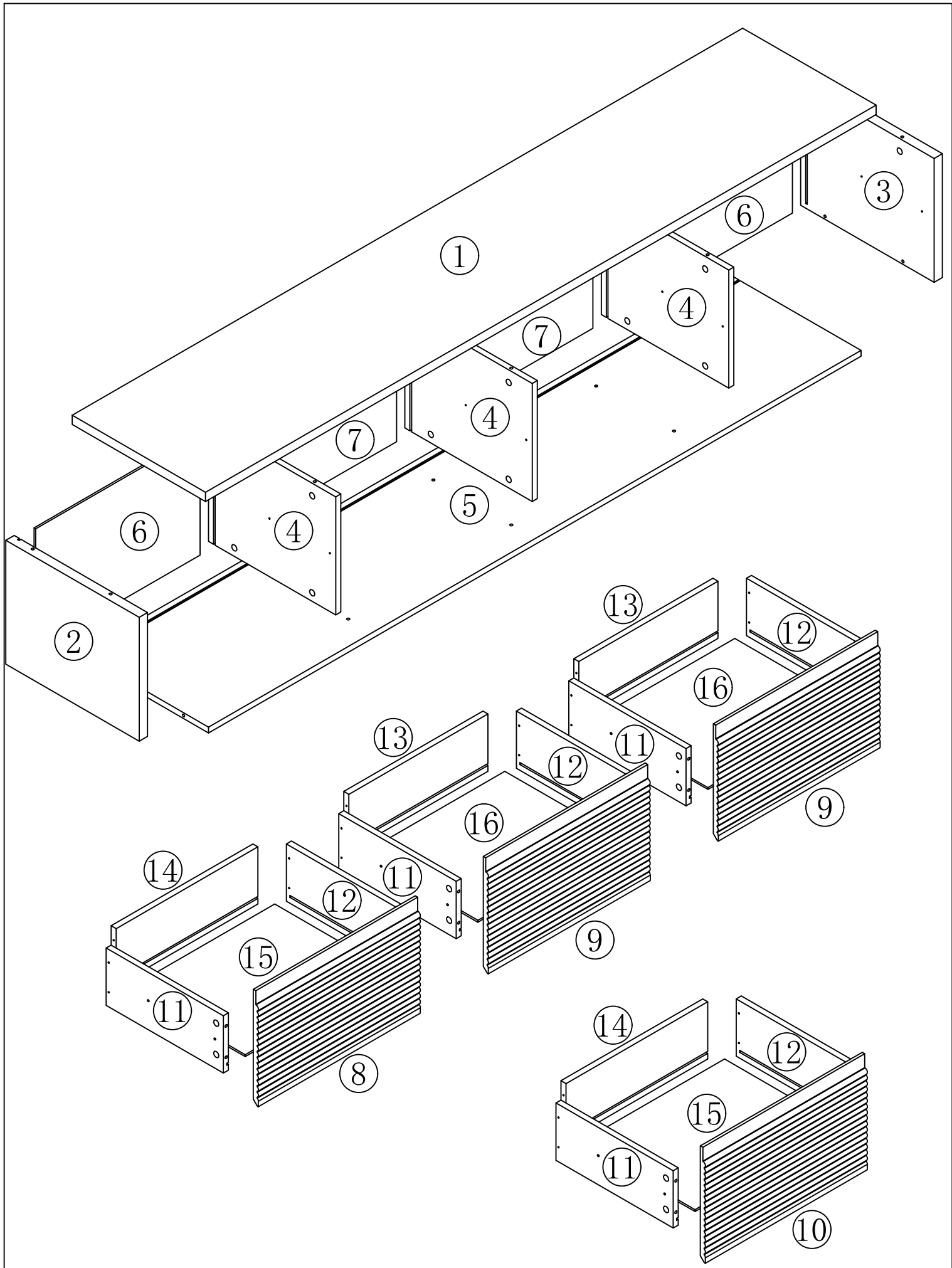
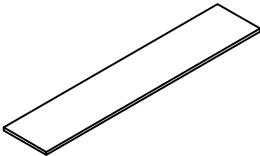
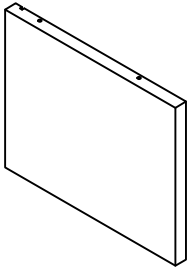
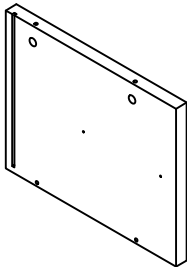
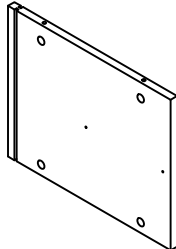
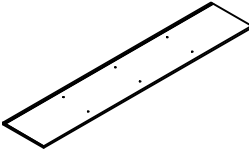
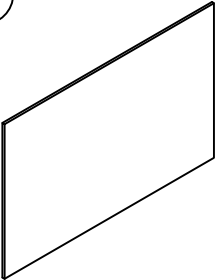
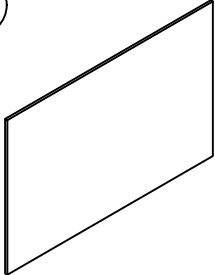
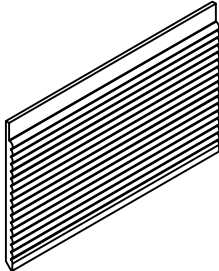
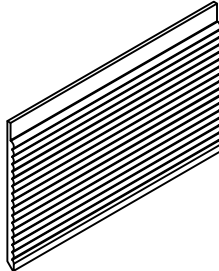
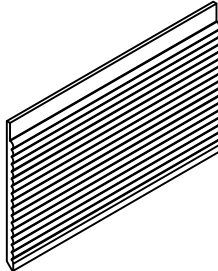
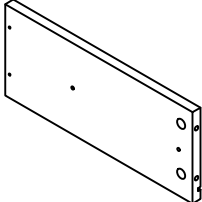
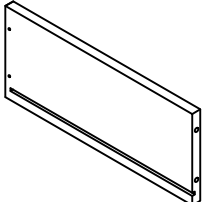
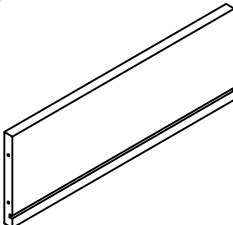
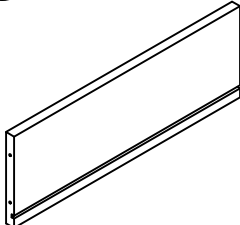
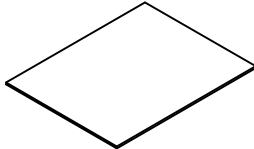
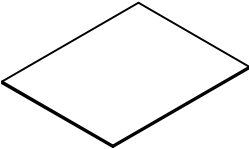


INSTALLATION & ASSEMBLY

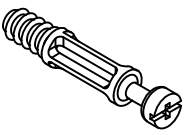
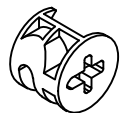
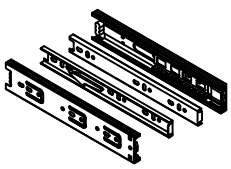


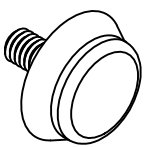
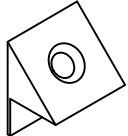
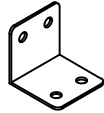
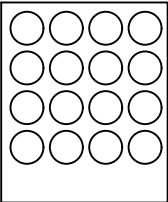
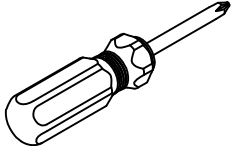


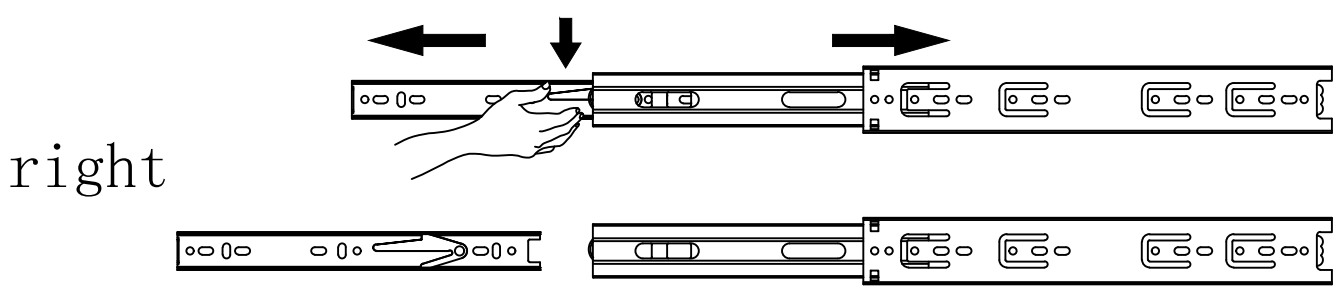
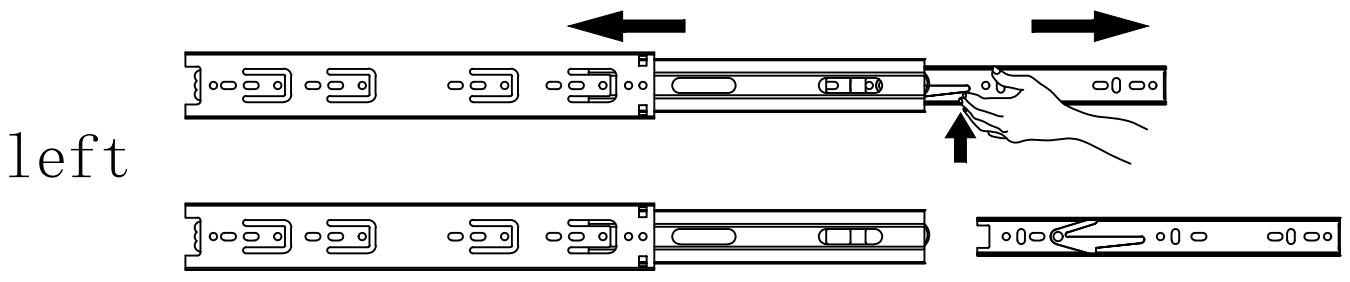
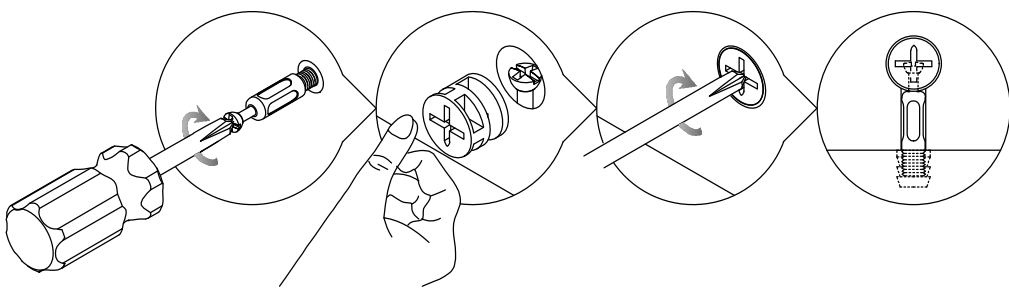


PARTS LIST

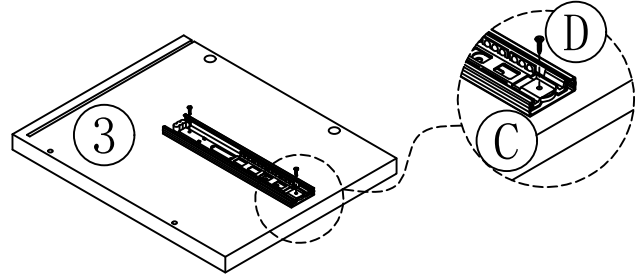
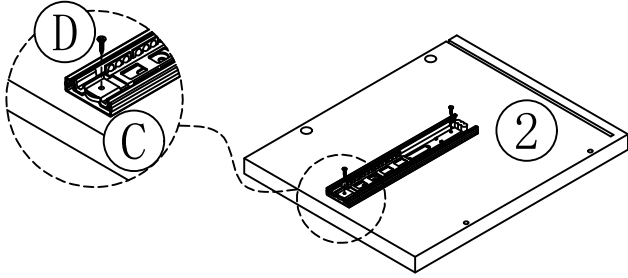
<p>①</p> 	<p>②</p> 	<p>③</p> 	<p>④</p> 	<p>⑤</p> 
1	1	1	3	1
<p>⑥</p> 	<p>⑦</p> 	<p>⑧</p> 	<p>⑨</p> 	<p>⑩</p> 
2	2	1	2	1
<p>⑪</p> 	<p>⑫</p> 	<p>⑬</p> 	<p>⑭</p> 	<p>⑮</p> 
4	4	2	2	2
<p>⑯</p> 				
2				

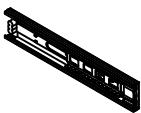

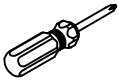
HARDWARE LIST

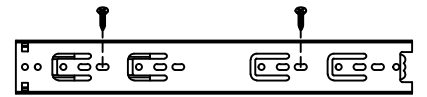
A	B	C	D	E
				
37	37	4	3.5*12=80	3*35=16
F	G	H	I	J
				
8	32	4	Ø18=32	1



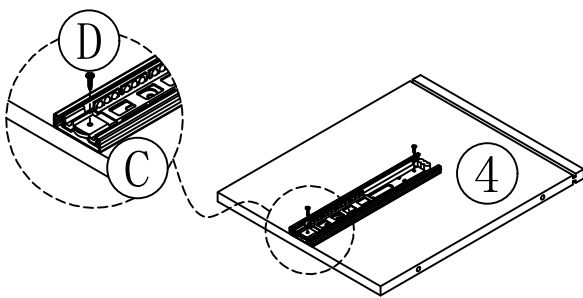
Step 1



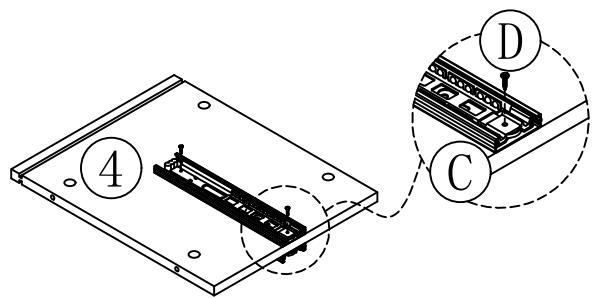
- C  X2
- D  X4
- L  X1



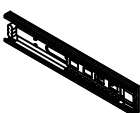

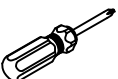
Step 2

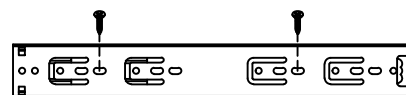


Front






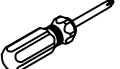
Back

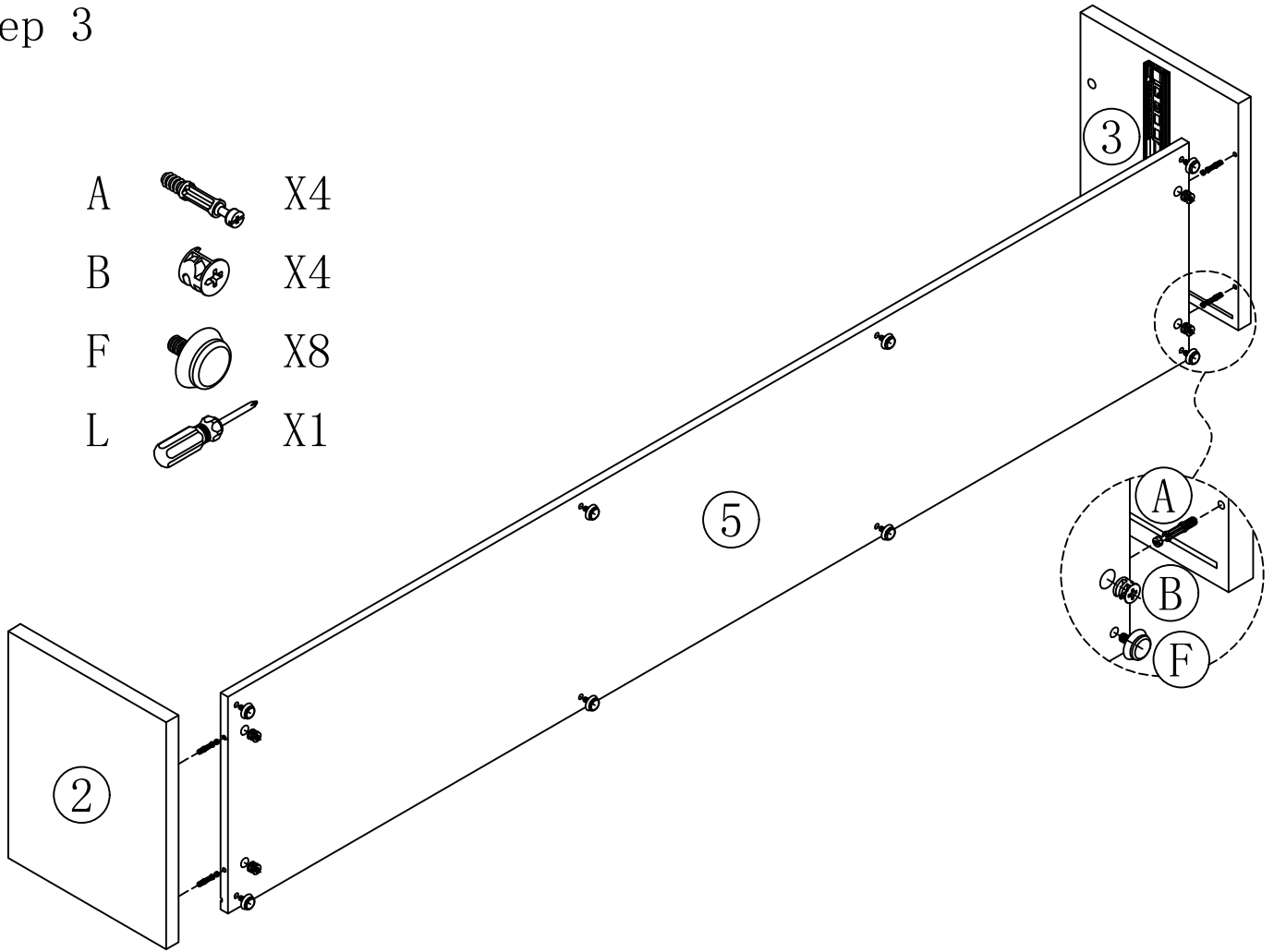
- C  X2
- D  X4
- L  X1






X3

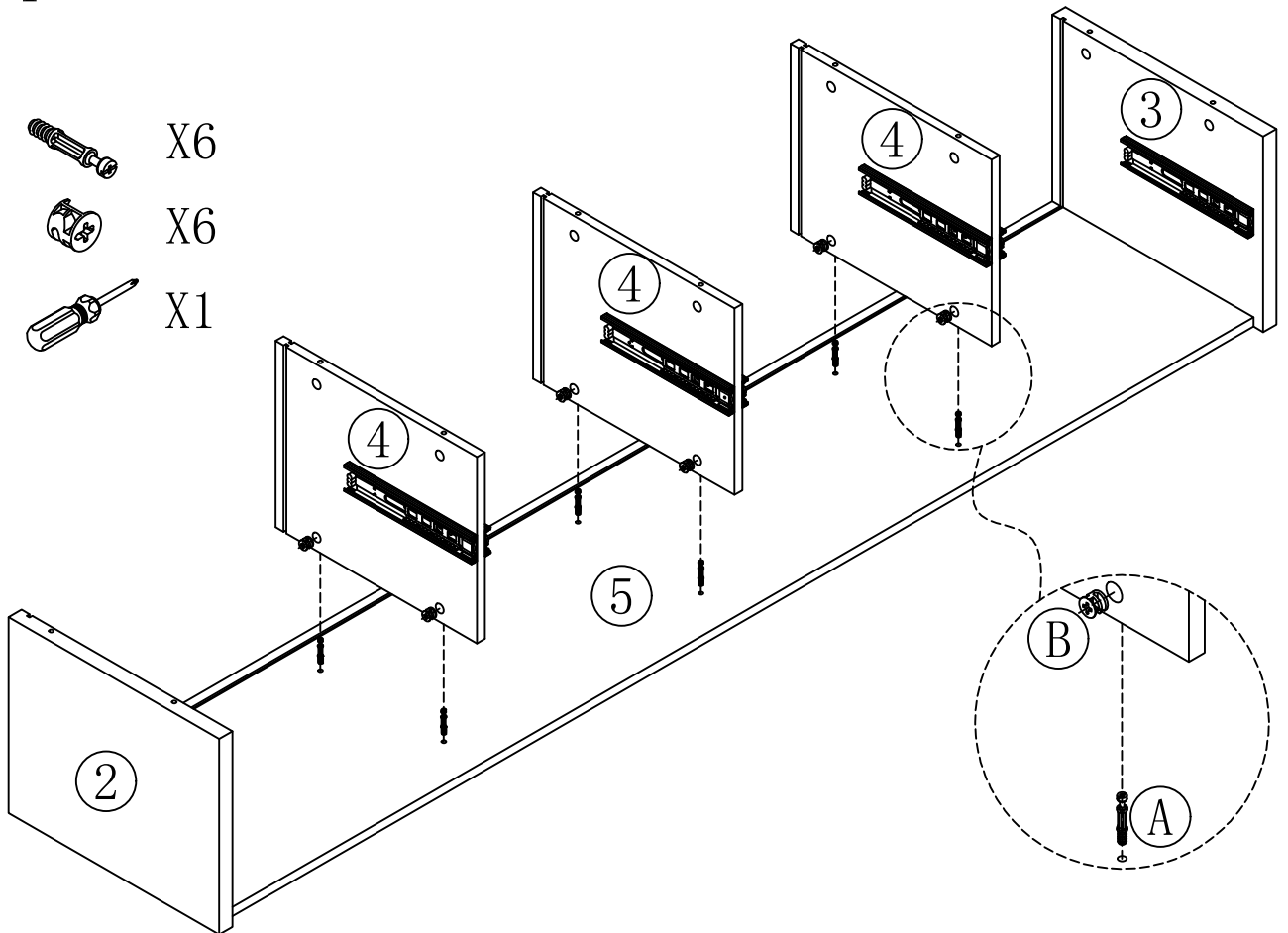
Step 3

- A  X4
- B  X4
- F  X8
- L  X1

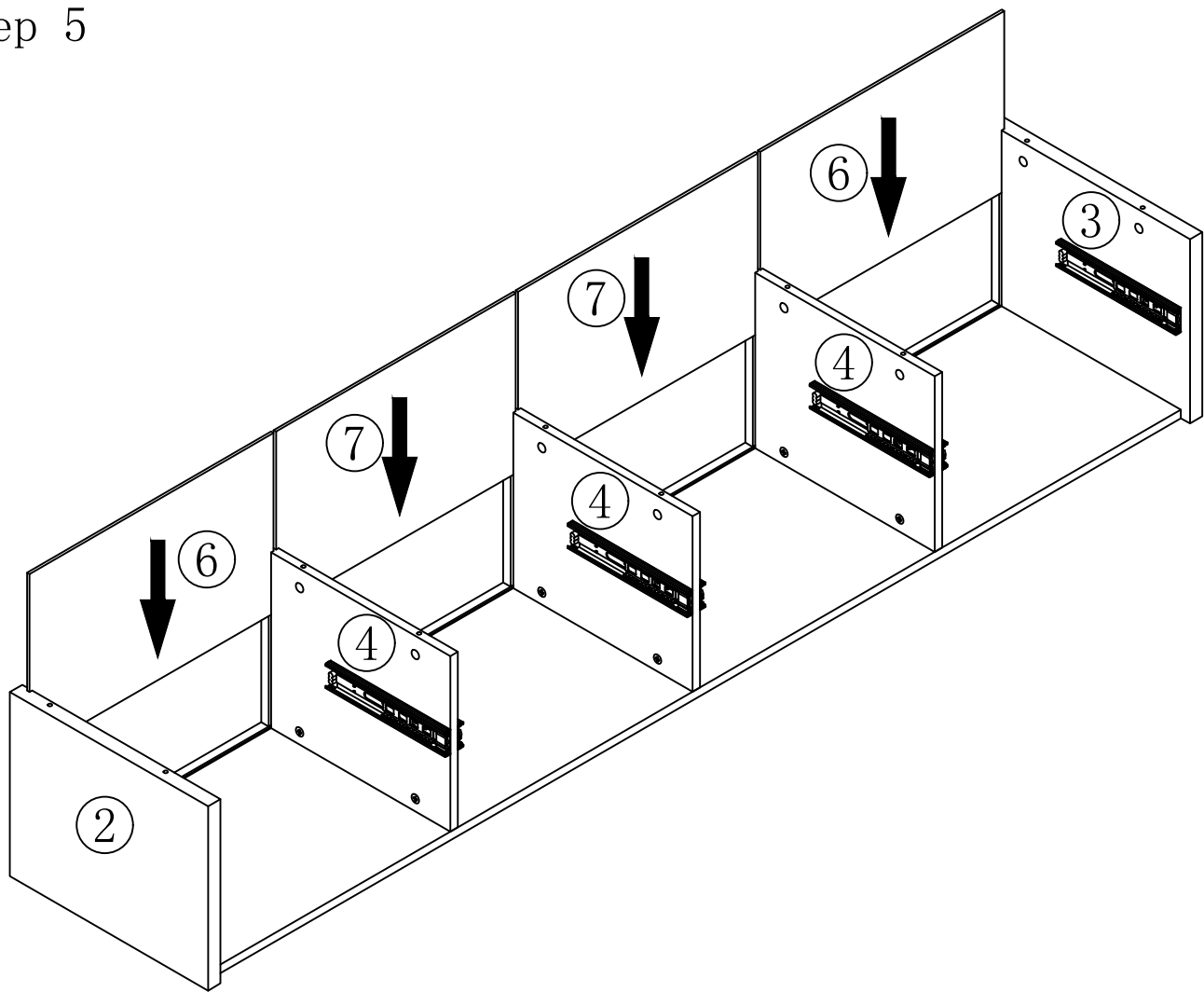


Step 4

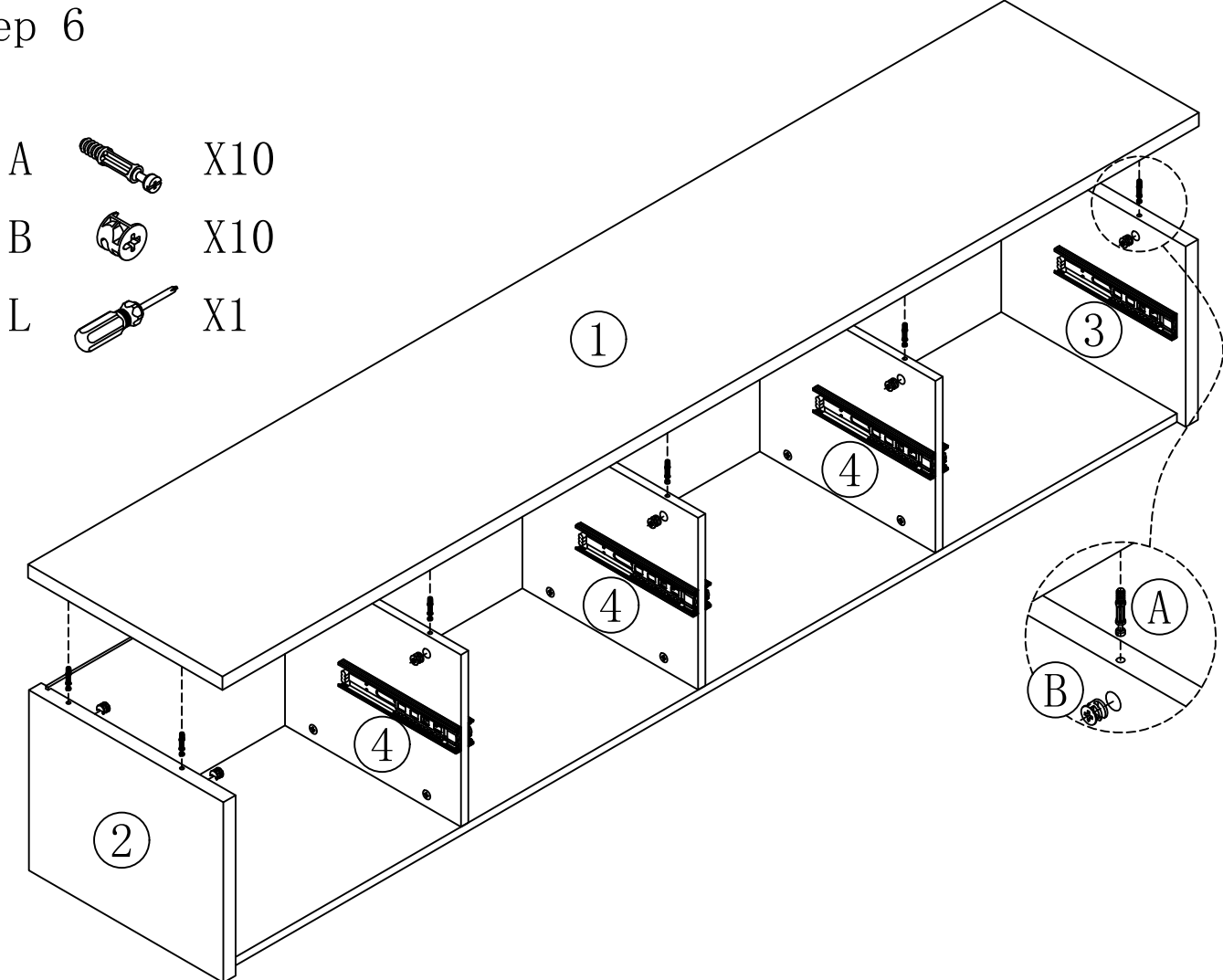
- A  X6
- B  X6
- L  X1





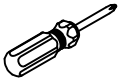
Step 5

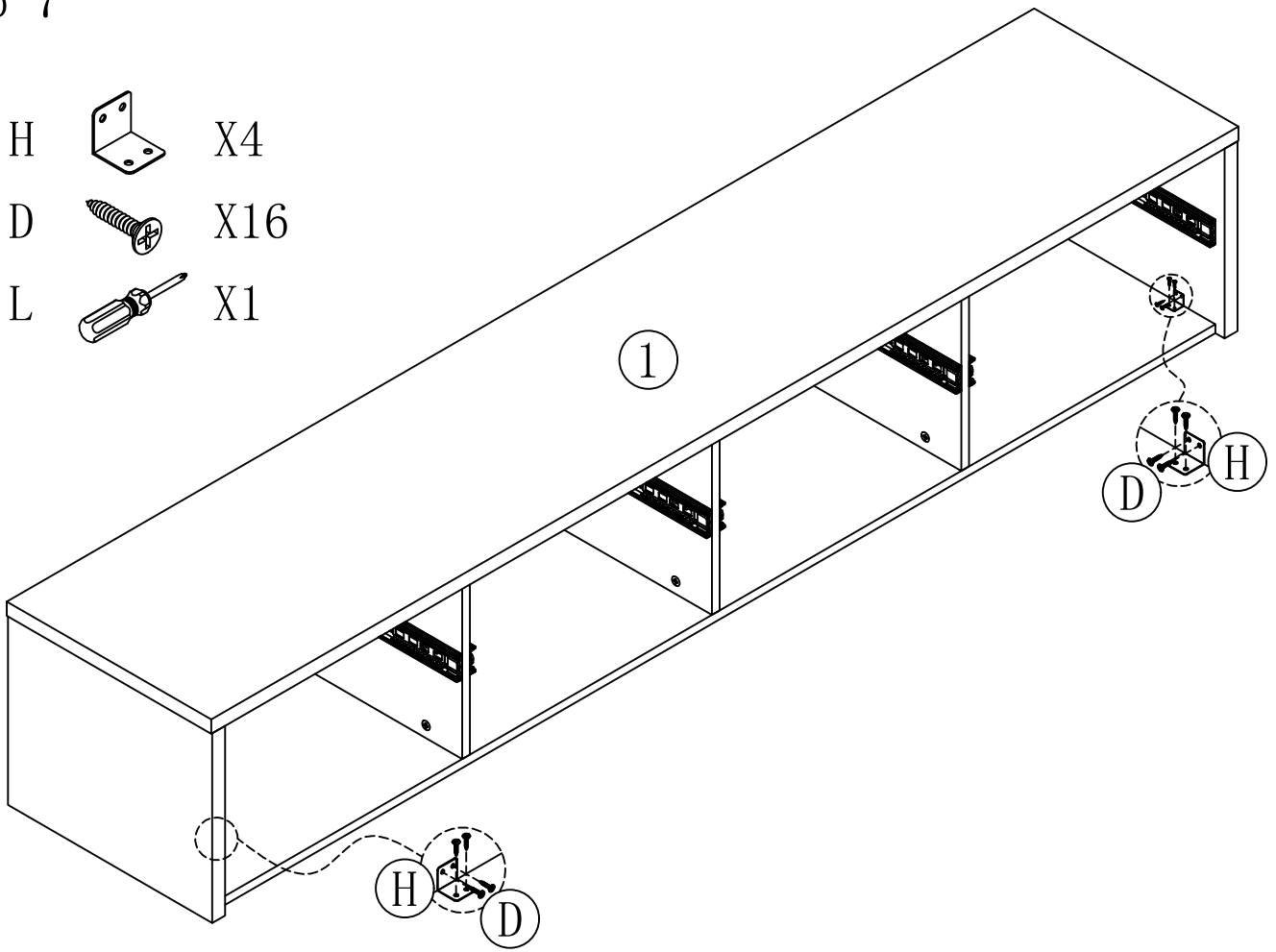


Step 6

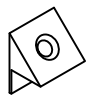

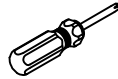


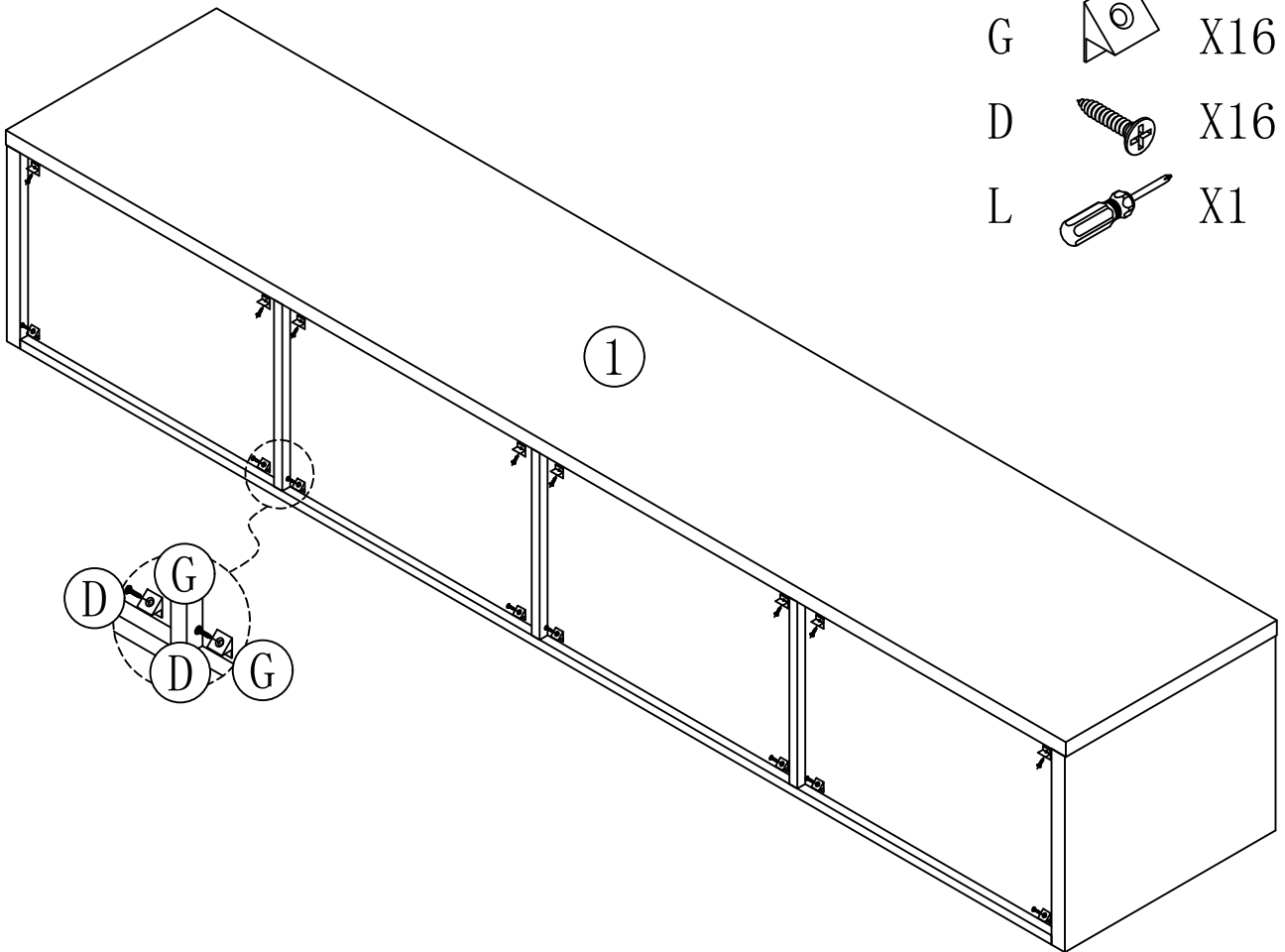
Step 7

- H  X4
- D  X16
- L  X1

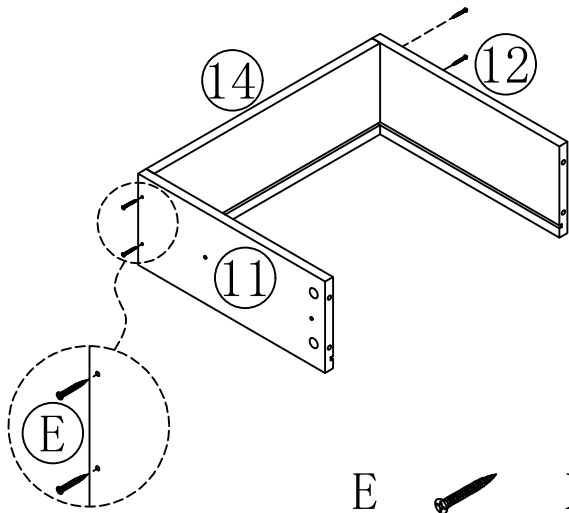



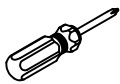
Step 8

- G  X16
- D  X16
- L  X1



Step 9

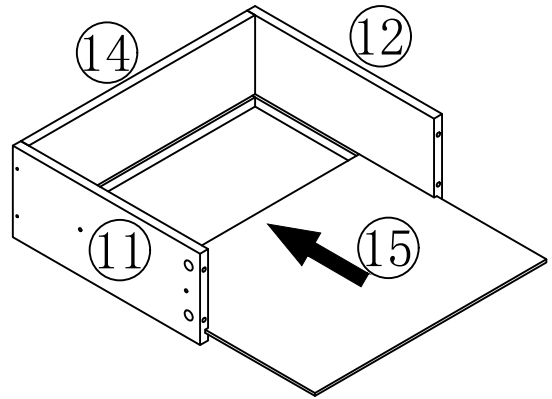


- E  X4
- L  X1

X2

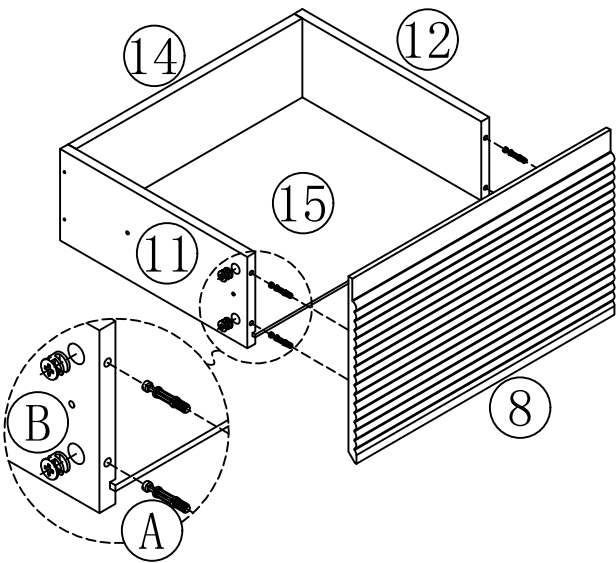
Step 10



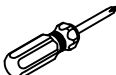
Please note the serial numbers on the drawer front panels, bottom panels, and back panels - they need to be matched accordingly during installation.





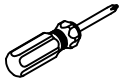
X2

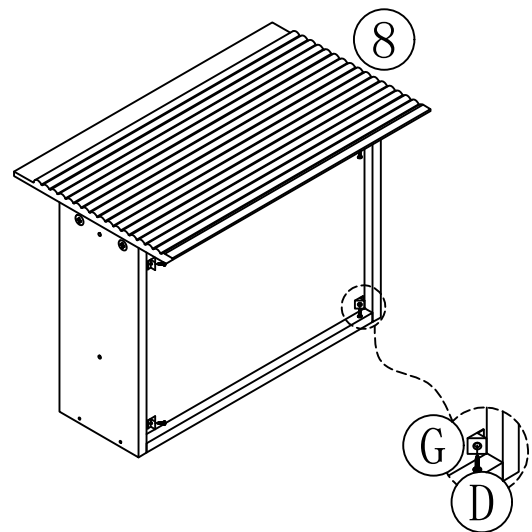
Step 11



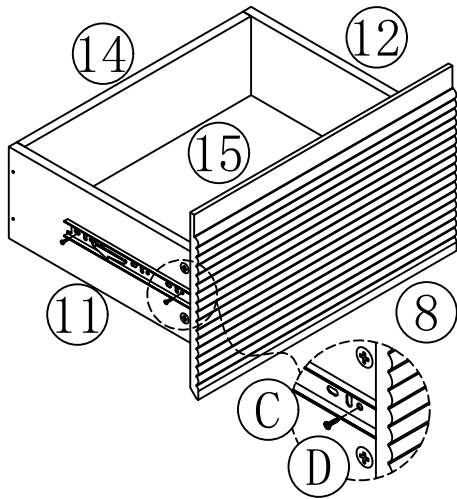
- A  X4
- B  X4
- L  X1



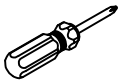
Step 12

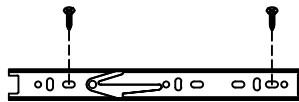
- G  X4
- D  X4
- L  X1



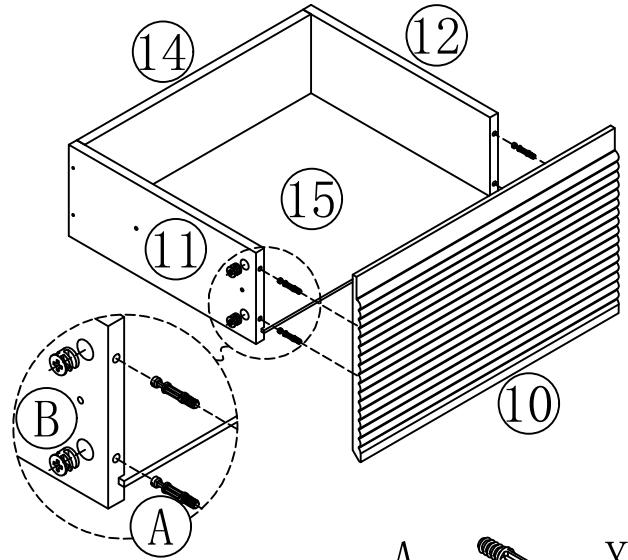
Step 13



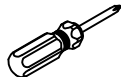


- C  X1
- D  X4
- L  X1



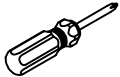


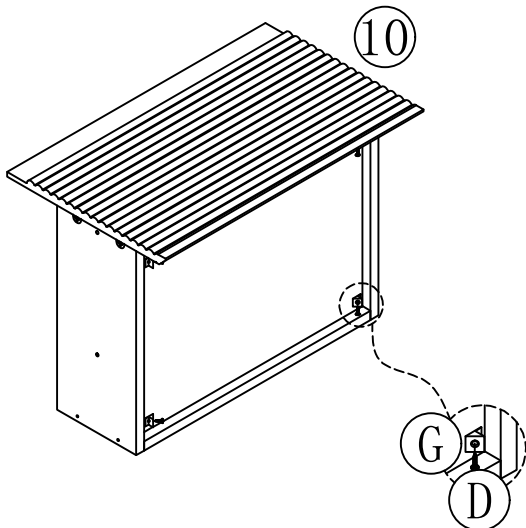
Step 14



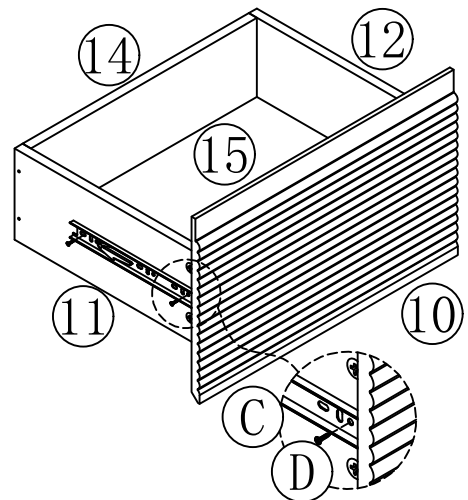
- A  X4
- B  X4
- L  X1



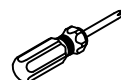
Step 15

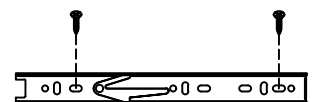
- G  X4
- D  X4
- L  X1



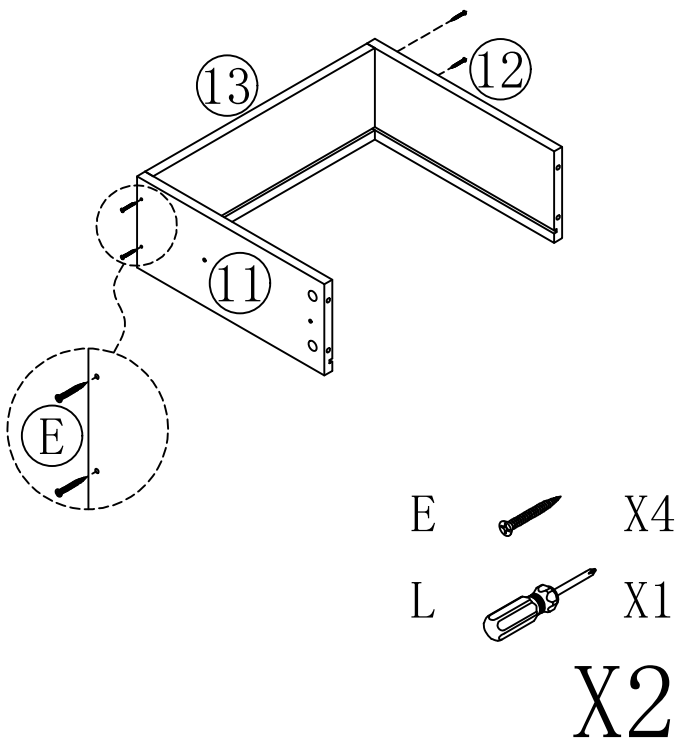
Step 16



- C  X1
- D  X4
- L  X1

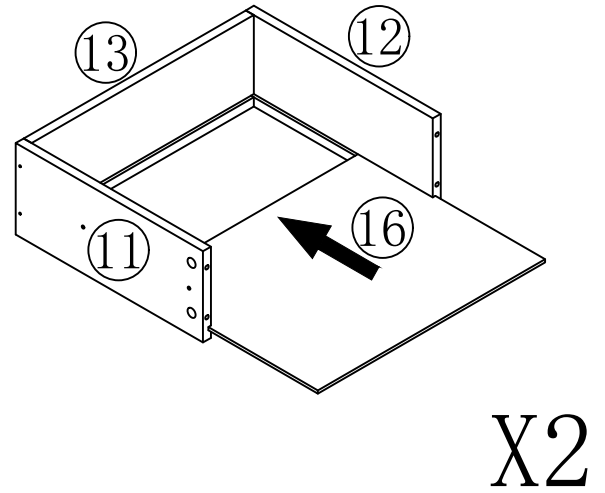


Step 17

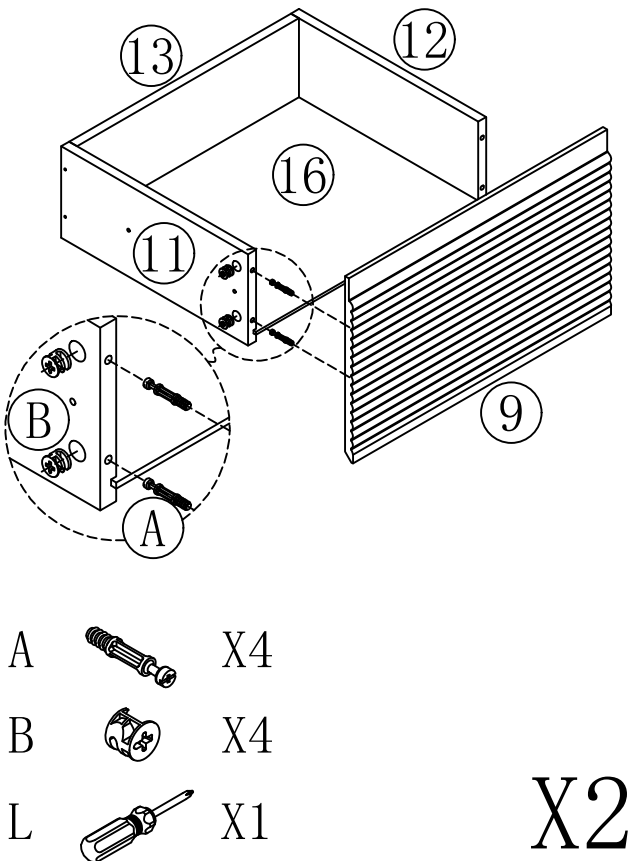


Step 18

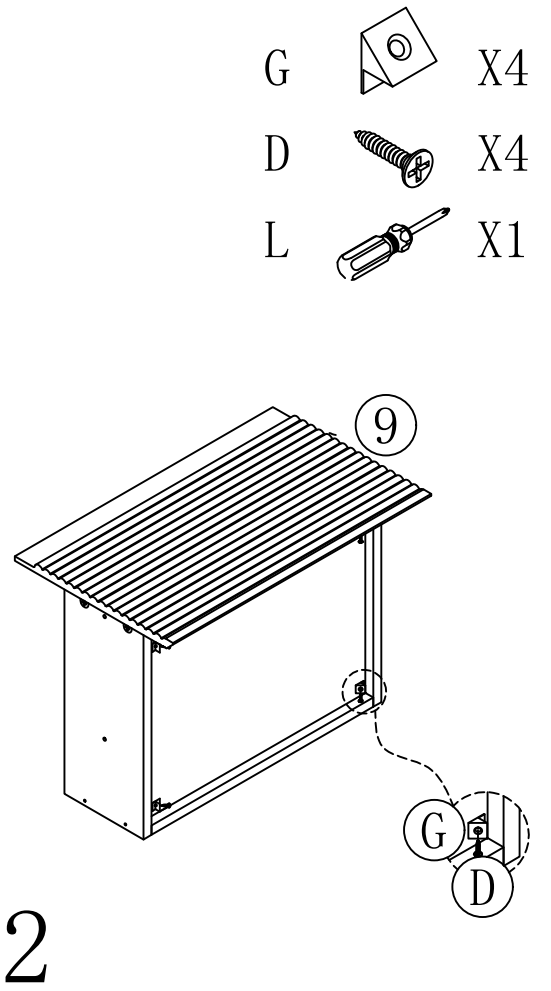
Please note the serial numbers on the drawer front panels, bottom panels, and back panels - they need to be matched accordingly during installation.



Step 19

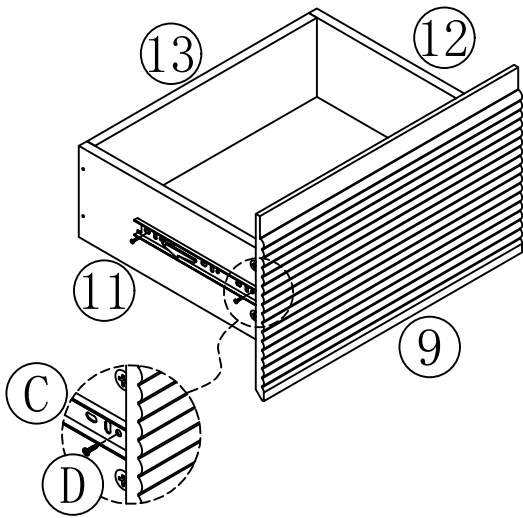




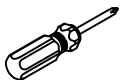
Step 20

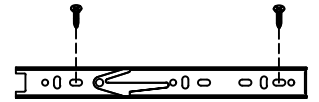


Step 21

X2

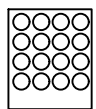


- C  X1
- D  X4
- L  X1



Step 22

Kindly note the drawer numbers - the left and right drawers are not interchangeable and should be installed according to their corresponding numbers.

- I  X32

