

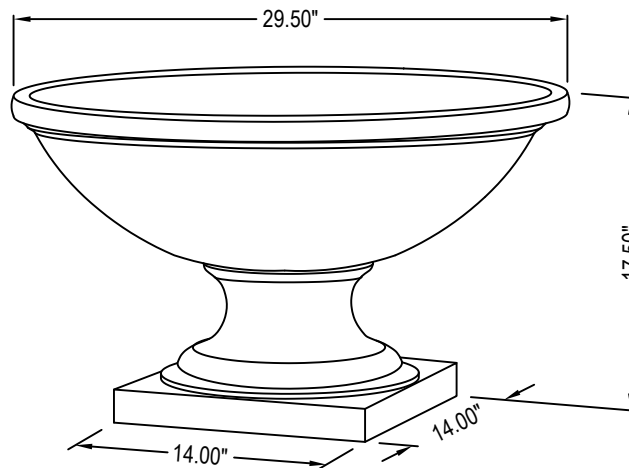


# CAMPANIA INTERNATIONAL

CAMPANIA INTERNATIONAL  
2452 QUAKERTOWN RD, SUITE 100  
PENNSBURG, PA 18073  
PHONE: (215) 541-4330  
FAX: (215) 541-4628  
[www.campaniainternational.com/projects/](http://www.campaniainternational.com/projects/)

SELECT DESIRED COLOR:

- |   |  |
|---|--|
| <input type="checkbox"/> AGED LIMESTONE (AL)      | <input type="checkbox"/> NATURAL (NA)      |
| <input type="checkbox"/> ALPINE STONE (AS)        | <input type="checkbox"/> NERO NUOVO (NN)   |
| <input type="checkbox"/> BROWNSTONE (BR)          | <input type="checkbox"/> PIETRA NUOVA (PN) |
| <input type="checkbox"/> COPPER BRONZE (CB)       | <input type="checkbox"/> TRAVERTINE (TR)   |
| <input type="checkbox"/> ENGLISH MOSS (EM)        | <input type="checkbox"/> VERDE (VE)        |
| <input type="checkbox"/> FERRO RUSTICO NUOVO (FN) | <input type="checkbox"/> GREYSTONE (GS)    |



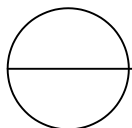
LOW SAVANNAH URN (P-734)  
WEIGHT: 151 LBS  
DIMENSIONS: 29.50" W X 17.50" H

MANUFACTURER NOTES:

- PLEASE REFER TO LISTING 4841-101 FOR PATINA OPTIONS.

NOTES:

- INSTALLATION TO BE COMPLETED IN ACCORDANCE WITH MANUFACTURER'S SPECIFICATIONS.
- DO NOT SCALE DRAWING.
- THIS DRAWING IS INTENDED FOR USE BY ARCHITECTS, ENGINEERS, CONTRACTORS, CONSULTANTS AND DESIGN PROFESSIONALS FOR PLANNING PURPOSES ONLY. THIS DRAWING MAY NOT BE USED FOR CONSTRUCTION.
- ALL INFORMATION CONTAINED HEREIN WAS CURRENT AT THE TIME OF DEVELOPMENT BUT MUST BE REVIEWED AND APPROVED BY THE PRODUCT MANUFACTURER TO BE CONSIDERED ACCURATE.
- CONTRACTOR'S NOTE: FOR PRODUCT AND COMPANY INFORMATION VISIT [www.CADdetails.com/info](http://www.CADdetails.com/info) AND ENTER REFERENCE NUMBER 4841-331



## CAST STONE COLLECTION

LOW SAVANNAH URN