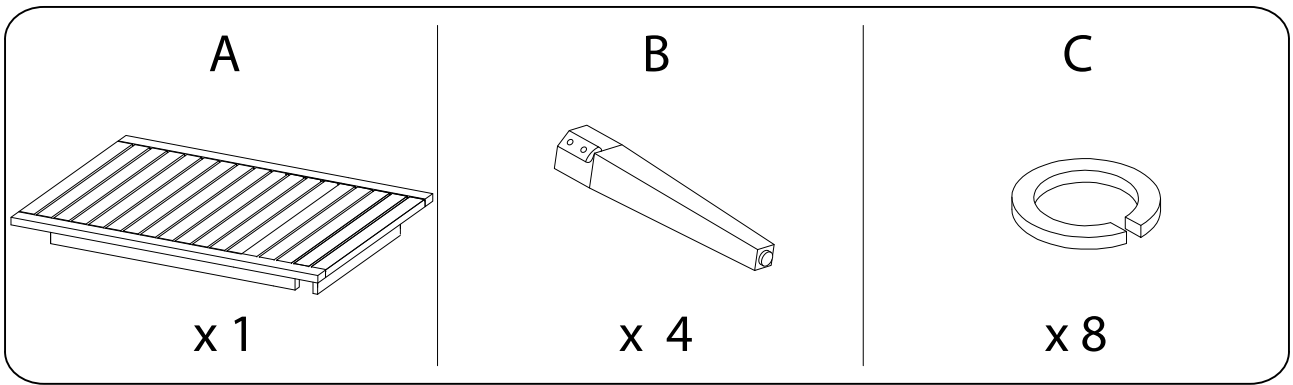
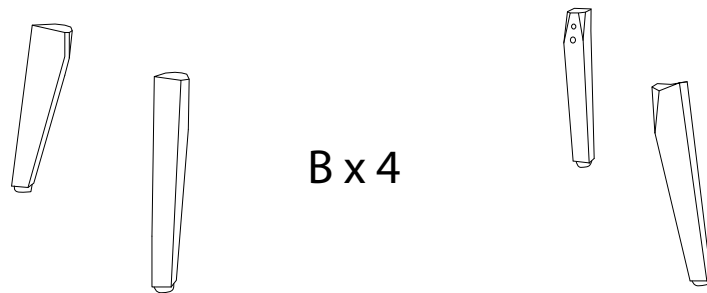
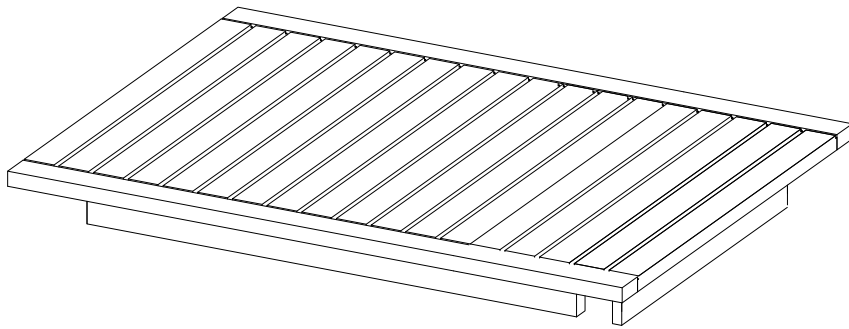


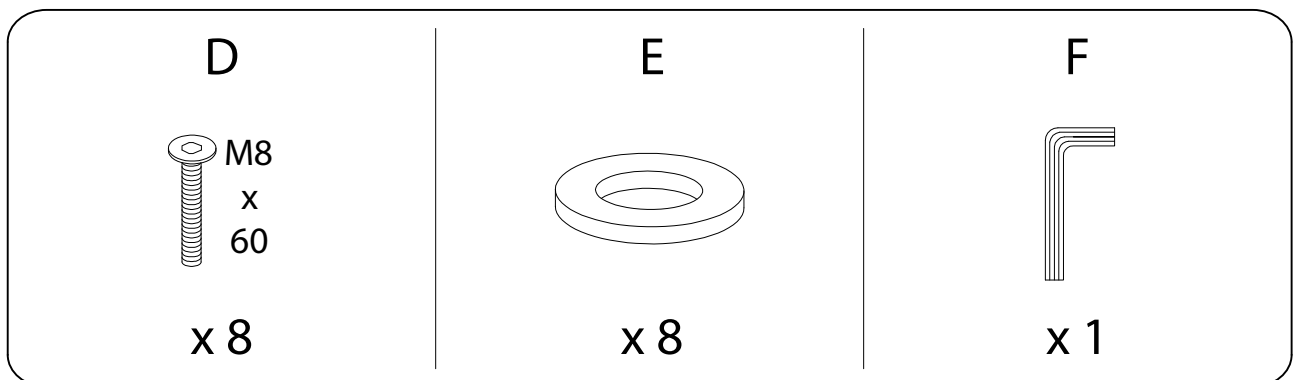
A



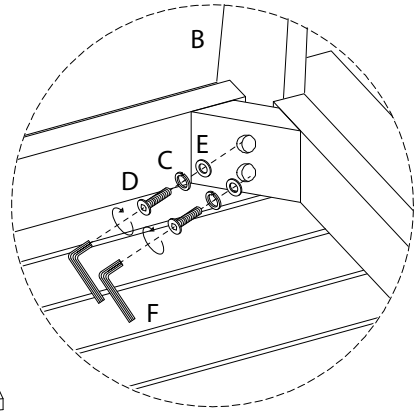
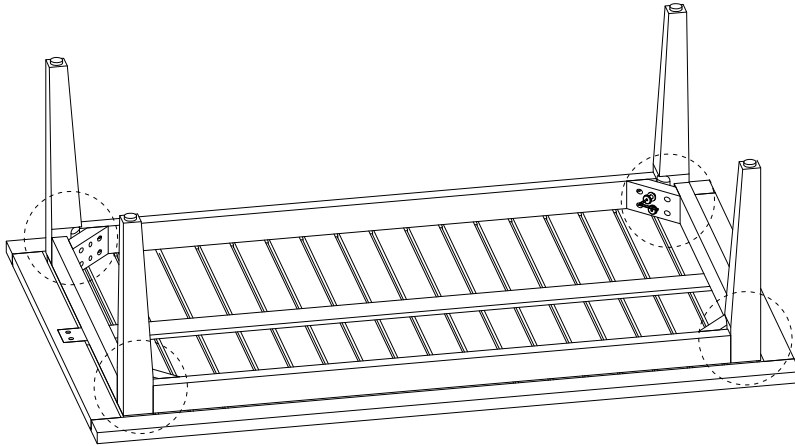
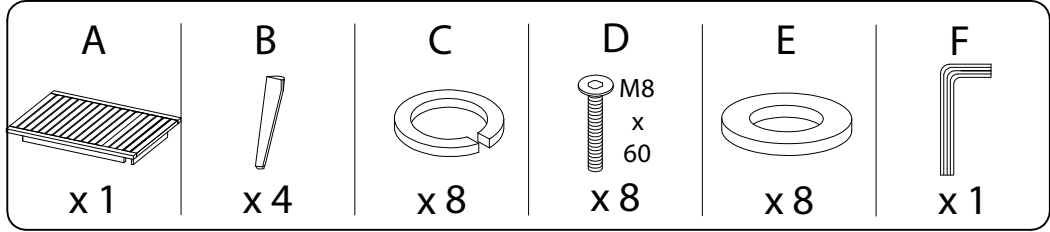
A



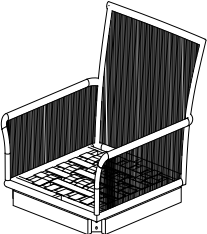



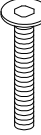
D



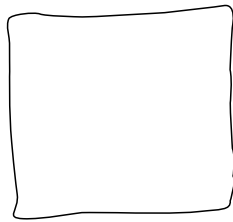
1



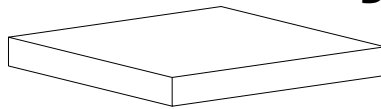
B

<p>A</p>  <p>x 2</p>	<p>B</p>  <p>x 2</p>	<p>C</p>  <p>x 4</p>	<p>D</p>  <p>x 4</p>	<p>E</p>  <p>M8 x 60</p> <p>x 16</p>
---	---	---	---	---

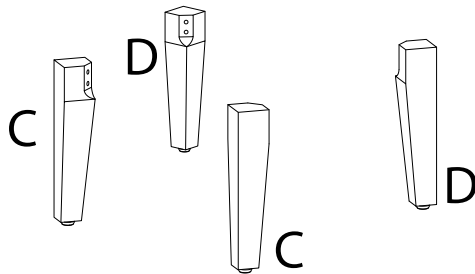
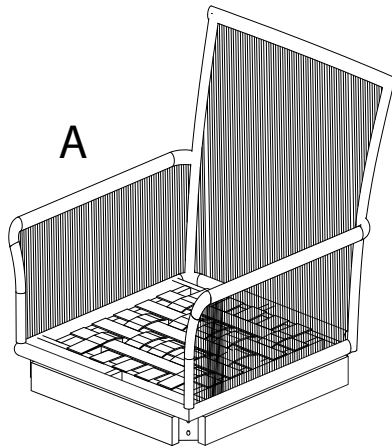
K

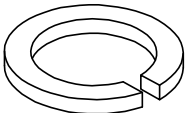
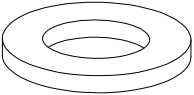
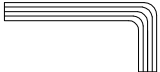
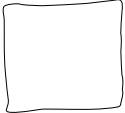


B

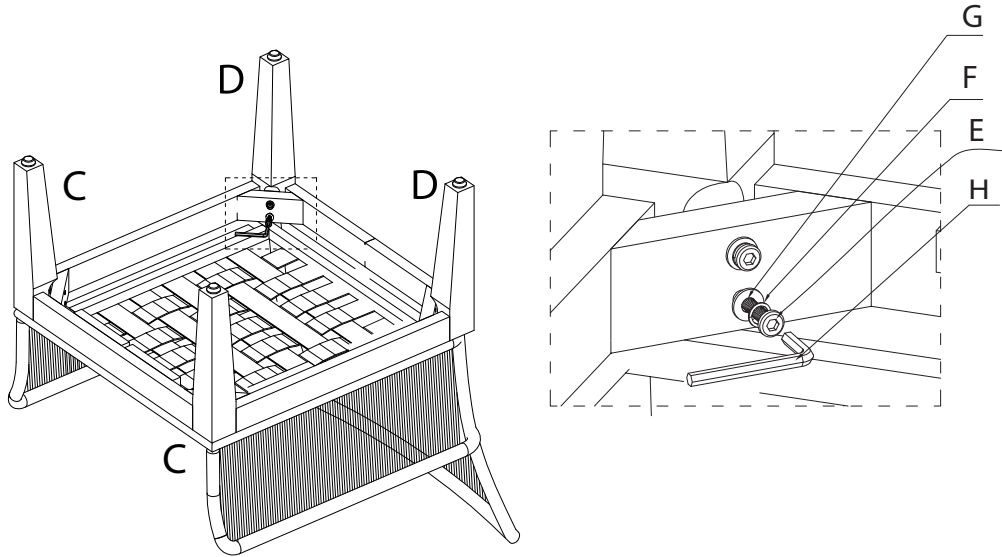
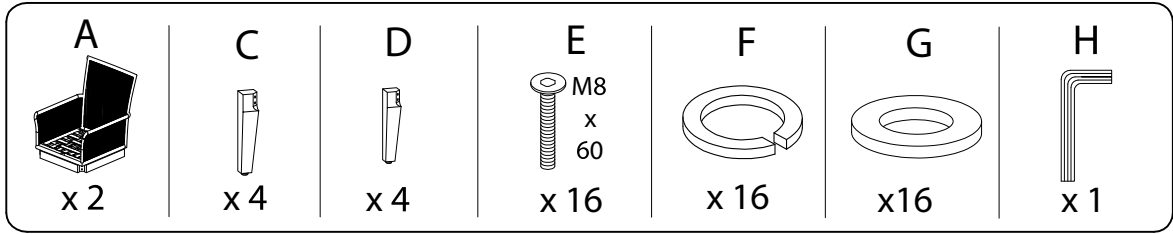


A

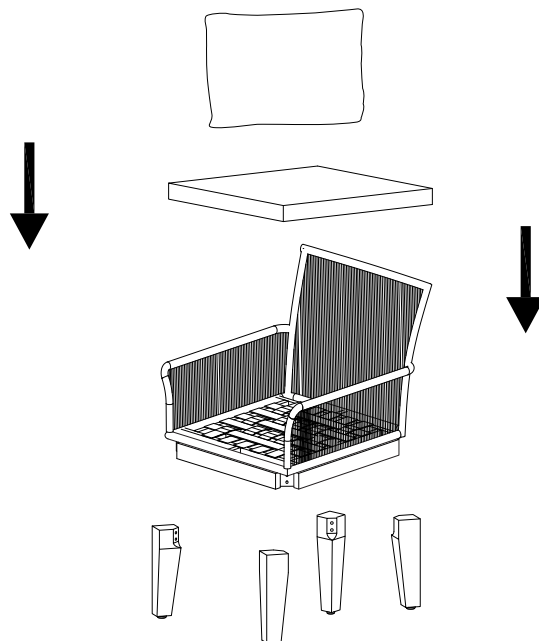
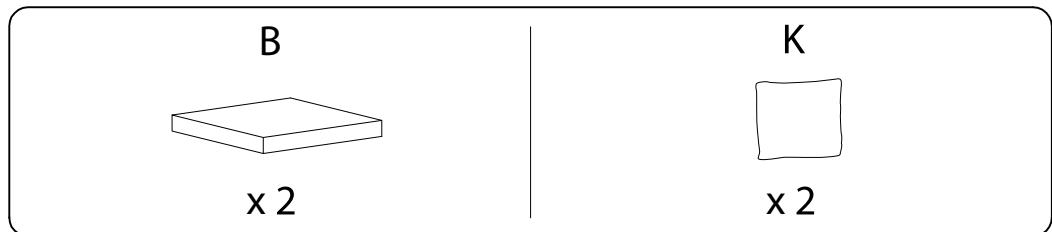


<p>F</p>  <p>x 16</p>	<p>G</p>  <p>x 16</p>	<p>H</p>  <p>x 1</p>	<p>K</p>  <p>x 2</p>
--	--	--	---

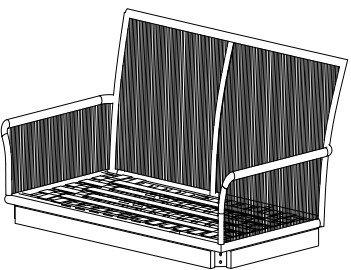



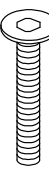
1



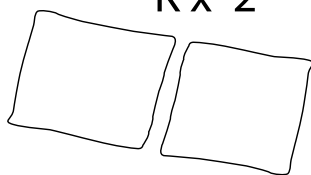
2



C

<p>A</p>  <p>x 1</p>	<p>B</p>  <p>x 1</p>	<p>C</p>  <p>x 2</p>	<p>D</p>  <p>x 2</p>	<p>E</p>  <p>M8 x 60</p> <p>x 8</p>
--	---	---	---	--

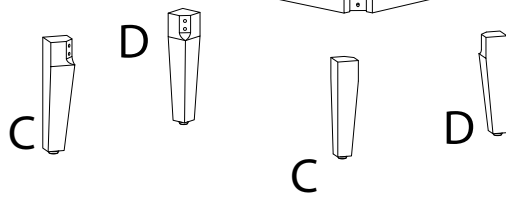
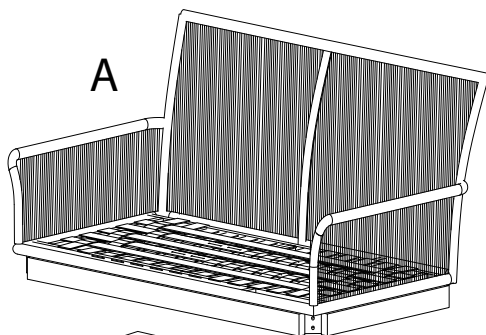
K x 2



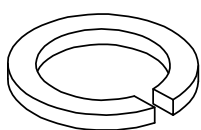
B



A



F



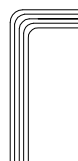
x 8

G



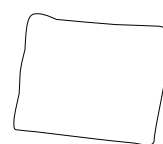
x 8

H



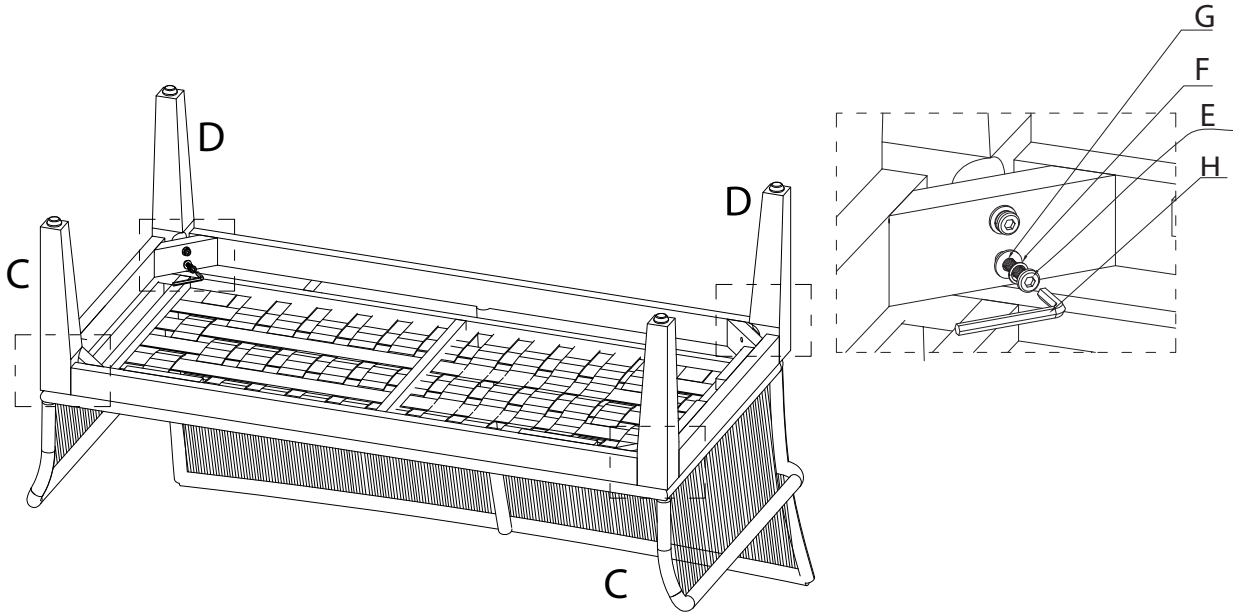
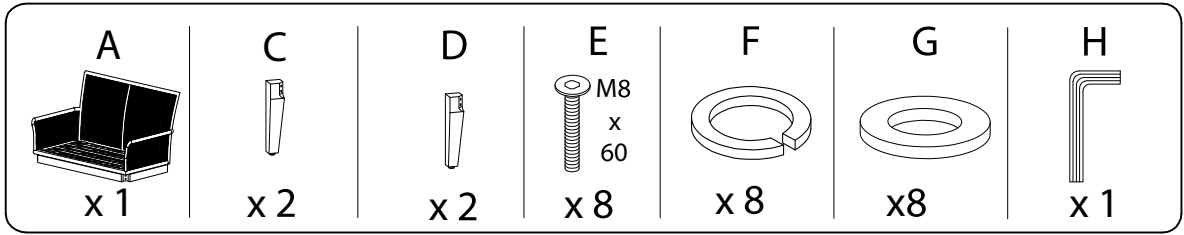
x 1

K



x 2

1



2

