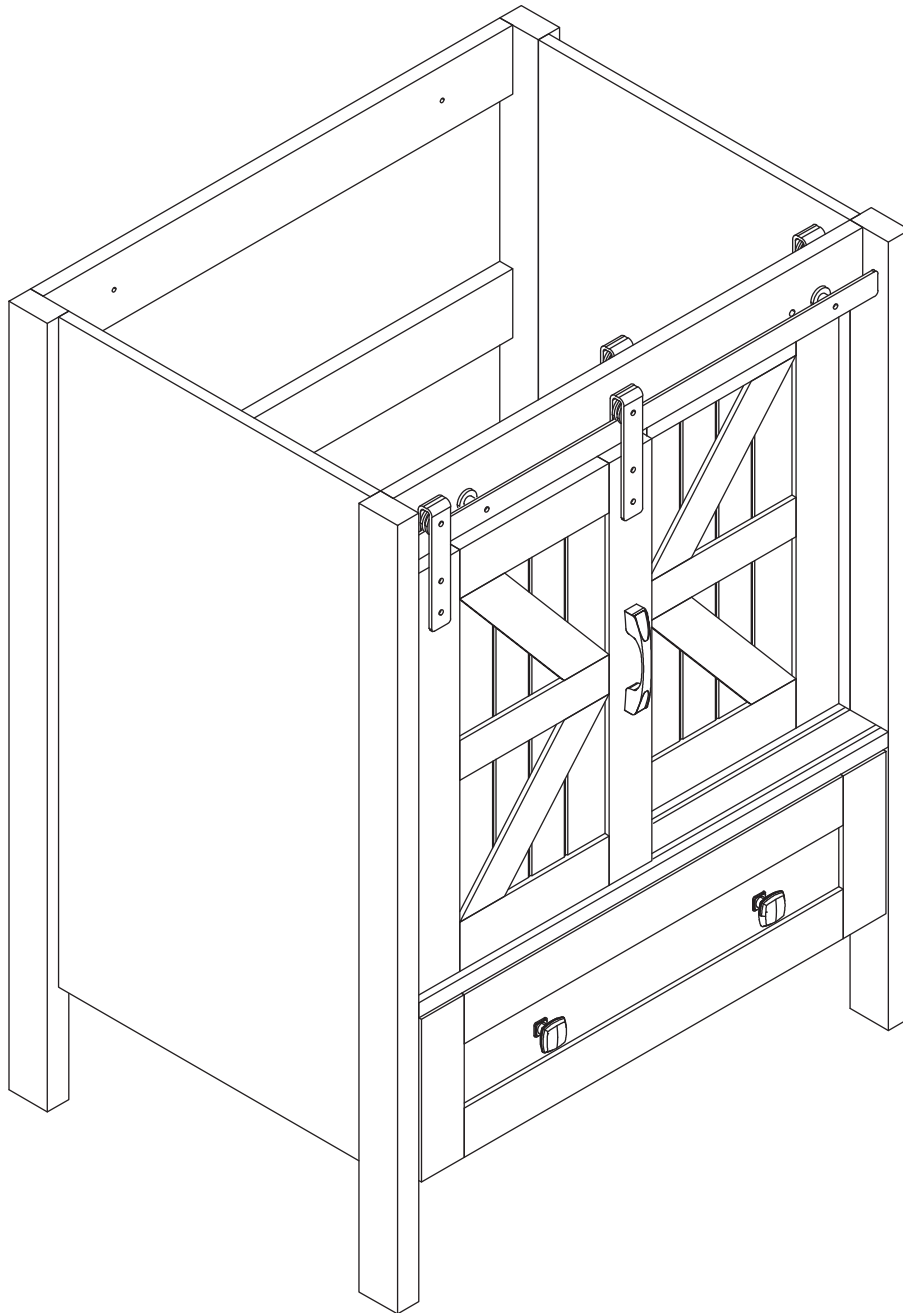
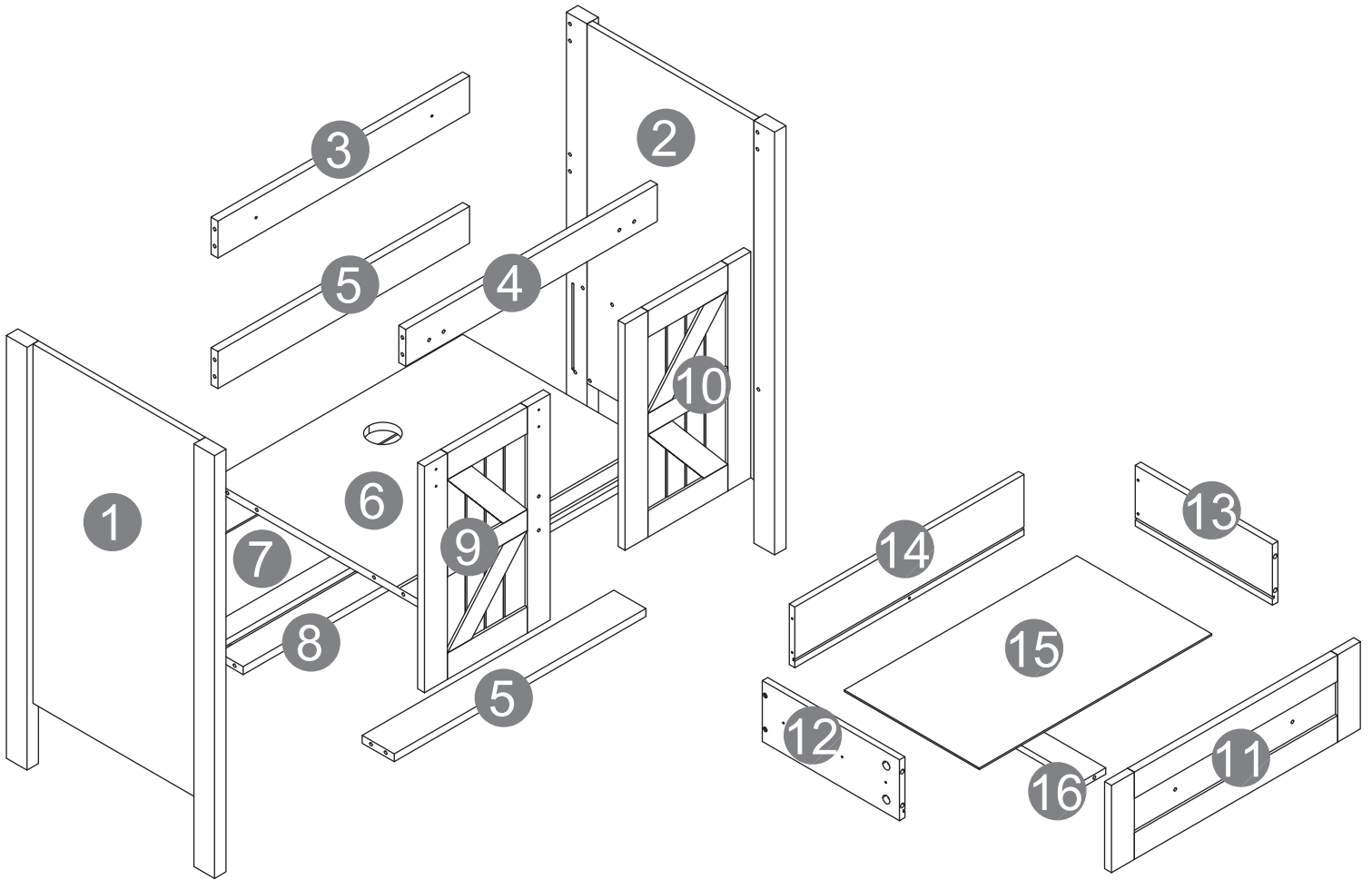


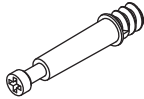

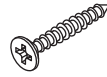
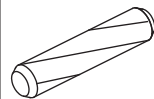




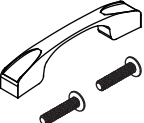

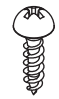

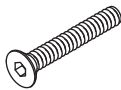

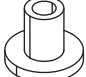
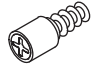
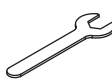
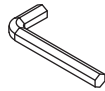
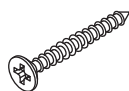
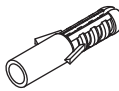
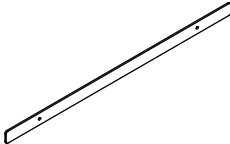
# Assembly Instructions



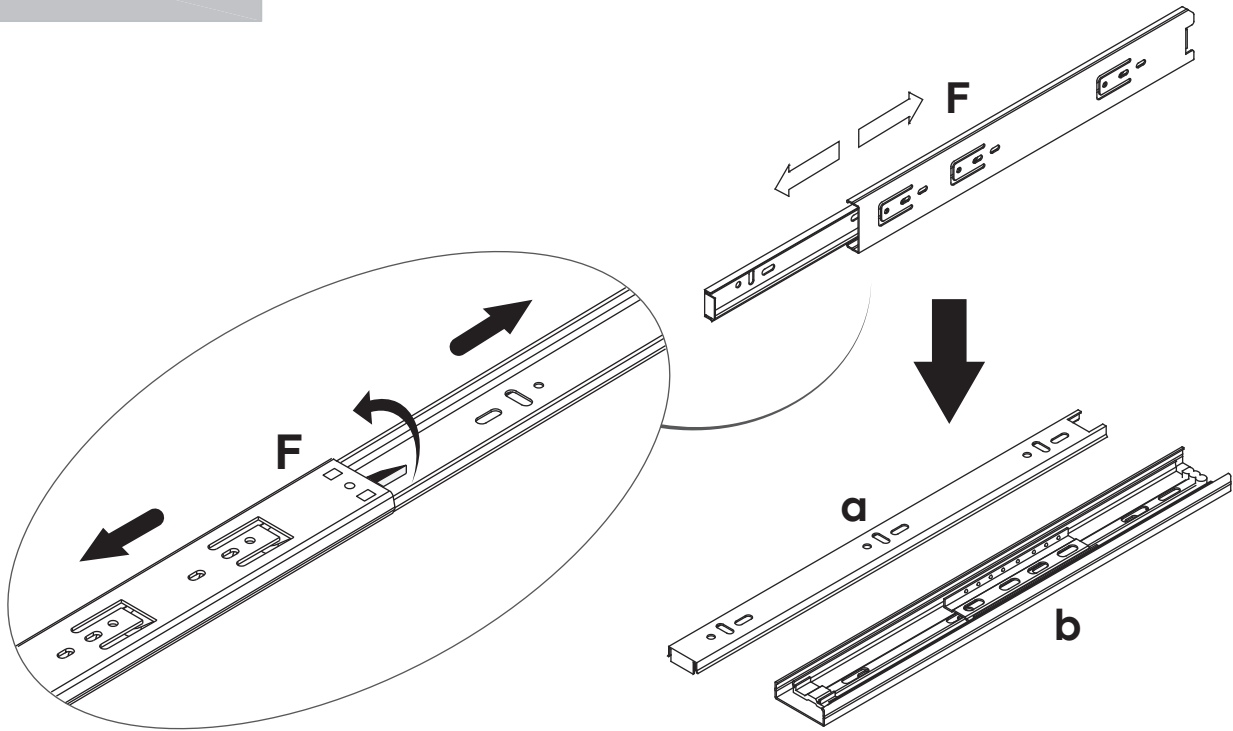
# HARDWARE LIST

① x1   ② x1   ③ x1   ④ x1   ⑤ x2   ⑥ x1   ⑦ x1   ⑧ x1   ⑨ x1  
 ⑩ x1   ⑪ x1   ⑫ x1   ⑬ x1   ⑭ x1   ⑮ x1   ⑯ x1

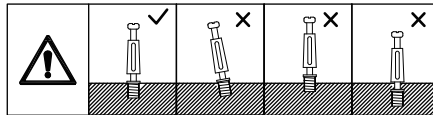


							
<b>A = 29</b>	<b>B = 29</b>	<b>C = 5</b>	<b>D = 4</b>	<b>E = 12</b>	<b>F = 2</b>	<b>G = 6</b>	<b>H = 2</b>
							
<b>I = 1</b>	<b>J = 1</b>	<b>K = 8</b>	<b>L = 4</b>	<b>M = 4</b>	<b>N = 4</b>	<b>O = 4</b>	<b>P = 4</b>
							
<b>Q = 1</b>	<b>R = 1</b>	<b>S = 2</b>	<b>T = 2</b>	<b>U = 2</b>			

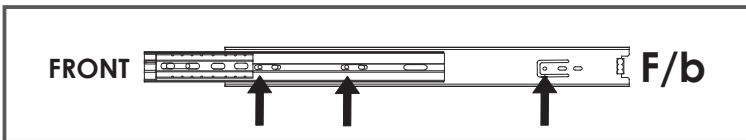
# STEP 1



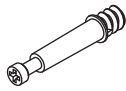
# STEP 2



Note: Please make sure the screws are not too loose or too tight, or skewed.



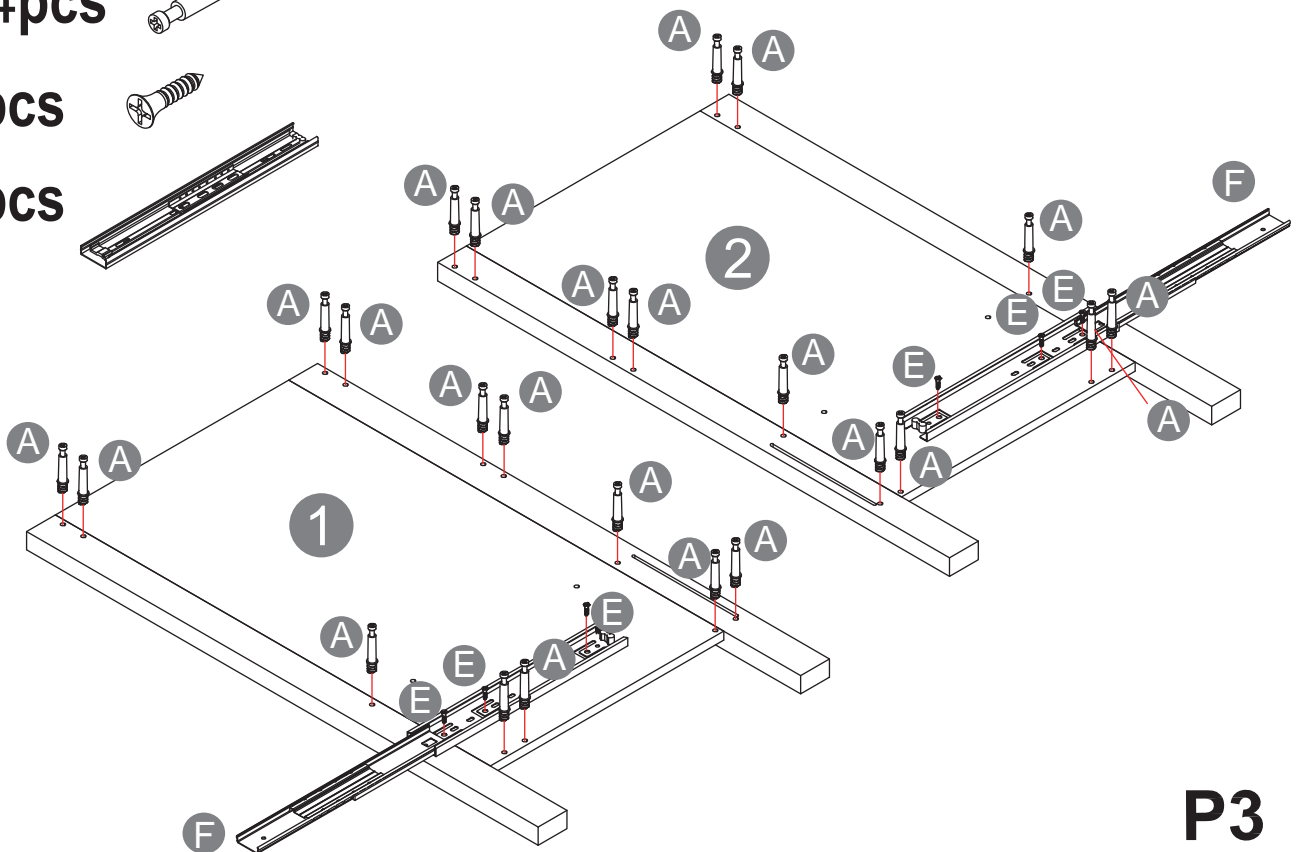
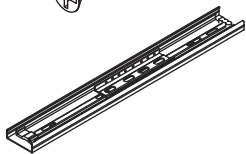
**A** x24pcs



**E** x6pcs



**F/b** x2pcs

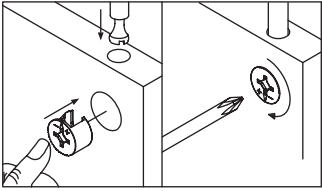
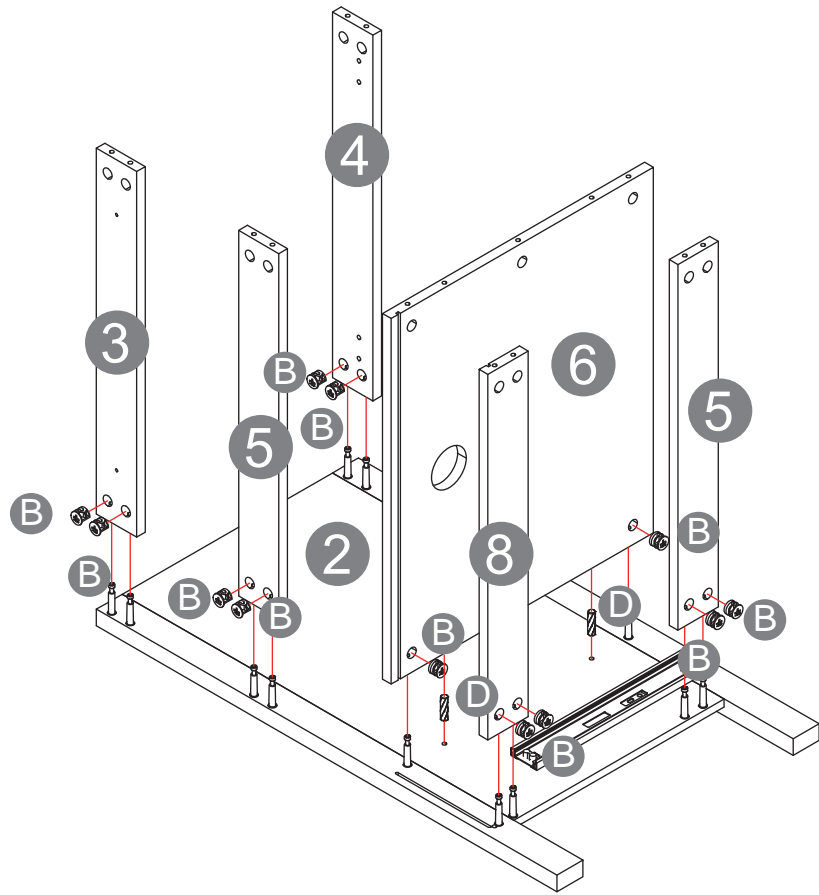
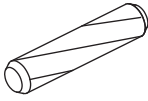


# STEP 3

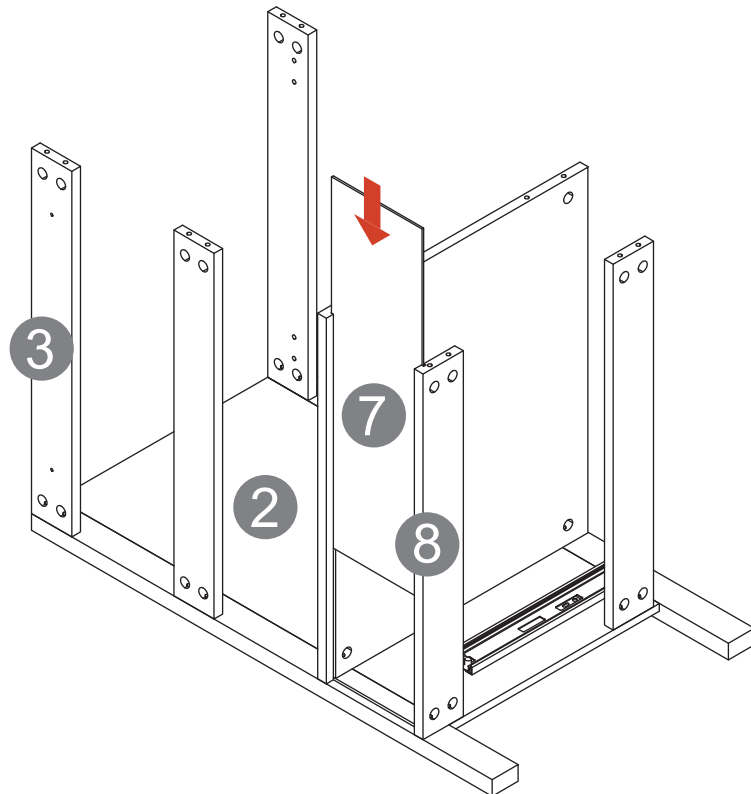
**B** x12pcs



**D** x2pcs



# STEP 4

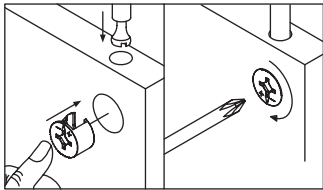
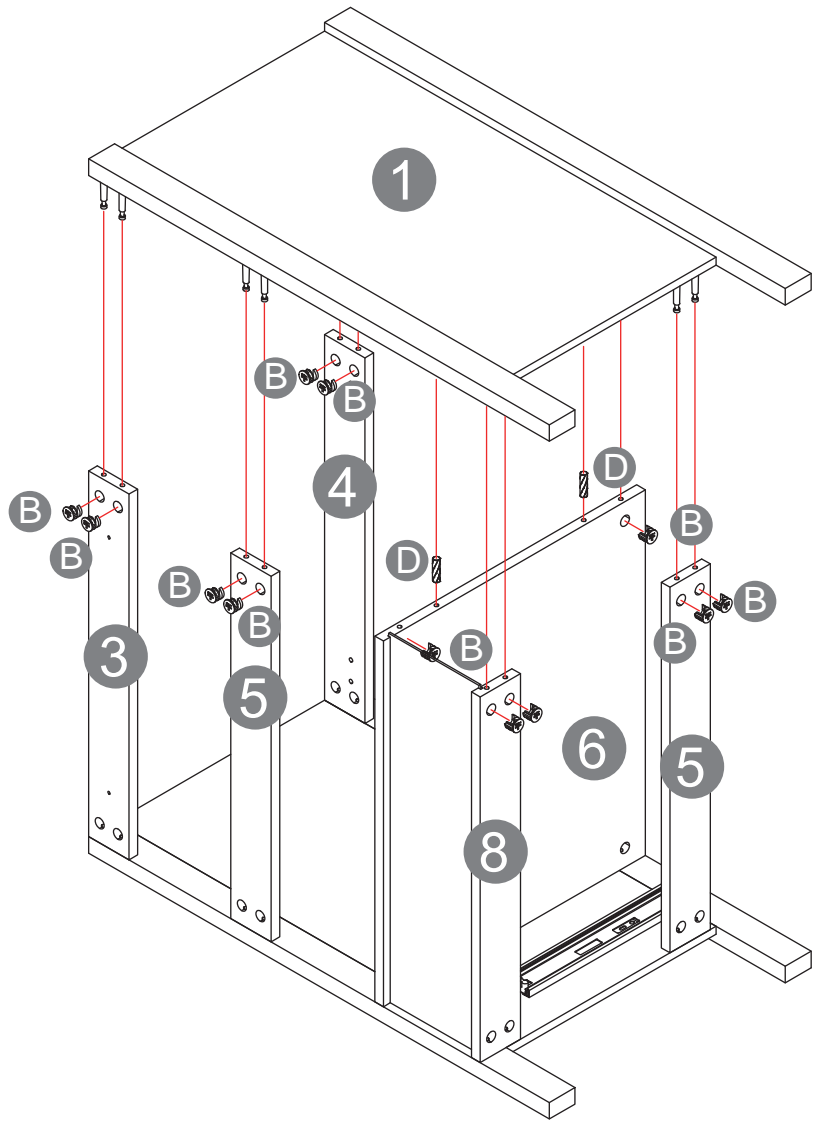
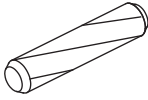


# STEP 5

**B** x12pcs

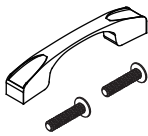


**D** x2pcs



# STEP 6

**I** x1pc



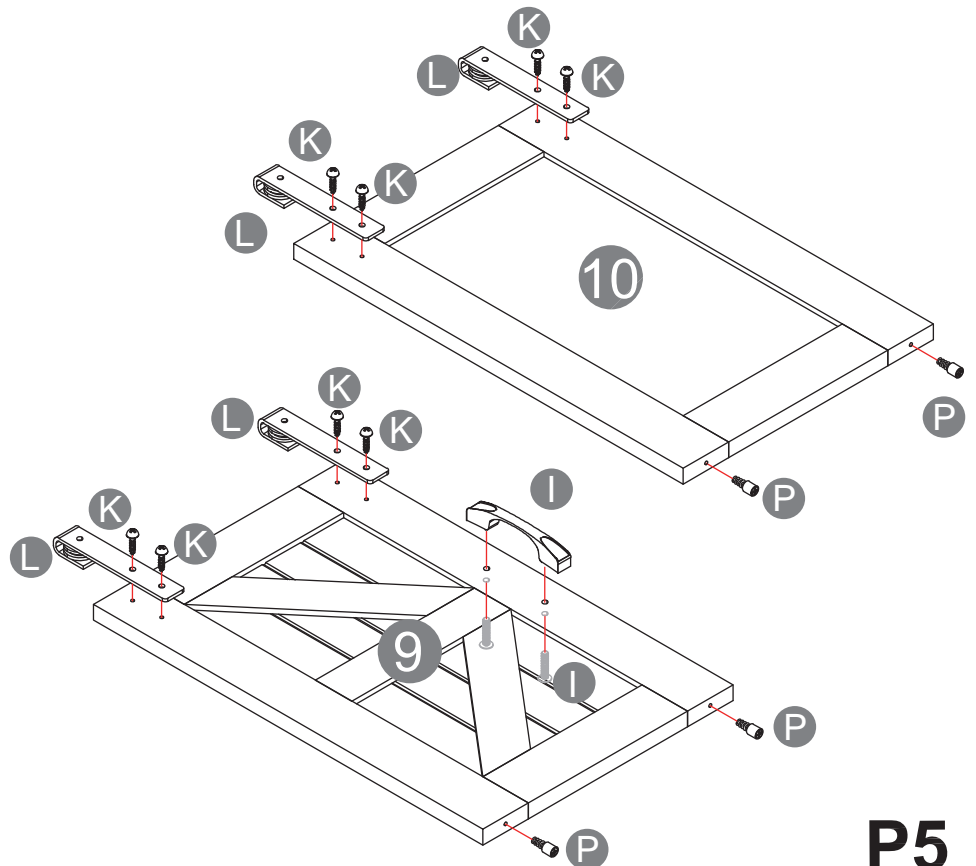
**K** x8pcs



**L** x4pcs



**P** x4pcs

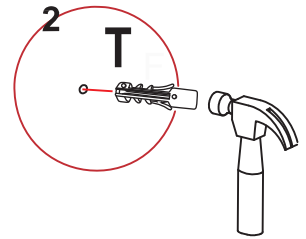
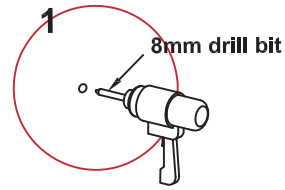
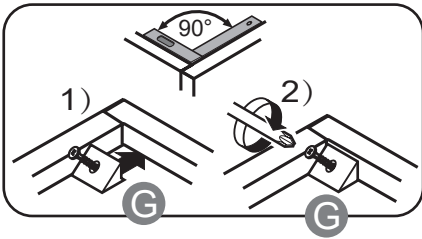
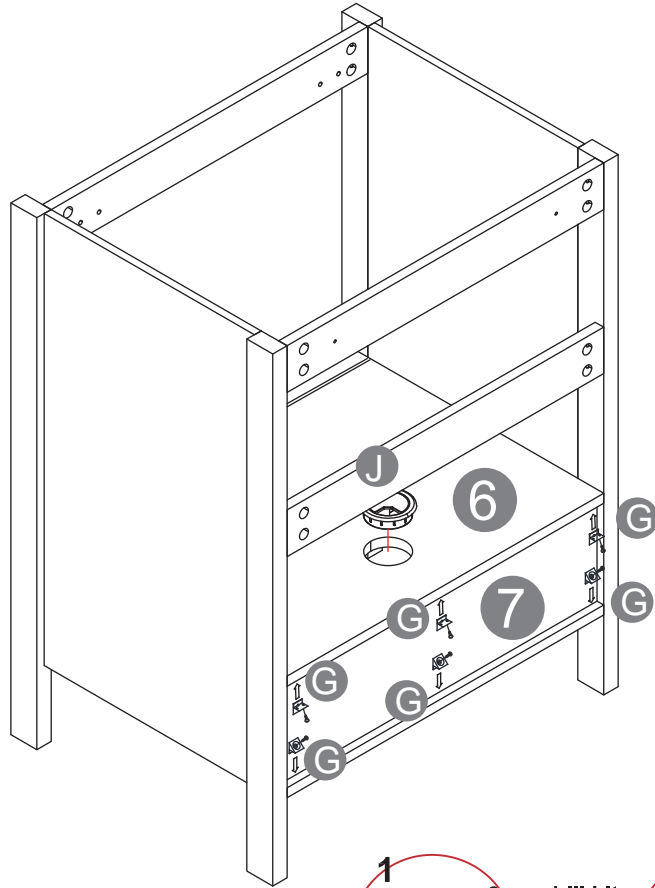


# STEP 7

**J** x1pc

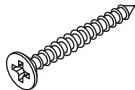


**G** x6pcs

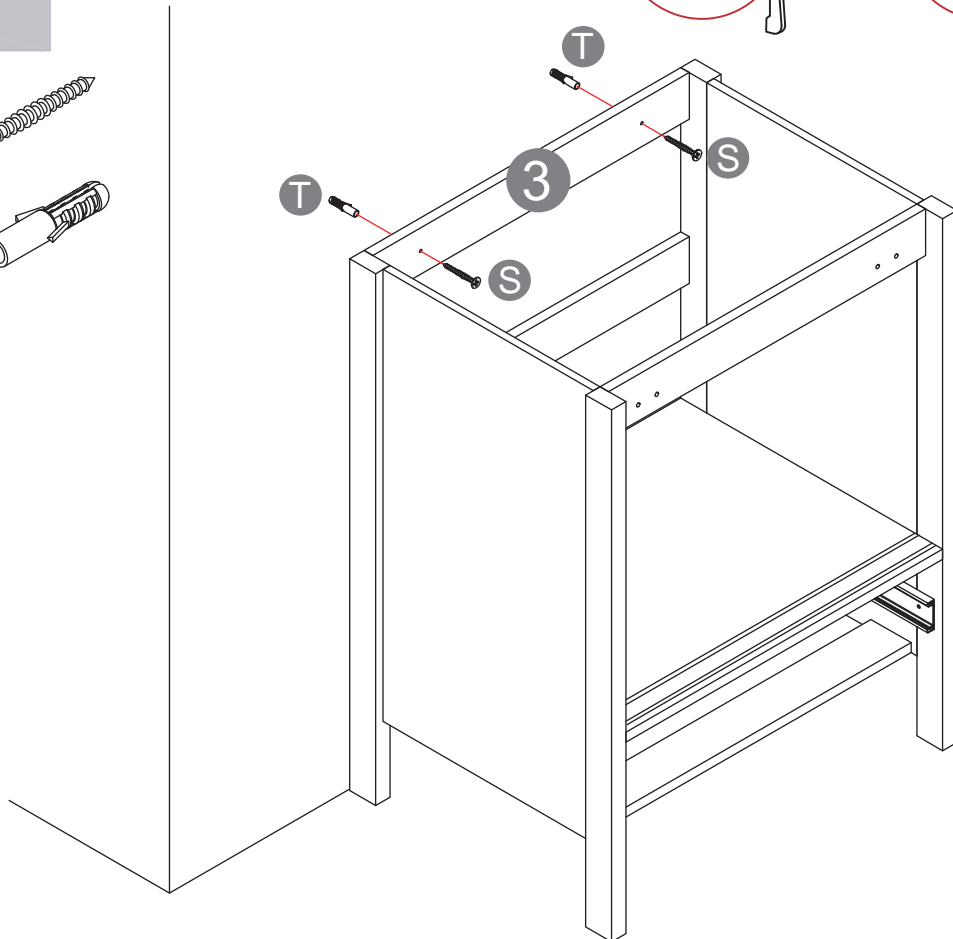
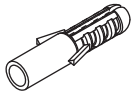


# STEP 8

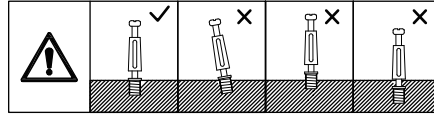
**S** x2pcs



**T** x2pcs

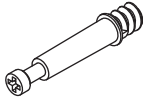


# STEP 9

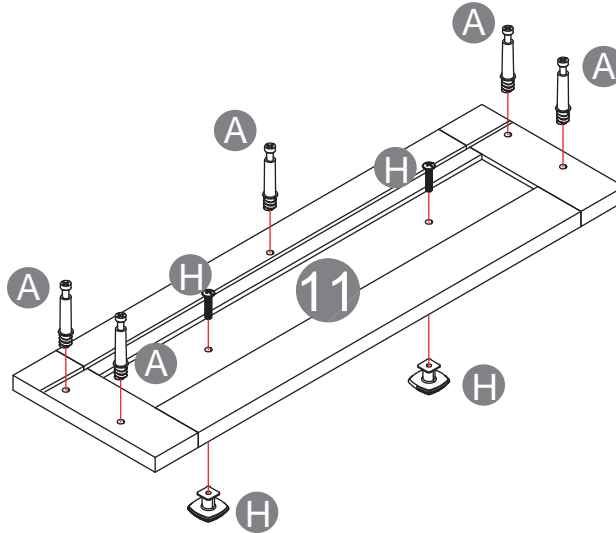
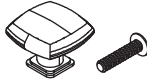


Note: Please make sure the screws are not too loose or too tight, or skewed.

**A** x5pcs

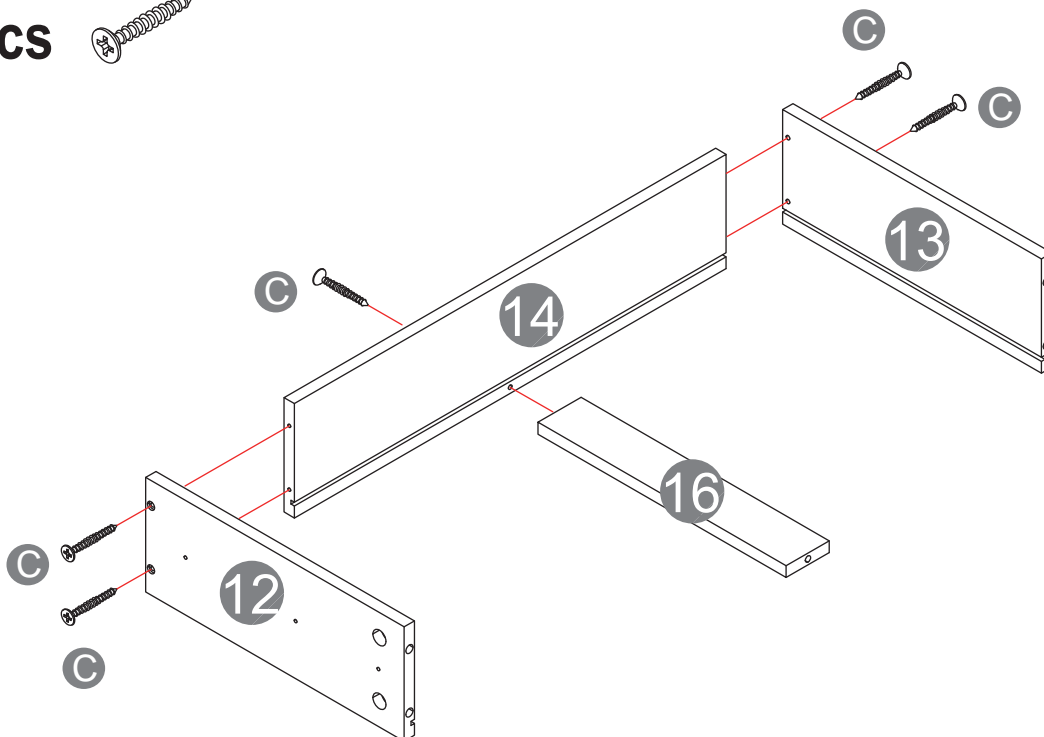
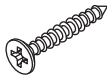


**H** x2pcs

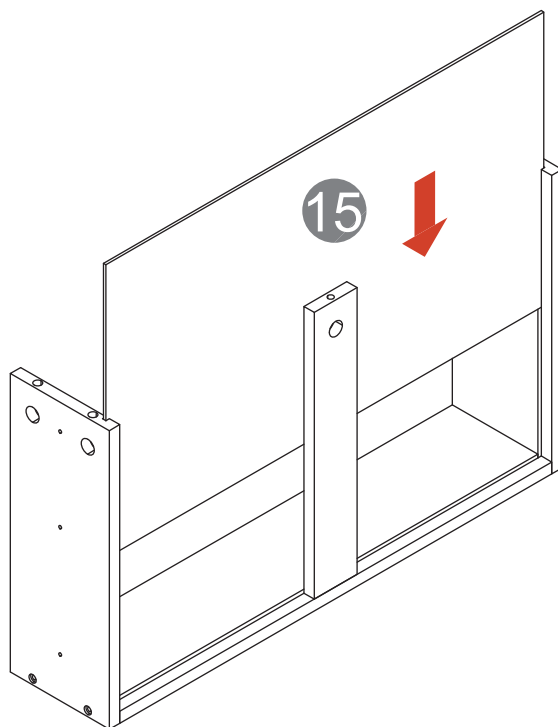


# STEP 10

**C** x5pcs

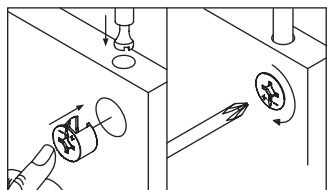
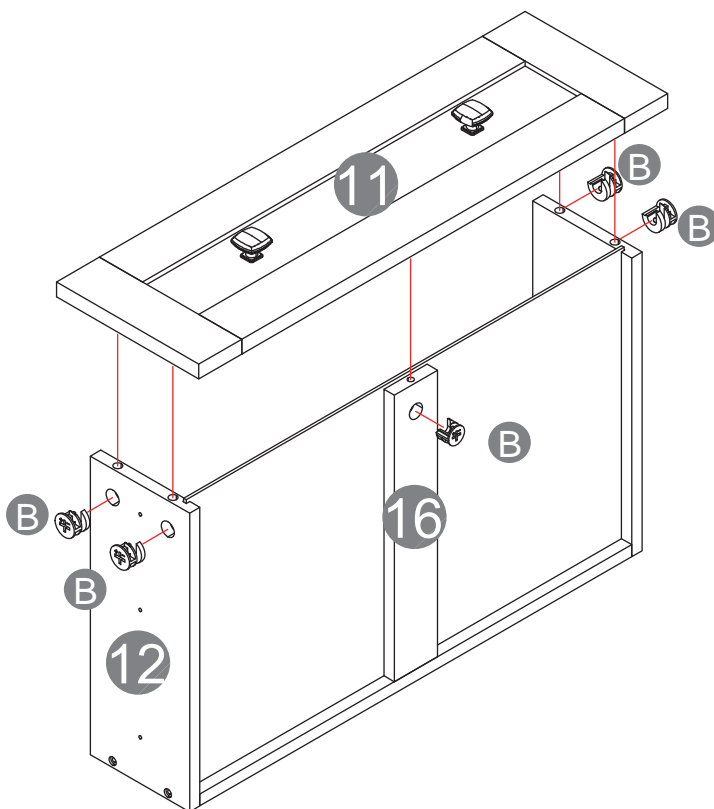


# STEP 11



# STEP 12

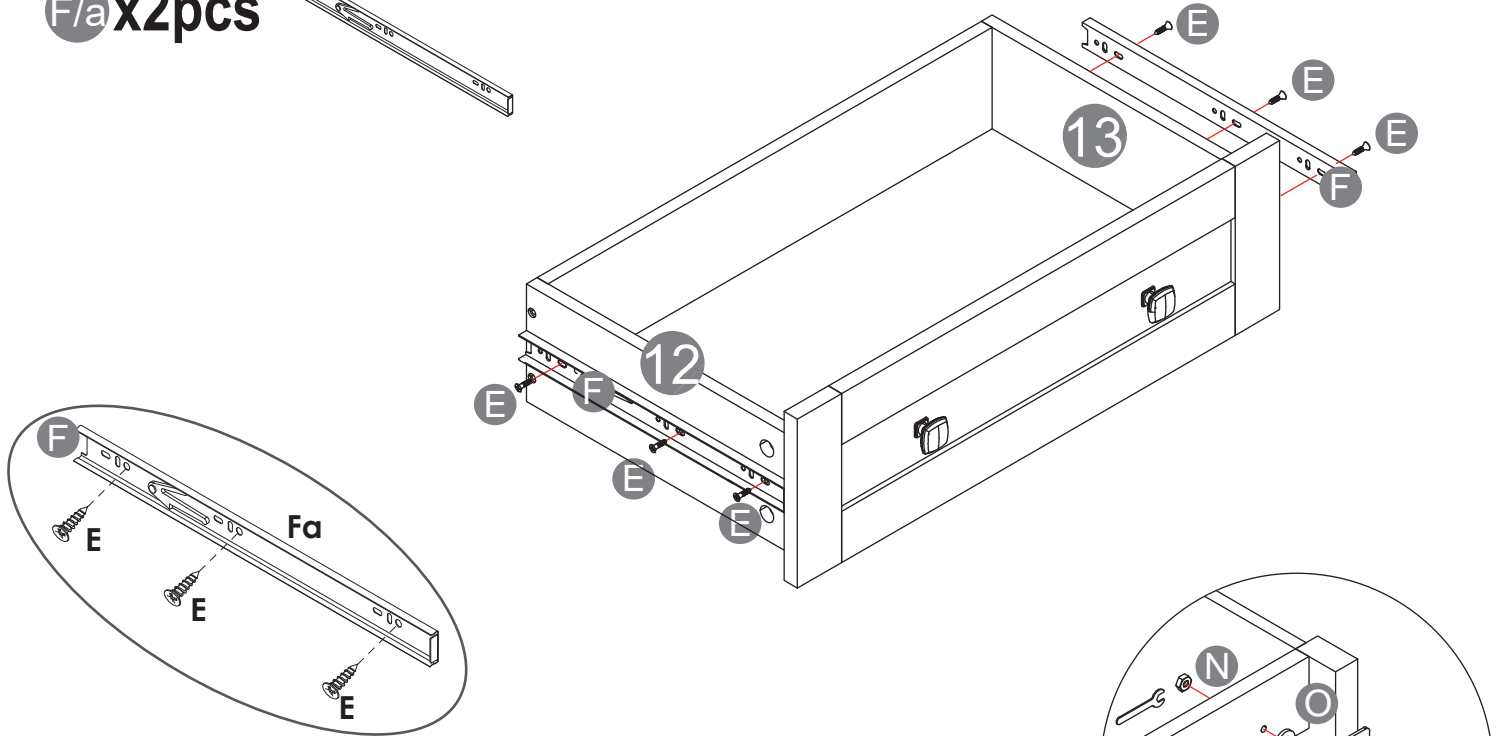
**B** x5pcs 



# STEP 13

**E** x6pcs 

**F/a** x2pcs 



# STEP 14

**M** x2pcs 

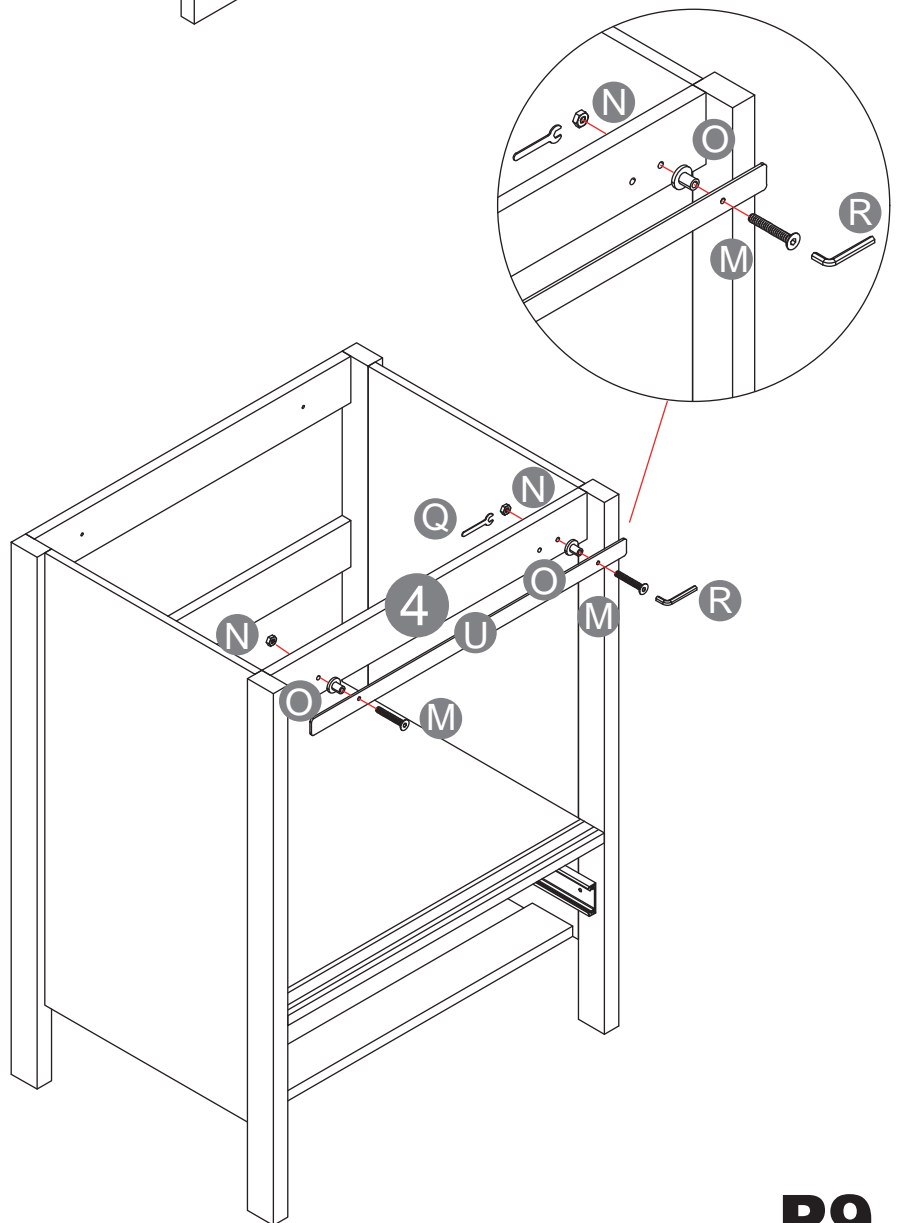
**N** x2pcs 

**O** x2pcs 

**Q** x1pc 

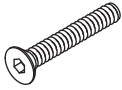
**R** x1pc 

**U** x1pcs 



# STEP 15

**M** x2pcs



**N** x2pcs



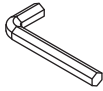
**O** x2pcs



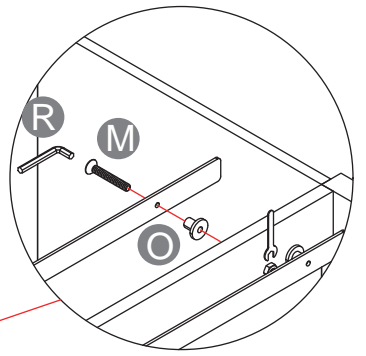
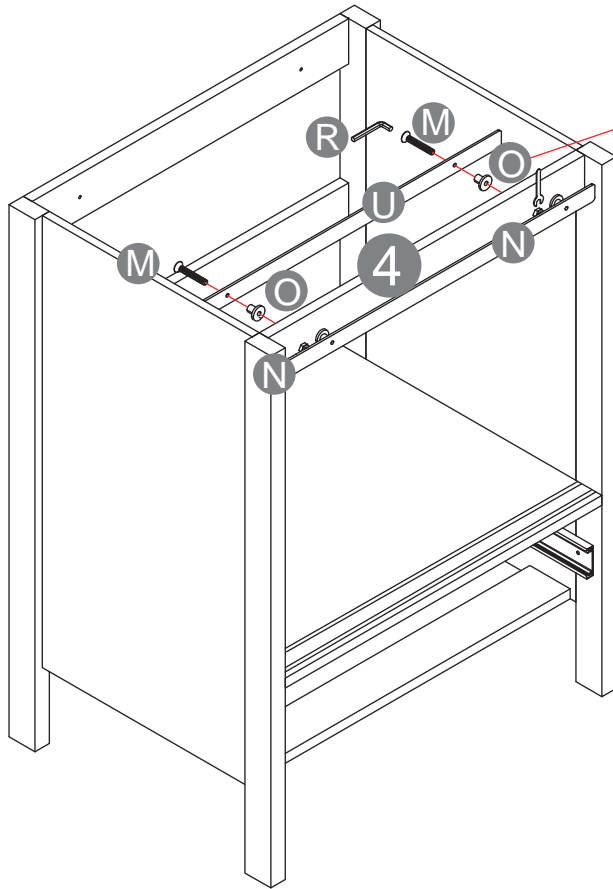
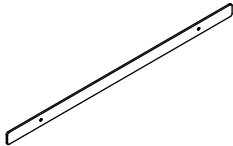
**Q** x1pc



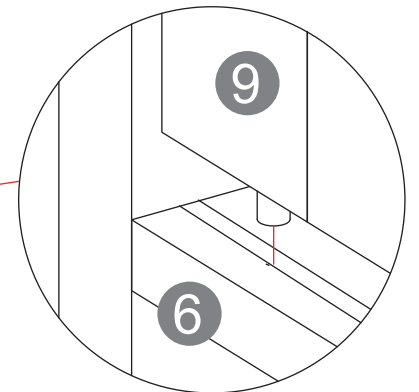
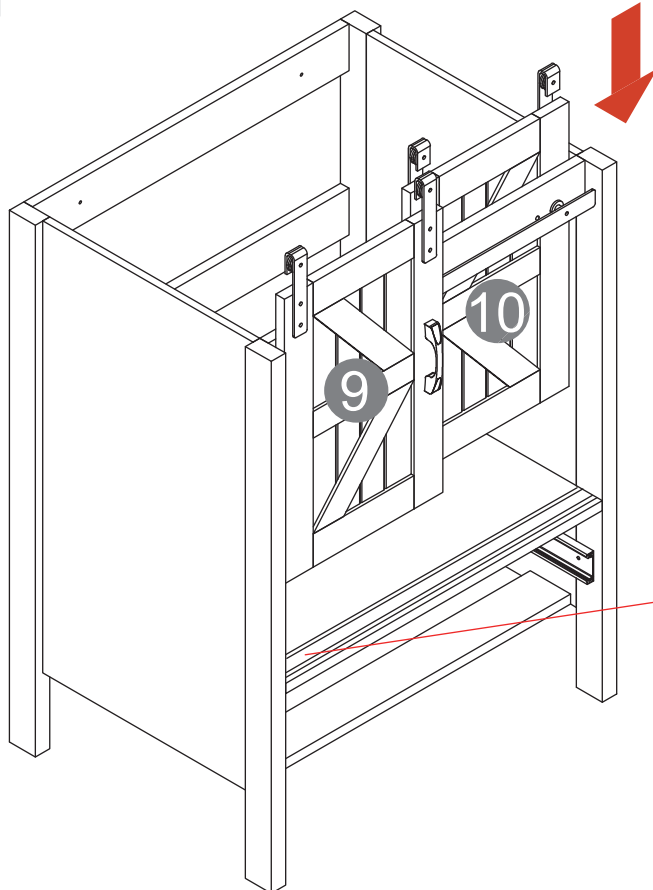
**R** x1pc



**U** x1pc



# STEP 16



# STEP 17

