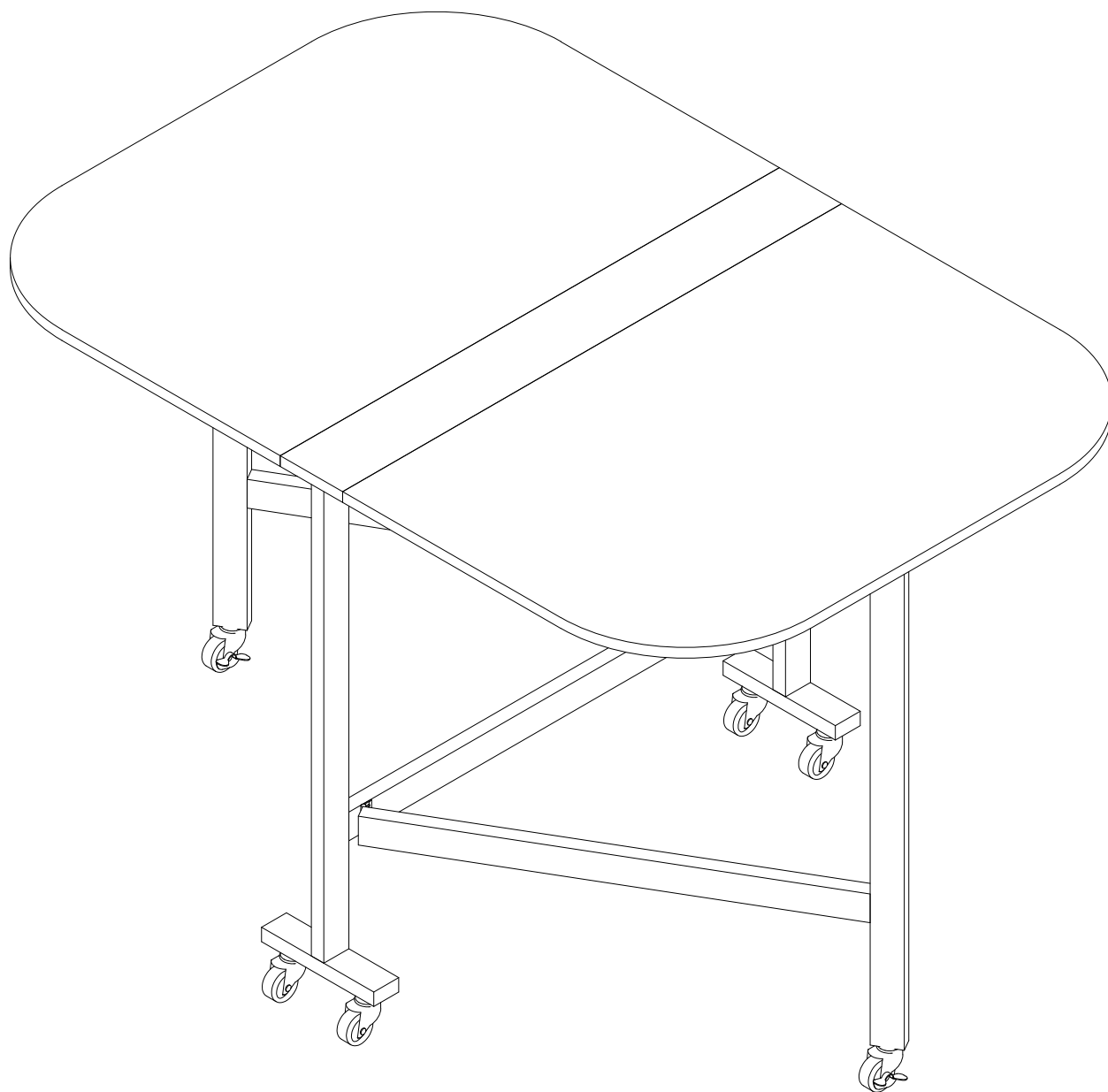
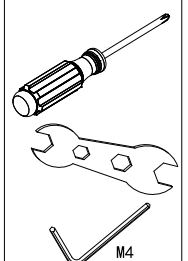
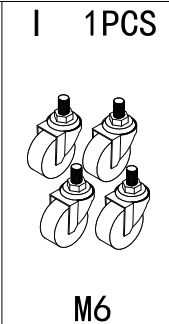
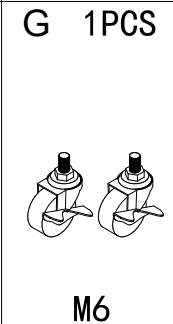
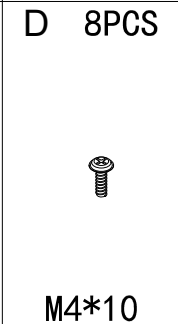
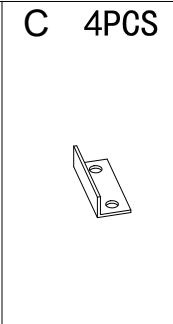
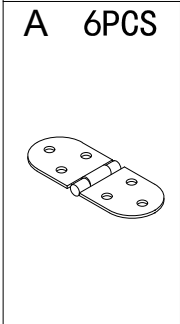
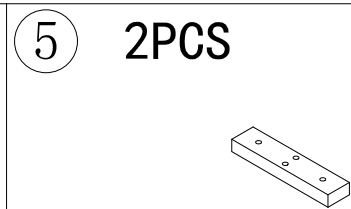
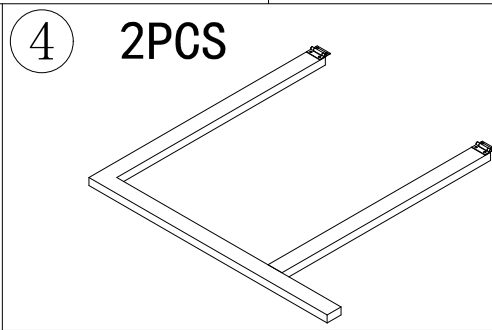
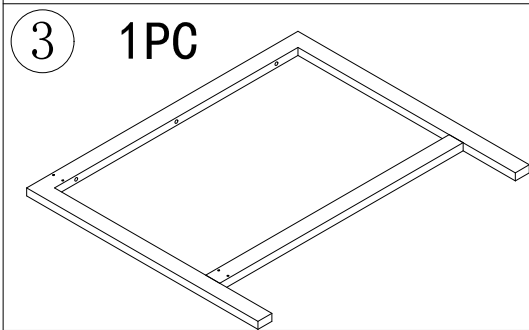
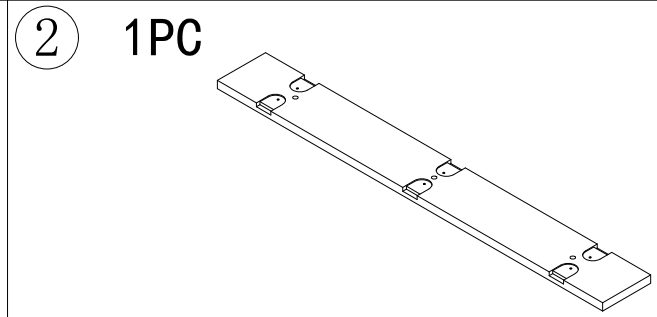
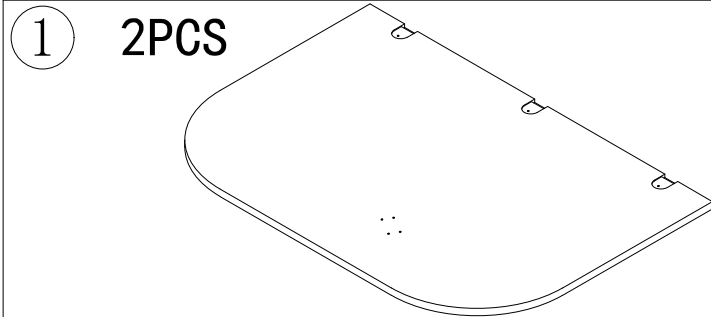
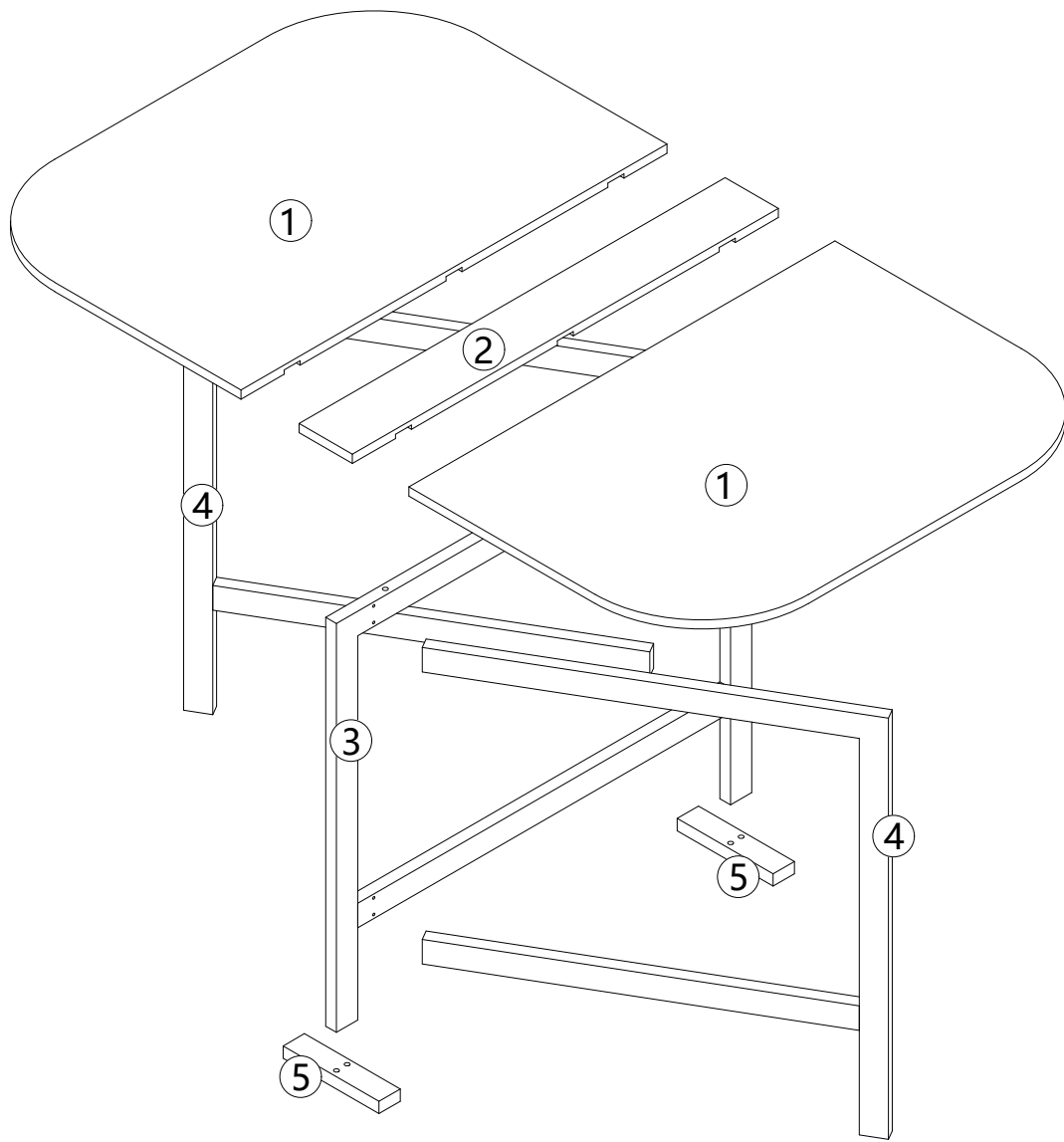


Installation & Assembly

folding table



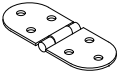
ASSEMBLY INSTRUCTION



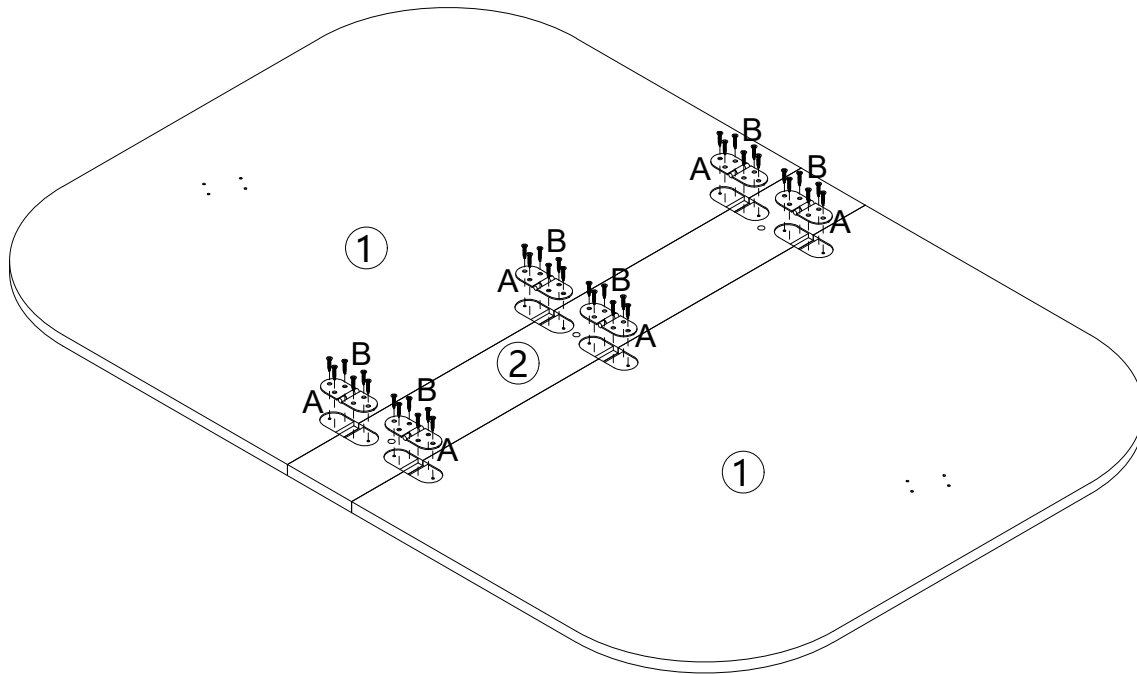
ASSEMBLY INSTRUCTION

STEP 1

A 6PCS



B 36PCS

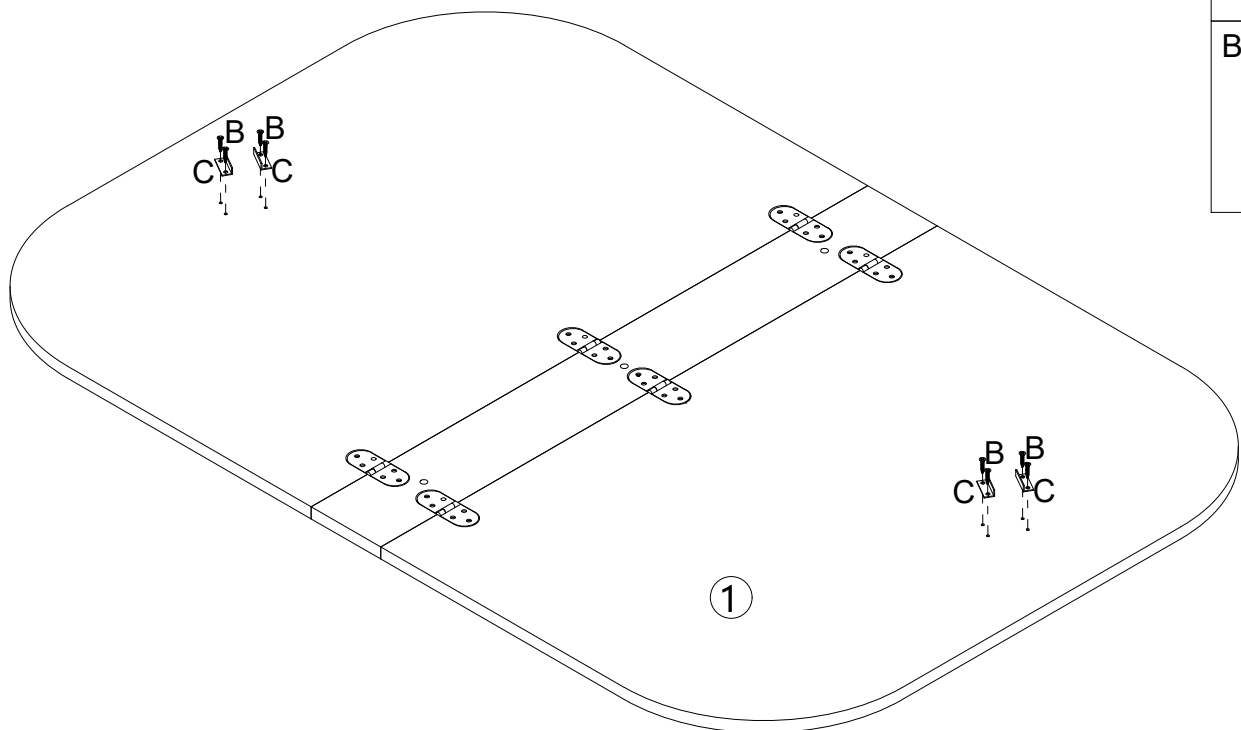


STEP 2

C 4PCS



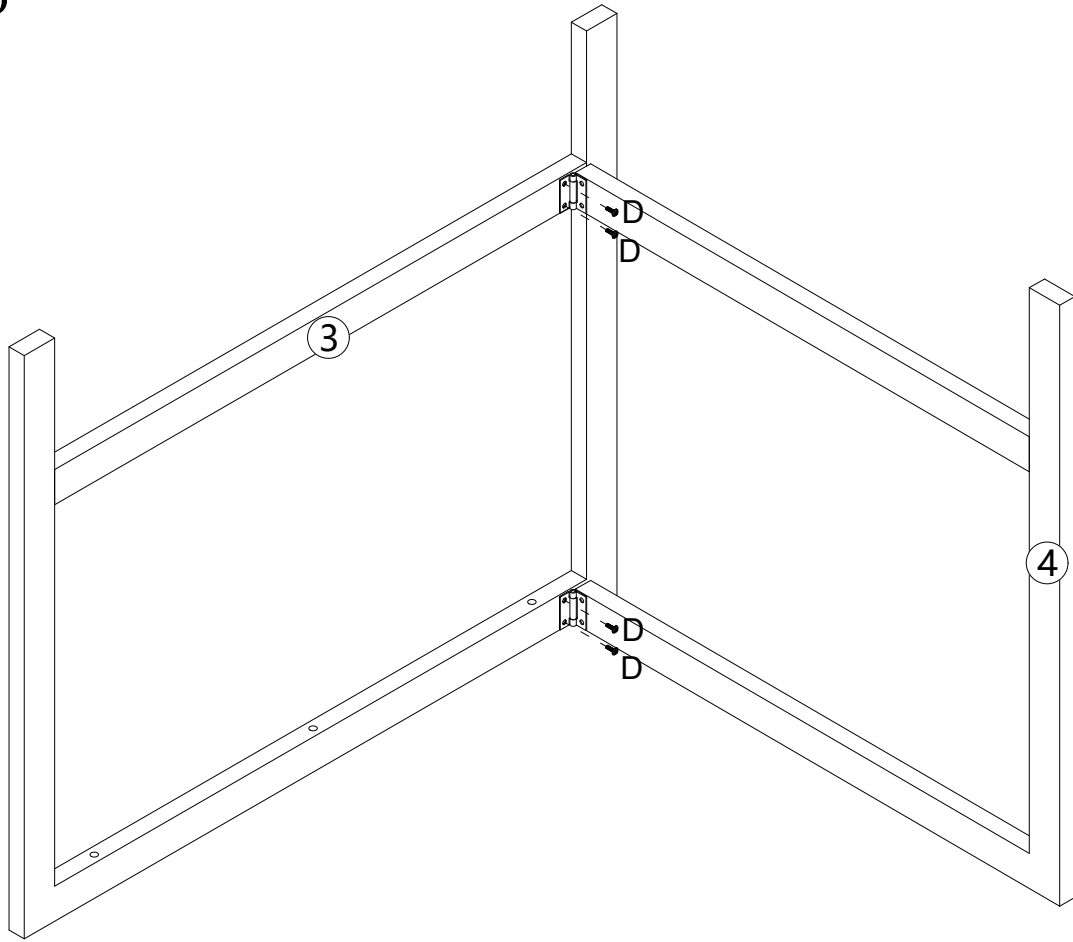
B 8PCS



ASSEMBLY INSTRUCTION

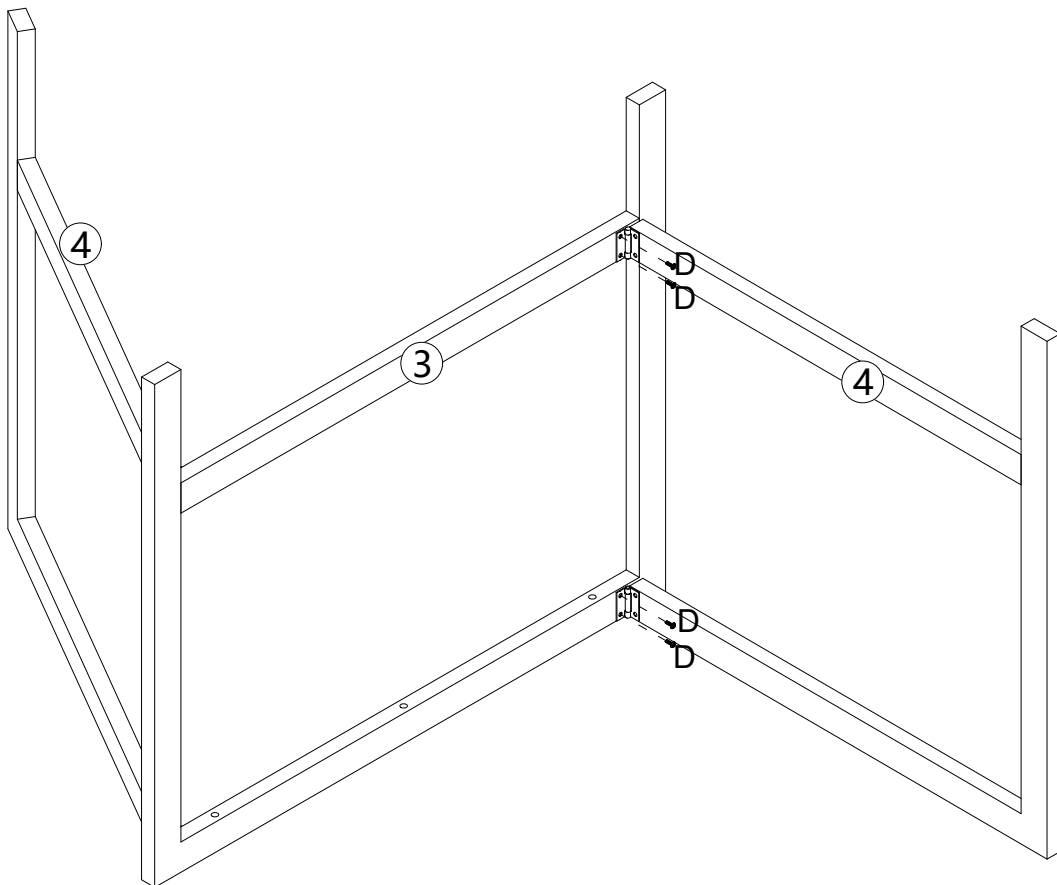
STEP 3

D 4PCS



STEP 4

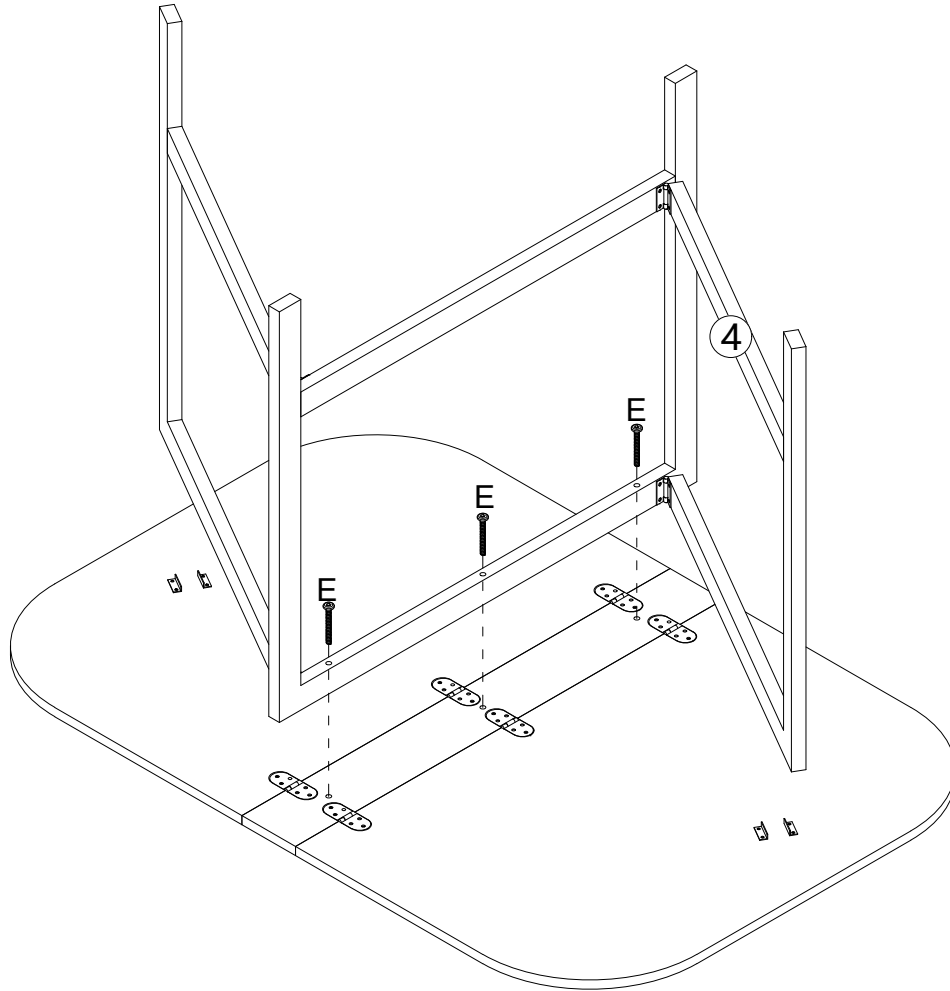
D 4PCS



ASSEMBLY INSTRUCTION

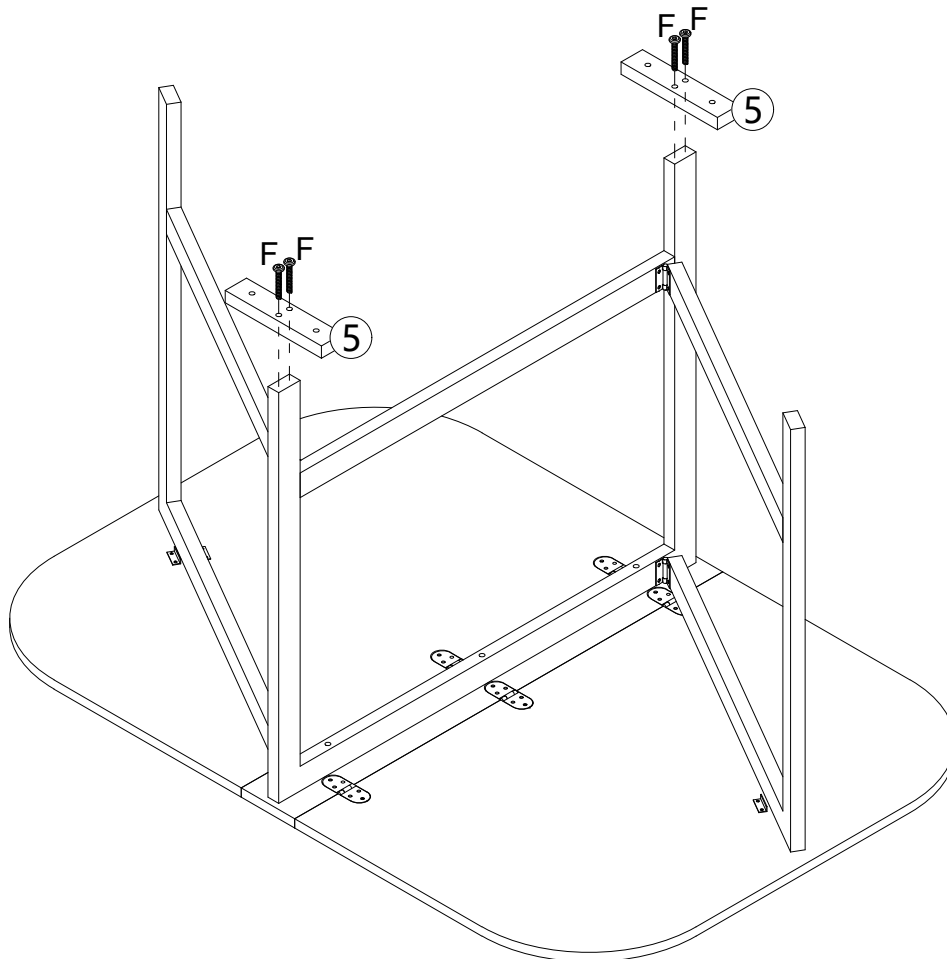
STEP 5

E 3PCS



STEP 6

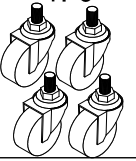
F 4PCS



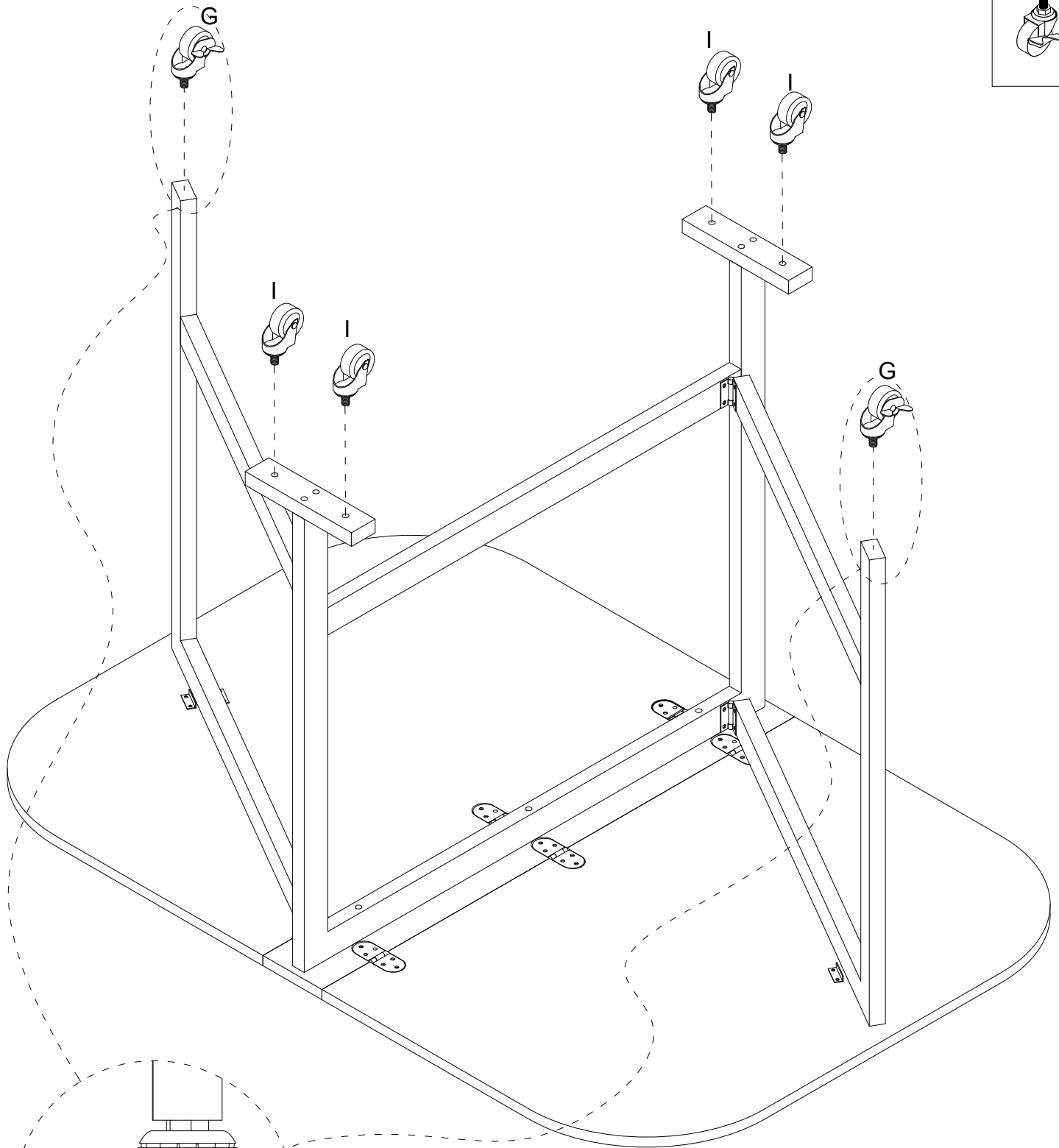
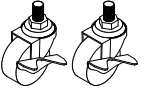
ASSEMBLY INSTRUCTION

STEP 7

I 1PC

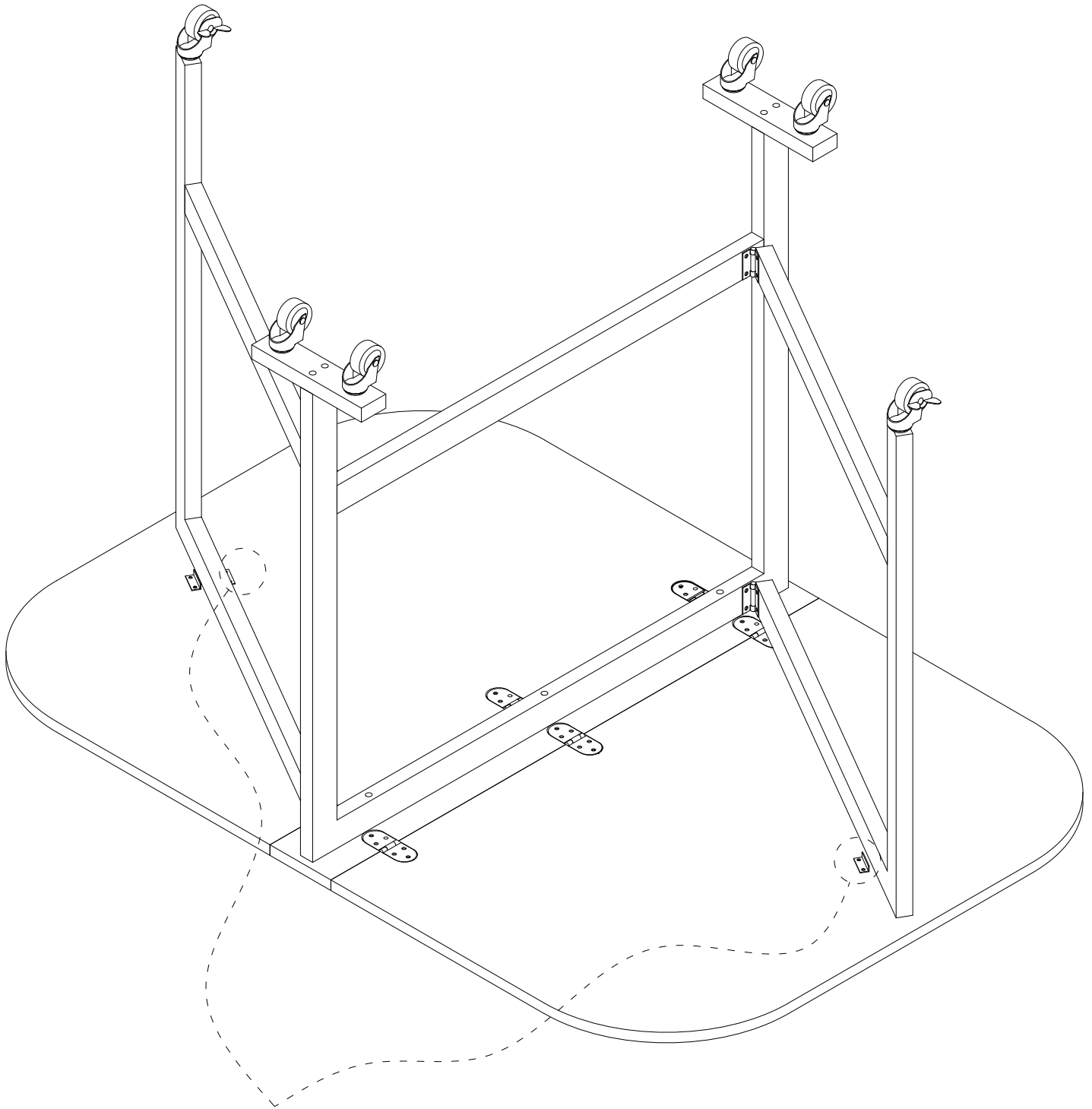


G 1PC



Tighten it until it is flush with the steel pipe.

STEP 8



When you want to put away the table, remove this iron piece