

GW-90-GH

Shower Enclosure Installation Guide

Halo Glass Hinge 90°
Shower Enclosure



Read all Instructions Prior to Installation.
Professional Installation Required.

GLASSWAREHOUSE

Important Safety Information



WARNING!

Professional Installation Only

- Installation of Glass Products (I.E., Shower and Tub Doors/Enclosures) should be done only by a licensed, experienced contractor
- Installation by an unlicensed or inexperienced installer may result in breakage, damage to property or serious injury.

Risk of Glass Breakage or Shattering

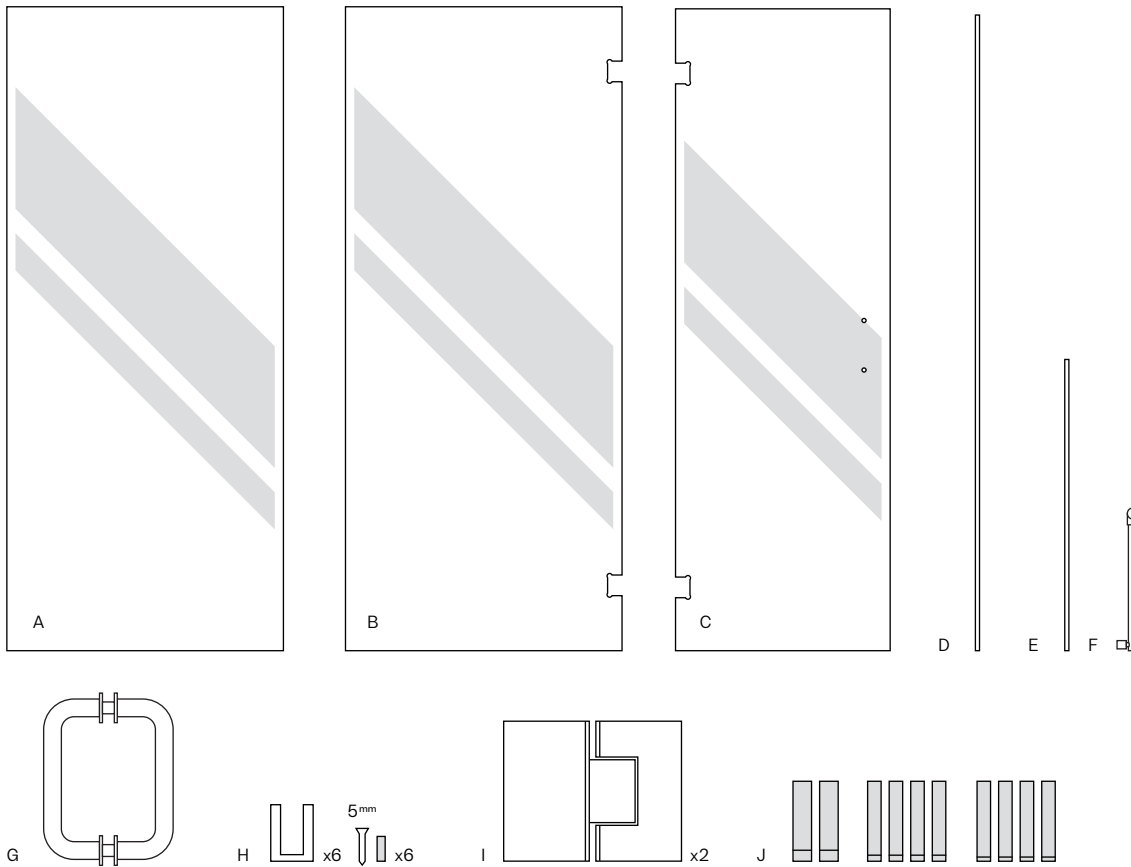
- **DO NOT** use excessive force when opening and closing the shower door or utilizing moving parts.
- Excessive force can result in glass panel shattering with explosive force resulting in serious injury or death. Test all doors and moving parts with care.

Instruct Children in Proper Use.

- Educate children and minors in proper usage of a frameless glass enclosure.
- **DO NOT** allow excessive force, leaning against or hanging from a frameless enclosure. Such actions are inherently dangerous and can result in serious injury or death.

Avoid Contact with Tile Surface During Installation

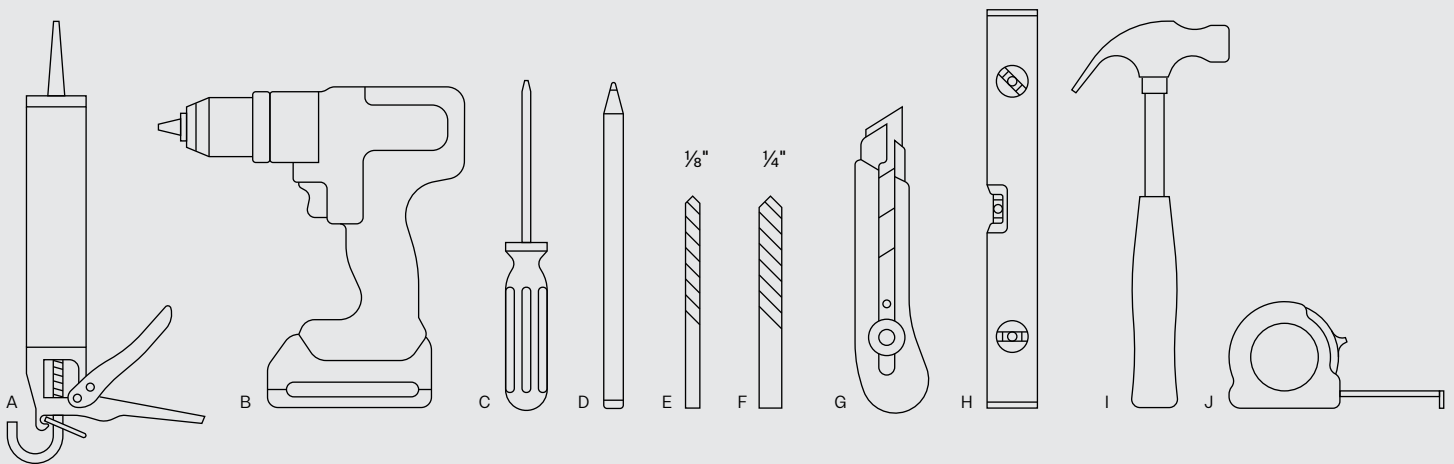
- Ensure glass panels are placed on rubber blocks or cardboard packing while out of the packaging prior/ during install to protect against breakage.
- Rubber block is provided in hardware pack.
- Wood, cardboard, or other rubber products can also be used.



Included in your purchase: Shipped in 5 separate boxes

- A** Return Panel
- B** Hinge Panel
- C** Door Panel
- D** Sweep (Door Panel Edge)
- E** Bottom Sweep (Door Panel Bottom)
- F** 45° rod, screw and anchor
- G** Door Handle
- H** Clips, Screws and Anchors
- I** Glass Hinges
- J** Rubber Block set (various sizes)

Installation Guide



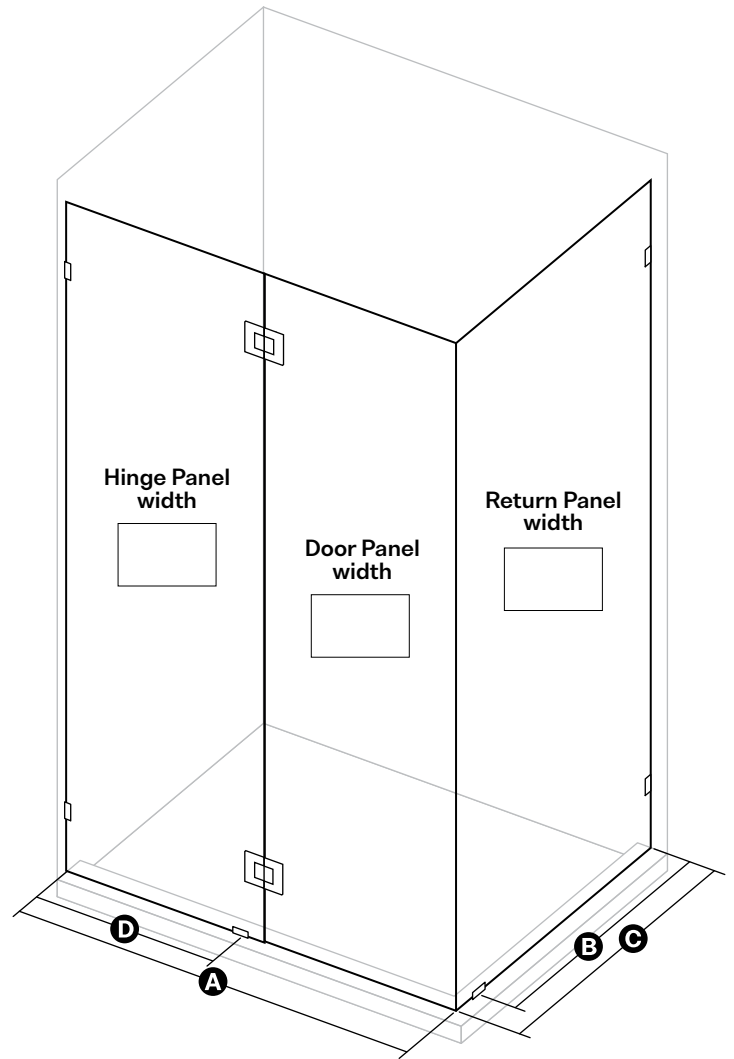
Tools required for install.

- | | |
|------------------------------------|------------------------------|
| A Silicone and caulking gun | F 1/4" tile drill bit |
| B Power drill | G Utility knife |
| C Phillips head screwdriver | H Level |
| D Pencil | I Hammer |
| E 1/8" tile drill bit | J Tape measure |

Note: Silicone is not provided and will need to be purchased separately. We recommend using a clear, mold resistant silicone which can be purchased at your local hardware store.

Before You Start

- Read over the installation guide and calculate your measurements before you start your installation.
- Write down your Panel sizes so you can easily refer to your notes during the installation process. Panel sizes will be marked on each box.
- Be sure all of your shower measurements match your delivered items.
- Take note of any uneven or out-of-plumb areas of your shower that may need attention.
- NOTE: If your Hinge Panel Wall is out of plumb and leans inward (at the top) towards your Return Panel, add the out of plumb measurement to value A below.



Some important measurements.

Some measurements will need to be made after specific steps during the installation process.

A Return Panel center line:

Hinge Panel width +
Door Panel width + $\frac{5}{8}$ "

=

B Return Panel Bottom Clip location:

Return Panel width from wall - $3\frac{1}{2}$ "

=

C Hinge Panel center line:

Return Panel width in Wall Clips from wall - $\frac{3}{16}$ "
from the exterior side of Return Panel

=

D Hinge Panel Bottom Clip location:

Hinge Panel width - $3\frac{1}{2}$ "
from the exterior side of Return Panel

=

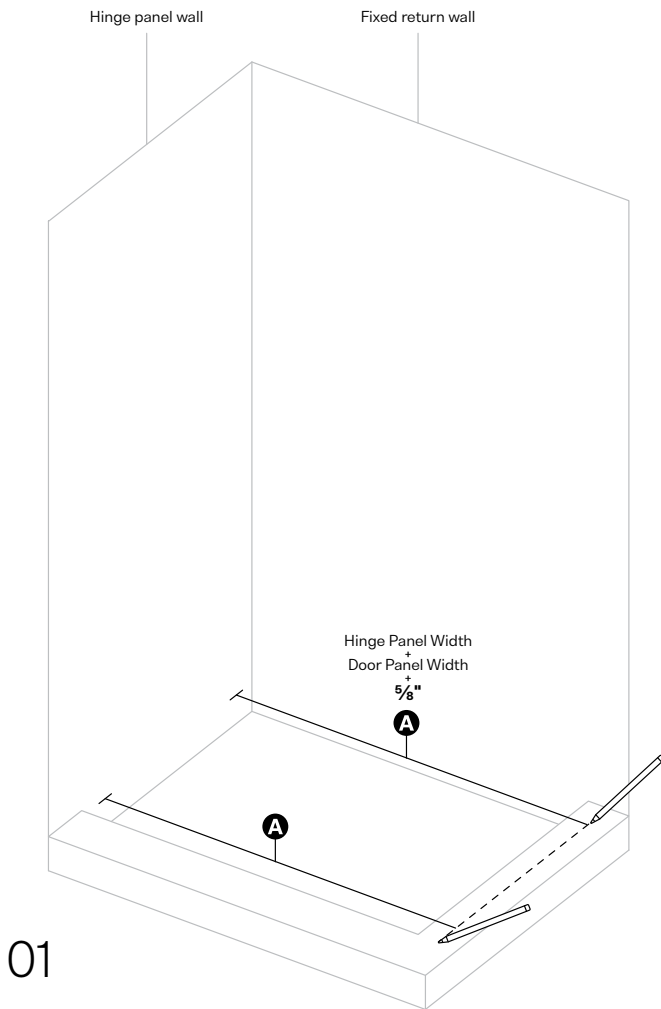
WARNING

For Fiberglass Walls: When installing on fiberglass walls, ensure a stud is directly behind the panel mounting location. Failure to do so may result in structural instability, damage to the enclosure, and/or death or serious injury.

NOTICE

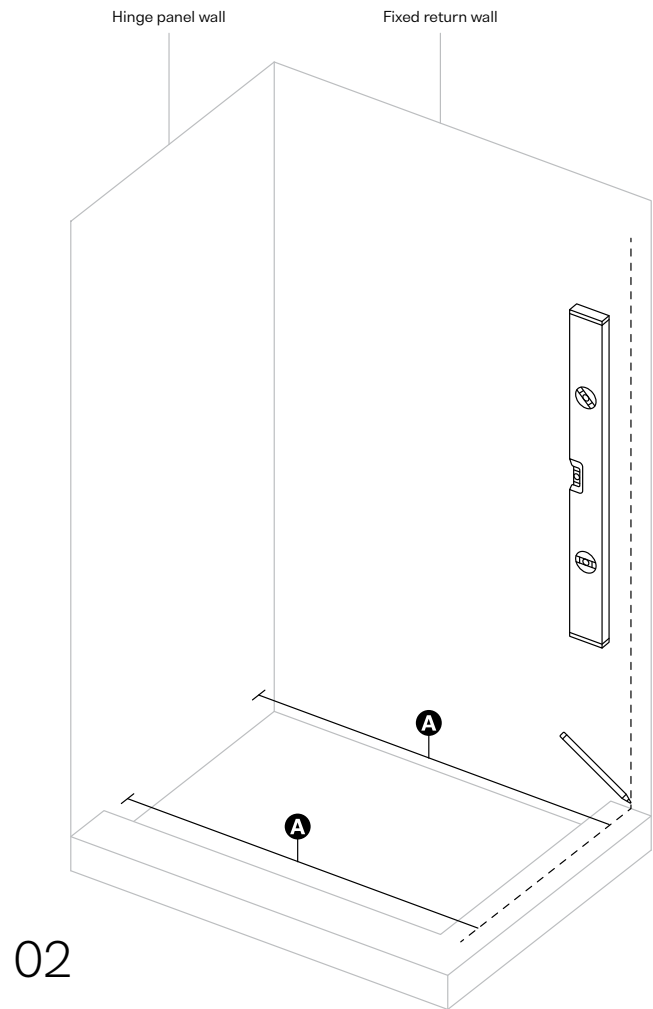
Reversible Installation: This panel is fully reversible and can be installed on right or left hand wall as needed.

Tip: We recommend marking with a pencil for easy removal.



Measure and mark the Return Panel center line starting point.

From the opposite wall of where you intend to place the Return Panel, add the measurements of Hinge Panel width plus the Door Panel width and add an additional $\frac{5}{8}$ ". This is the location of the starting point to mark the center line for the Return Panel.



Mark the Return Panel center line.

Use a level and from your marked starting point, mark a line up the wall on the side you wish to place the Return Panel. This is your center line for the Return Panel and Wall Clips. Along the threshold, draw a line equal measure. This is your floor center line for the Return Panel Bottom Clip or Rubber Block.

NOTICE

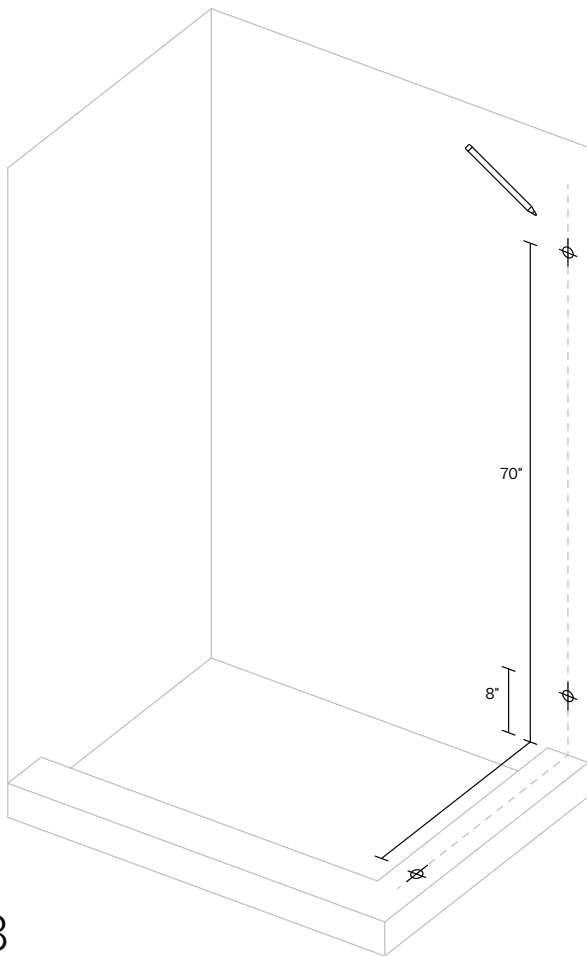
Third Clip Installation: The third Clip for the bottom of the Panel is optional. If you prefer not to drill into your fiberglass shower base, see step 9.

WARNING

For Fiberglass Walls: When installing on fiberglass walls, ensure a stud is directly behind the panel mounting location. Failure to do so may result in structural instability, damage to the enclosure, and/or death or serious injury.

NOTICE

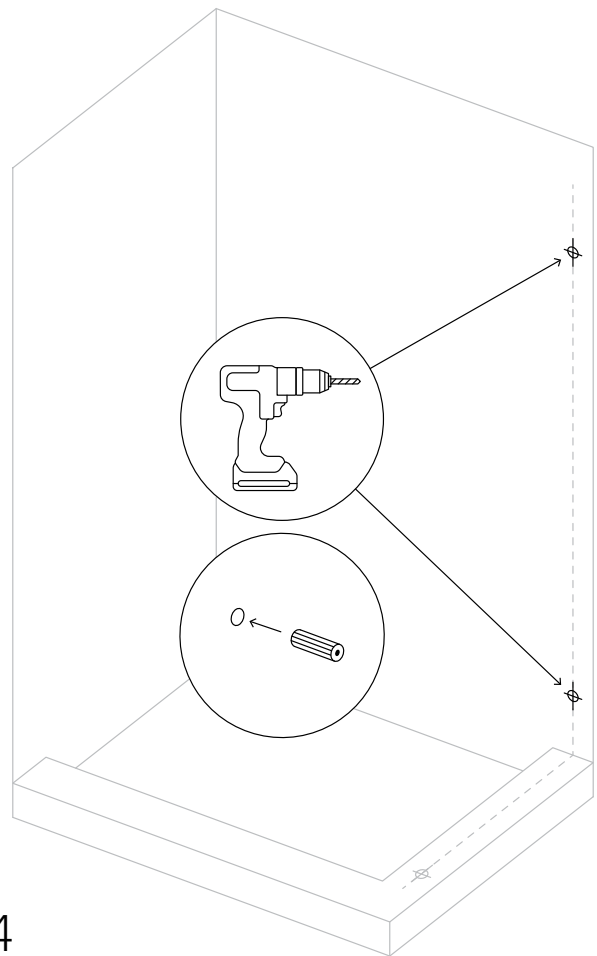
Pilot Hole: A 1/8" tile drill bit can be used to create pilot holes for a tiled enclosure, but this is optional.



03

Mark the three Return Panel Clip locations.

- 1 70" from the threshold up the Return Panel vertical center line.
- 2 8" from the threshold up the Return Panel vertical center line.
- 3 Measure width of Return Panel and subtract 3½" - Measure this distance out from wall and mark on threshold.



04

Drill the holes for the Return Panel Wall Clips.

Using a ¼" drill bit, drill holes and install the wall anchors. Trim excess from the wall anchors hanging out of hole with utility knife so clips sit flush to wall.

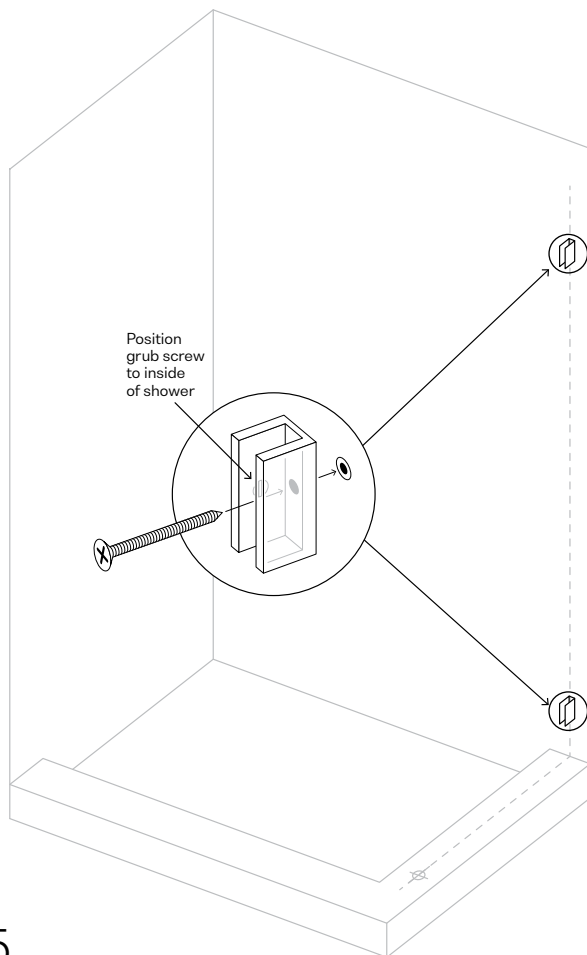
If the shower wall is fiberglass, use a ⅛" drill bit for the wall holes. You will not use the green Anchor but rather screw the Wall Clips directly into the fiberglass shower wall.

WARNING

Rubber Tips on Grub Screws: Ensure all grub screws in the wall clips include rubber tips to prevent contact damage to the glass panel. If grub screws do not have rubber tips, glass could potentially shatter, causing injury. If any grub screws are missing rubber tips, do not proceed. If any grub screws are missing rubber tips, do not proceed. Contact Glass Warehouse at inquiries@glasswarehouse.us for replacement parts.

NOTICE

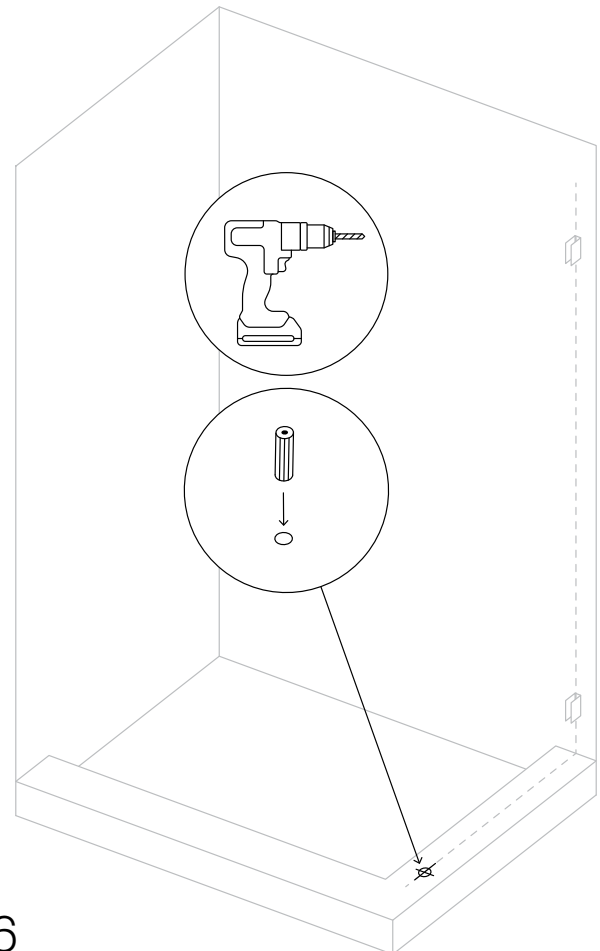
Fiberglass Shower Base: When securing the bottom clip to a fiberglass shower base, use a 1/8" drill bit to predrill the hole. **Do not** use the wall anchor. Screw directly into the fiberglass base to ensure proper attachment and structural support.



05

Fix Wall Clips for Return Panel.

Place Wall Clips over holes and drill in screws to secure the Clips. Be sure grub screws on Clips are facing the shower interior. Make sure the clips are securely tightened to the wall.



06

Drill the hole for Return Panel Bottom Clip.

If you are not drilling into your shower base and prefer the Rubber Blocks option instead of using the Bottom Clip, please go to step 9.

If the shower base is fiberglass, use a 1/8" drill bit for the third hole. You will not use the Wall Anchor but rather screw the Bottom Clip directly into the fiberglass base.

If the threshold is tiled, use the same 1/4" tile drill bit to drill the third hole on the threshold. Install the anchor and trim excess from the anchor hanging out of hole with utility knife so your clips can sit flush to threshold

Be sure to put a dab of silicone inside hole drilled for the Bottom Clip.

⚠ WARNING

Rubber Blocks: The rubber blocks are a permanent structural component of the installation. Removing them can cause the glass panel to shift or crack, and may void product warranty or result in death or serious injury. Ensure all blocks remain securely positioned and fully supporting the panel before final sealing.

Tip: Use additional rubber blocks on either existing blocks to raise/drop the fixed panel if required.

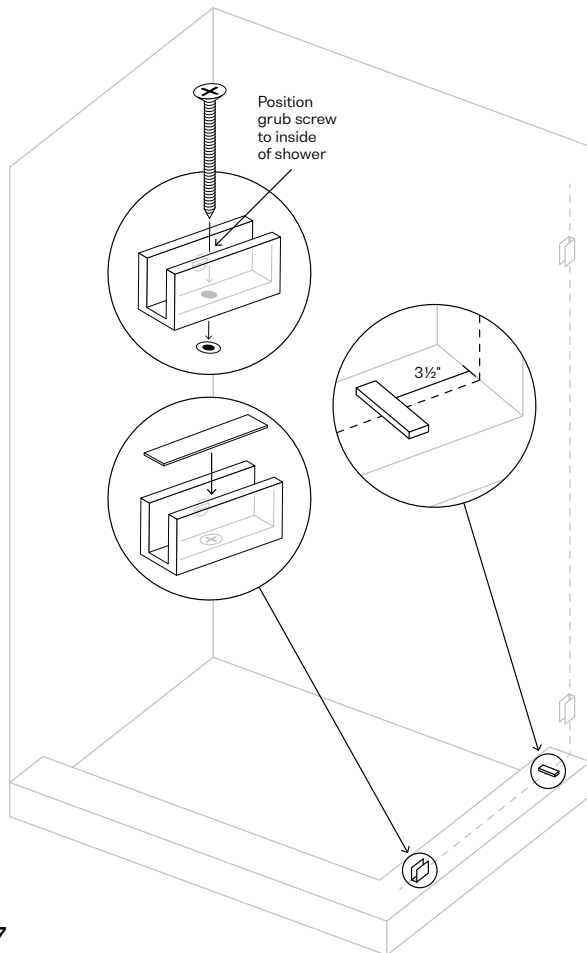


NOTICE

Certification Stamp: All Glass Warehouse panels include a tempered safety glass certification stamp located in one corner of each panel. Install all panels with the stamp positioned in the bottom corner closest to the wall where it will be less visible. Note: Certification stamp is baked into the glass during the tempering process and cannot be removed.

⚠ WARNING

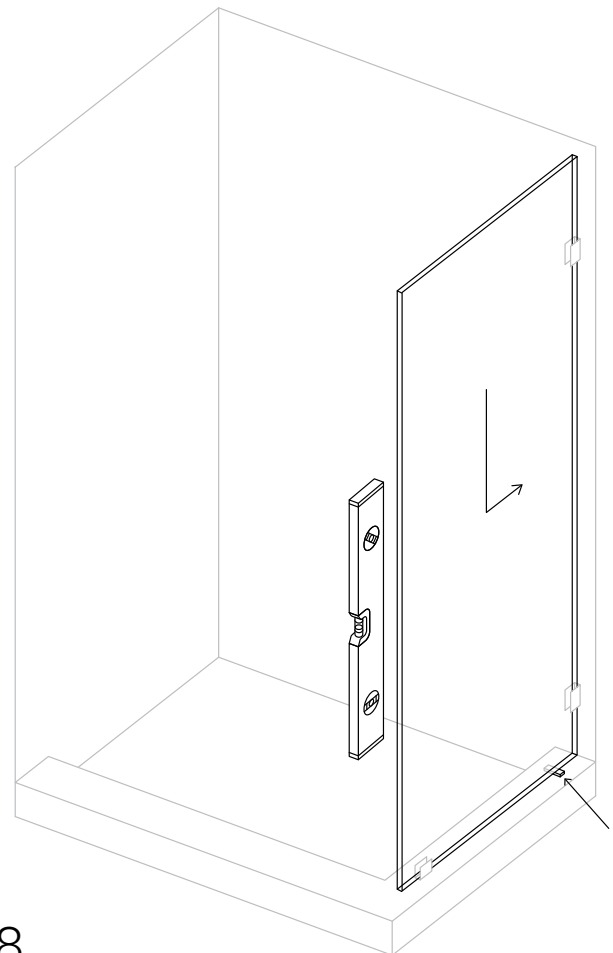
Cardboard Packaging: Always place glass panel on cardboard or other protective surfaces during installation. Failure to use protective surfaces can cause glass to chip, crack, or shatter, creating sharp edges. Improper handling of glass can result in death or serious injury.



07

Install Return Panel Bottom Clip and Rubber Block.

Install Return Panel Bottom Clip and place a $\frac{1}{16}$ " rubber block inside the Bottom Clip to protect Return Panel during installation. Place $\frac{1}{8}$ " thick Rubber Block provided $3\frac{1}{2}$ " in from where the Return Panel and wall meet and where the Return Panel will sit on the tile or threshold.



08

Set the Return Panel in place.

Carefully place the Return Panel on to the Rubber Blocks, into the Bottom Clip and slot it into the Wall Clips. On the edge that will meet the Fixed Panel, use a level to make sure the Return Panel is level vertically and tighten Clip screws. Once finished with Step 08, go to Step 11.

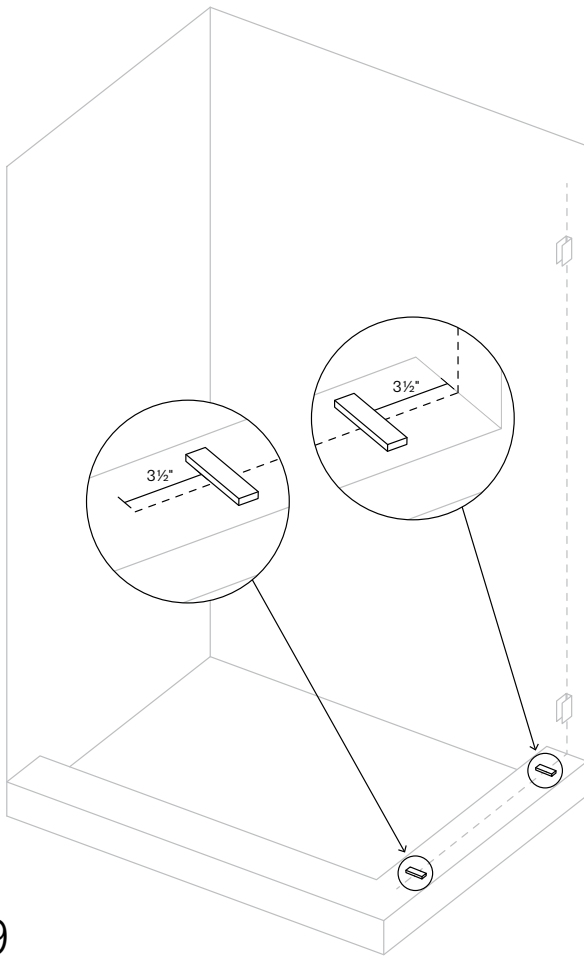
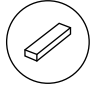
WARNING

Rubber Blocks: The rubber blocks are a permanent structural component of the installation. Removing them can cause the glass panel to shift or crack, and may void product warranty or result in death or serious injury. Ensure all blocks remain securely positioned and fully supporting the panel before final sealing.

WARNING

Cardboard Packaging: Always place glass panel on cardboard or other protective surfaces during installation. Failure to use protective surfaces can cause glass to chip, crack, or shatter, creating sharp edges. Improper handling of glass can result in death or serious injury.

Tip: Use additional rubber blocks on either existing blocks to raise/drop the fixed panel if required.

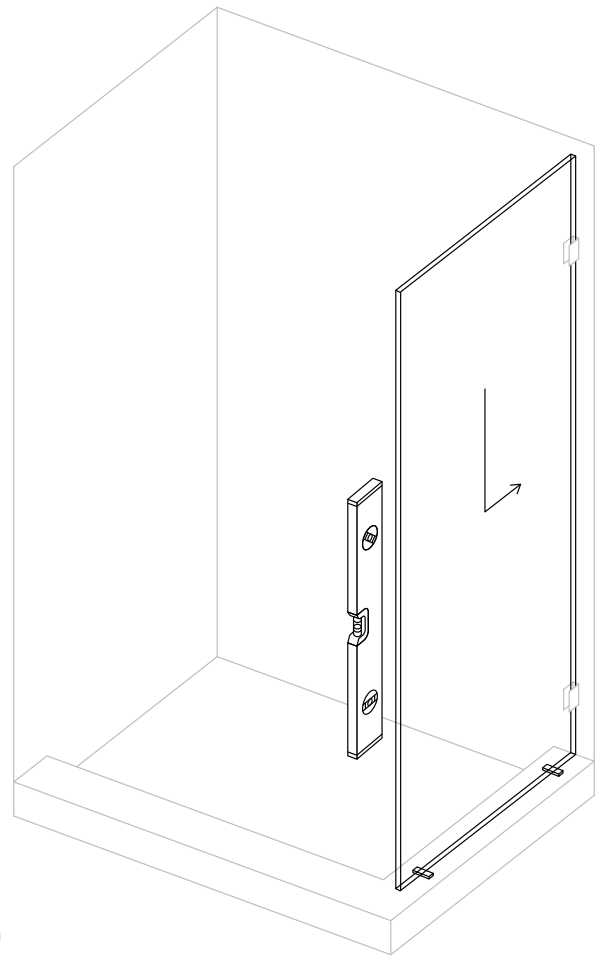


09

Measure and place Rubber Blocks.

If you are not drilling into the shower base and prefer the Rubber Blocks option instead of using the Bottom Clip, continue here.

Measure 3 1/2" from wall and place the first 1/8" thick Rubber Block. Take the Return Panel width and subtract 3 1/2" and measure from the wall and place the second 1/8" thick Rubber Block. The Return Panel will rest on the Rubber Blocks.



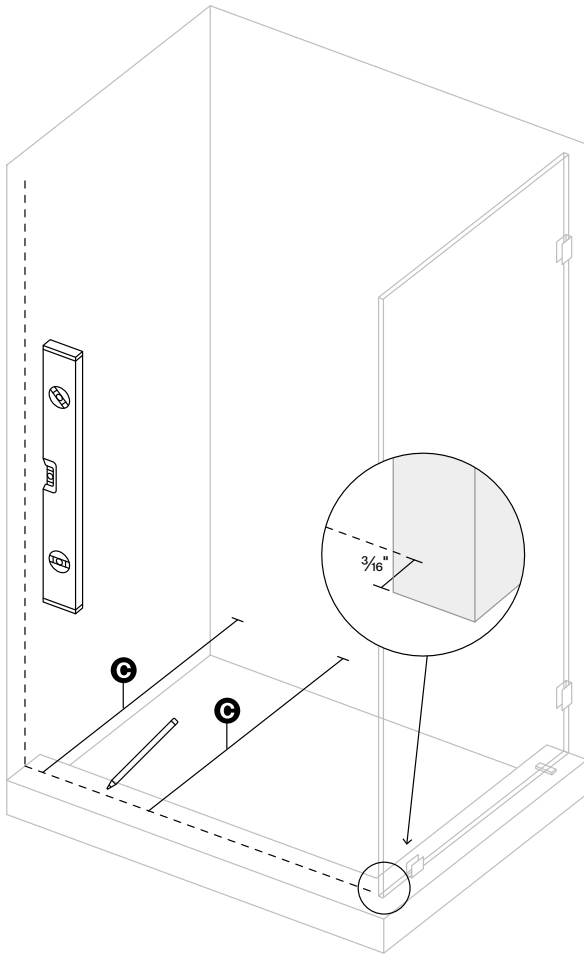
10

Set the Return Panel in place.

Carefully place the Return Panel on to the Rubber Blocks and slot it into the Wall Clips. On the edge that will meet the Fixed Panel, use a level to make sure the Return Panel is level vertically and tighten Clip screws.

WARNING

Important: If your Hinge Panel is 10" wide or less, do not subtract $3\frac{1}{2}$ ". Instead, measure from the wall three quarters of the total width of your Hinge Panel and use that measurement for the Bottom Clip. For Example: If your Hinge Panel is 8" wide, your measurement for the Bottom Clip would be 6".

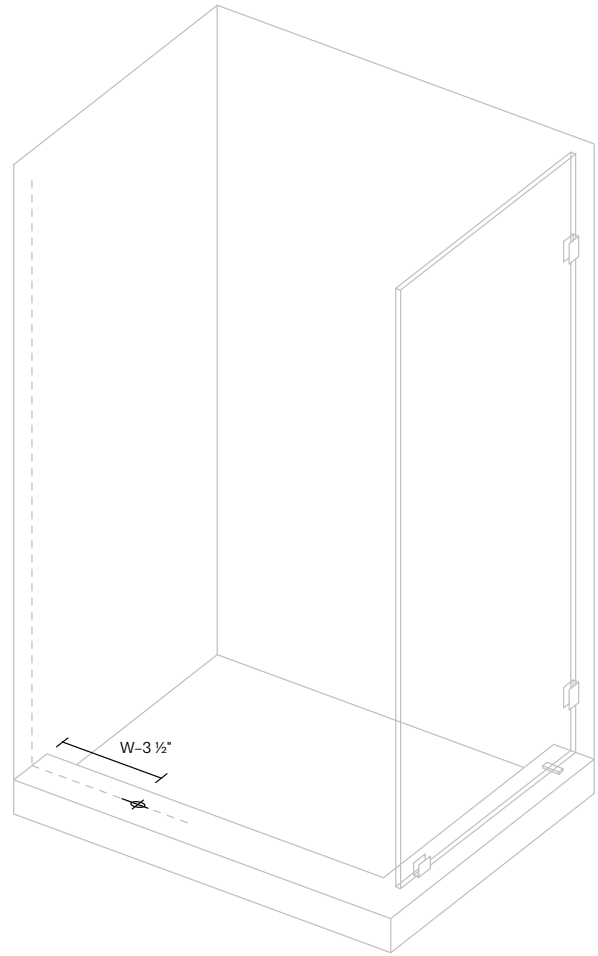


11

start line from
Return Panel width
from wall - $\frac{3}{16}$ "

Mark the Hinge Panel center line.

The Hinge Panel outside edge lines up with the interior side of the Return Panel. Measure from the Return Panel wall plus the entire width of the Return Panel and subtract $\frac{3}{16}$ " (Measurement C from the Before You Start page). This is the the starting point of the Hinge Panel center line.



12

Mark the Hinge Panel Bottom Clip location.

Measure the width of the Hinge Panel minus $3\frac{1}{2}$ " to get the initial measurement for the Hinge Panel Bottom Clip. Measure this distance from the Hinge Panel wall toward the Return Panel. Mark with a pencil.

WARNING

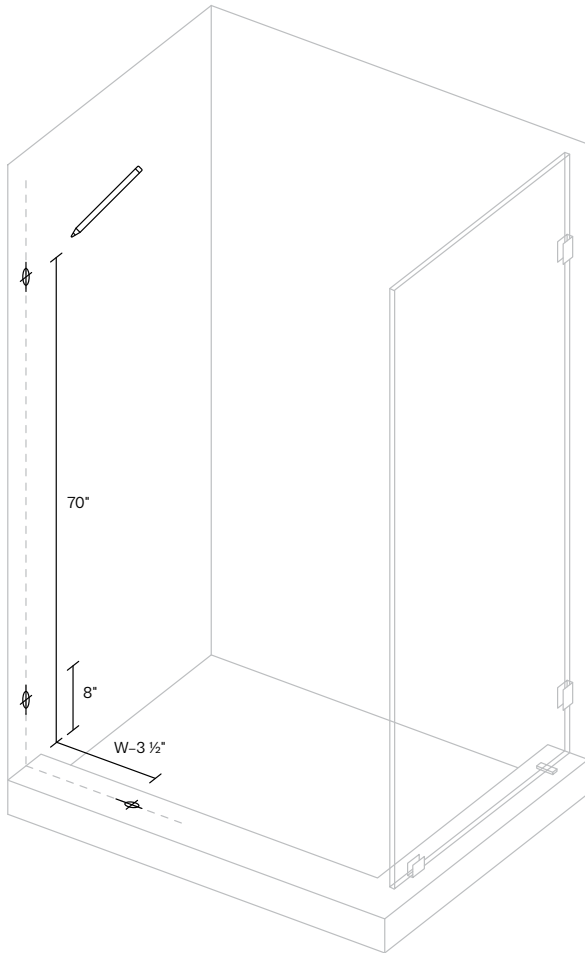
For Fiberglass Walls: When installing on fiberglass walls, ensure a stud is directly behind the panel mounting location. Failure to do so may result in structural instability, damage to the enclosure, and/or death or serious injury.

NOTICE

Pilot Hole: A 1/8" tile drill bit can be used to create pilot holes for a tiled enclosure, but this is optional.

WARNING

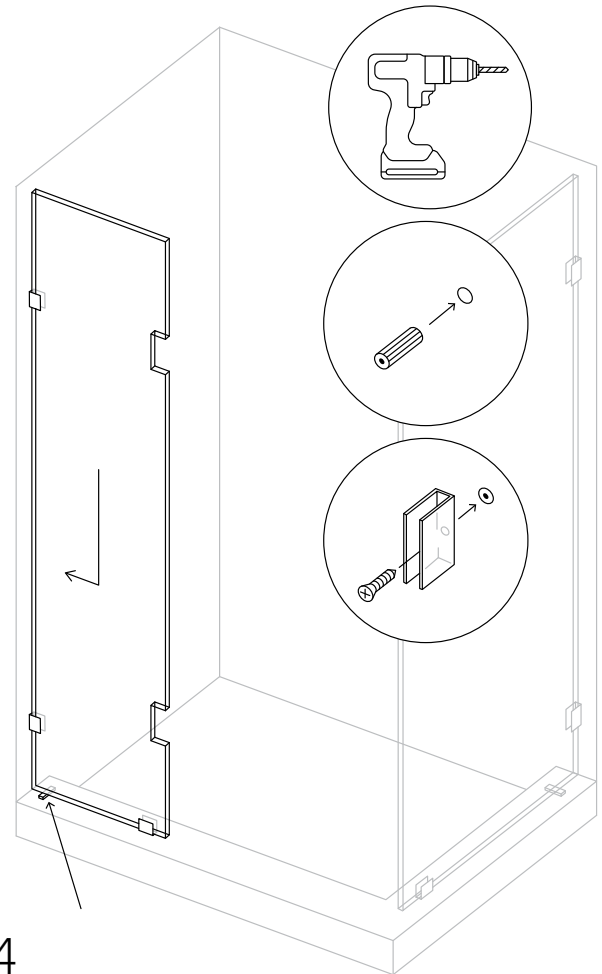
Rubber Tips on Grub Screws: Ensure all grub screws in the wall clips include rubber tips to prevent contact damage to the glass panel. If grub screws do not have rubber tips, glass could potentially shatter, causing injury. If any grub screws are missing rubber tips, do not proceed. Contact Glass Warehouse at inquiries@glasswarehouse.us for replacement parts.



13

Mark the Wall Clip locations.

- A** 70" from the floor, up the vertical line.
- B** 8" from the floor, up the vertical line.



14

Drill holes, fix anchors and clips, then set Hinge Panel.

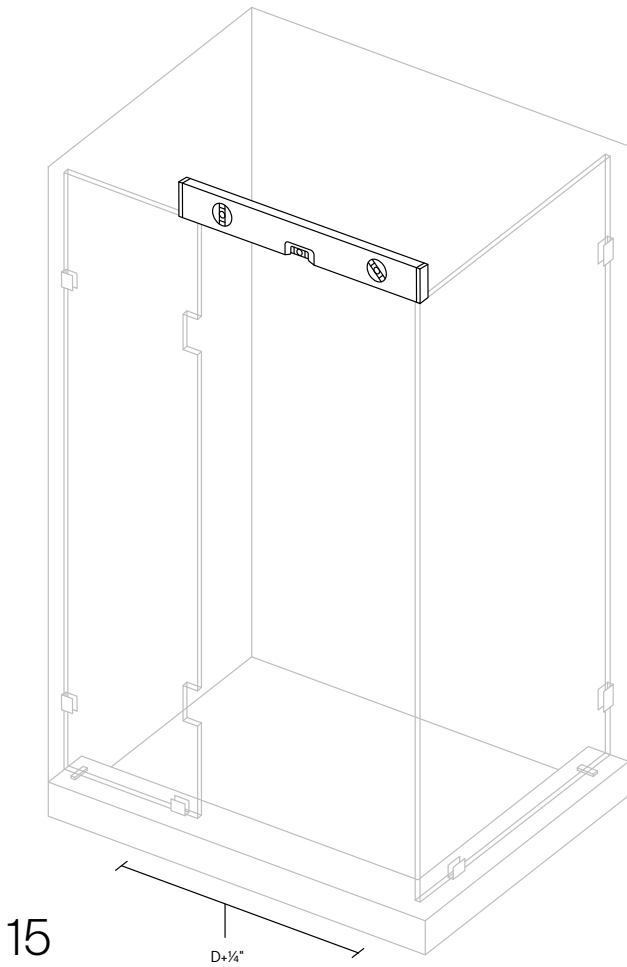
If you are not drilling into the shower base and prefer the Rubber Blocks option for the Hinge Panel instead of using the Bottom Clip, go to Step 15.

Repeating steps 04, 05, 06 and 07:

Drill holes in new locations. Carefully use a hammer to insert anchors, then screw clips in place.

Place the 1/8" rubber block on the floor 3" from the wall. Place the 1/16" rubber block inside the floor clip. Carefully place the hinge panel on the rubber blocks and slot it into the wall clips.

Use a level on the outer-edge to ensure the hinge panel is level and in line.



15

$D + \frac{1}{4}''$

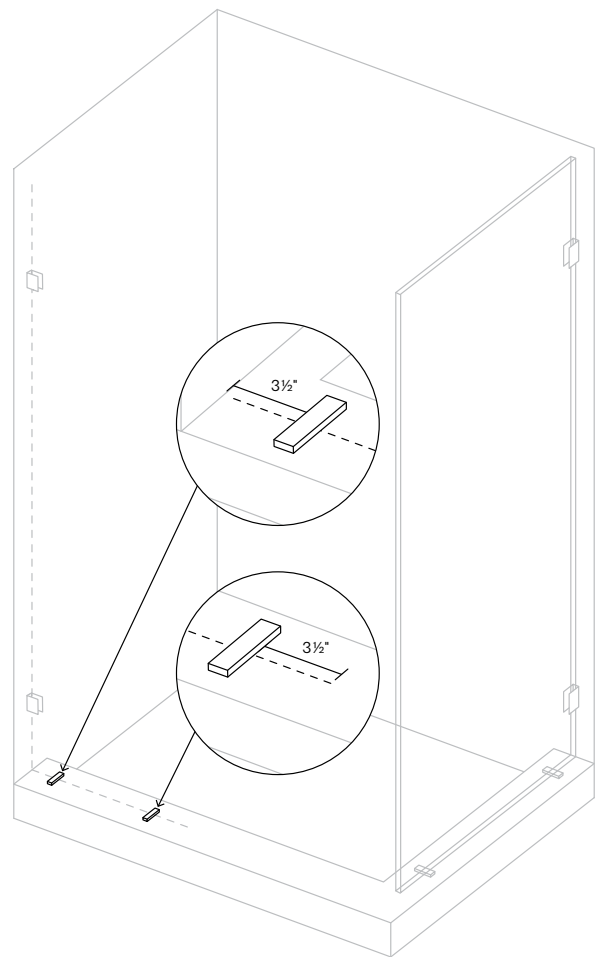
Ensure both panels are level and correctly spaced.

Using a level, check the top of both panels are level and equal height from the floor. If a panel(s) isn't level, use additional rubber blocks to correct it.

Measure the opening between the two panels. This should be $\frac{1}{4}''$ wider than the Door Panel.

Once level and correctly spaced, tighten the clip screws very tight.

Once finished with Step 15, go to Step 18.



16

Measure and place Rubber Blocks.

If you are not drilling into the shower base and prefer the Rubber Blocks option instead of using the Bottom Clip, continue here. Otherwise, proceed to Step 17.

Measure $3\frac{1}{2}''$ from wall and place the first $\frac{1}{8}''$ thick Rubber Block. Take the Hinge Panel width and subtract $3\frac{1}{2}''$ and place the second $\frac{1}{8}''$ thick Rubber Block. The Hinge Panel will rest on the Rubber Blocks.

⚠ WARNING

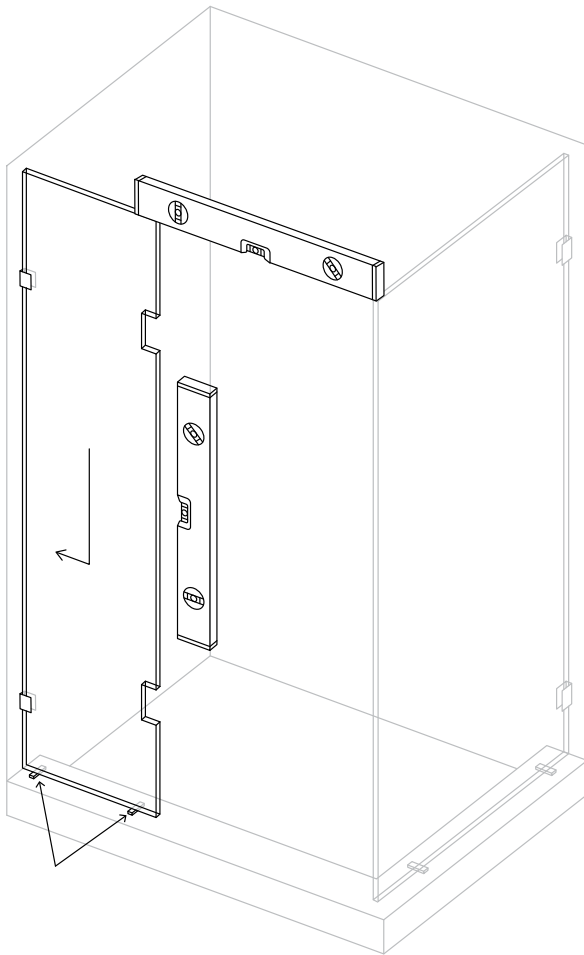
Cardboard Packaging: Always place glass panel on cardboard or other protective surfaces during installation. Failure to use protective surfaces can cause glass to chip, crack, or shatter, creating sharp edges. Improper handling of glass can result in death or serious injury.

⚠ WARNING

Tighten Grub Screws: Tighten grub screws only until they hold the glass panel securely in place. **DO NOT** over-tighten. Excessive pressure can cause glass damage or breakage, resulting in personal injury.

NOTICE

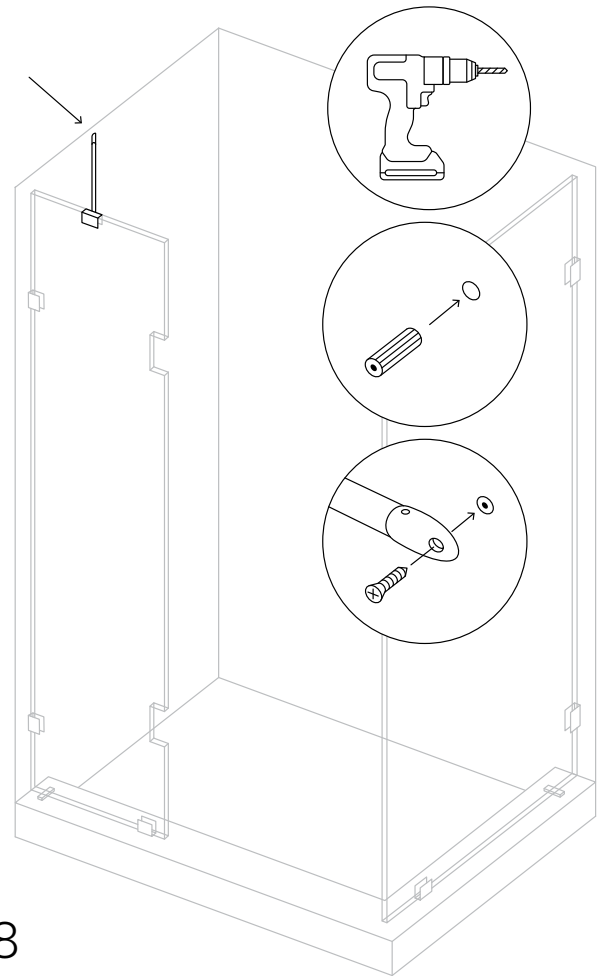
Hinge Panel 45° Rod: If your Hinge Panel is 12" or less, you'll need to shorten the Rod. Remove the end cap, cut to the required length. Then replace the end cap and tighten the bolt.



17

Set the Hinge Panel in place.

Carefully place the Hinge Panel on to the Rubber Blocks. Use a level to make sure the Hinge Panel is level and the top edge is level with the top edge of the Return Panel. Once level, tighten the grub screws very tight.



18

Install the 45° rod. Optional for additional support.

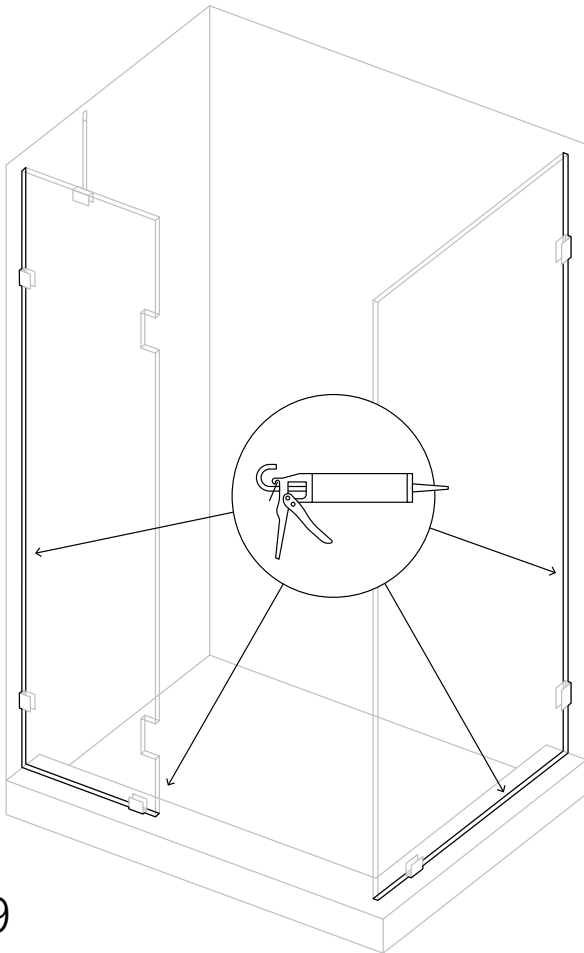
Loosen the allen bolt inside the clip and place on top of the hinge panel. Position the 45° rod so the other end is flush with the wall. Mark position of screws on the wall before removing the rod.

Using a 1/4" tile drill bit, drill the two marked holes on the wall. Then use a hammer to insert wall plugs.

Place the 45° rod back in position and drill wall screws in to secure. Lastly, tighten the allen bolt inside the clip. Repeat for the other panel.

WARNING

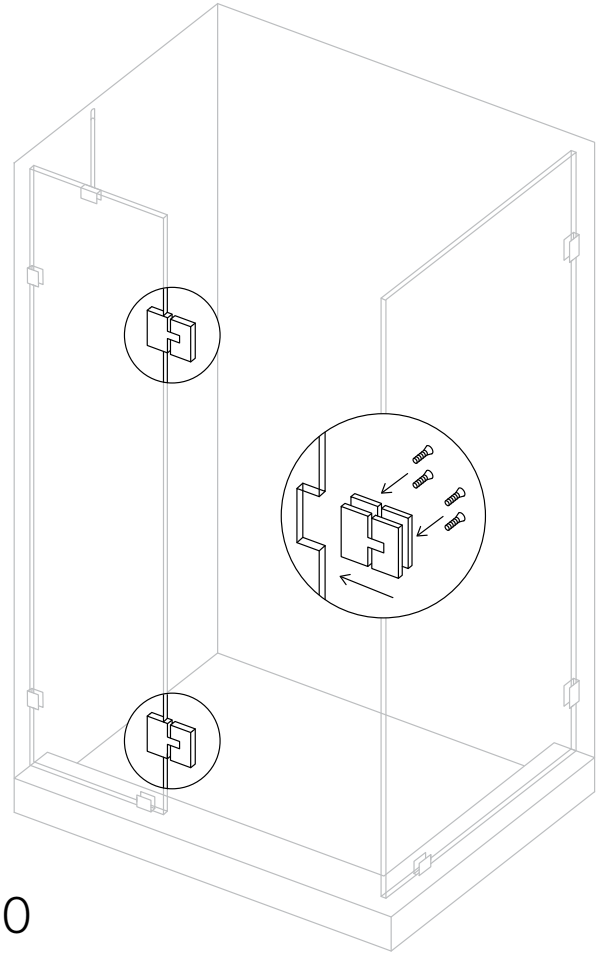
Silicone Must Cure: It is essential the Hinge Panel is siliconed. Silicone must cure for a minimum of 36 hrs before hanging Door Panel. This step **MUST** be followed for the safety, security and integrity of the model. Failure to follow this step as instructed can result in serious injury or death and will void the GW Warranty.



19

Apply silicone to seal both panels.

Trim the rubber blocks with a utility knife so that they are flush with the glass panels resting on top of them. Apply silicone around the wall and floor surface of both panels. You need to silicone both the inside and outside edges ensuring the gap between glass and tile is completely sealed. Once sealed, spray the silicone with water and use a spatula (available in our Install Kit) to remove any silicone residue.



20

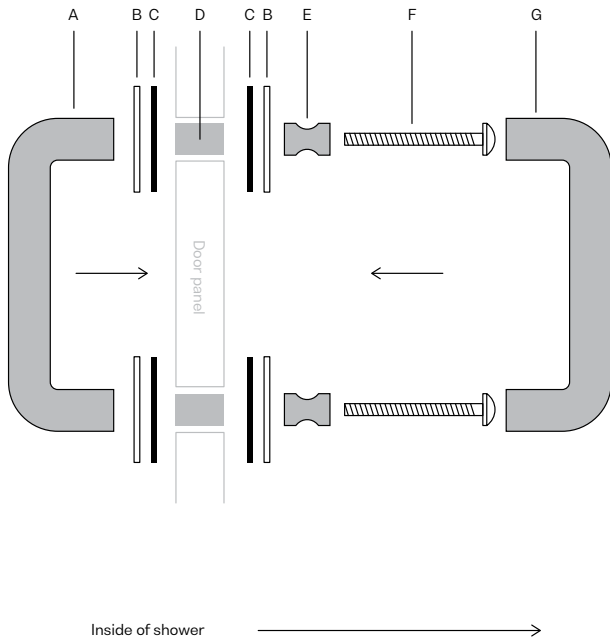
Attach the hinges to the hinge panel.

Slide the solid plate side of the hinge in to the hinge panel cutout, ensuring the screws face into the shower. Lightly tighten screws.

Remove the backing plates from the hinges where the door will attach.

WARNING

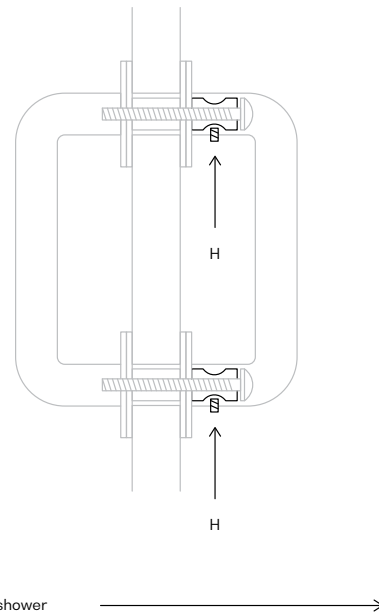
Attach Door Handle: Attach the door handle before lifting the glass. Without a secure grip, the panel can slip or fall, causing glass breakage, severe cuts, or death or serious injury.



21

Attach the door handle to the door panel.

Place the plastic washers (D) in the door handle holes. Then attach the handle as illustrated above.



22

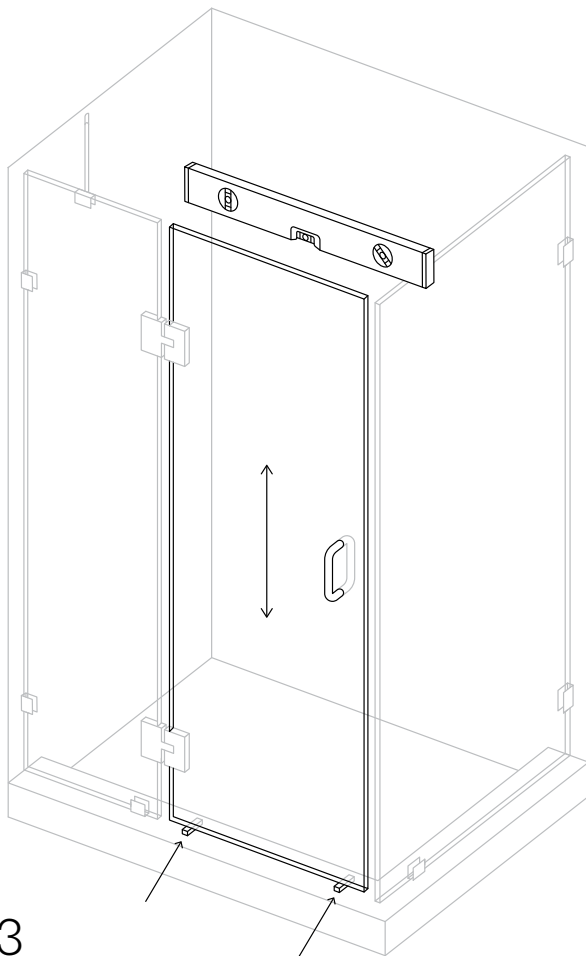
- | | |
|--------------------------------|--------------------------|
| A Exterior handle | E Brass Grommet |
| B Metal finished washer | F Screw |
| C Vinyl washer | G Internal handle |
| D Plastic washer | H Allen Screw |

WARNING

Cardboard Packaging: Always place glass panel on cardboard or other protective surfaces during installation. Failure to use protective surfaces can cause glass to chip, crack, or shatter, creating sharp edges. Improper handling of glass can result in death or serious injury.

NOTICE

Door Panel: The Door Panel is $\frac{1}{4}$ inch shorter than the Fixed Panel to allow for swing and to install door sweep.



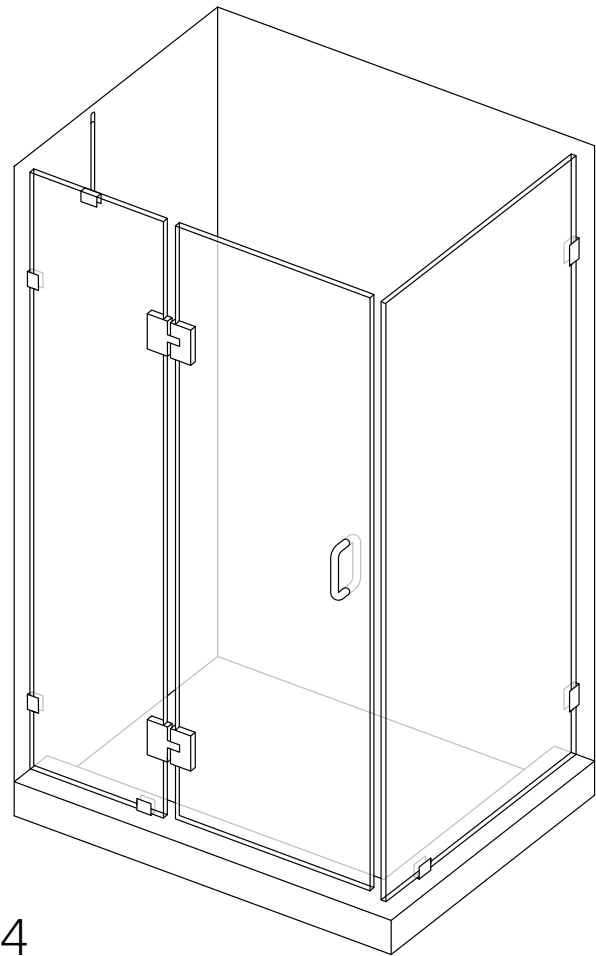
23

Set the Door Panel in place.

Place two of the $\frac{3}{8}$ " rubber blocks on the floor between the Hinge and Return panels – 2" from each panel.

Standing inside the shower, carefully place the door panel on the blocks and line up the cutouts with the back of the hinges. Check that the top of all three panels are level. Next, check that vertical gap on either side of the door is even.

Note: The door panel is $\frac{1}{4}$ " shorter than the hinge panel to allow for swing and door seal.



24

Tighten hinge screws and you're done.

Put the backing plates on hinges and tighten all four screws on both hinges.

Ensure the screws are very tight and supporting the door's weight. Then carefully remove the rubber blocks and open the door to ensure it's not binding anywhere.

Attached the door sweep to the base of the door to prevent water leakage from the shower.



Featured Model: Leia

GLASSWAREHOUSE
GLASSWAREHOUSE.US



Reflect on a New Look

Explore our complete range of accent mirrors to compliment your new shower. Choose from many different styles, finishes, and options to give your bathroom that extra bit of style.

Thank you for your purchase.

If for any reason you are having trouble with installation, or if the size of the product does not fit your designated space, please contact Glass Warehouse directly and do not return this product to place of purchase. We will be able to exchange the panels or parts to suit your opening.

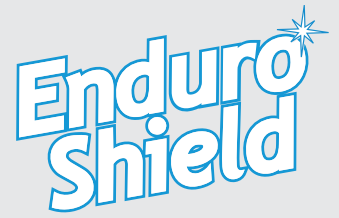
Glass Warehouse takes pride in providing quality products and customer service. We want to ensure your happiness with your purchase for years to come. We have an extensive range of sizes, so no matter what your measurements are, Glass Warehouse can supply the panel to fit!

If you have any questions, please do not hesitate to reach out to us. Thank you again for choosing Glass Warehouse!

Best Regards,

The Team at Glass Warehouse
Glass Warehouse, LLC
(760) 536 3640
inquiries@glasswarehouse.us

Care & Maintenance



EnduroShield makes cleaning easier and less frequent; however it is recommended that you continue to clean the surfaces regularly.

Maintaining the Treated Surface

For best results simply drying the glass with a squeegee or towel after each use will help keep the glass clean and reduce mineral spots forming. The glass needs to be cleaned every few weeks using a damp microfiber cloth and a mild detergent to break down soaps, oils, and conditioners on the glass. General glass cleaners are also suitable, however most of these are finishing agents rather than cleaners, and are an added expense that is not required.

Hard Water Maintenance

In hard water areas, or areas where water drops dry and leave a noticeable dust mark, a build of minerals may occur on the protective treatment. While these may not be removed as easily with the mild detergent, mild acids will often remove the marks quickly. As needed white vinegar should be used to wipe down the glass. Keep in mind the vinegar may be diluted with water, however dilution reduces the effectiveness.

Spray vinegar onto the glass and allow to soak for several minutes. This should dissolve any mineral deposits that have built up on the glass surface. A damp microfiber cloth should then be used to wipe over the surface. For extreme hard water areas we recommended using undiluted vinegar every week or so as a cleaning option to reduce this build up on the surface, rather than allowing the build up to continue over a long period of time.

Caution: Prohibited Products *Note these may damage the treatment and void any warranty

- Avoid the use of any abrasives or polishes including water spot removers, toothpaste, polishes, rough, or gritty substances
- Avoid the use of acids or alkalis that you would not want in contact with your skin for an extended period of time
- Avoid products such as Comet, Ajax, Jiff or Cerium Oxide which polish back the actual substrate
- Avoid the use of any harsh or chemical cleaners, with correct maintenance these are never required

Approved Cleaning Products

The below products have been tested for compatibility with EnduroShield, however there are no specific products that must be used. We feel you should not be required to purchase extra products in order to keep your glass clean. With correct maintenance, all you need for clean glass beyond 10 years is a squeegee, a mild liquid dish soap, and white vinegar.

Any product that does not fall into the prohibited categories listed above will be fine, and below is a short list of acceptable products:

- Windex
- SprayWay (or other alcohol based foaming cleaners)
- Scrubbing Bubbles (or other automatic leave-to-dry daily shower cleaners)
- 7th Generation, Dawn (or other mild eco friendly cleaners)
- CLR (Calcium Lime Rust)
- Mr. Clean Magic Eraser (when damp)

It should be noted that with any cleaner used on the EnduroShield surface a thorough rinse with clean water should follow immediately. Although these cleaners can be used, EnduroShield is designed to be an 'easy clean coating' that does not require harsh or toxic cleaning chemicals to maintain the surface effectively.

If for any reason the recommended maintenance has not been followed for some time, just as it took time for the build up to occur, it will take time to remove the debris from the protected glass surface. This can most commonly be achieved using undiluted white vinegar dampened on a Magic Eraser, or CLR on a Magic Eraser. Depending on the severity of the build up this may take multiple attempts, but once the glass is clean again it will perform like new. Should you have any queries regarding the cleaning of your treated surfaces please contact EnduroShield.

tel: 805 617 4609
email: salesusa@enduroshield.com
www.enduroshield.com

Exclusive Limited Warranty Terms & Conditions.

This Limited Lifetime Warranty ("Warranty") is effective as of DECEMBER 6, 2024

PLEASE READ THE WARRANTY TERMS AND CONDITIONS BEFORE PURCHASING AND BEFORE INSTALLING OR RESELLING YOUR GLASS WAREHOUSE PRODUCT. BY PURCHASE, INSTALLING, AND OR RESELLING THE GLASS WAREHOUSE PRODUCT, YOU ARE CONSENTING TO BE BOUND BY THE FOLLOWING TERMS AND CONDITIONS.

Glass Warehouse, LLC ("Seller") provides this Warranty to the business or individual ("Buyer") who purchases a Glass Warehouse product ("Product") directly from Seller or from an authorized reseller, including without limitation, shower kits, railing hardware, medicine cabinets, and mirrors. If Buyer is a licensed and fully insured professional and Buyer installs the Product in the residence of one of Buyer's customers ("Customer"), Buyer may pass this Warranty through to such Customer. In each case, this Warranty shall extend only to the original Buyer or Customer at the time of installation and shall expire if the original Buyer or Customer no longer owns or occupies the residence at which the Product is first installed. This Warranty will not apply to any subsequent owners or occupants of the residence. "Products" do not include, and this Warranty specifically excludes: (i) any products sold by Glass Warehouse under brand names other than Glass Warehouse; (ii) any third-party products distributed or sold by Glass Warehouse that are not incorporated into a Glass Warehouse Product.

Limited Lifetime Warranty for Glass

With respect to any glass components of the Product, Seller warrants to Buyer that for the lifetime of the Product ("Glass Warranty Period"), that such components (excluding seals) will materially conform to Seller's published specifications and will be free from material defects in material and workmanship. With respect to any Product used in commercial, industrial, or non-residential uses, including without limitation hotels, casinos, and apartments, the Glass Warranty Period is one (1) year. For mirrors, including medicine cabinets with mirrors, the Glass Warranty Period is one (1) year. For glass railings, the Glass Warranty Period is three (3) years. The Glass Warranty Period with respect to the outer coating of any glass component, such as an Enduroshield coating, is five (5) years.

Limited 5-Year Warranty for Hardware

With respect to any hardware components of the Product, Seller warrants to Buyer that for a period of five (5) years from the date of Buyer's purchase of the Product ("Hardware Warranty Period"), that such components (excluding seals) will materially conform to Seller's published specifications and will be free from material defects in material and workmanship. With respect to any

Product used in commercial, industrial, or non-residential uses, including without limitation hotels, casinos, and apartments, the Hardware Warranty Period is one (1) year. For mirrors, including medicine cabinets with mirrors, the Hardware Warranty Period is one (1) year. For railings, the Hardware Warranty Period is one (1) year. The Glass Warranty Period and Hardware Warranty Period are referred to together as the "Warranty Period."

While stainless steel is resistant to corrosion, it is not corrosion or rust-proof. Environmental conditions including, but not limited to, exposure to chemicals, salt air, pollution, and high humidity may cause surface discoloration or rust. Regular cleaning and maintenance is required to maintain the appearance and integrity of stainless steel products. Seller makes no warranty against and shall not be liable for any claims related to surface rust, discoloration, or corrosion of stainless steel components.

Warranty Terms and Conditions

This Warranty shall be voided if the Product (i) has been subjected to abuse, misuse, neglect, negligence, accident, improper testing, improper installation, improper cleaning (such as use of abrasive cleaners), improper storage, improper handling, abnormal physical stress, abnormal environmental conditions, or use or installation contrary to any instructions or guidelines issued by Seller; (ii) has been altered, repaired, or reconstructed by anyone other than Seller; (iii) was installed by anyone other than a fully insured and licensed professional; (iv) was not installed according to Glass Warehouse's published installation instructions or guidelines; (v) is installed or used outside of the US or Canada; or (vi) has been used with any third-party hardware or product that has not been previously approved in writing by Seller. This Warranty shall not apply to normal wear and tear. With respect to Products advertised by Glass Warehouse for outdoor use, this Warranty specifically excludes damage caused by extreme weather events.

WARNING: INSTALLATION OF GLASS PRODUCTS (I.E., SHOWER AND TUB DOORS) BY AN UNLICENSED OR INEXPERIENCED INSTALLER MAY RESULT IN GLASS BREAKAGE, DAMAGE TO PROPERTY, SERIOUS INJURY OR DEATH.

Neither Buyer, nor any other person is permitted to make any affirmation, representation, or warranty other than those contained in this Warranty. Any affirmation, representation, or warranty other than those contained in this Warranty shall not be enforceable against Seller or any other person. Seller reserves the right to modify this Warranty at any time, it being understood that such modifications will not alter the terms and conditions applicable at the time of sale of the products in question.

Please register your information to activate your warranty.
<https://www.glasswarehouse.us/warranty/>

Claims Process and Remedies:

All Warranty claims are subject to review and confirmation by Seller, and Seller reserves the right to inspect the installation to confirm the validity of the Warranty claim. To submit a Warranty claim, Buyer must:

1. Contact Seller's customer service department within 30 days of discovering the defect. Contact information:
Phone: +1 (760) 536-3640
Email: inquiries@glasswarehouse.us
<https://www.glasswarehouse.us/warranty/>.
2. Provide the following required documentation: (a) proof of purchase; (b) detailed description of the defect, including photographs; (c) item part number.
3. A customer service representative will review the claim and may request additional information or schedule an inspection of the Product and/or installation. Buyer must cooperate fully with any requests for information or inspection.

Seller shall have no obligation to honor any Warranty claim that does not comply with the above claims process. If a Warranty claim is approved, Seller shall, in its sole discretion, either: (i) repair or replace such Product (or the defective part), in which case Seller shall cover shipping of the repair parts or replacement product; or (ii) refund the price paid by Buyer to Seller for such Product. Replacement parts and products will be covered by this Warranty for the remainder of the Warranty Period of the original Product. Seller may require that the Product be returned to Seller, at Seller's expense. Except for any repairs made by Seller or its representatives as set forth above, Seller shall not pay for labor related to the Warranty claim, such as removal of the defective Product or installation of a replacement product. Seller's warranty obligation shall be discharged upon tender of parts, replacement or repair of the Product. Buyer's refusal to accept the tender terminates all warranty obligations and **VOIDS THIS WARRANTY.**

THE REMEDIES SET FORTH ABOVE SHALL BE BUYER'S SOLE AND EXCLUSIVE REMEDY AND SELLER'S ENTIRE LIABILITY FOR ANY BREACH OF THIS WARRANTY.

Disclaimer and Limitation of Liability:

EXCEPT FOR THE PRECEDING WARRANTY, SELLER MAKES NO WARRANTY TO BUYER WHATSOEVER WITH RESPECT TO THE PRODUCTS AND HEREBY DISCLAIMS ALL OTHER WARRANTIES, INCLUDING ANY (I) WARRANTY

OF MERCHANTABILITY; (II) WARRANTY OF FITNESS FOR A PARTICULAR PURPOSE; OR (III) WARRANTY AGAINST INFRINGEMENT OF INTELLECTUAL PROPERTY RIGHTS OF A THIRD PARTY; WHETHER EXPRESS OR IMPLIED BY LAW, COURSE OF DEALING, COURSE OF PERFORMANCE, USAGE OF TRADE OR OTHERWISE.

SELLER DISCLAIMS AND SHALL NOT BE LIABLE FOR ANY PERSONAL INJURIES OR DEATH TO ANY PERSON, INCIDENTAL DAMAGES, CONSEQUENTIAL DAMAGES, LOSS OF PROFITS, LOSS OF USE, LABOR OR MATERIAL CHARGES, OR ANY OTHER COSTS RELATING TO THE USE OR INABILITY TO USE THE PRODUCT OR REPLACEMENT PRODUCT OR RELATING TO THE APPLICATION OF THIS WARRANTY. IN NO EVENT SHALL SELLER'S AGGREGATE LIABILITY EXCEED THE PURCHASE PRICE OF THE PRODUCT.

SOME STATES LIMIT A MANUFACTURER'S ABILITY TO DISCLAIM CERTAIN WARRANTIES OR LIABILITIES AND THEREFORE SOME OF THE ABOVE DISCLAIMERS OR LIMITATIONS OF LIABILITY MAY NOT APPLY TO YOU.

Warranty Service

To activate your limited lifetime warranty, please visit:
<https://www.glasswarehouse.us/warranty/>



Please register your information within 30 days of purchase to complete the activation of your warranty.

Contact Technical Support:

**Monday – Friday 8am – 5pm PST
Technical Support: +1 (760) 536-3640**

GLASSWAREHOUSE

Register Your Warranty Today!

To activate your limited lifetime warranty, please visit:
<https://www.glasswarehouse.us/warranty/>



We will require this information within 30 days of purchase to complete the activation of your warranty.