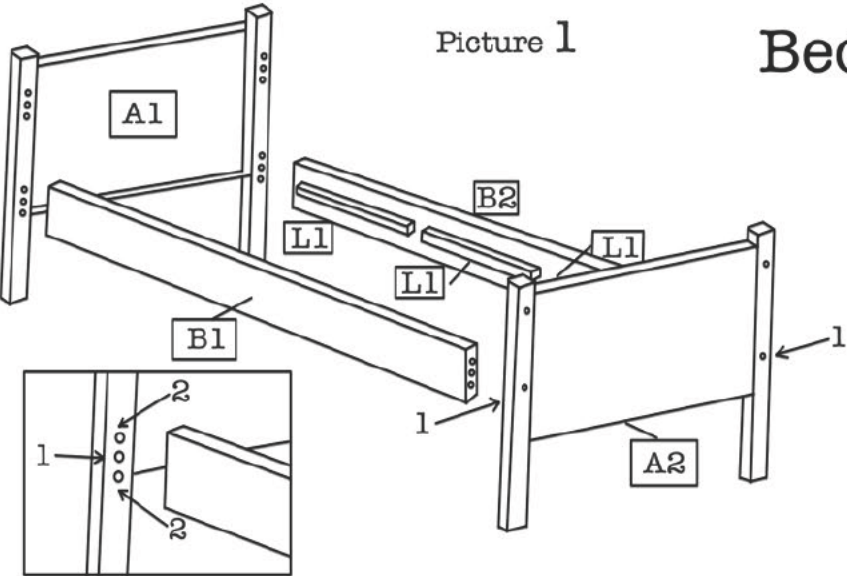


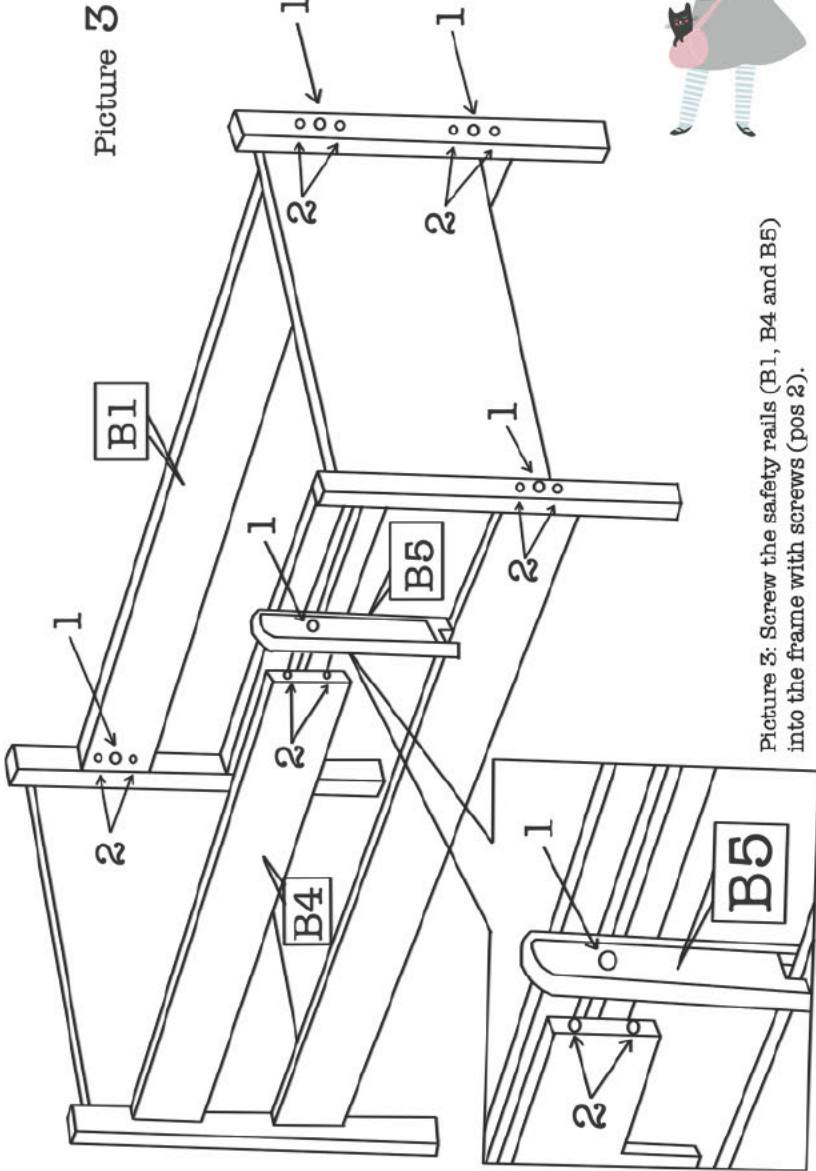
Bed Assembly guide



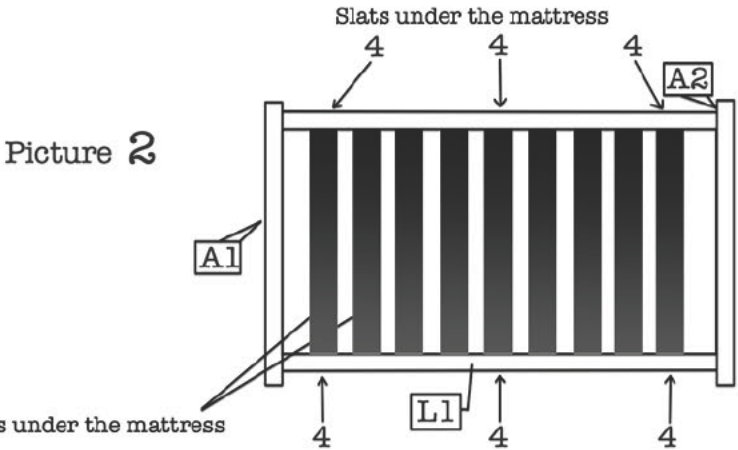
Nordville



1. Picture 1: Start the assembly with screwing together the bed frame parts – the foot-board (A1), the headboard (A2) and the side rails (B1 and B2). First, place the wooden pins in the top and bottom holes (4) in the side rails. Leave the middle hole empty. Then, put the cross nut bolts in the holes provided (03) in order to join the headboard (A2) and the foot-board (A1) with the side rails (B1 and B2) using screws (pos 2).



Picture 3: Screw the safety rails (B1, B4 and B5) into the frame with screws (pos 2).



1. Picture 2: Bottom bed slats: When the bed frame is ready, screw the slats into the wooden ledge (L1) with screws (pos 5).

