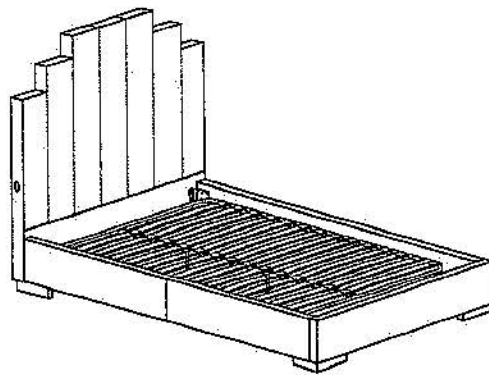
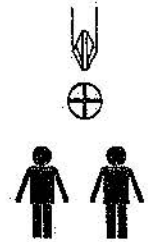


ASSEMBLY INSTRUCTIONS

Bed - Queen



Tools Needed
2 person build



BED FITTINGS

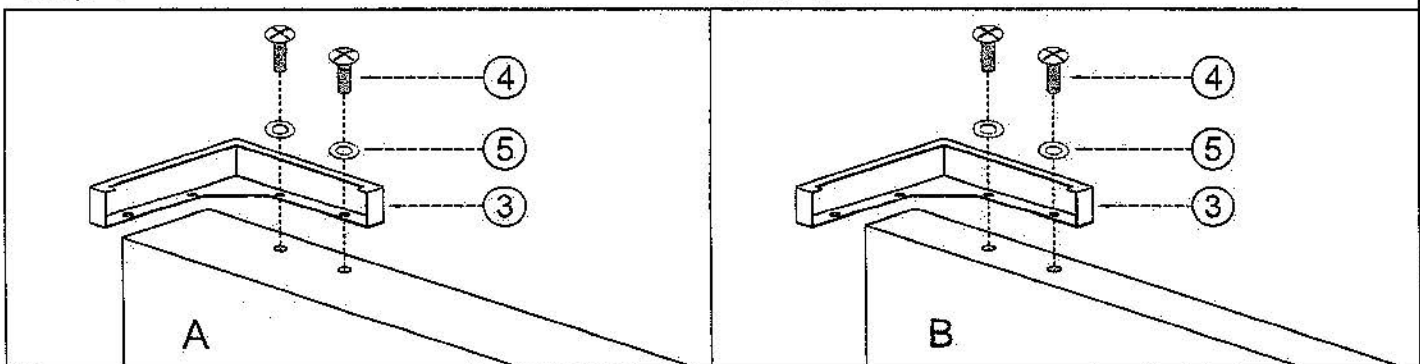
Gold Bolts (m8*18)	Allen key (m5)	Feet	Bolts (m8*25)
① X 12	② X 1	③ X 4	④ X 18
Washers (m8)	Felt Pads	Brackets	Plastic Support legs
⑤ X 10	⑥ X 4	⑦ X 4	⑧ X 2

PART LIST

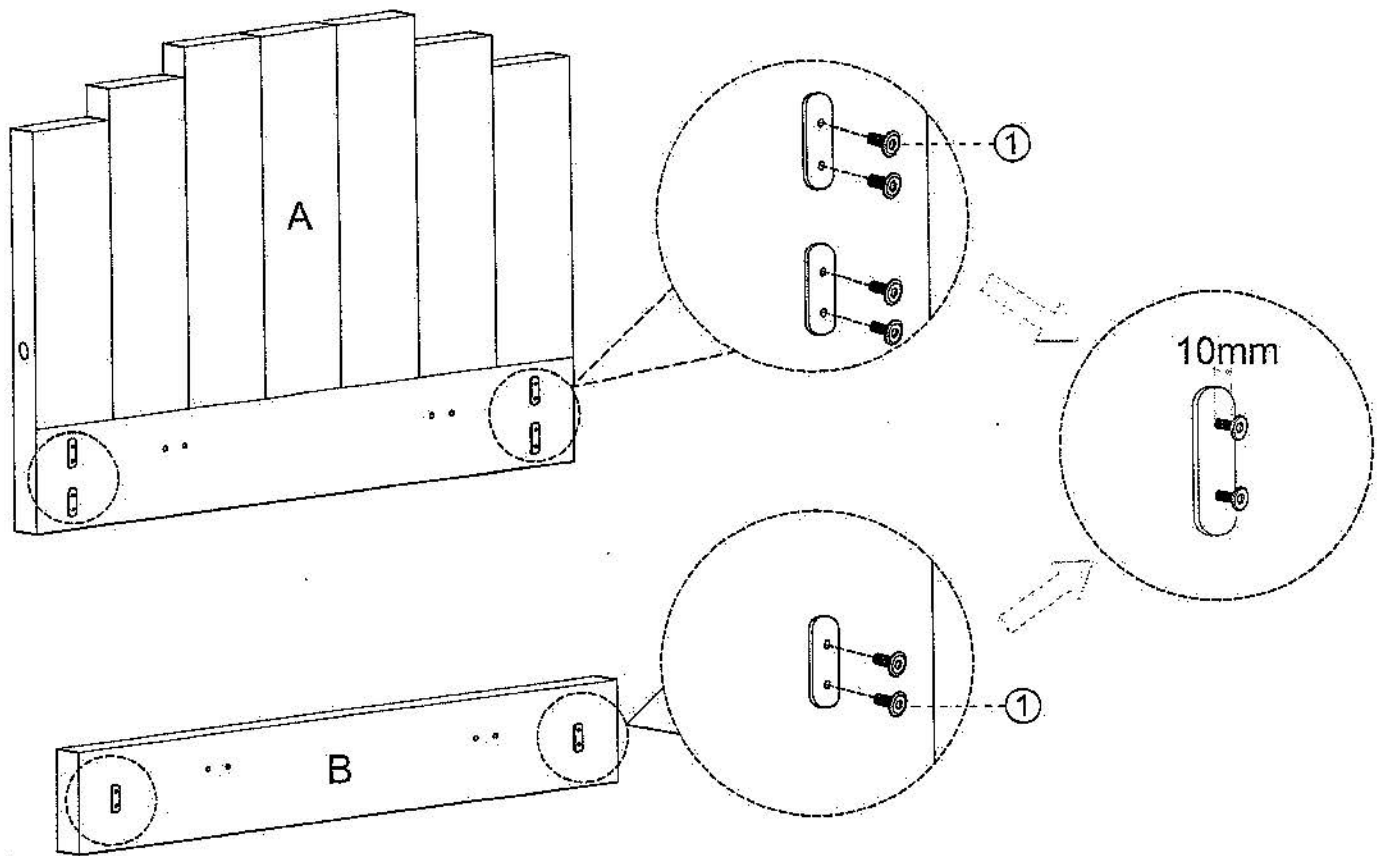
Headboard	Footboard	Right Side Rail
A X 1	B X 1	C X 1
Left Side Rail	Slat Frame	
D X 1	E X 1	

Step 1

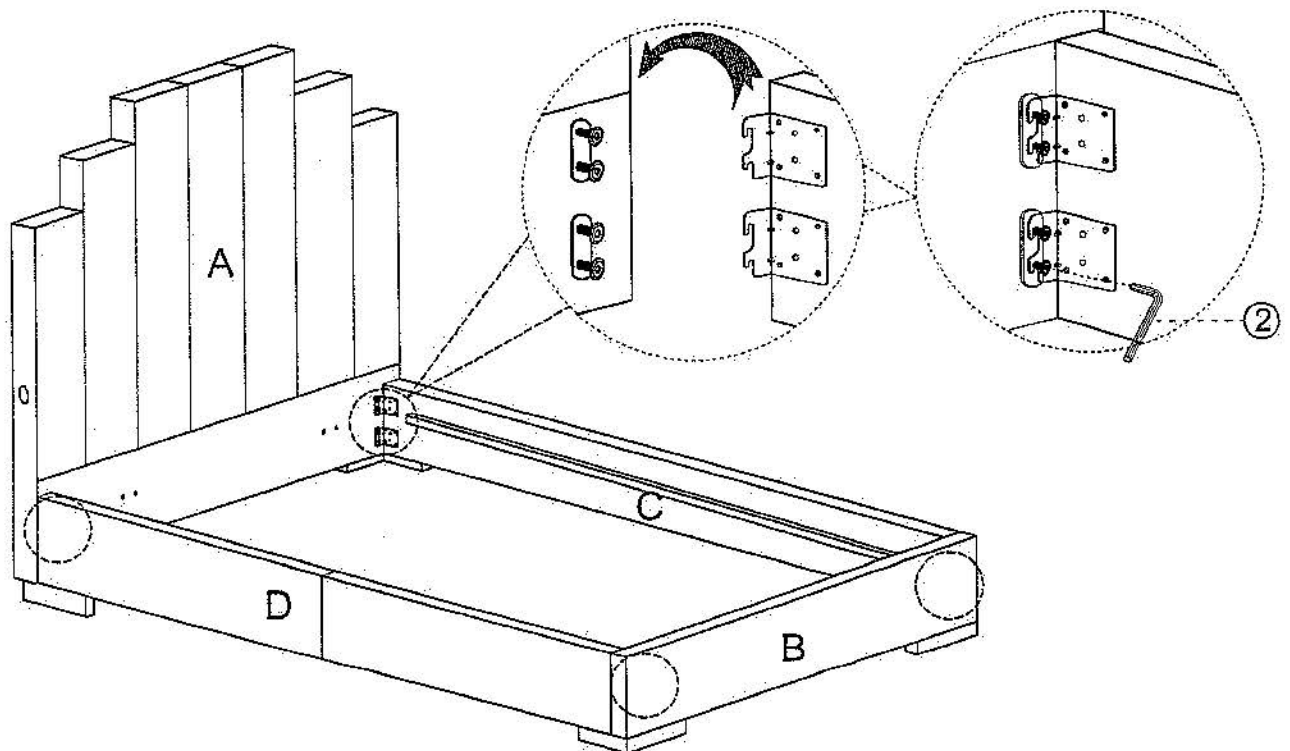
Step 2



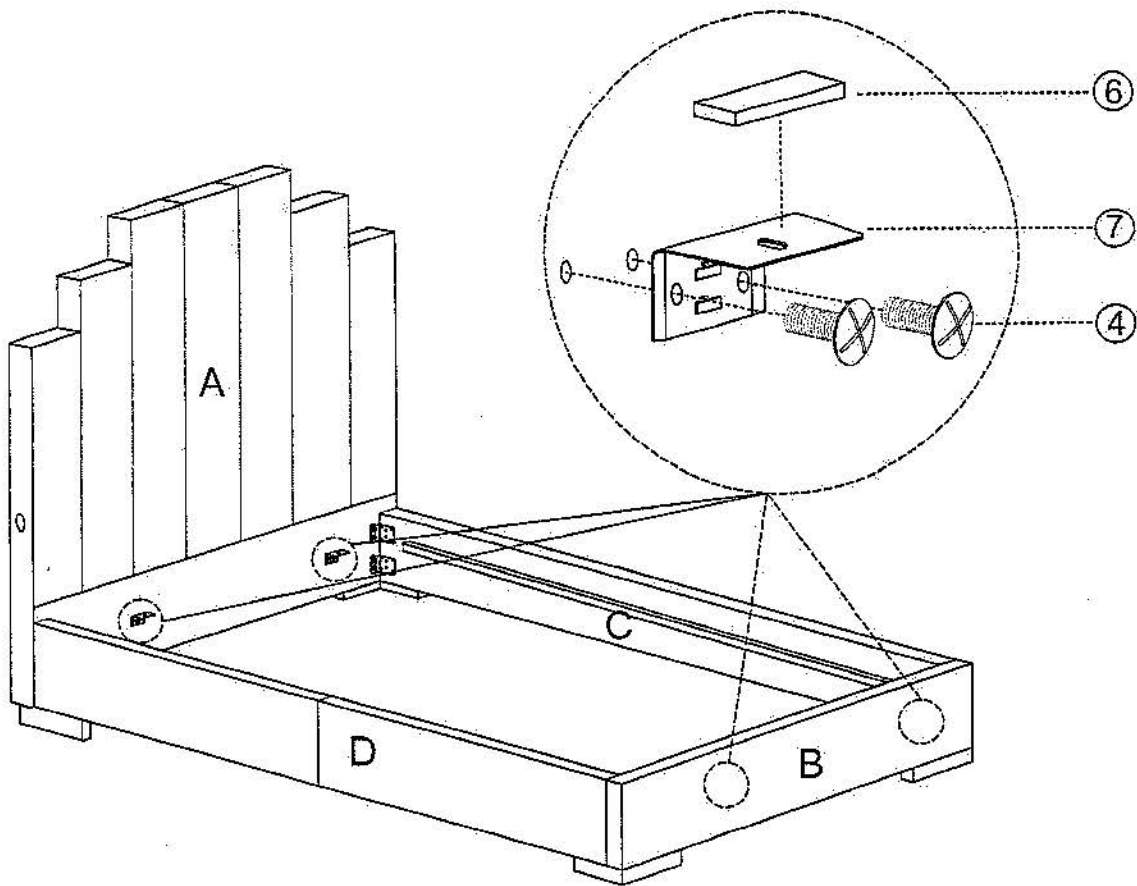
Step 3



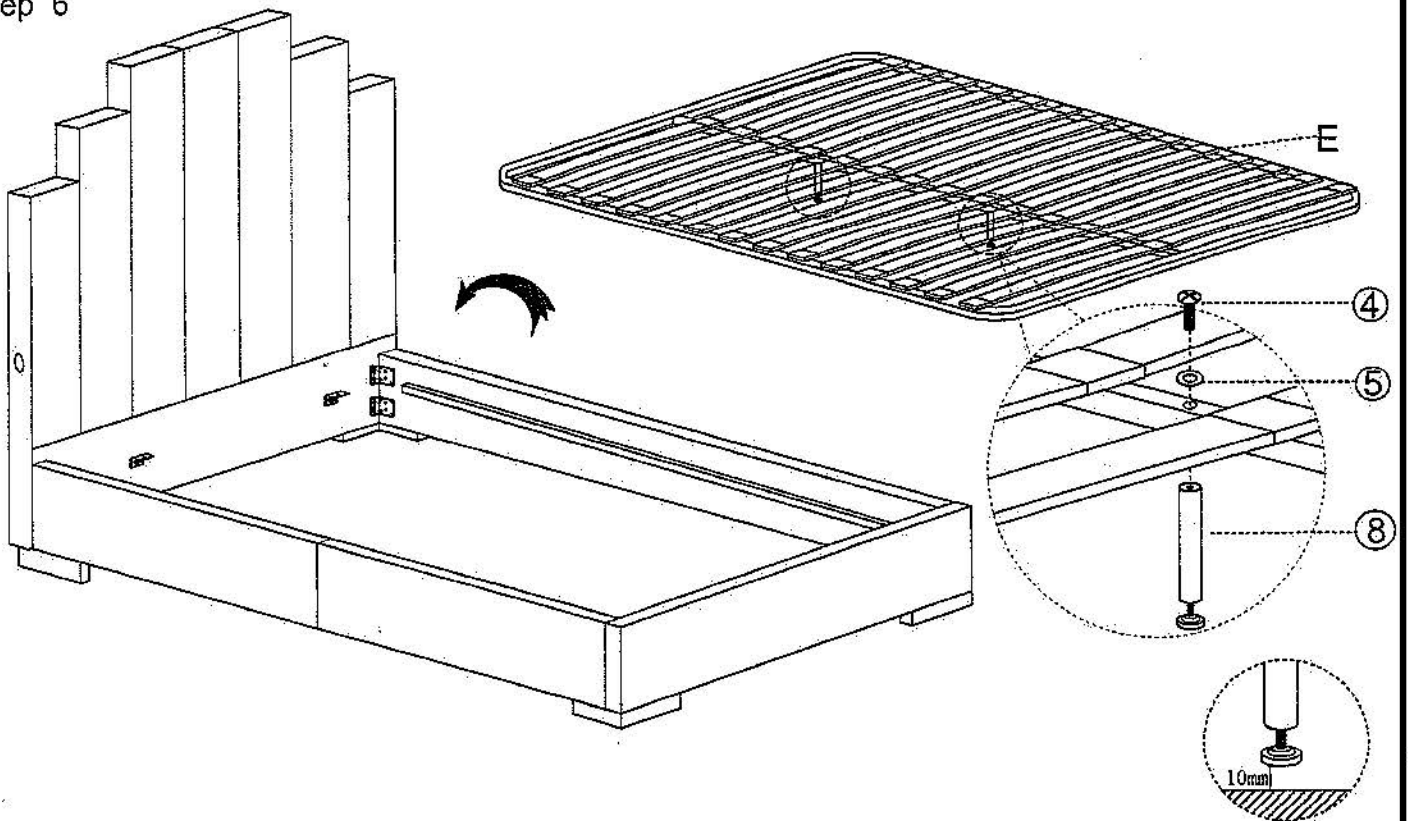
Step 4



Step 5



Step 6



REMARK : ONCE BED IS ASSEMBLED, **DO NOT** SIT, STAND OR APPLY WEIGHT DIRECTLY TO SLATS UNLESS MATTRESS IS IN PLACE.