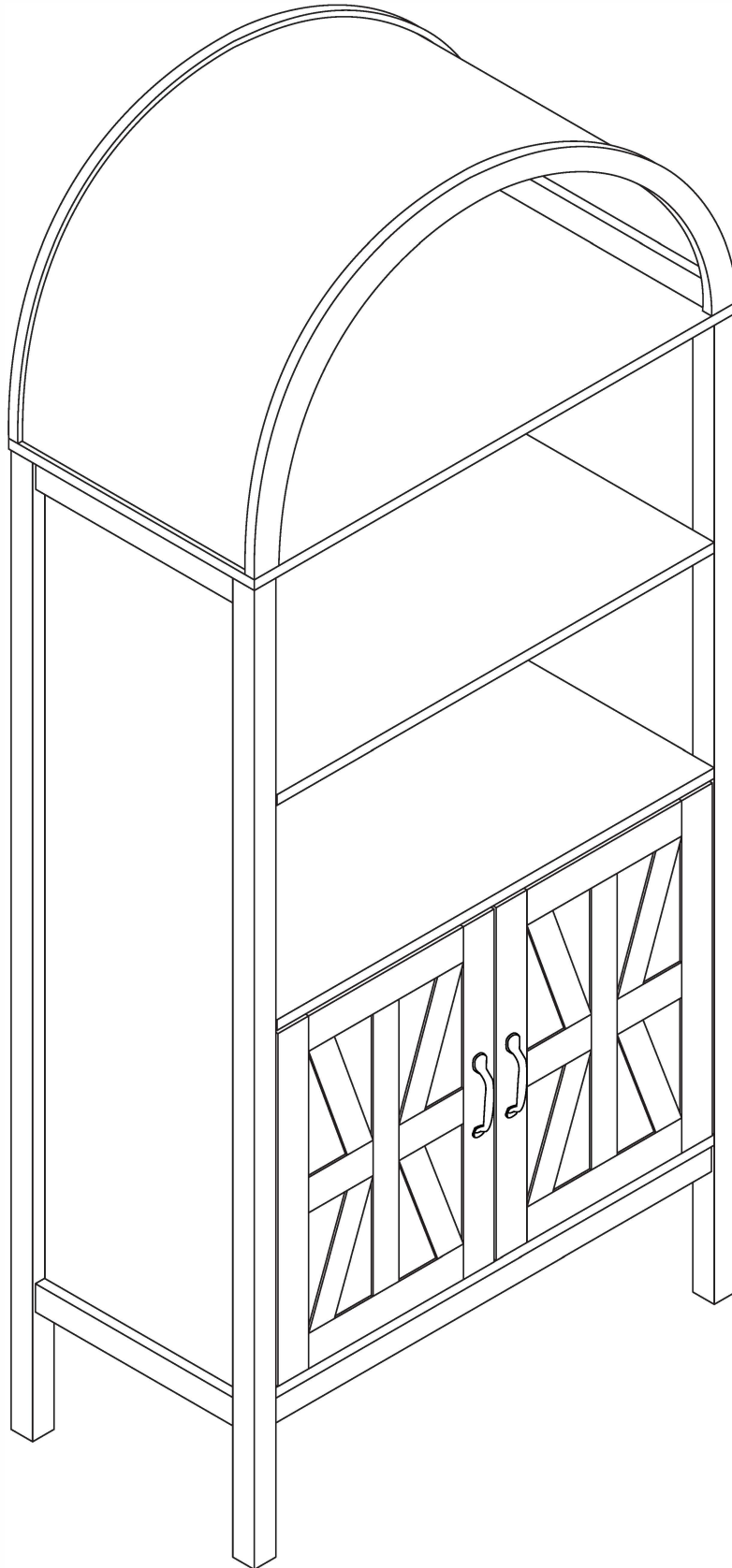


Owner Manual



INTRODUCTION

Thank you for choosing the STORAGE CABINET. Please read this user manual carefully and keep it for future reference. If you need any assistance, please contact us by email with your order number and details.

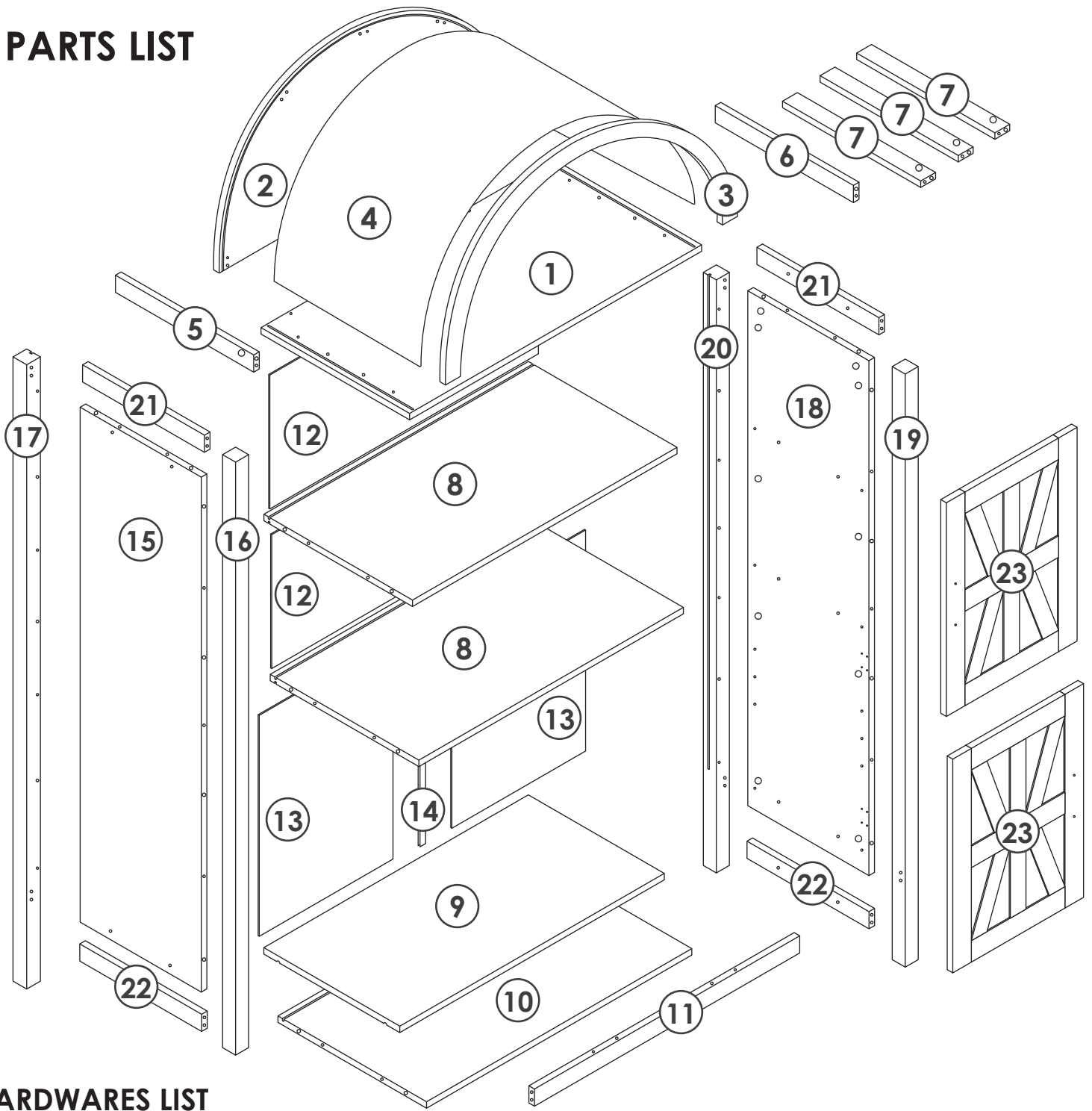
PACKAGE CONTENTS

- STORAGE CABINET
- Pack of Accessories
- User Manual









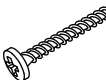




PRODUCT CARE

- Please follow the instruction to assemble this item correctly.
- Don't make the screws be too loose or too tight.
- Please put the screws into the holes' position just as shown in the arrows of the image, and then clockwise rotate 90° or 180°
- The fittings pack contains small accessories that should be kept away from small children.

PARTS LIST



HARDWARES LIST

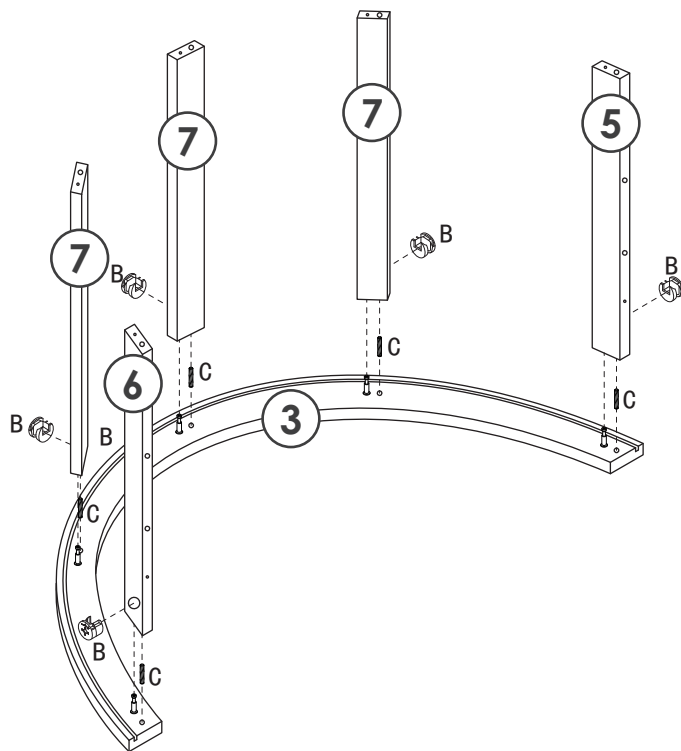
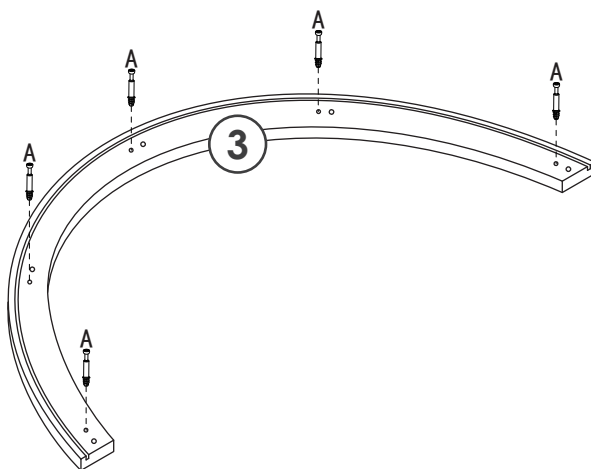
A 6×35mm  ×37	B 15×10mm  ×37	C 6×30mm  ×66	D 4×35mm  ×12	E 4×12mm  ×24	F 4×18mm  ×4
G  ×2	H  ×20	I 3×14mm  ×12	J 4×35mm  ×2	K  ×4	L  ×4
M  ×12	N 6×20mm  ×8				

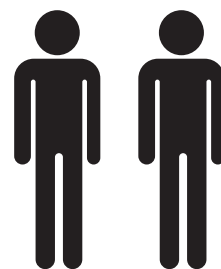
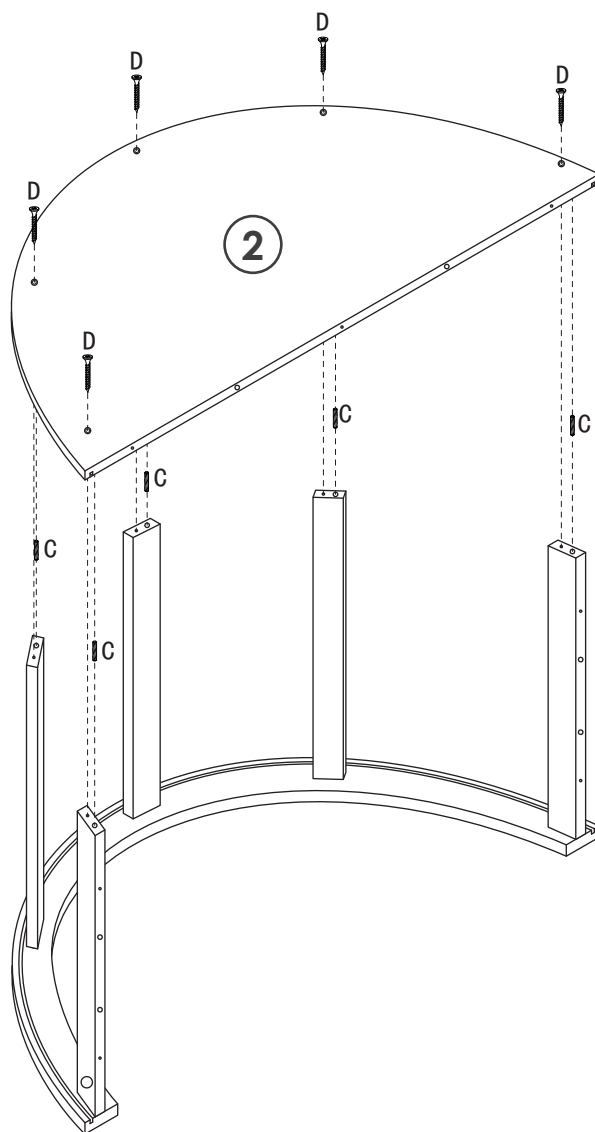
YOU WILL NEED

A x5

B x5

C x5



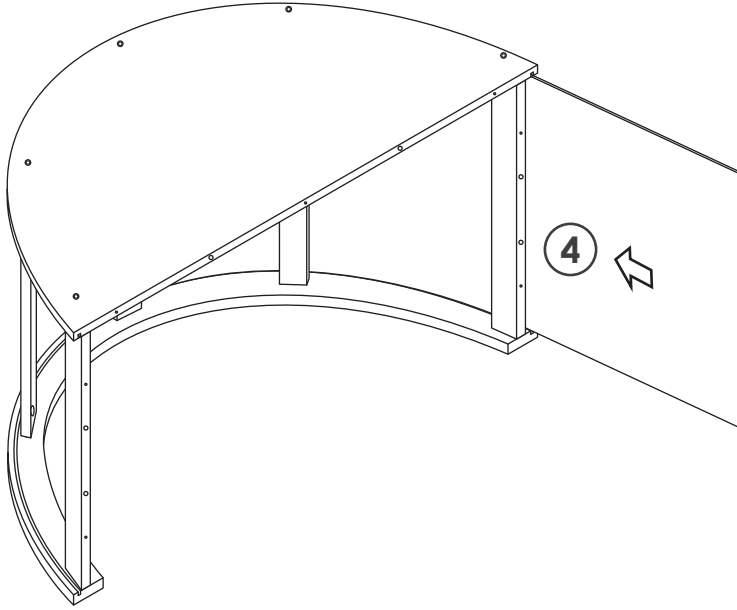


NOTE: This step to be accomplished by two persons

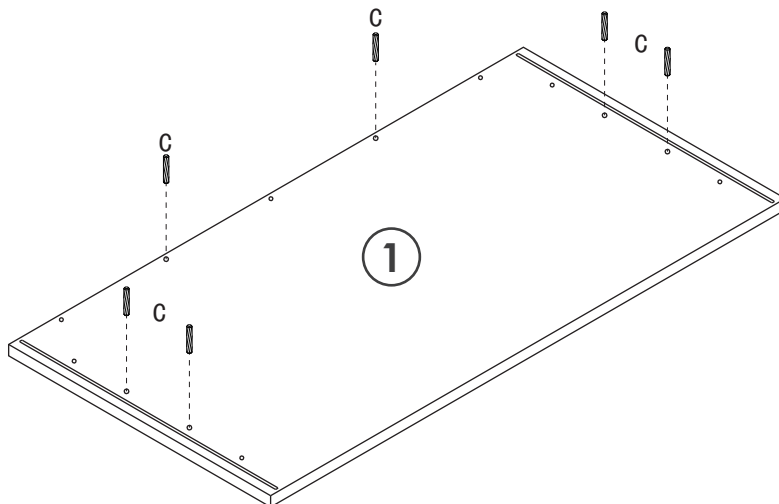
3

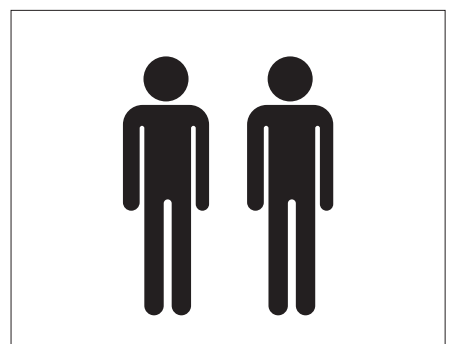
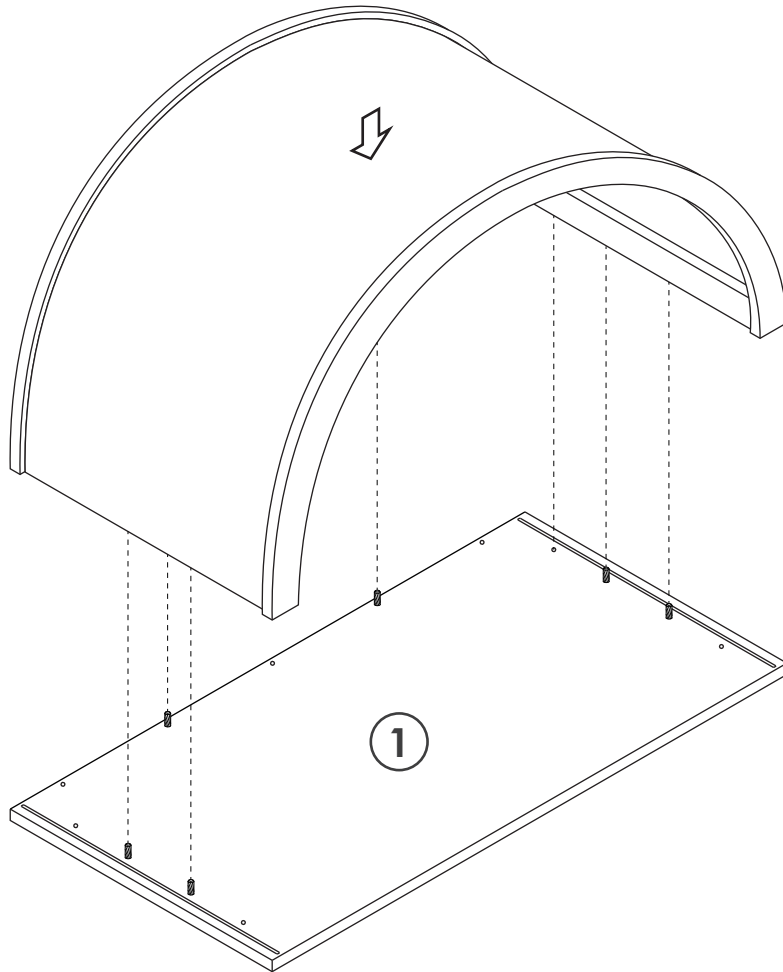
YOU WILL NEED

C x6



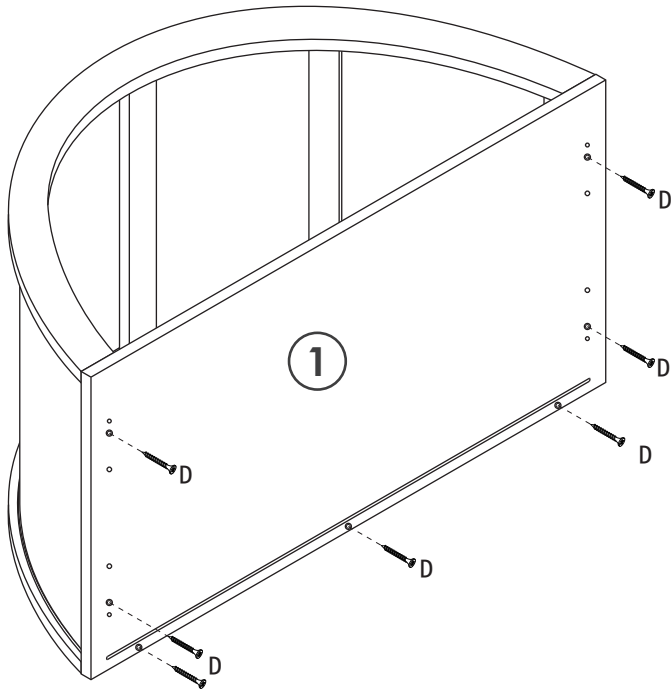
NOTE: This step to be accomplished by two persons

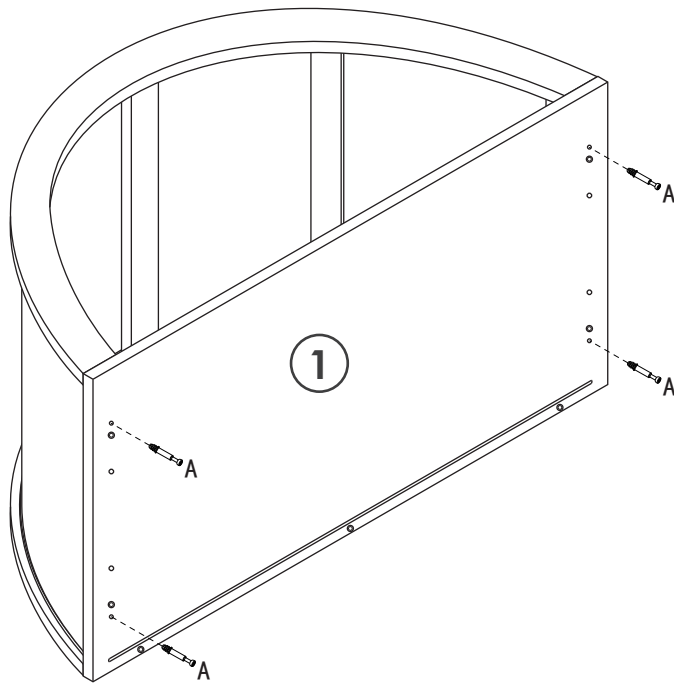


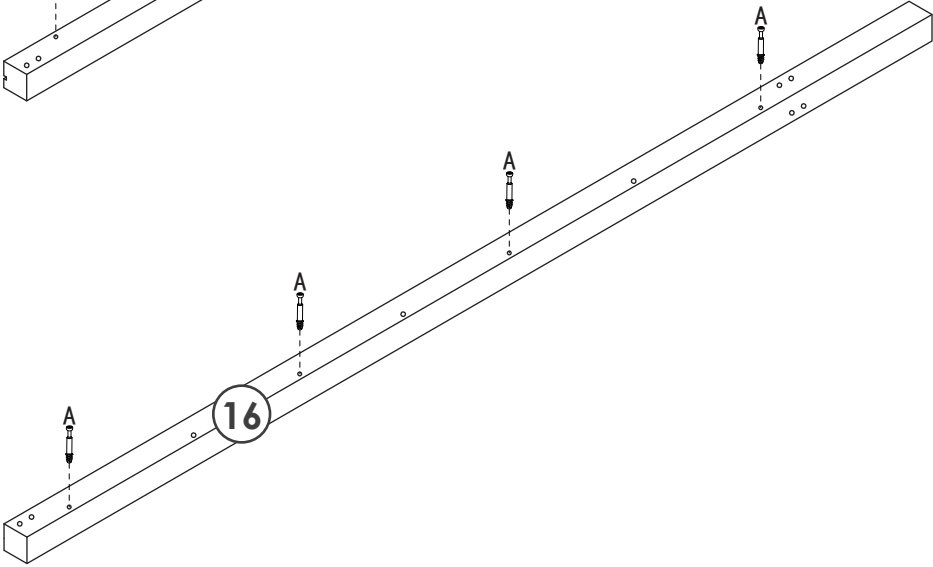
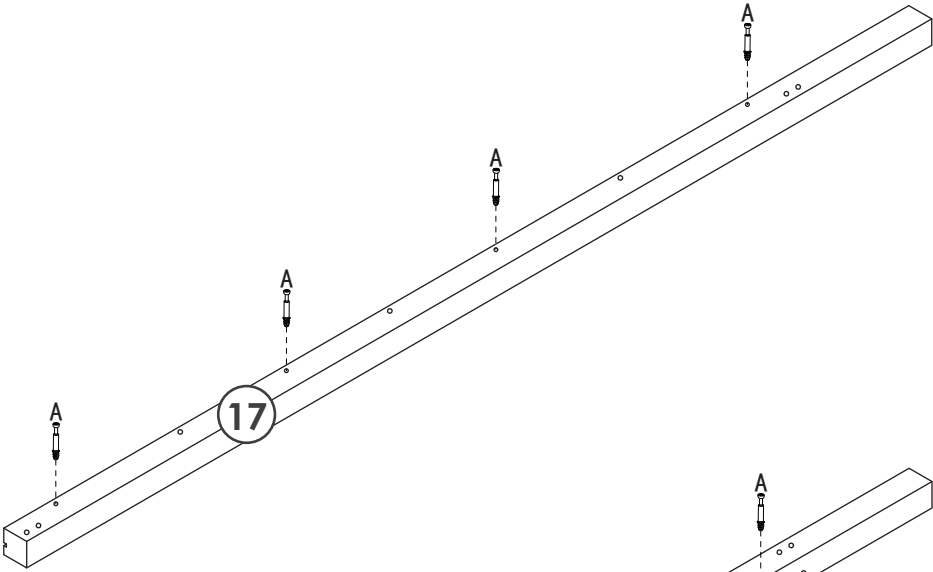


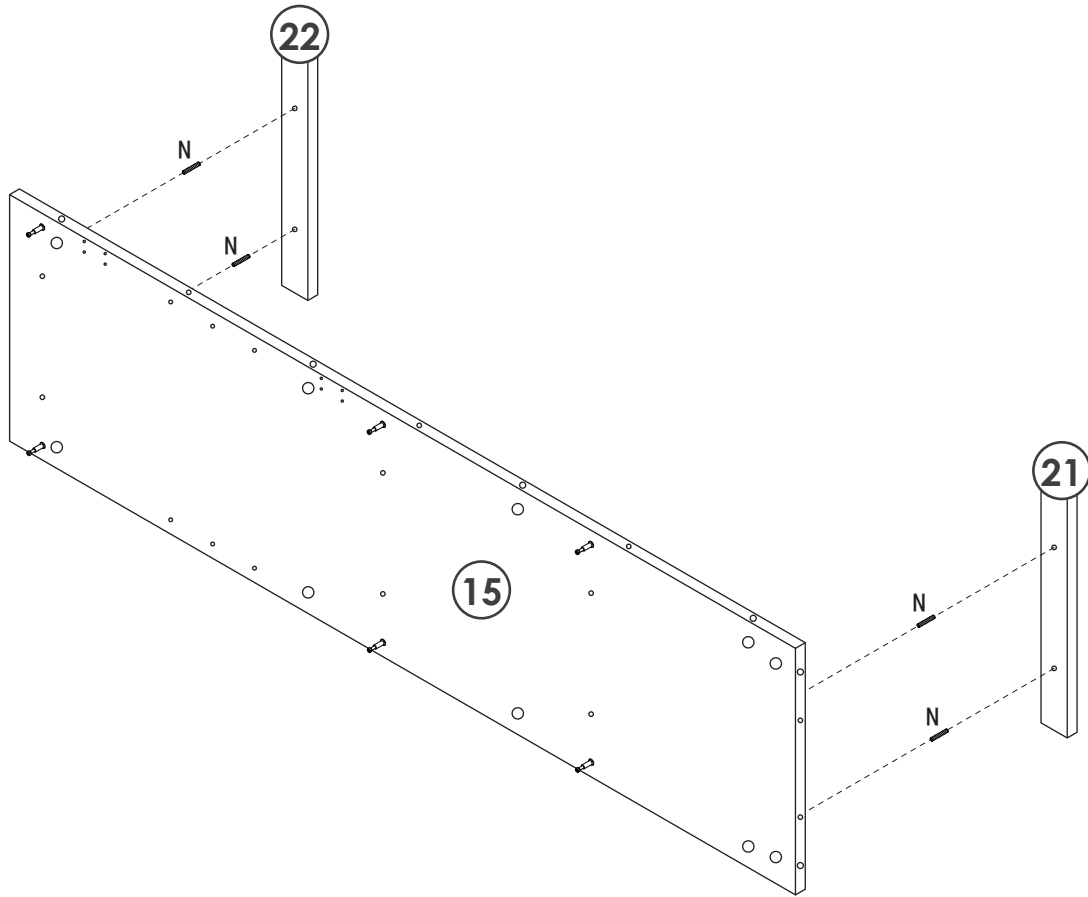
NOTE: This step to be accomplished by two persons

YOU WILL NEED	
D x7	









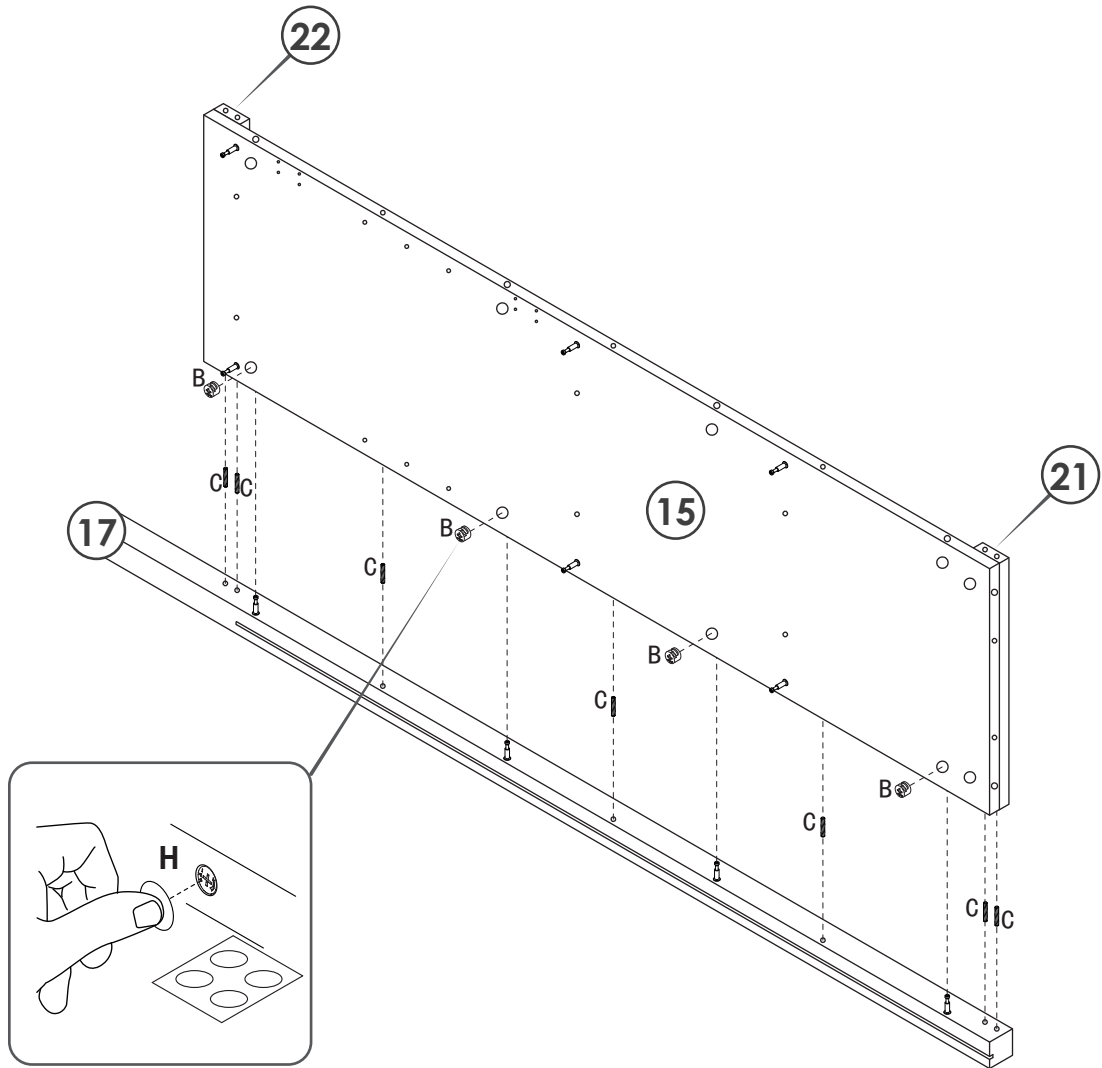
NOTE: This step to be accomplished by two persons

YOU WILL NEED

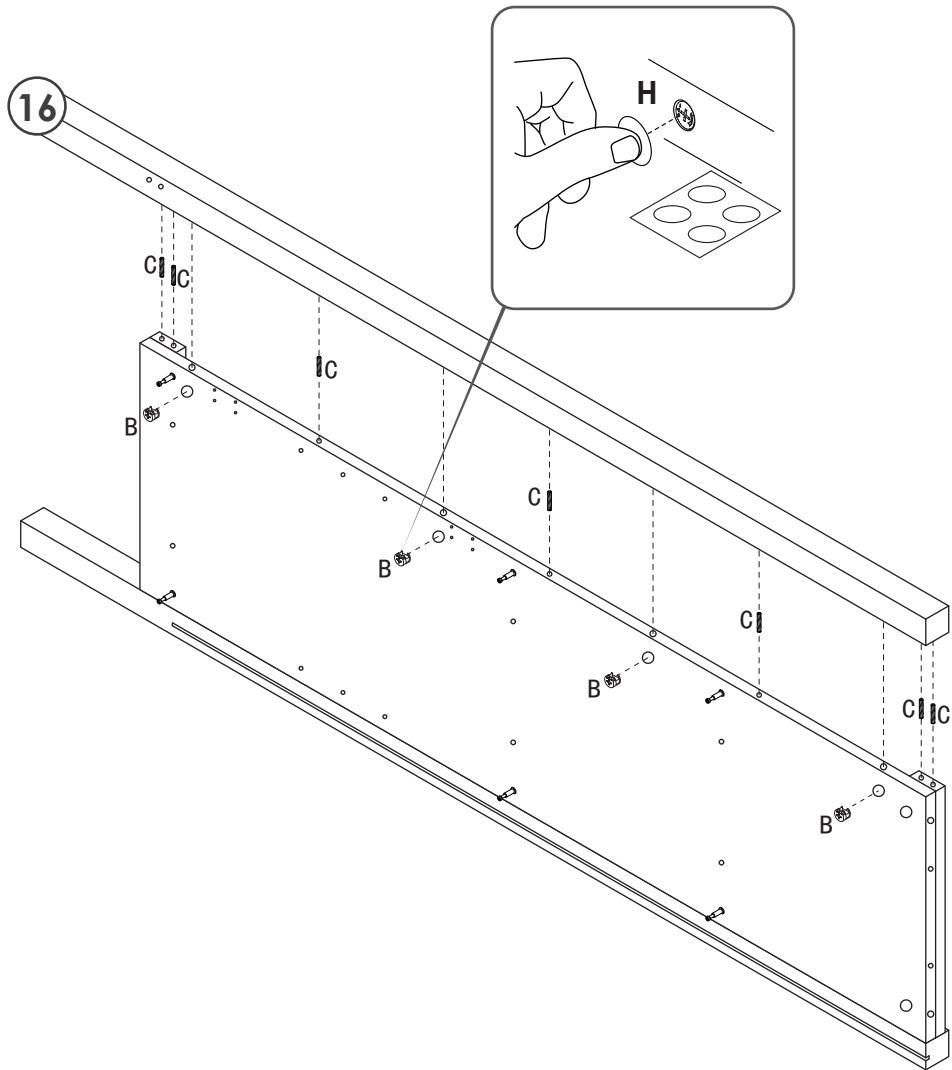
B x4

C x7

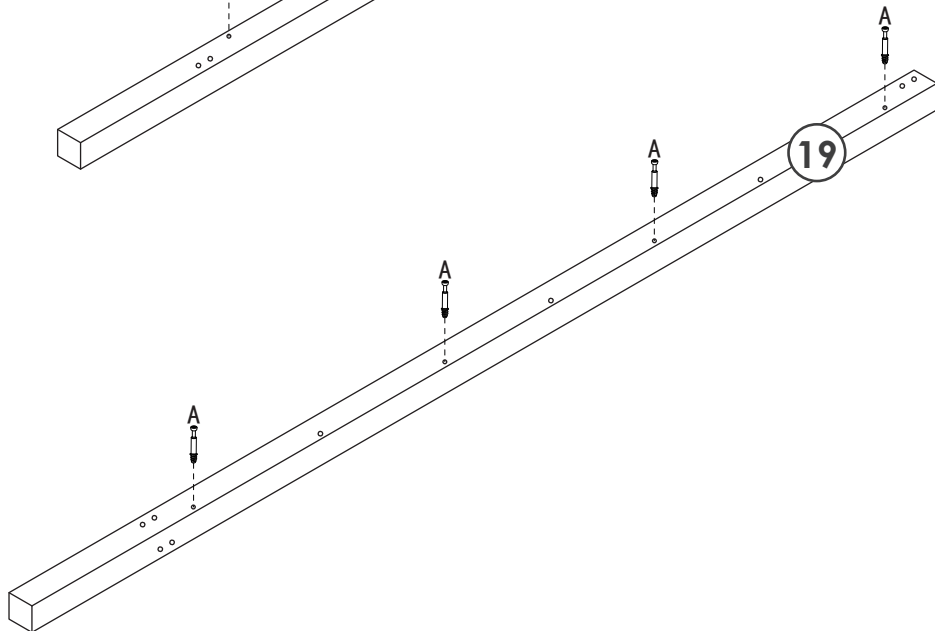
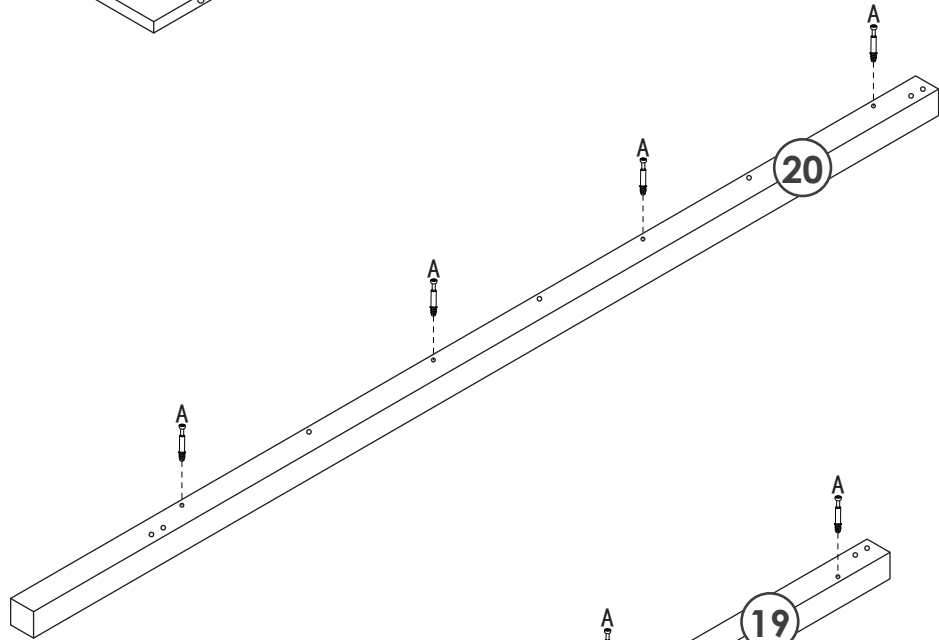
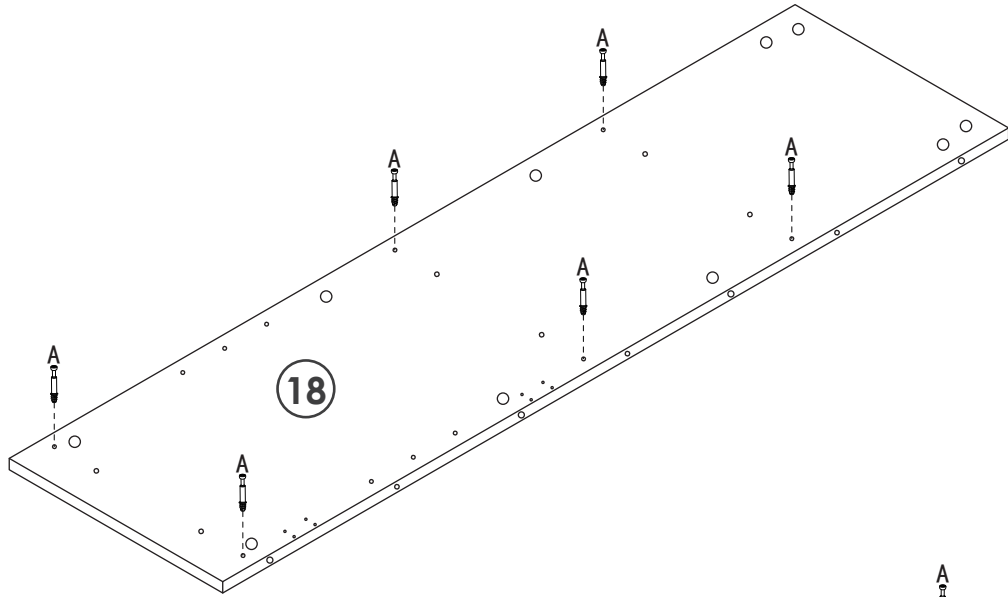
H x4

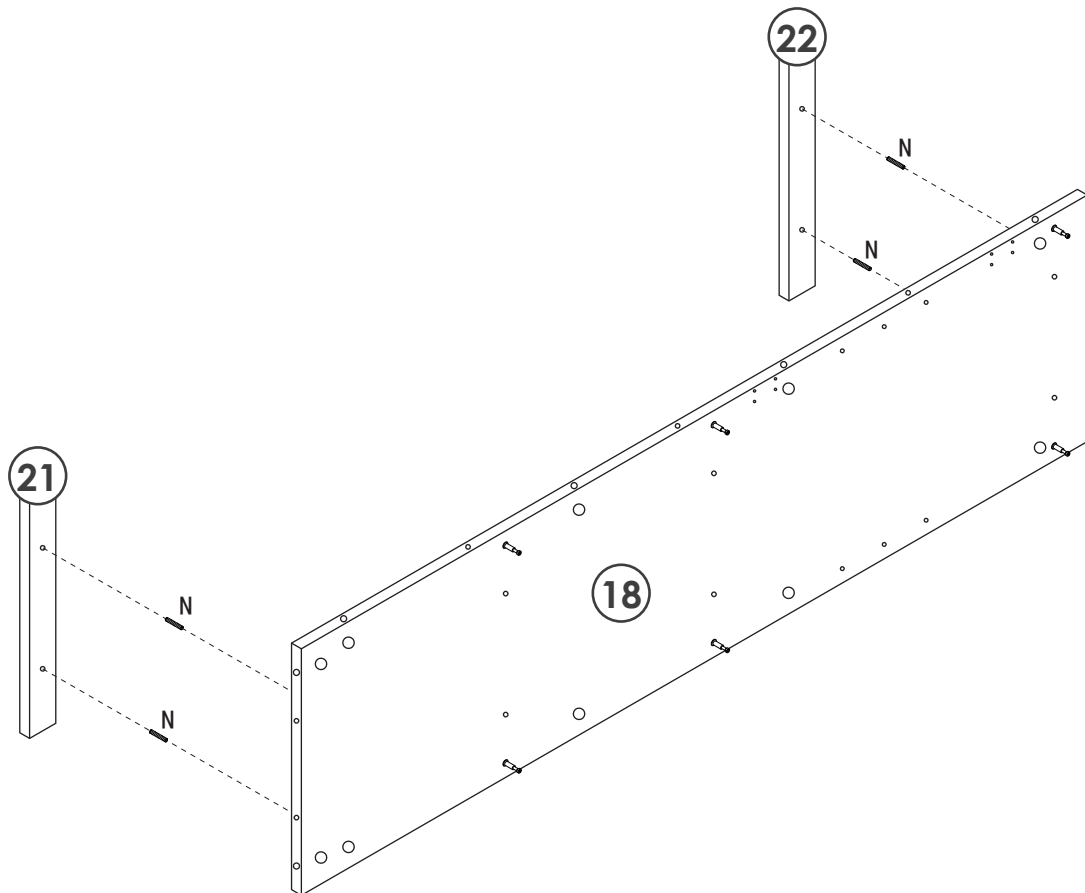


NOTE: This step to be accomplished by two persons



NOTE: This step to be accomplished by two persons





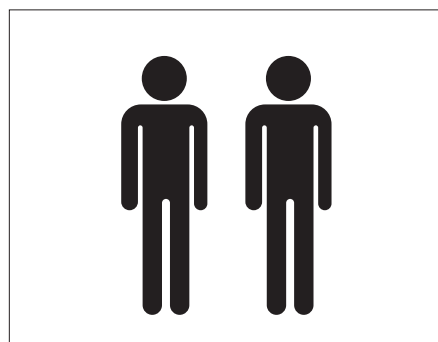
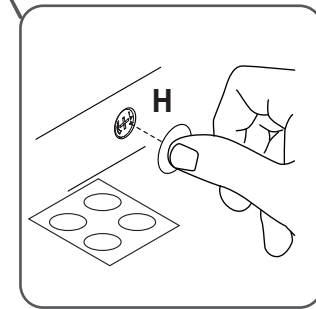
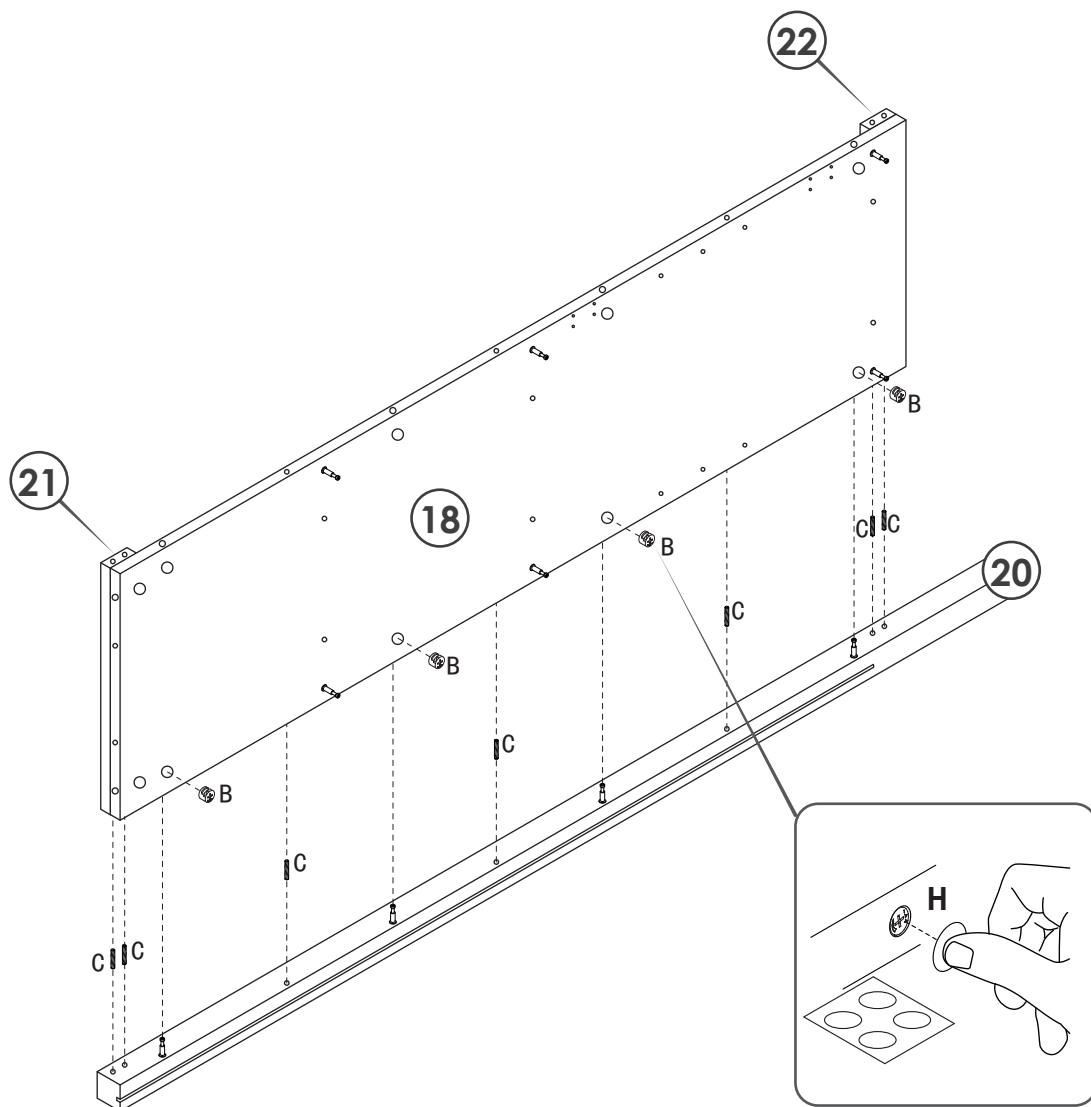
NOTE: This step to be accomplished by two persons

YOU WILL NEED

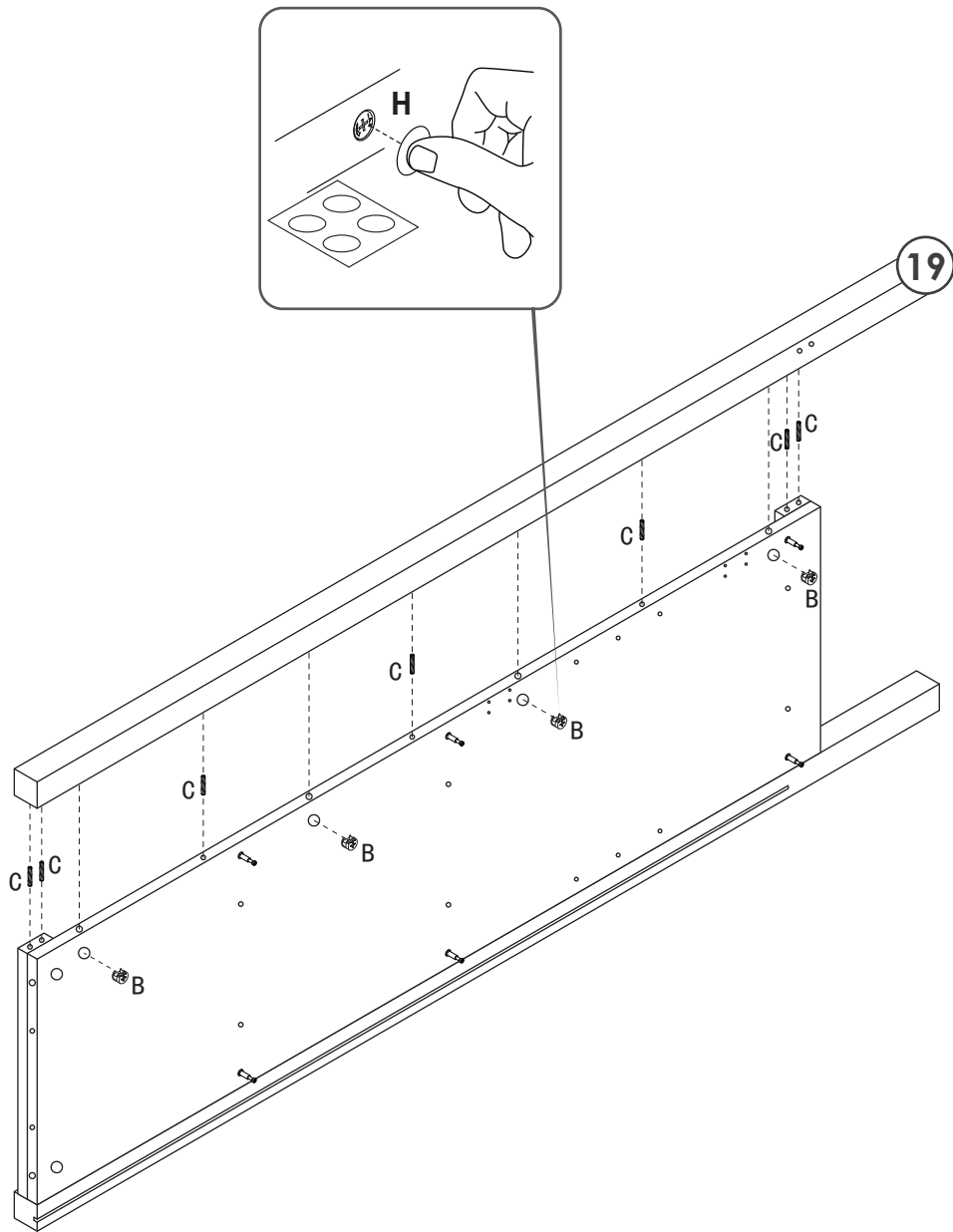
B x4

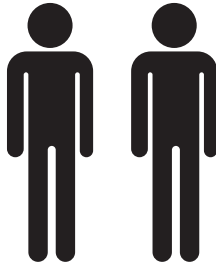
C x7

H x4

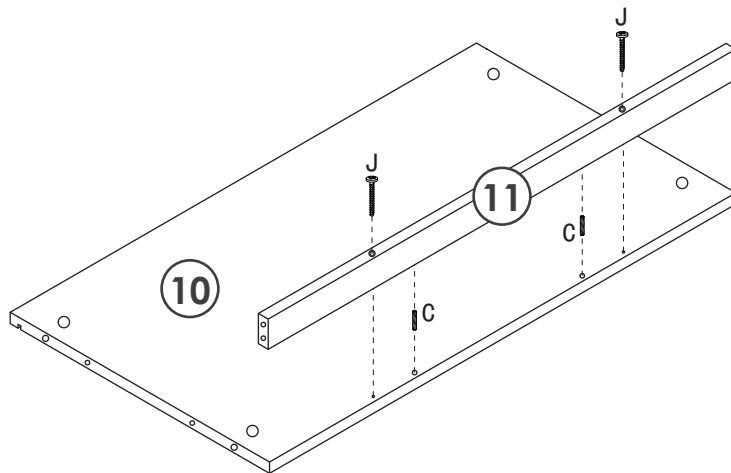


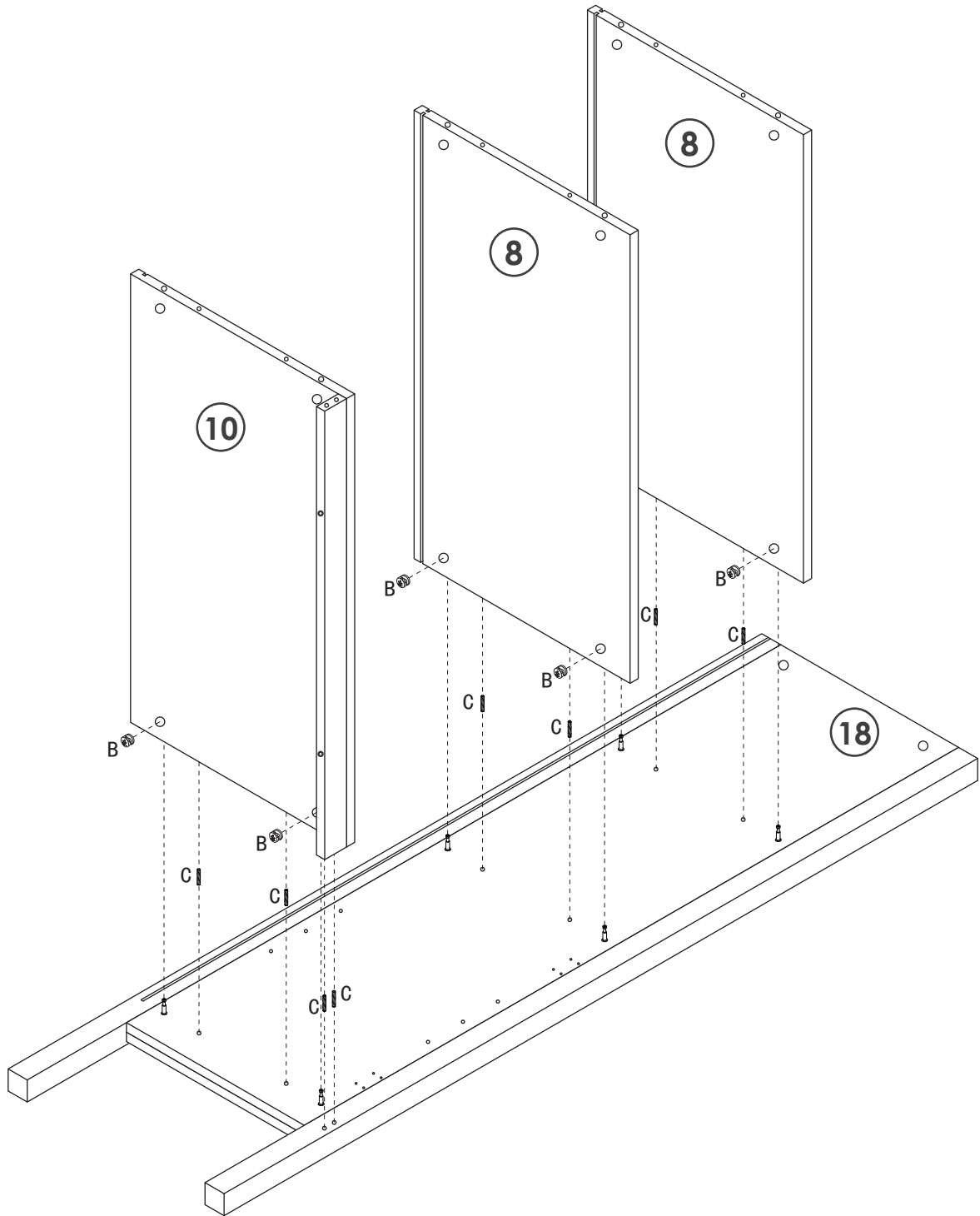
NOTE: This step to be accomplished by two persons

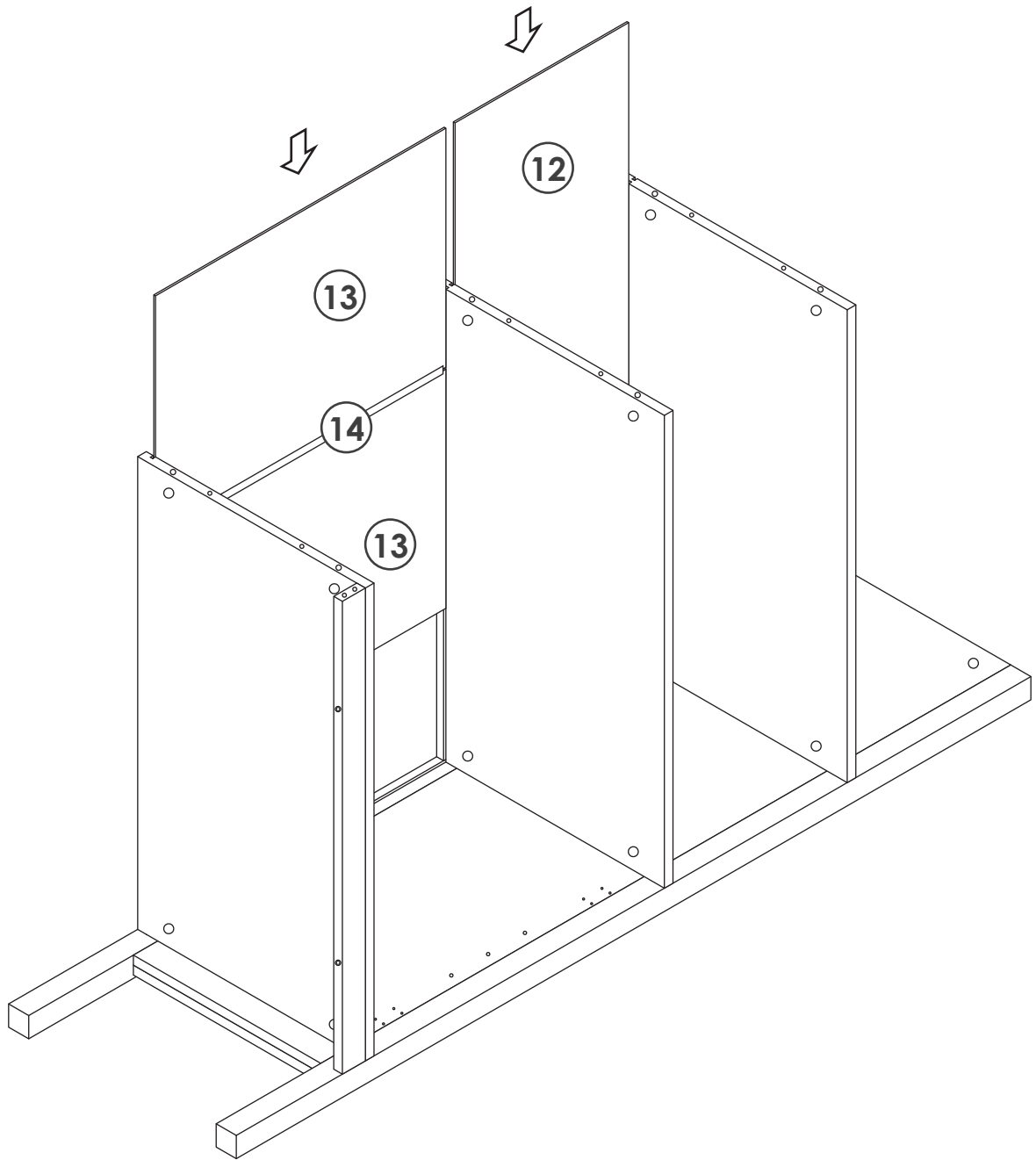


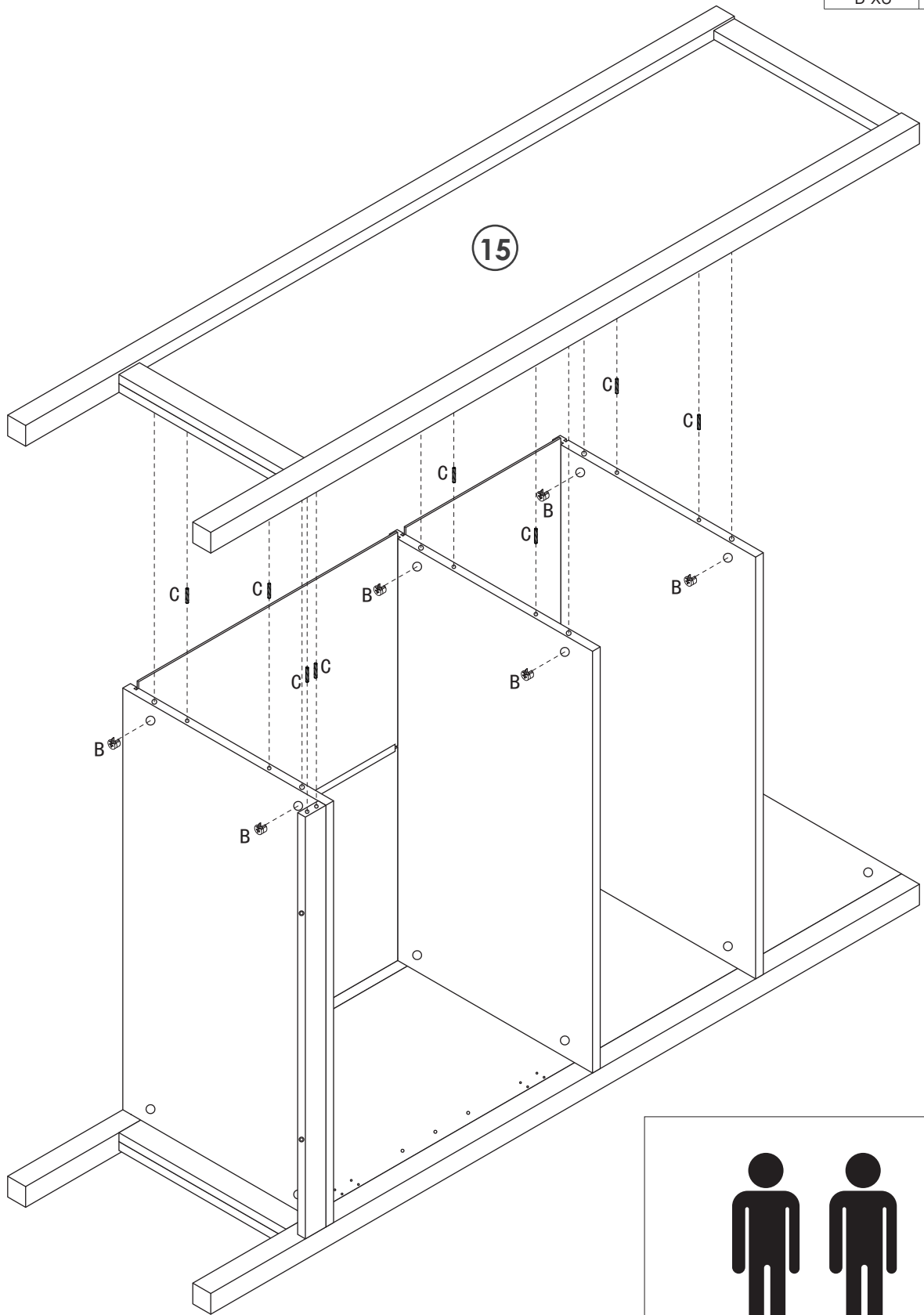


NOTE: This step to be accomplished by two persons









NOTE: This step to be accomplished by two persons

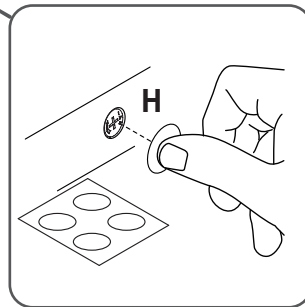
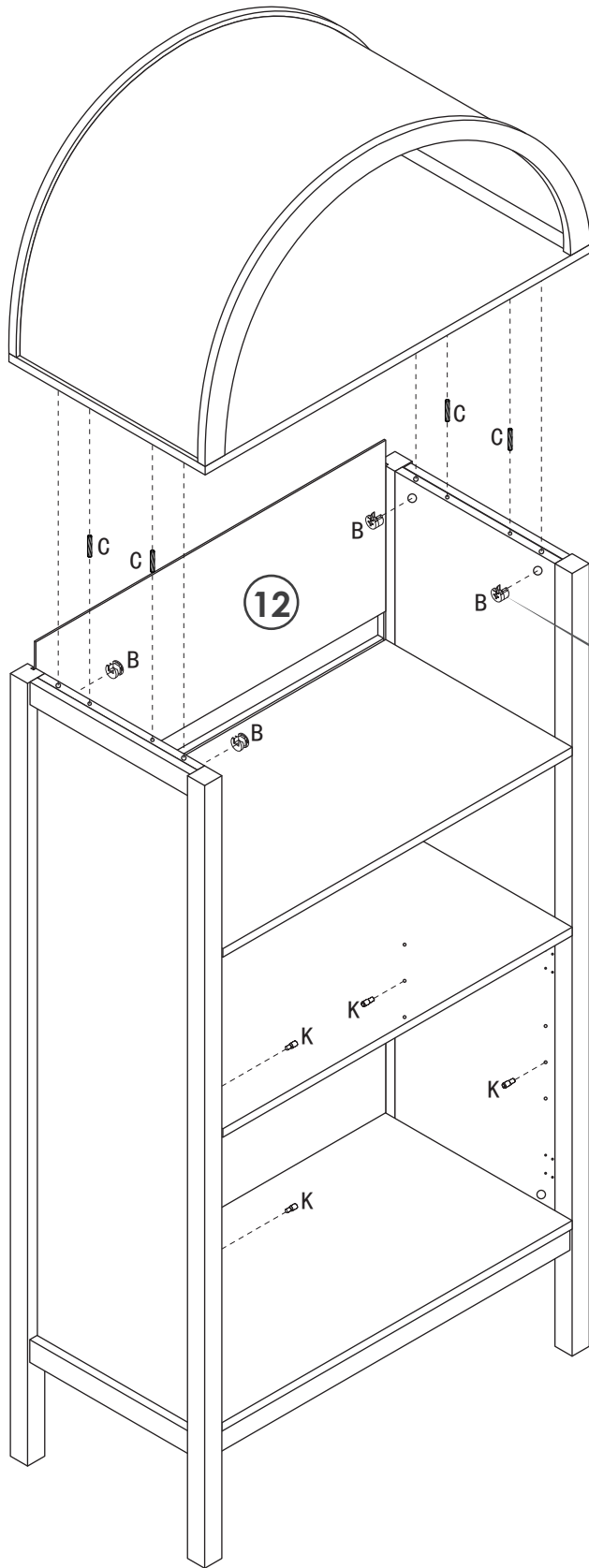
YOU WILL NEED

B x4

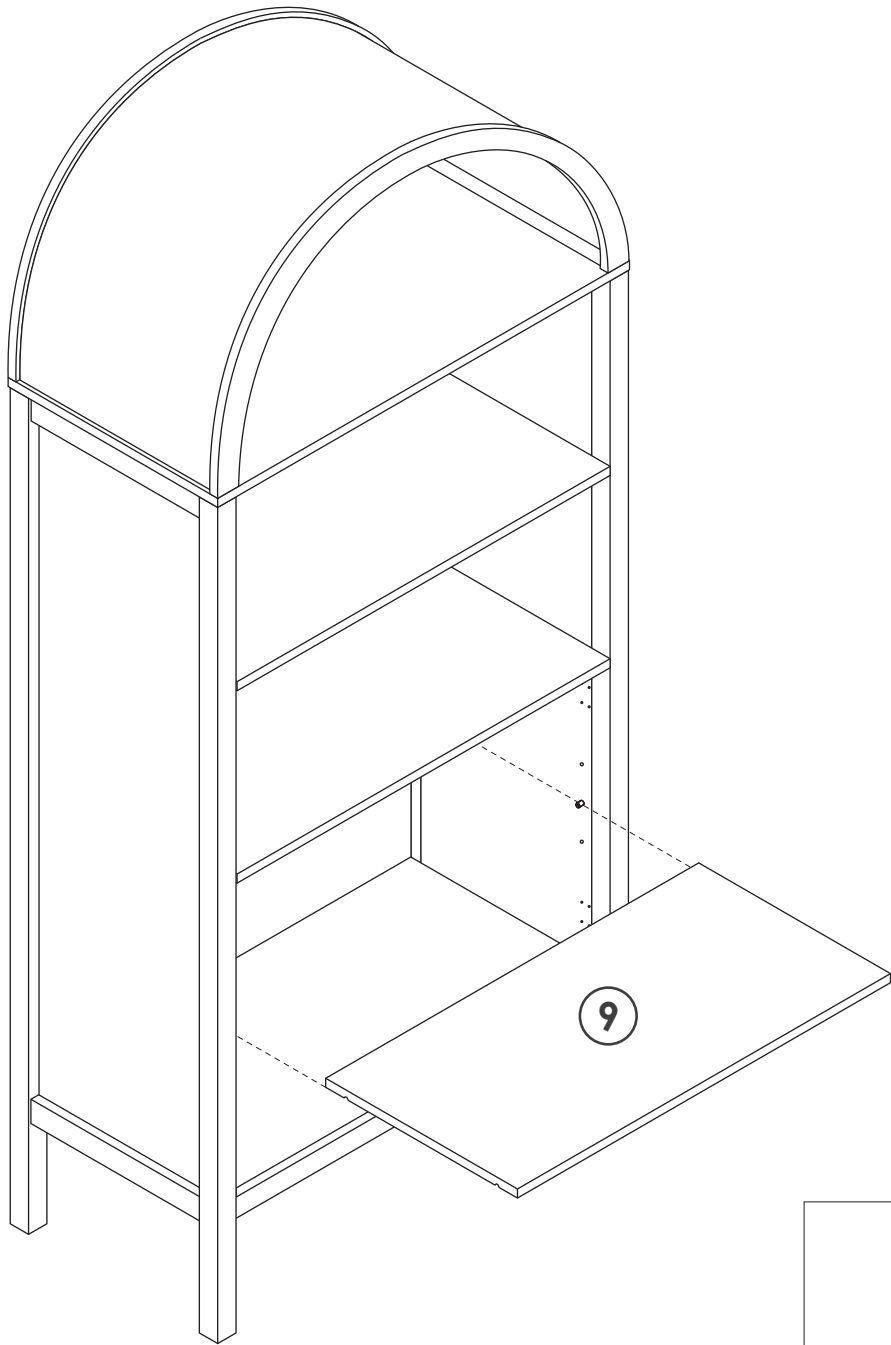
C x4

H x4

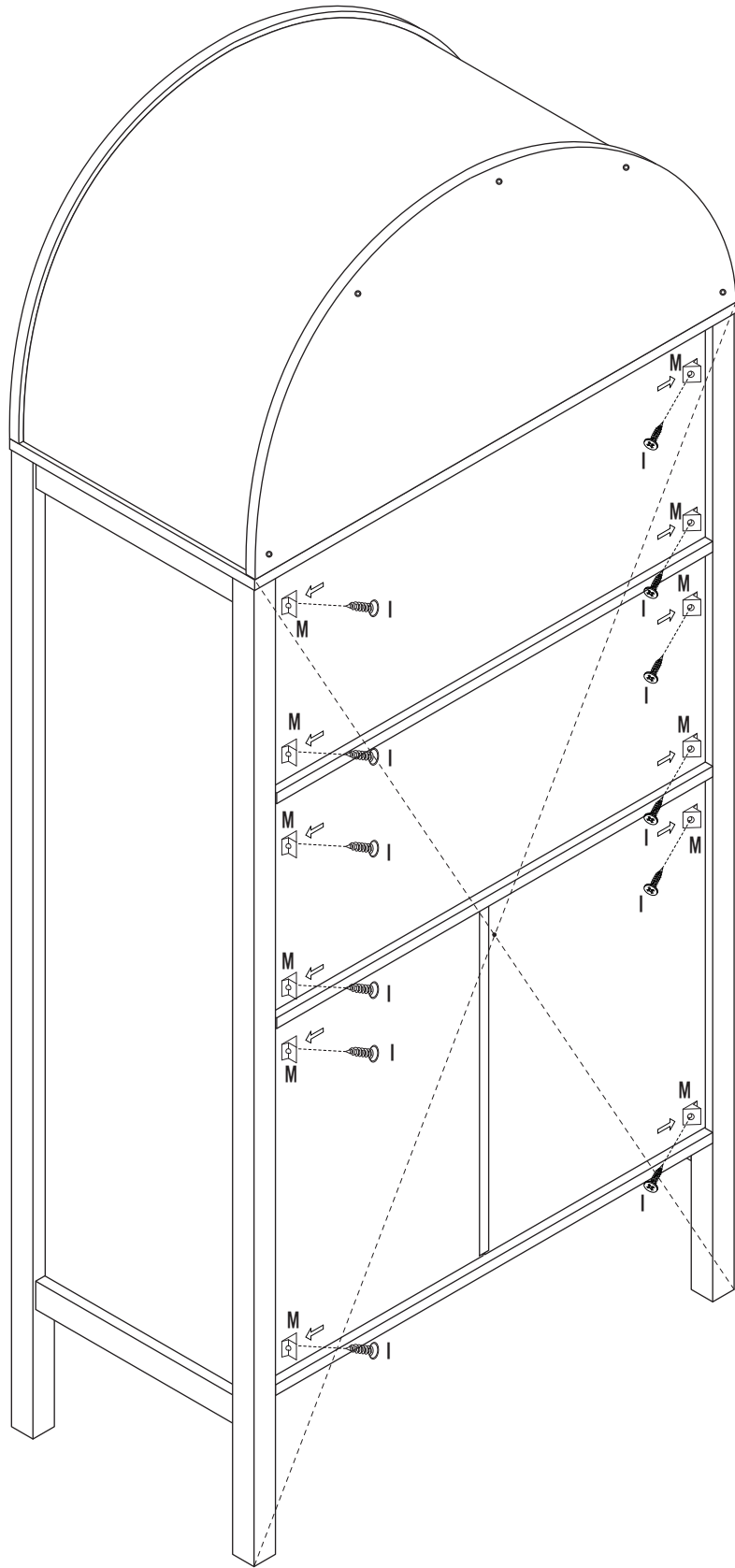
K x4



NOTE: This step to be accomplished by two persons



NOTE: This step to be accomplished by two persons



YOU WILL NEED

E x8

F x4

G x2

L x4

