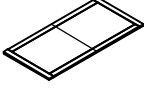

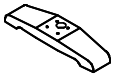
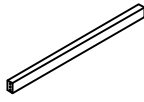











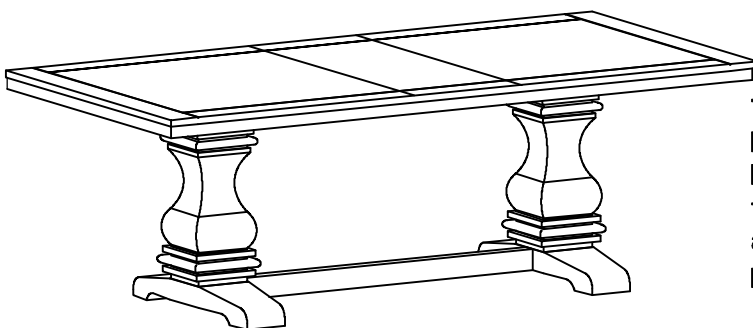


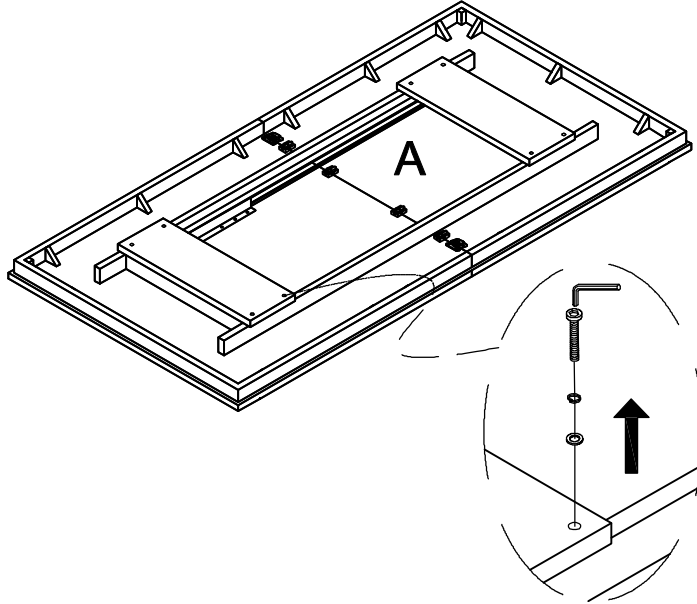
ASSEMBLY INSTRUCTION

A Top Panel  1PC	B Leg  2PCS	C Base  2PCS	D Stretcher  1PC
E Leaf  1PC	F Bolt-Large 5/16"*3-1/2"  8PCS	G Bolt-Small 5/16"*2"  8PCS	H Lock Washer 5/16"  16PCS
I Flat Washer 5/16"*19mm  16PCS	J Wooden Dowel 10*40mm  4PCS	K Hexagon Nut 5/16"  2PCS	L Half Round Nut 5/16"  2PCS
M Bolt 5/16"*3"  2PCS	N Spanner 13mm  1PC	O Allen Key 5mm  1PC	

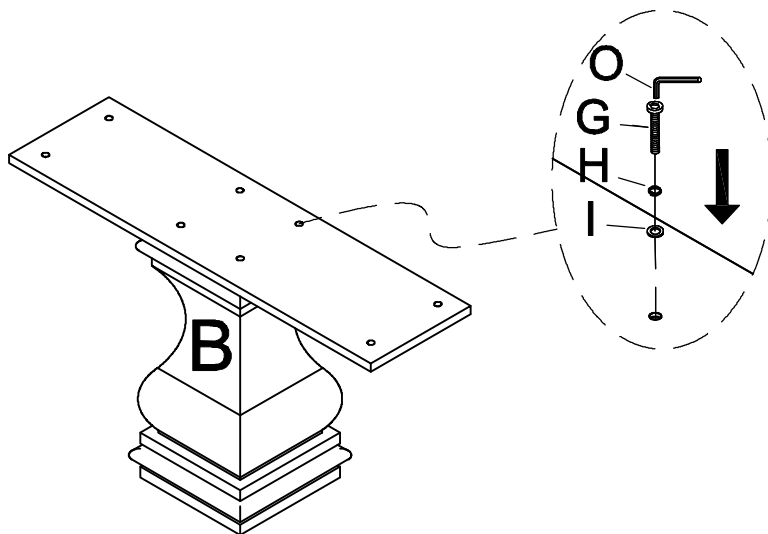


This page lists all the contents included in the box. Please take the time to identify the hardware as well as the individual components to this product. AS you unpack and prepare for assembly. place the contents on a carpeted or padded area to protect them from damage.

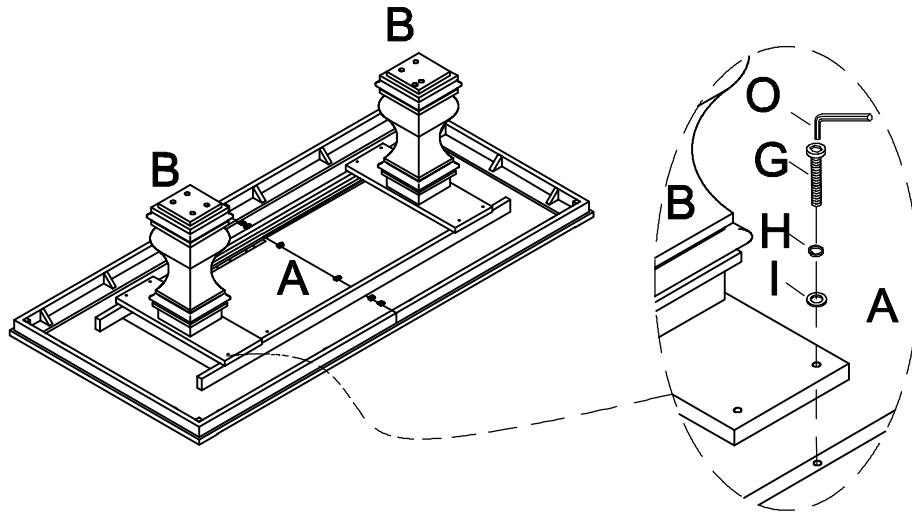
- 1** Remove the mounting plate from the bottom of the Table Top (A) by using Allen Key (O) as below showing.



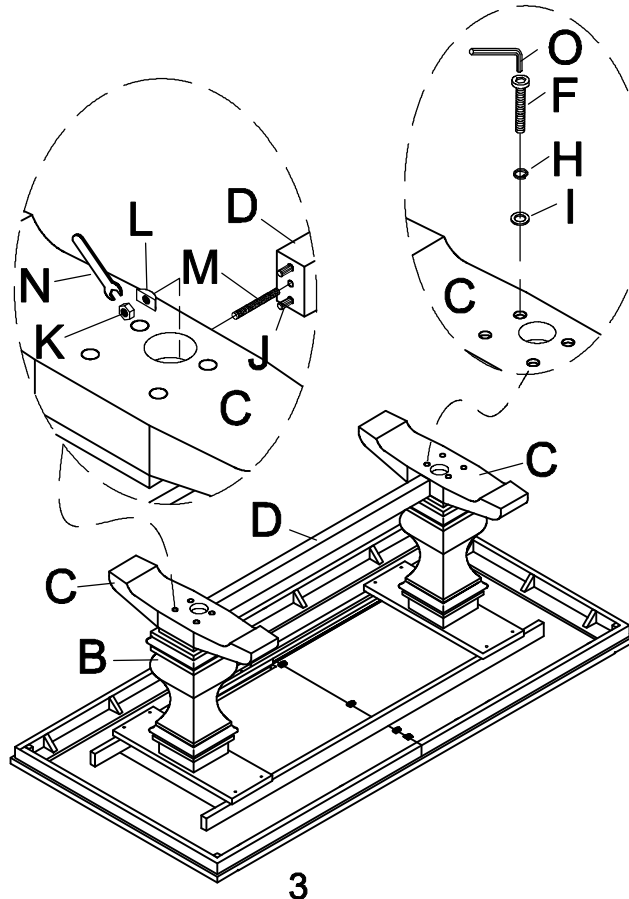
- 2** Attach the mounting plate to the Leg (B) by using Flat Washer (I), Lock Washer (H) and Bolt-Small (G) with Allen Key (O).



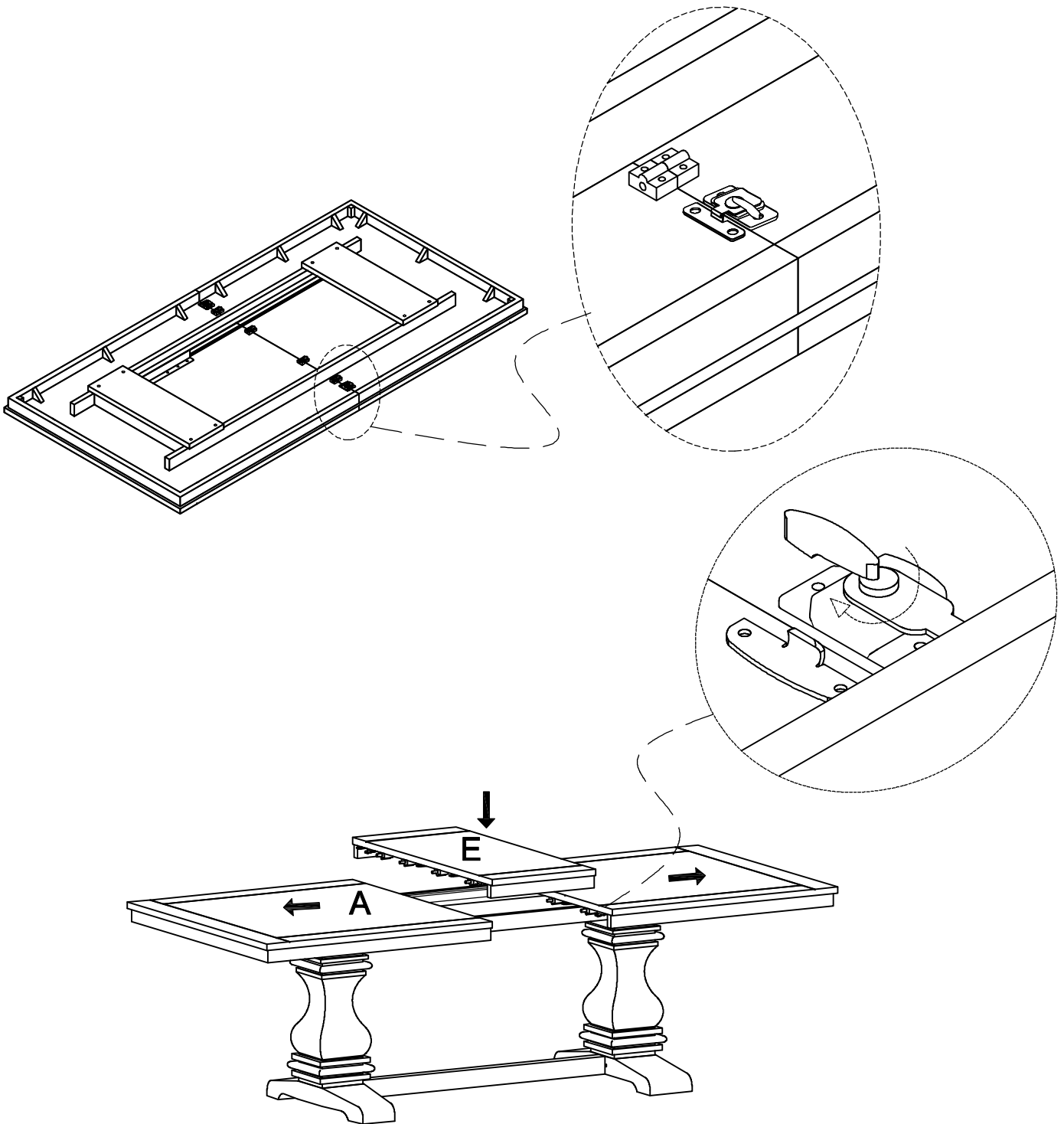
- 3** Attach the assembled Leg (B) with mounting plate to the Table Top (A) by using Flat Washer (I), Lock Washer (H) and Bolt-Small (G) with Allen Key (O).



- 4** Attach the Base (C) to the assembled Leg (B) by Flat Washer (I), Lock Washer (H) and Bolt-Large (F) with Allen Key (O), and then attach the Stretcher (D) to the Base (C) by Wooden Dowel (J), Bolt (M), Half Round Nut (L) and Hexagon Nut (K) with Spanner (N).



5 Attach the Leaf (E) to the middle of the Table Top (A) as below showing.



Cleaning & Care

Treat surface with care. Surface is resistant to scratches but is not scratch resistant. Clean surfaces with a dry or damp soft cloth. Do not use abrasive cleaners. Hardware may loosen over time. Periodically check that all connections are tight.