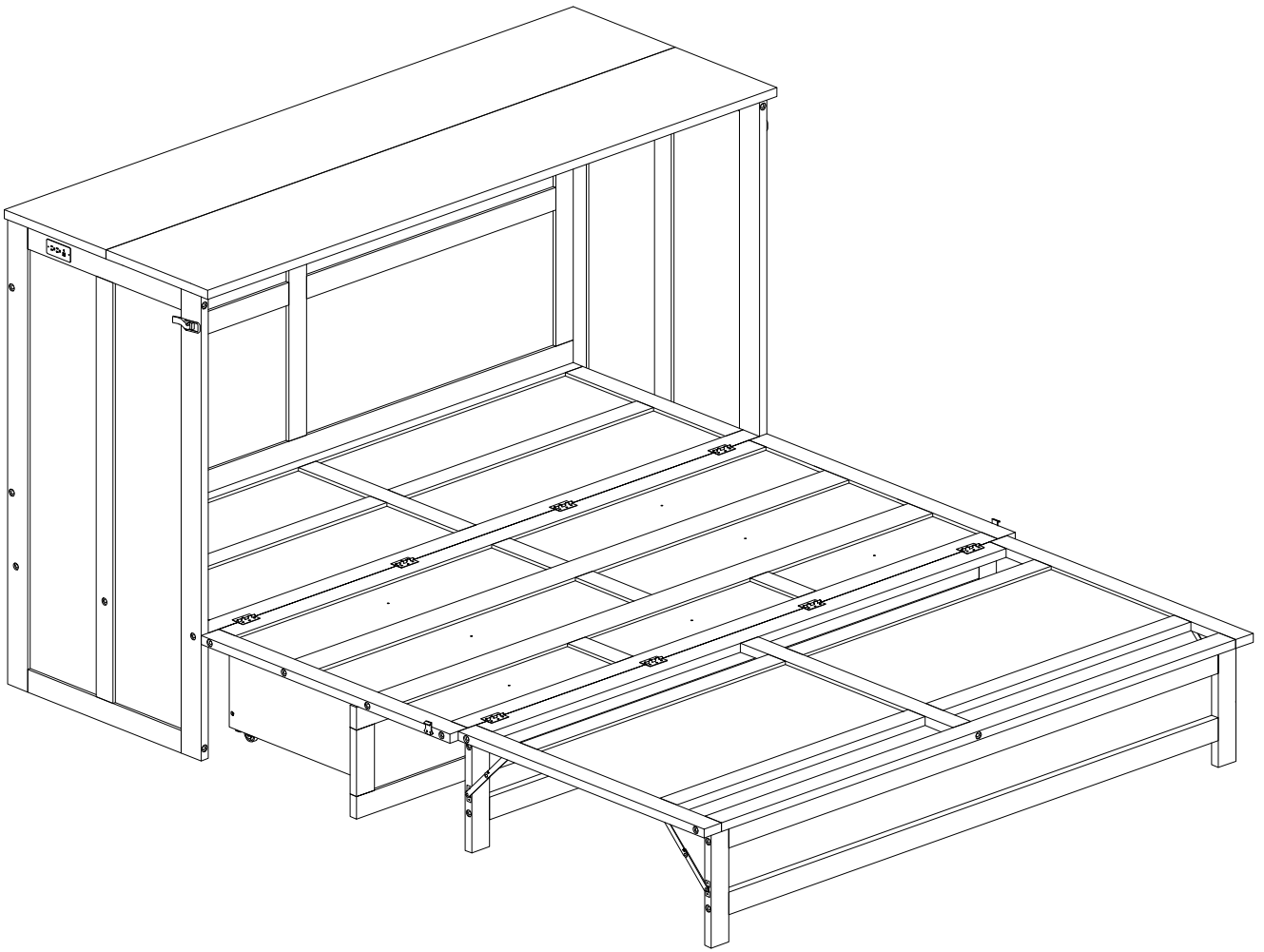
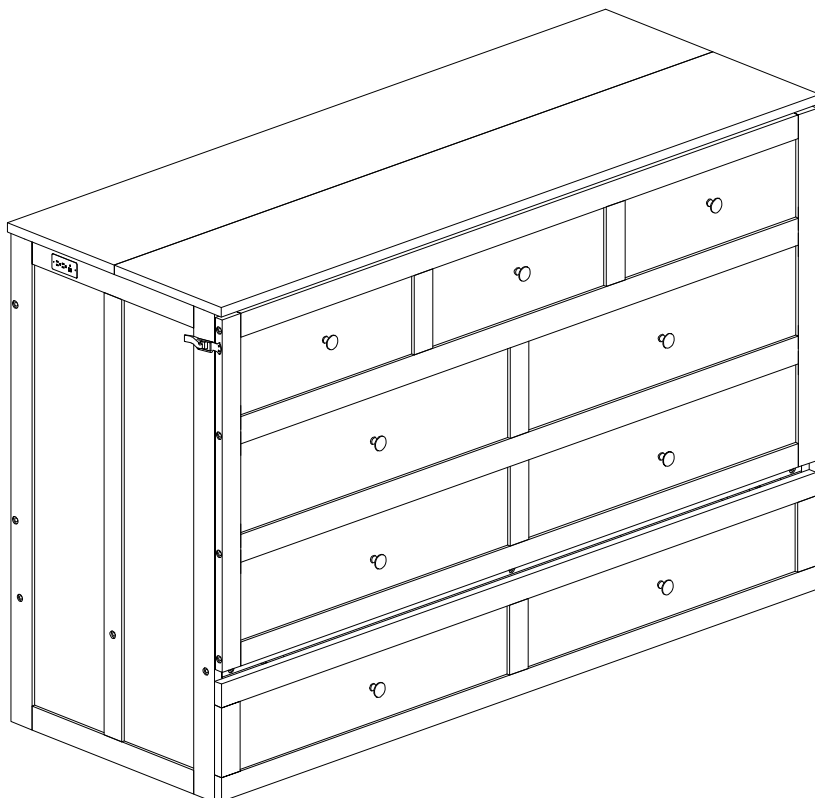




## OPTION 1

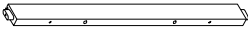
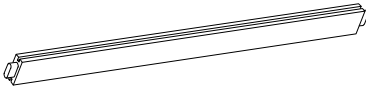

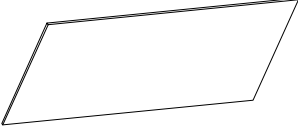






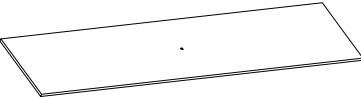
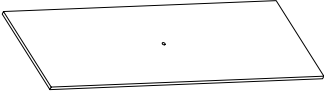

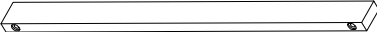



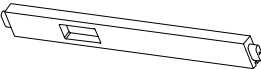




## OPTION 2





# Part List & Hardware List (Box 1)

<p>1C</p>  <p>L/R Vertical bar (2pcs)</p>	<p>1D</p>  <p>Center horizontal bar (2pcs)</p>	<p>1E</p>  <p>Center Vertical bar (1pc)</p>
<p>1F</p>  <p>Back Panel (3pcs)</p>	<p>1G</p>  <p>Back Panel with cable hole (1pc)</p>	<p>2C</p>  <p>L/R Vertical bar (2pcs)</p>
<p>2D</p>  <p>Center horizontal bar (2pcs)</p>	<p>2E</p>  <p>Center Vertical bar (1pc)</p>	<p>2F</p>  <p>Support Panel (4pcs)</p>
<p>3C</p>  <p>L/R Vertical bar (2pcs)</p>	<p>3G</p>  <p>Support Panel (4pcs)</p>	<p>3H</p>  <p>Small Support Panel (3pcs)</p>
<p>3F</p>  <p>Center Vertical bar (4pcs)</p>	<p>4C</p>  <p>Left Vertical bar (1pc)</p>	<p>4D</p>  <p>Right Vertical bar (1pc)</p>
<p>4E</p>  <p>Center horizontal bar (4pcs)</p>	<p>4F</p>  <p>Center Vertical bar (1pc)</p>	
<p>5A</p>  <p>Top bar (1pc)</p>	<p>5D</p>  <p>Center Vertical bar (1pc)</p>	<p>5E</p>  <p>Support Panel (2pcs)</p>

# Part List & Hardware List (Box 1)

**5F**



**Bottom bar (1pc)**

**6A**



**Top bar (1pc)**

**6F**



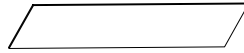
**Bottom bar (1pc)**

**6D**



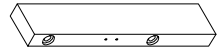
**Center Vertical bar (1pc)**

**6E**





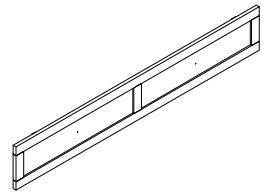
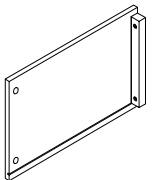
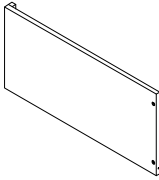
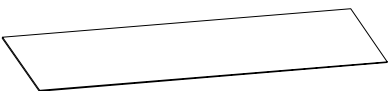
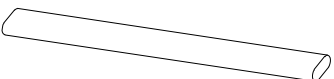
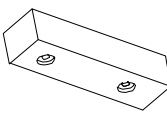






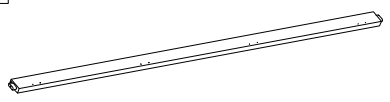


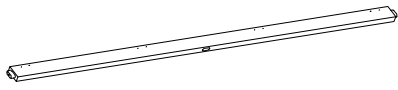



**Support Panel (2pcs)**

**7A**



**Legs (4pcs)**

# Part List (Box 2)

<p><b>A</b></p>  <p>Rear top panel (1pc)</p>	<p><b>B</b></p>  <p>Front top panel (1pc)</p>	<p><b>C</b></p>  <p>Drawer front -1pc</p>
<p><b>D1</b></p>  <p>Left drawer side (1pc)</p>	<p><b>D2</b></p>  <p>Right drawer side (1pc)</p>	<p><b>F</b></p>  <p>Drawer bottom panel (2pcs)</p>
<p><b>G</b></p>  <p>Bottom Support bar (2pcs)</p>	<p><b>H</b></p>  <p>Block the Drawer (2pcs)</p>	<p><b>E</b></p>  <p>Drawer back (1pc)</p>
<p><b>1A</b></p>  <p>Upper horizontal bar (1pc)</p>	<p><b>1B</b></p>  <p>Bottom horizontal bar (1pc)</p>	<p><b>2A</b></p>  <p>horizontal bar (1pc)</p>
<p><b>2B</b></p>  <p>horizontal bar (1pc)</p>	<p><b>3A</b></p>  <p>horizontal bar (1pc)</p>	<p><b>3B</b></p>  <p>horizontal bar (1pc)</p>
<p><b>3D</b></p>  <p>horizontal bar (1pc)</p>	<p><b>3E</b></p>  <p>horizontal bar (1pc)</p>	<p><b>4A</b></p>  <p>horizontal bar (1pc)</p>
<p><b>4B</b></p>  <p>horizontal bar (1pc)</p>	<p><b>5B</b></p>  <p>Left Vertical bar (1pc)</p>	<p><b>5C</b></p>  <p>Right Vertical bar (1pc)</p>

# Part List (Box 2)

**6B**



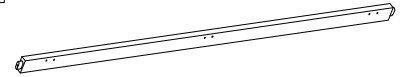
**Left Vertical bar (1pc)**

**6C**



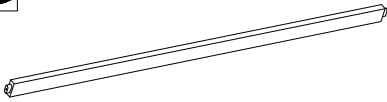
**Right Vertical bar (1pc)**

**7B**



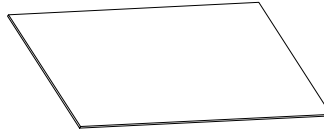
**Upper Support rail (2pcs)**

**7C**




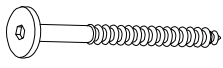
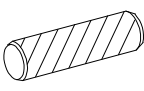
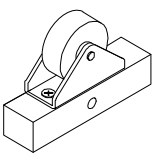
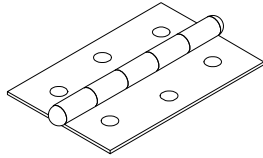
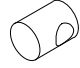
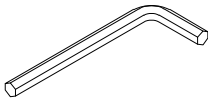
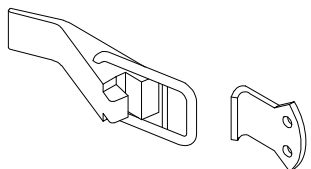

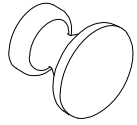

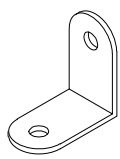
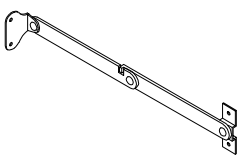
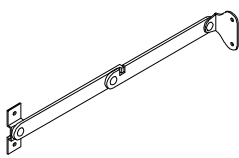

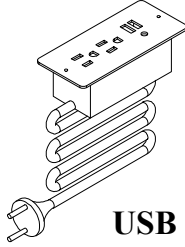
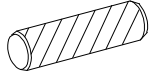
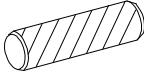

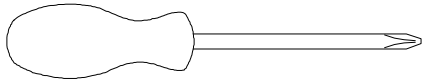
**Bottom Support rail (2pcs)**

**4G**

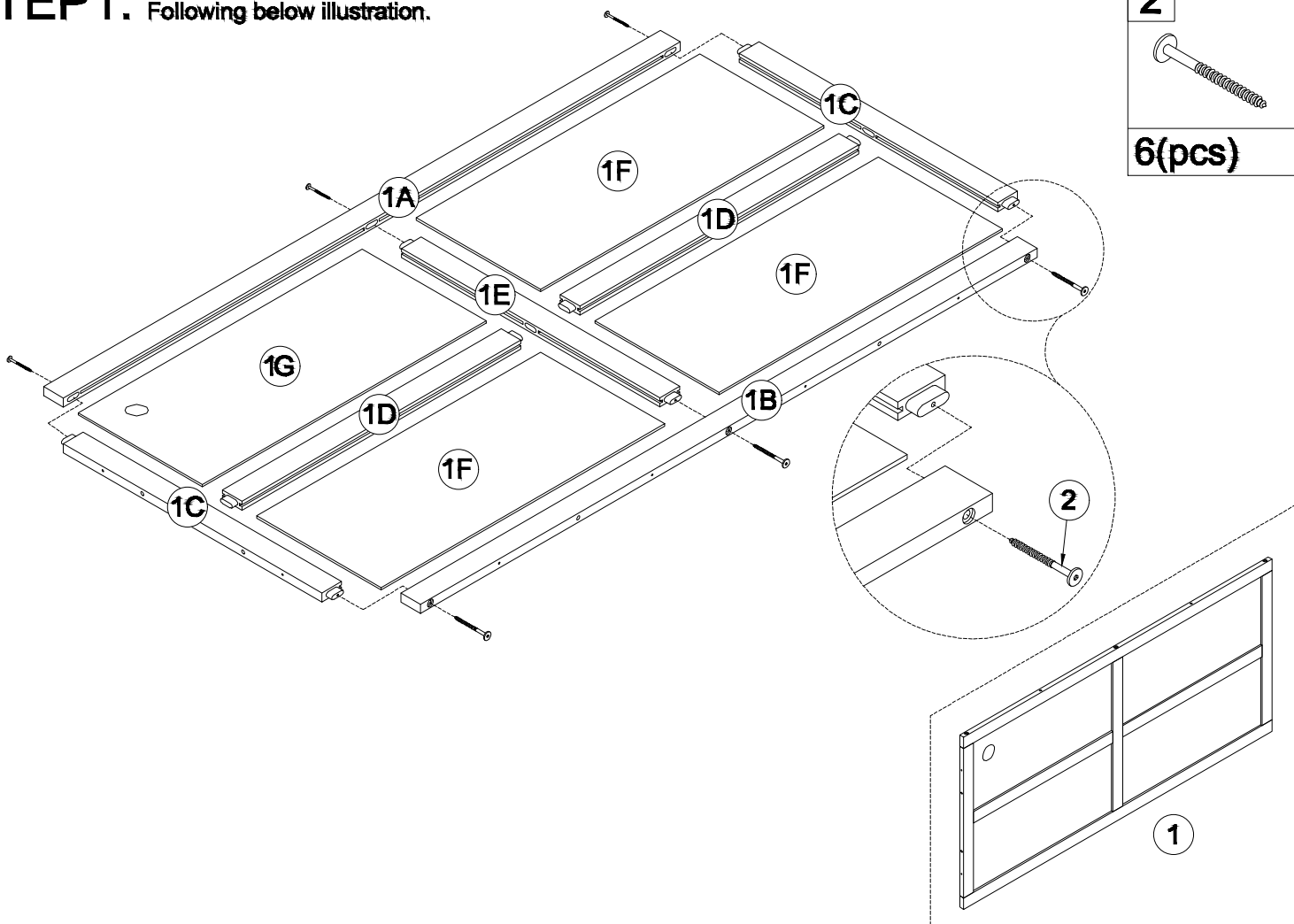


**Support Panel (2pcs)**

# Hardware List (Box 1)

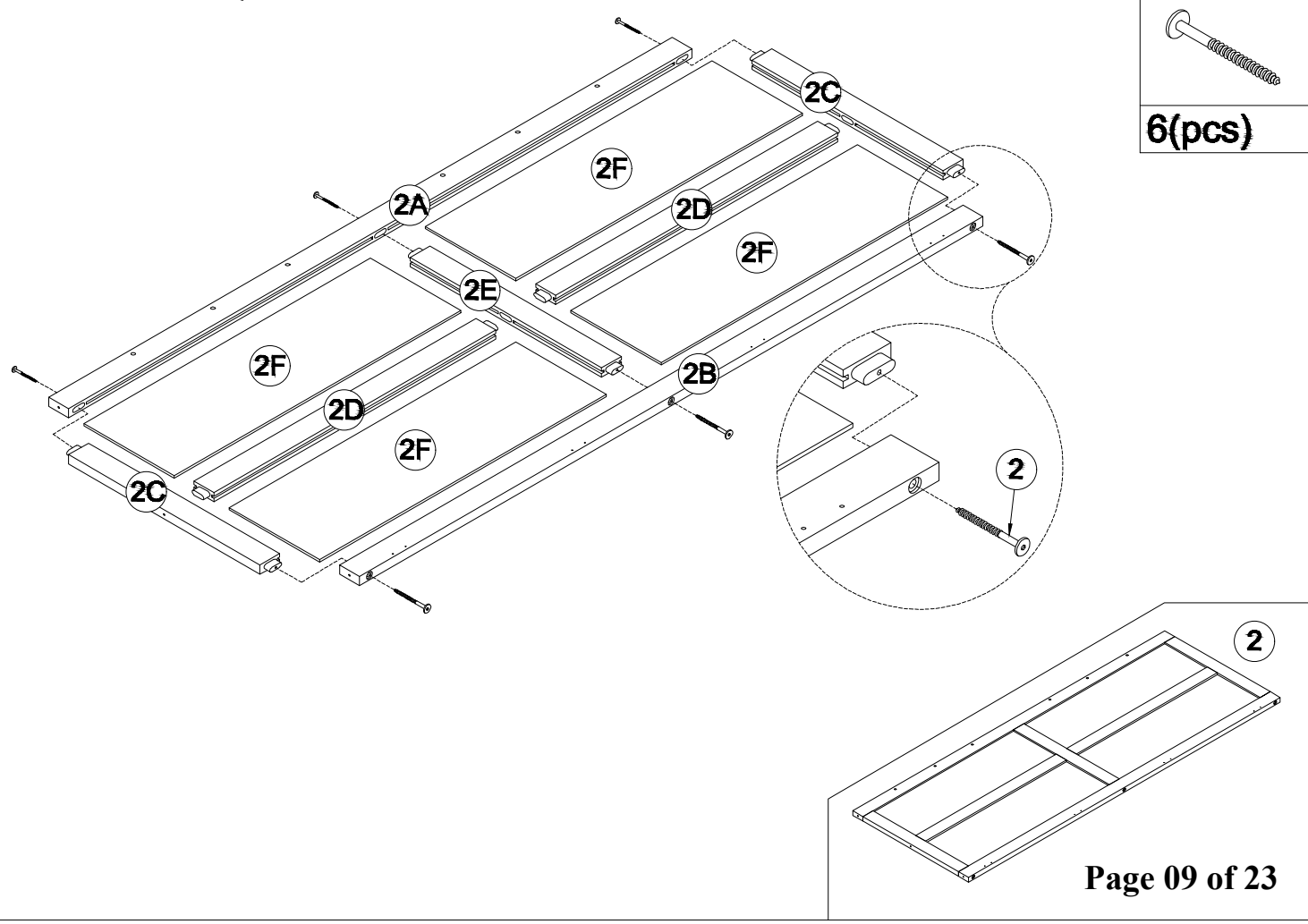
<p><b>1</b></p>  <p><b>Hex - Head Screws</b> Ø1/4"*40 - 14pcs</p>	<p><b>2</b></p>  <p><b>Hex - Head Screws</b> Ø1/4"*60 - 42pcs</p>	<p><b>3</b></p>  <p><b>Wood dowel</b> Ø8*30mm - 10pcs</p>
<p><b>4</b></p>  <p><b>Wheels 4pcs</b></p>	<p><b>5</b></p>  <p><b>Hinge 14pcs</b></p>	<p><b>6</b></p>  <p><b>Horizontal-Hole nuts</b> Ø8*8mm - 4pcs</p>
<p><b>7</b></p>  <p><b>Allen Key 1pc</b></p>	<p><b>8</b></p>  <p><b>Duckbill Lock 2sets</b></p>	<p><b>9</b></p>  <p><b>Pan-Head</b> m4*15mm- 9pcs</p>
<p><b>10</b></p>  <p><b>Wooden Knob 9pcs</b></p>	<p><b>11</b></p>  <p><b>Wood Screws</b> m4*30mm - 16pcs</p>	<p><b>12</b></p>  <p><b>Bracket 10pcs</b></p>
<p><b>13</b></p>  <p><b>Left Foldable hinge 2pcs</b></p>	<p><b>14</b></p>  <p><b>Right Foldable hinge 2pcs</b></p>	<p><b>15</b></p>  <p><b>Wood Screws</b> m3*15mm - 128pcs</p>
<p><b>16</b></p>  <p><b>USB outlet 1pc</b></p>	<p><b>17</b></p>  <p><b>Wood dowel</b> Ø10*20mm - 4pcs</p>	<p><b>18</b></p>  <p><b>Wood dowel</b> Ø6*20mm - 4pcs</p>
<p><b>19</b></p>  <p><b>Wood Screws</b> m4*25mm - 8pcs</p>	<p><b>Assembly Tools Required (Not Included)</b></p> 	

# STEP1: Following below illustration.



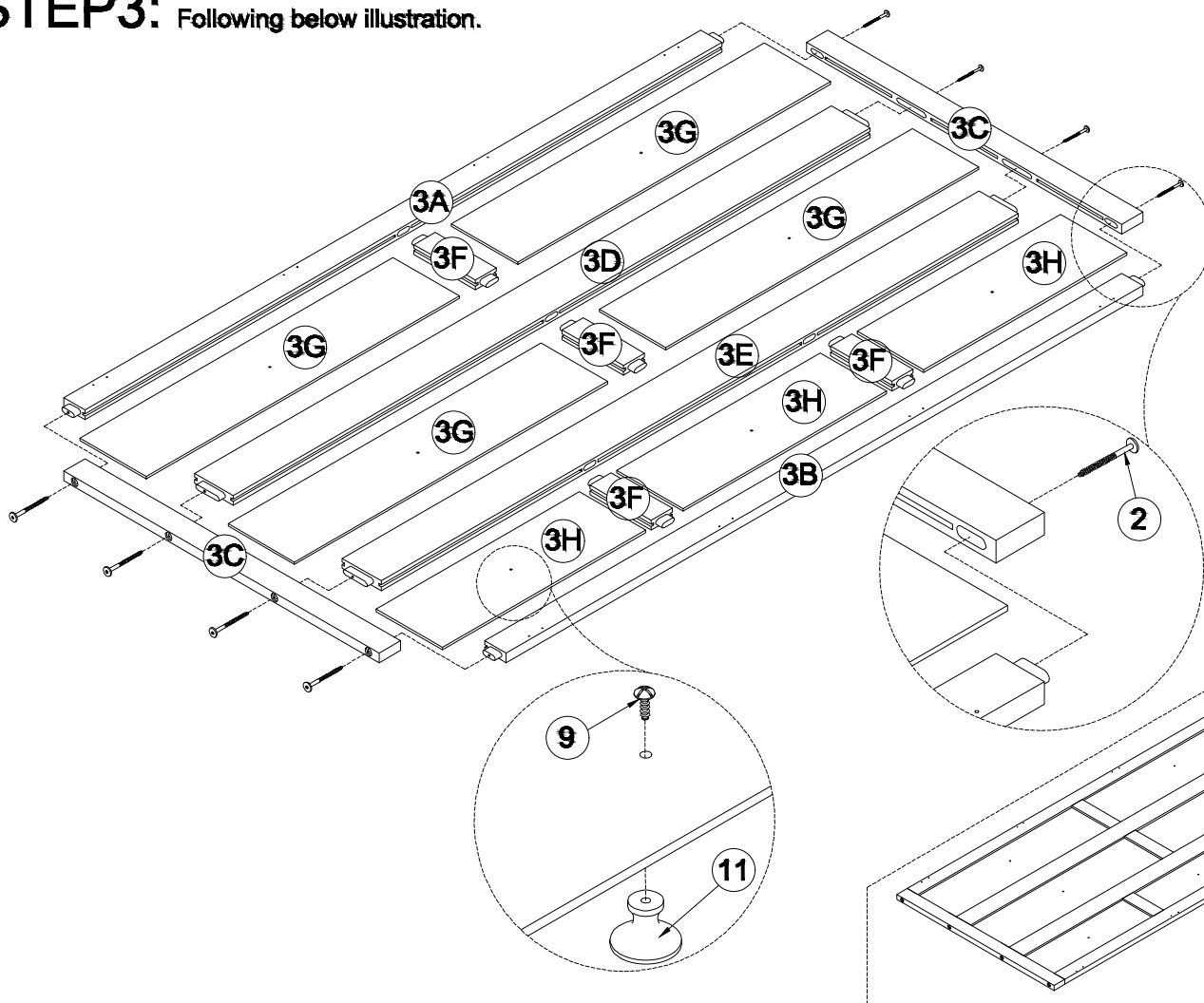
2  
6(pcs)

# STEP2: Following below illustration.



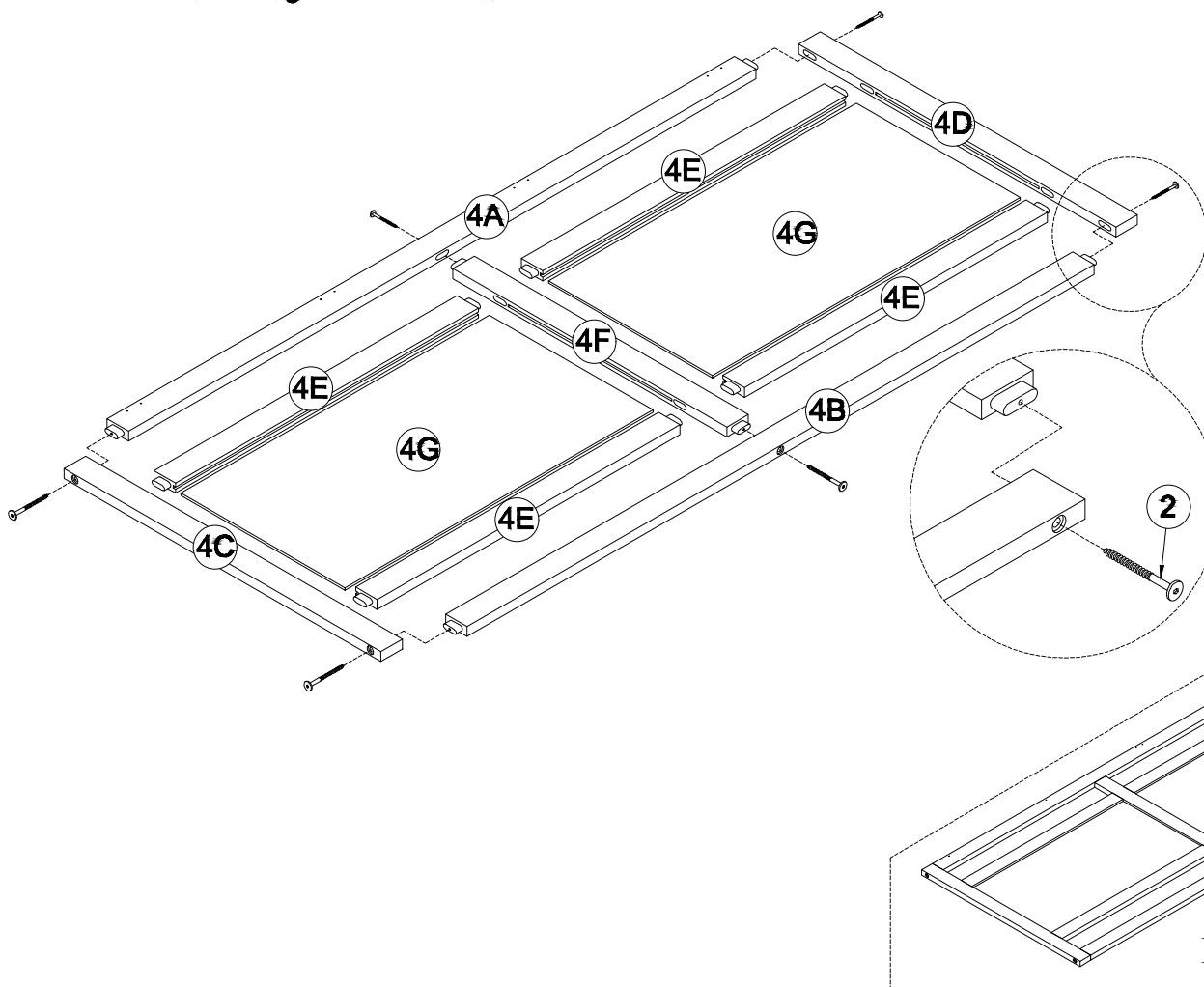
2  
6(pcs)

**STEP3:** Following below illustration.



- 2
- 8(pcs)
- 10
- 7(pcs)
- 9
- 7(pcs)

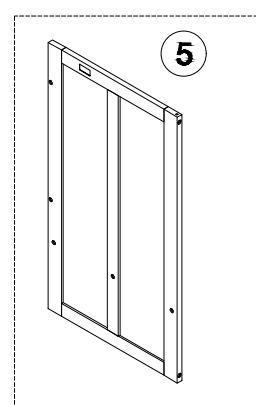
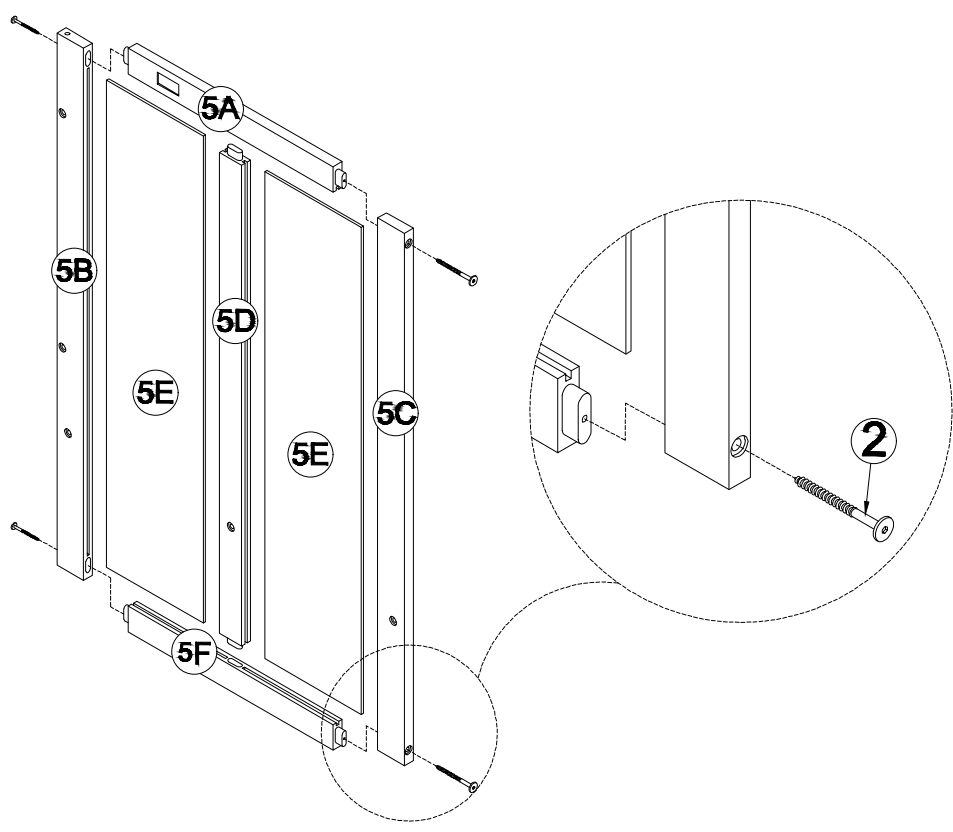
**STEP4:** Following below illustration.



- 2
- 6(pcs)

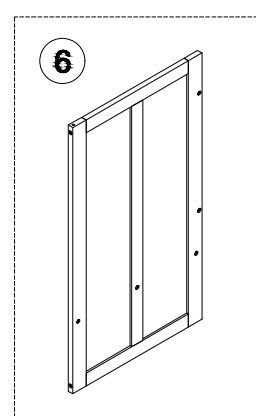
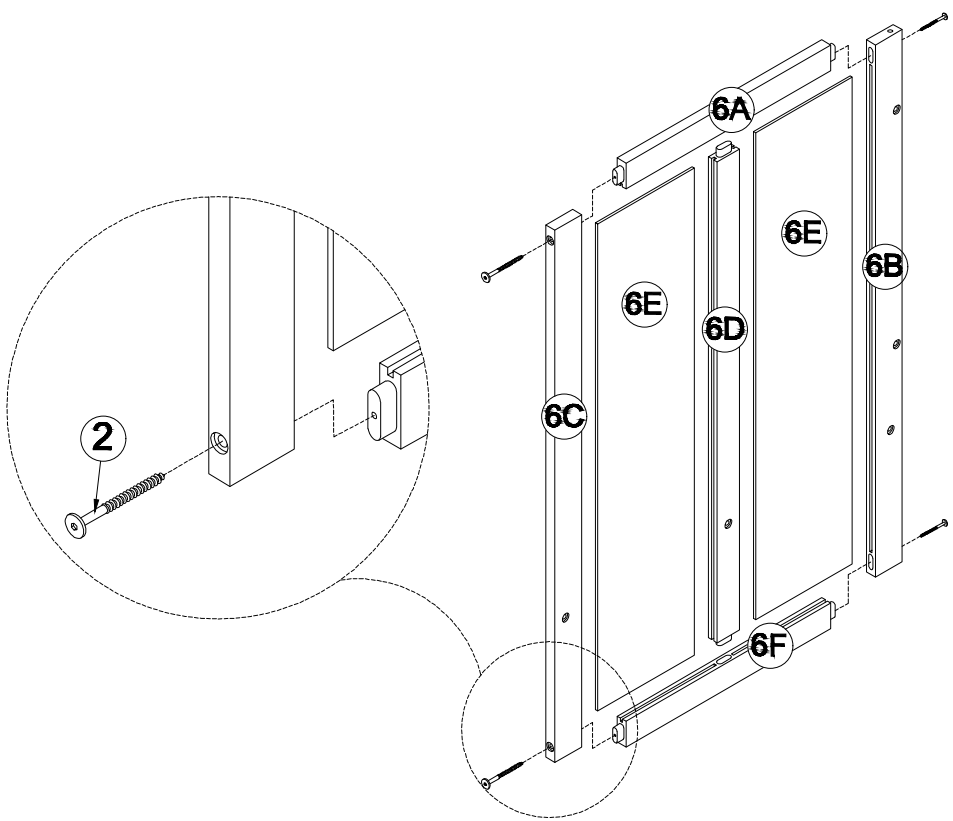
**STEP5:** Following below illustration.

**2**  
**4(pcs)**

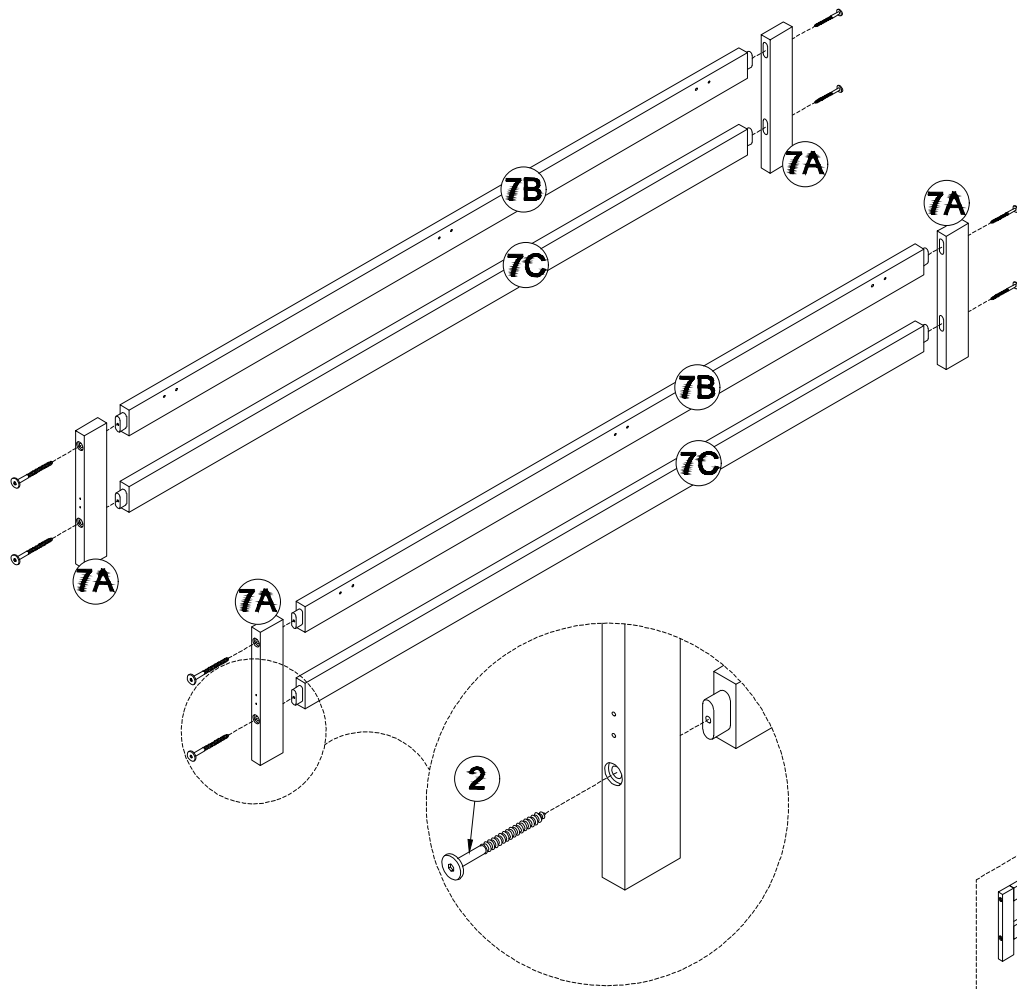


**STEP6:** Following below illustration.

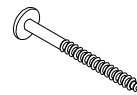
**2**  
**4(pcs)**



# STEP7: Following below illustration.

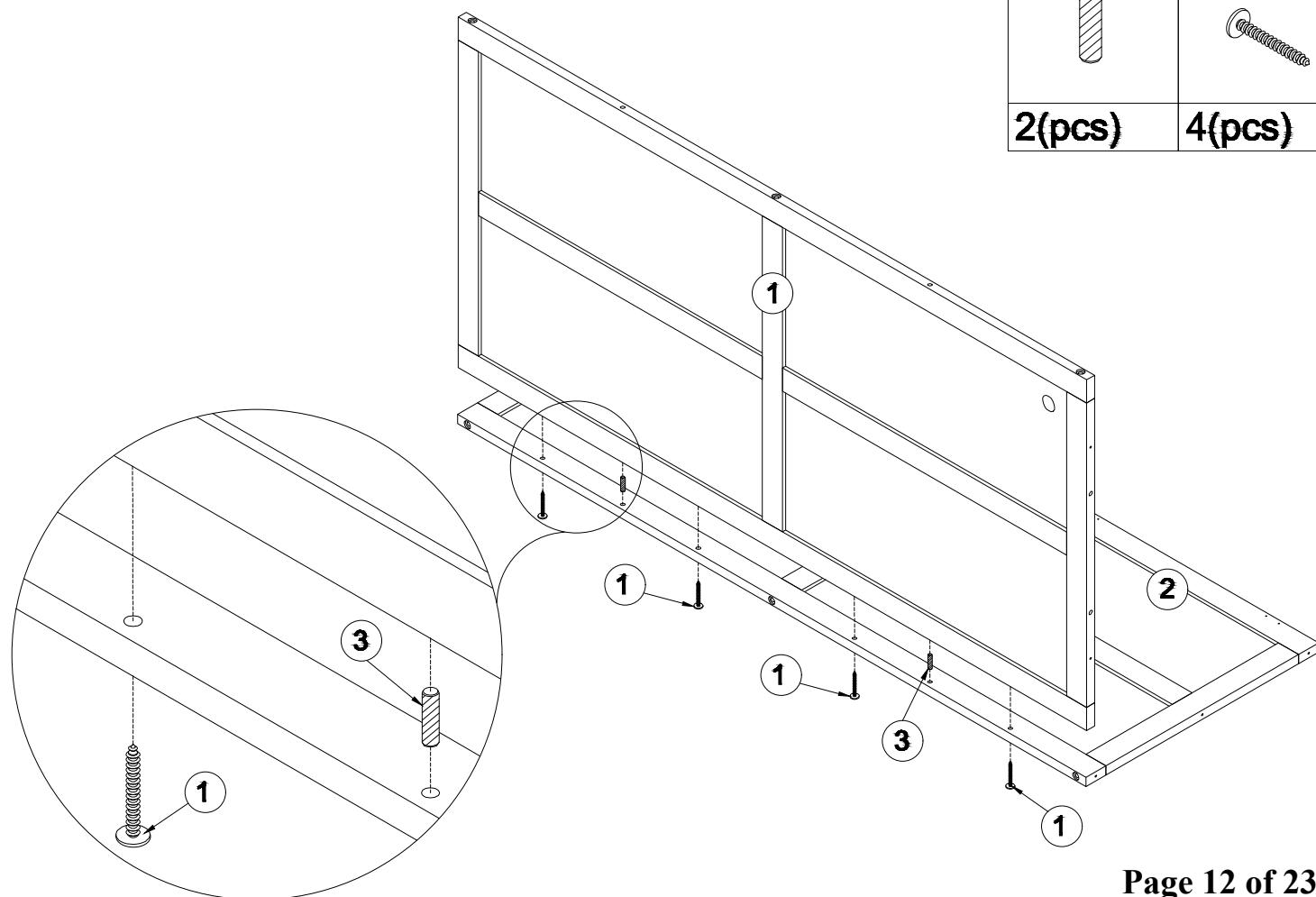


2



8(pcs)

# STEP8: Following below illustration.



3



2(pcs)




1

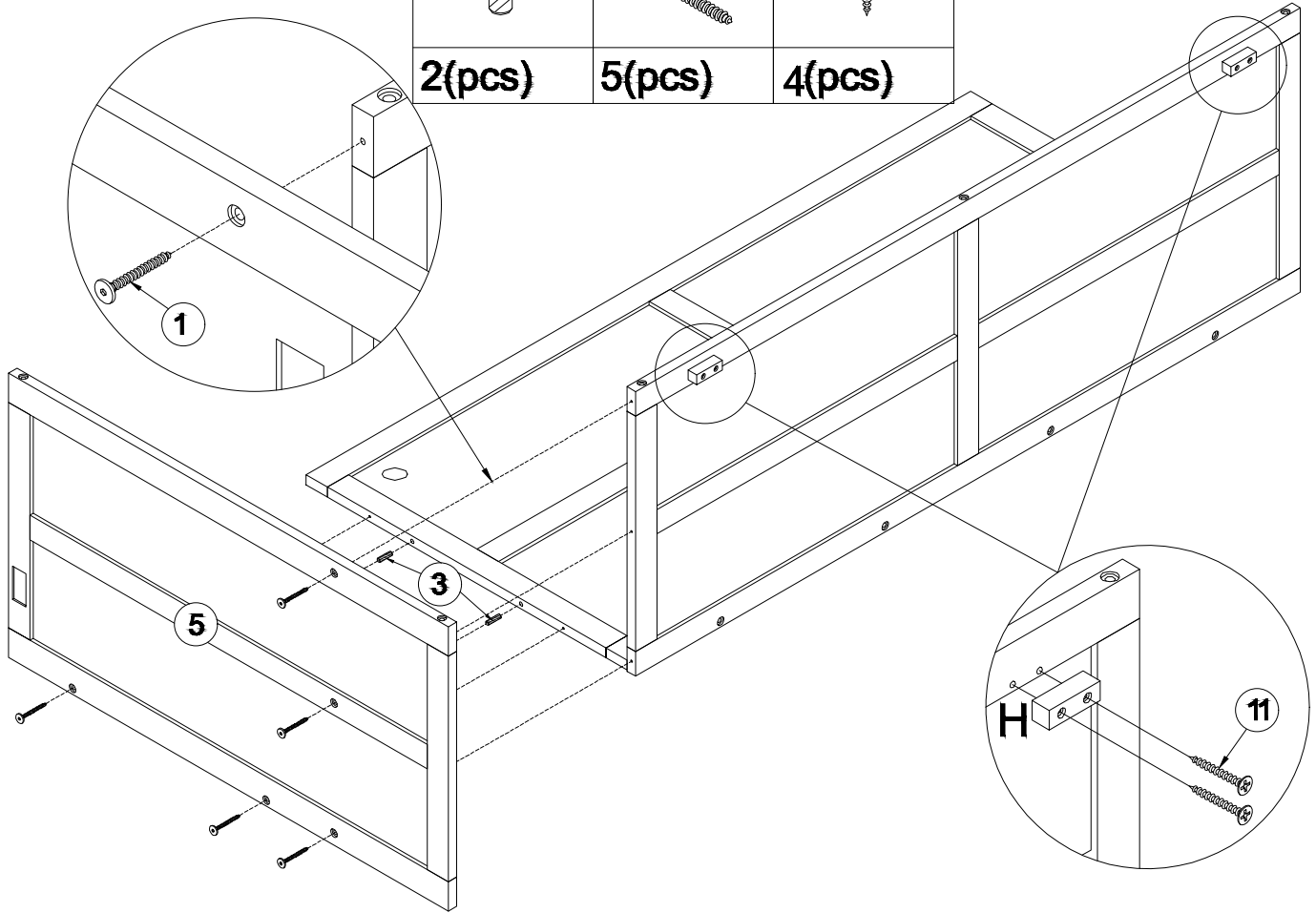


4(pcs)

# STEP9:

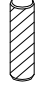

Following below illustration.

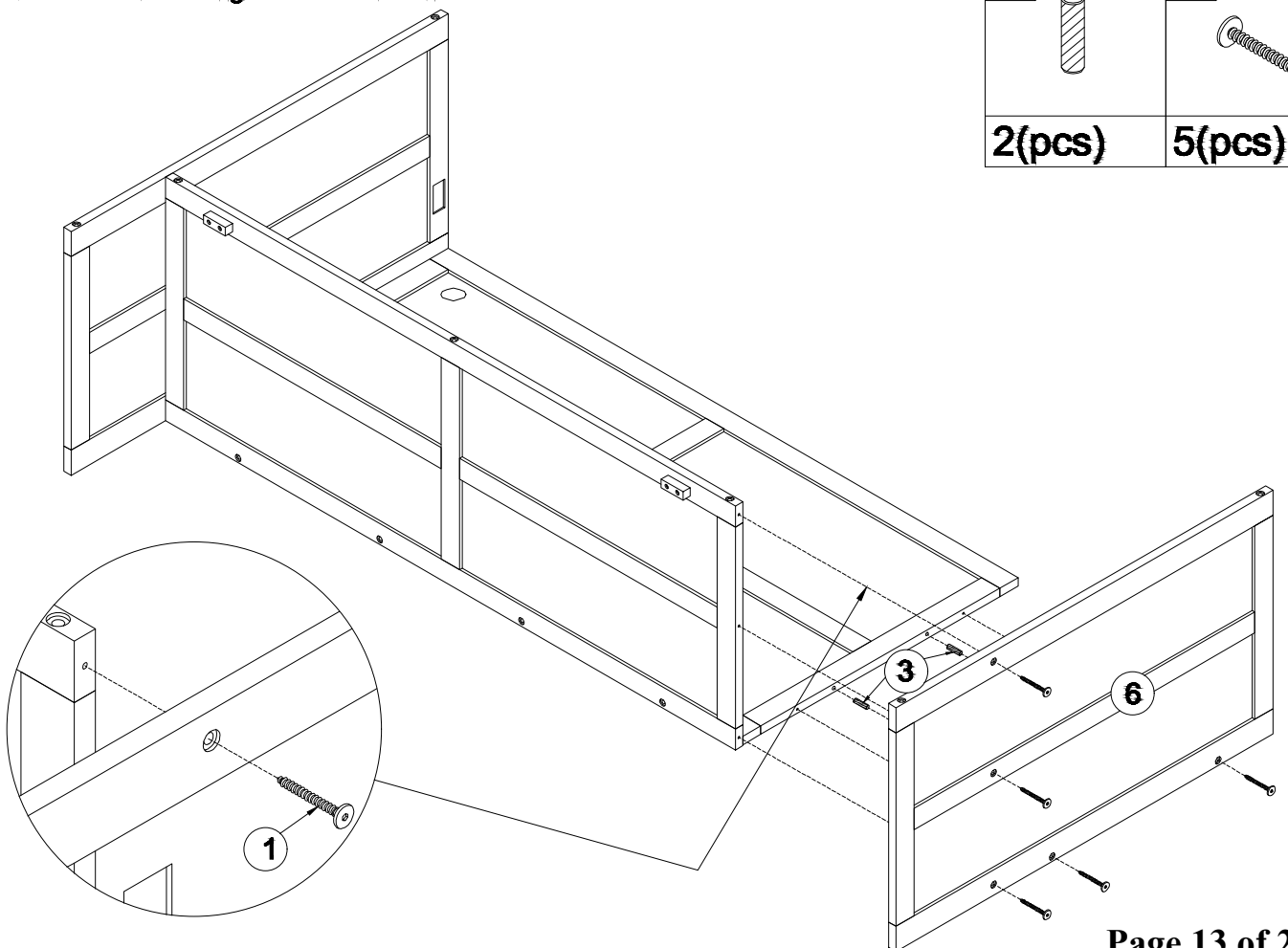
3		1		11	
2(pcs)		5(pcs)		4(pcs)	



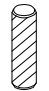
# STEP10:

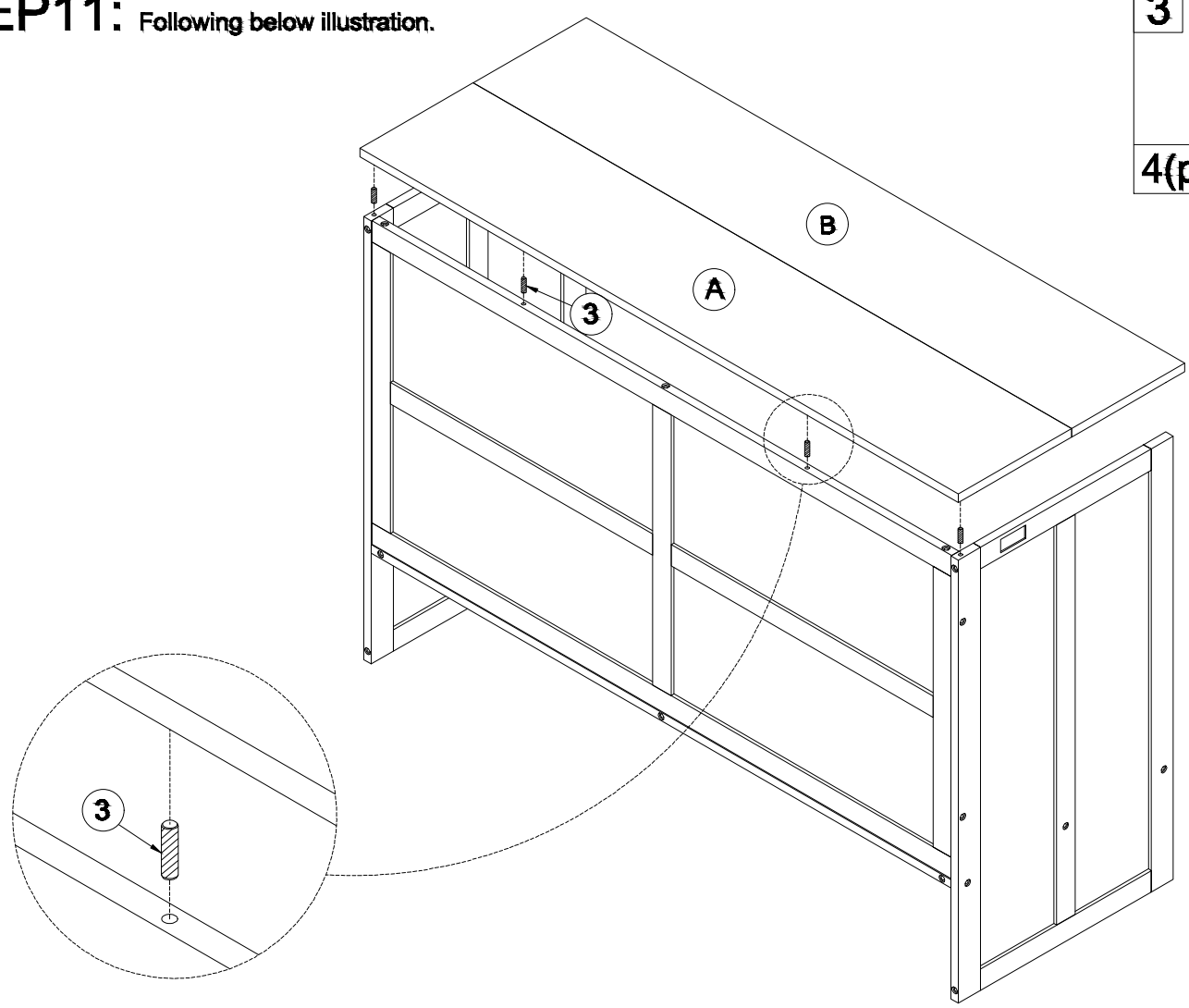
Following below illustration.

3		1	
2(pcs)		5(pcs)	


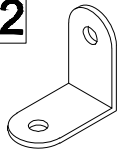


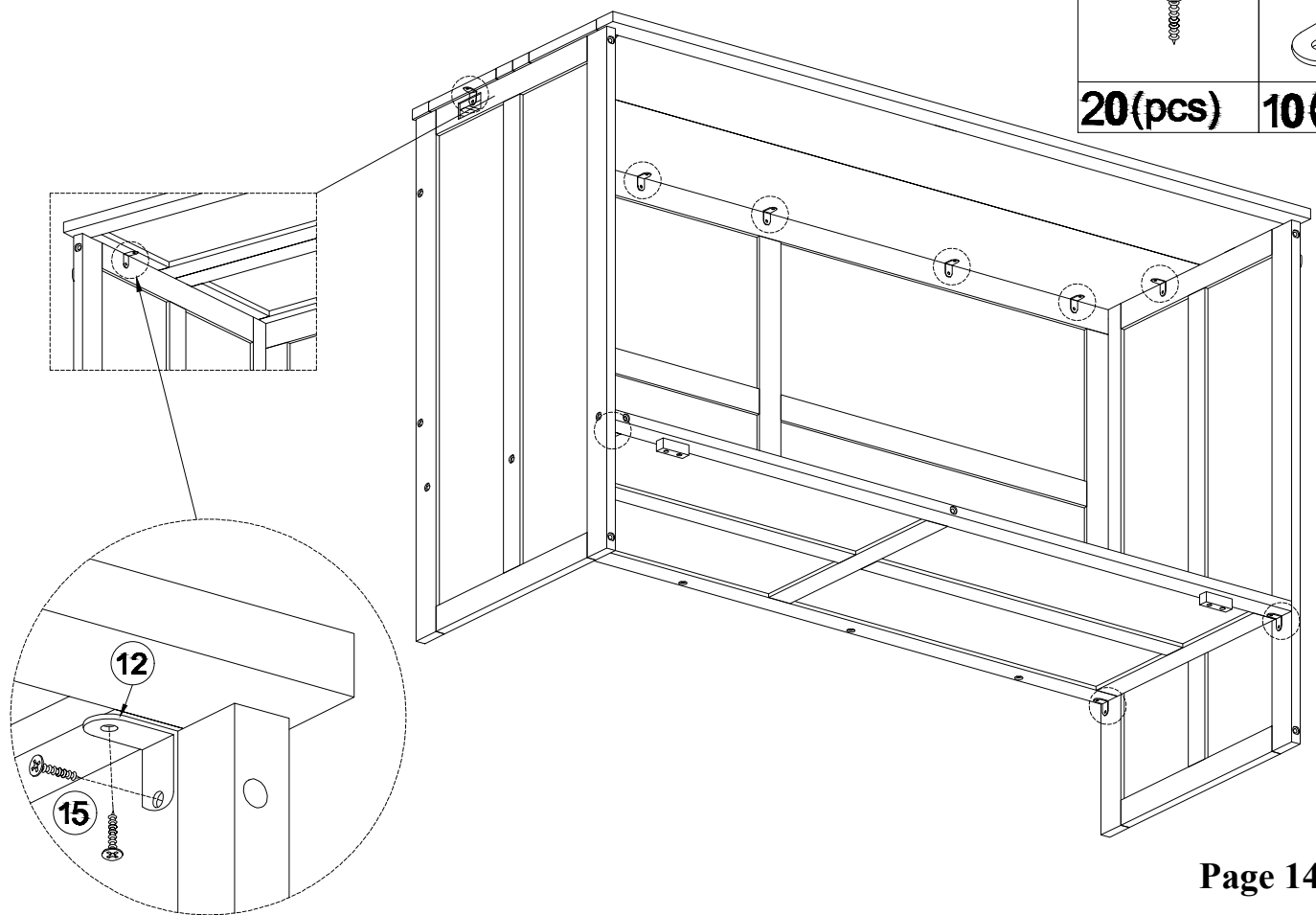
**STEP11:** Following below illustration.

<b>3</b>	
<b>4(pcs)</b>	

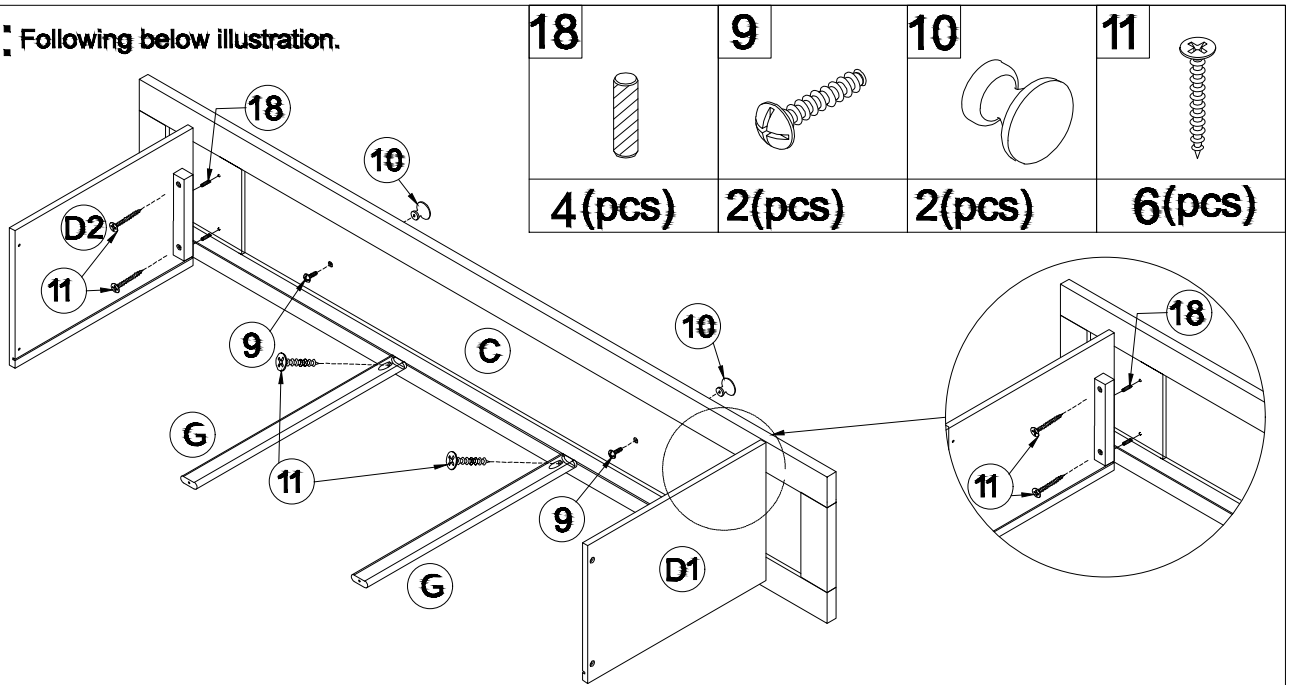


**STEP12:** Following below illustration.

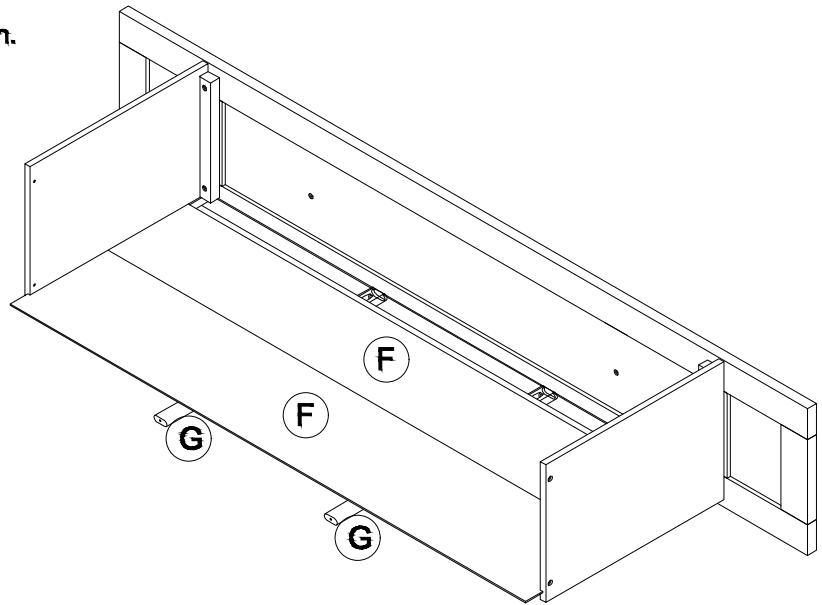
<b>15</b>		<b>12</b>	
<b>20(pcs)</b>		<b>10(pcs)</b>	



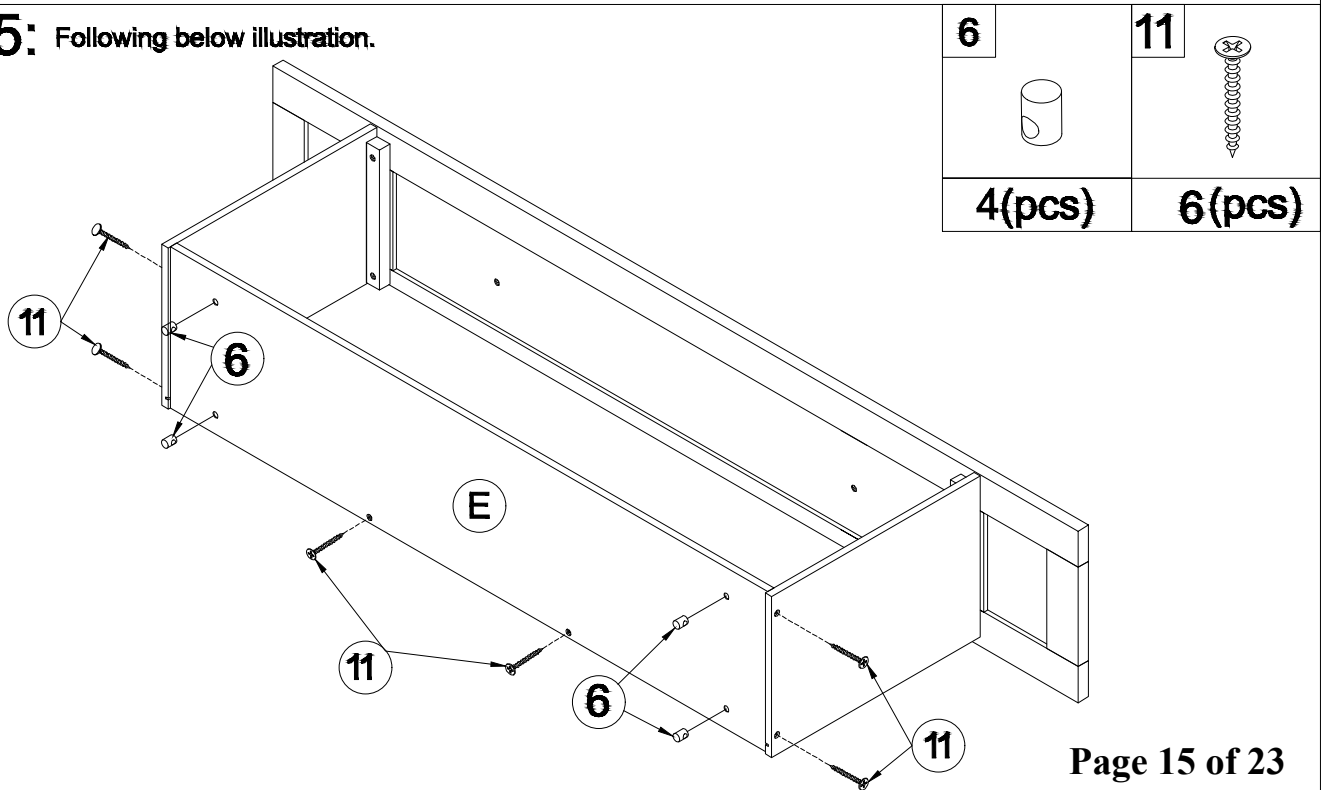
**STEP13:** Following below illustration.




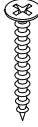
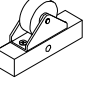
**STEP14:** Following below illustration.

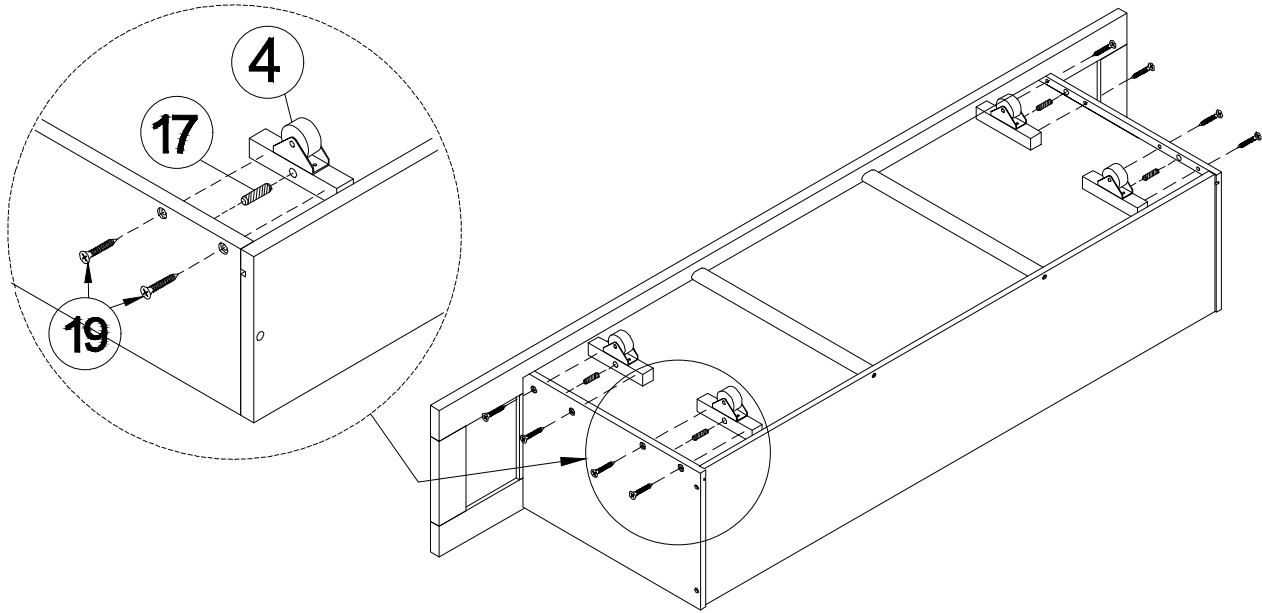


**STEP15:** Following below illustration.

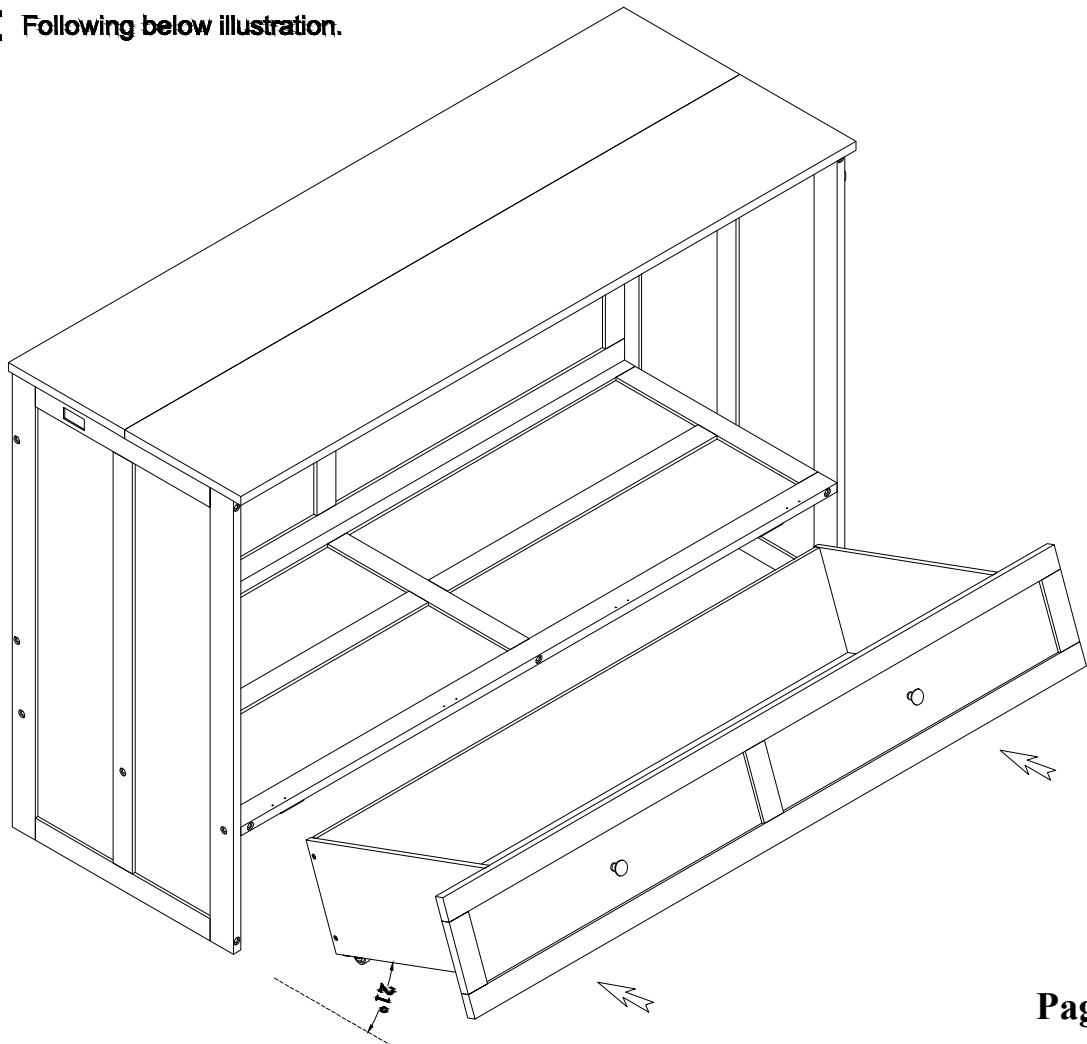


**STEP16:** Following below illustration.

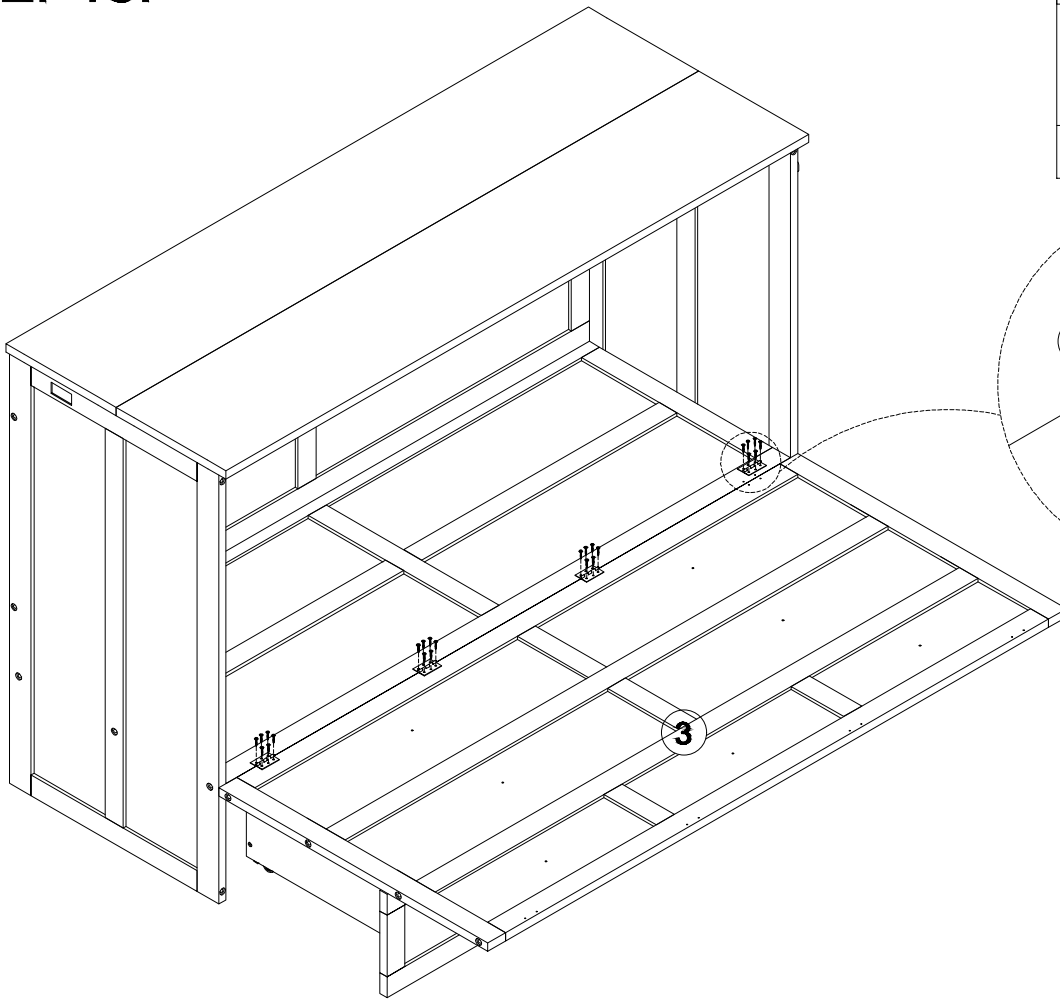
17	19	4
		
4(pcs)	8(pcs)	4(pcs)

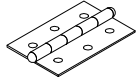



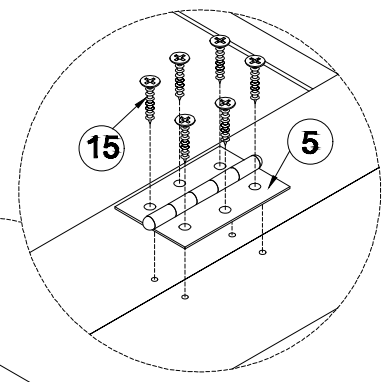
**STEP17:** Following below illustration.



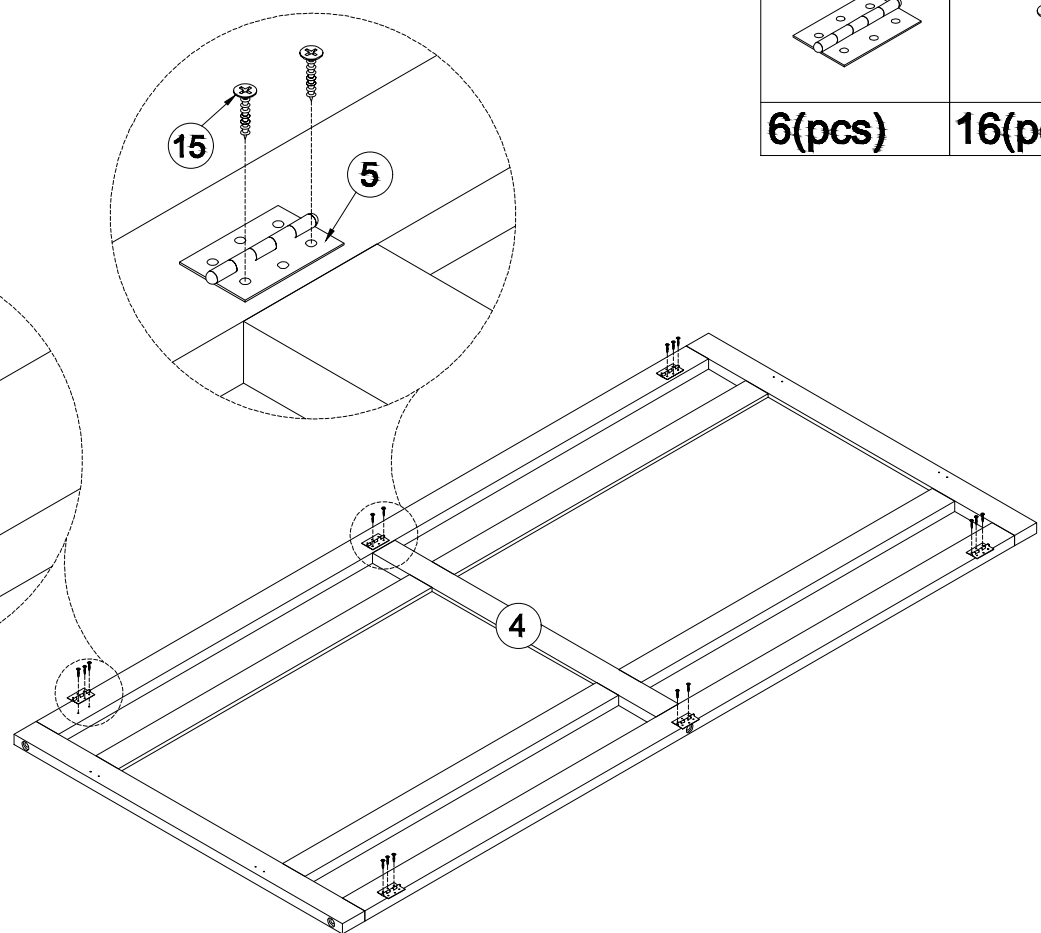
# STEP18: Following below illustration.

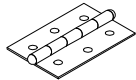



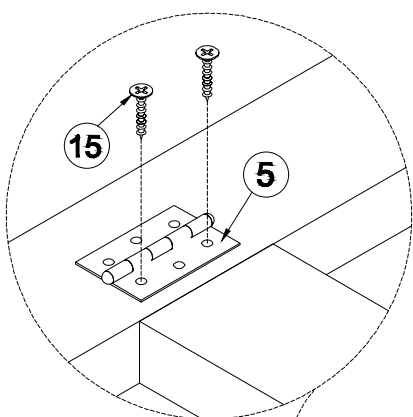
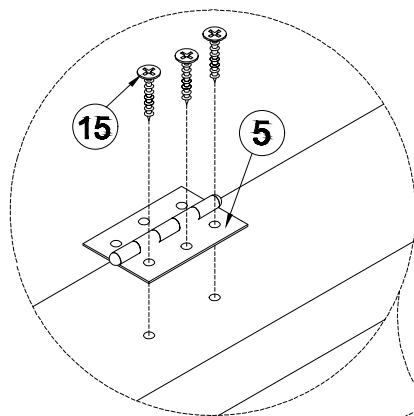
<b>5</b>	<b>15</b>
	
<b>4(pcs)</b>	<b>24(pcs)</b>



# STEP19: Following below illustration.



<b>5</b>	<b>15</b>
	
<b>6(pcs)</b>	<b>16(pcs)</b>

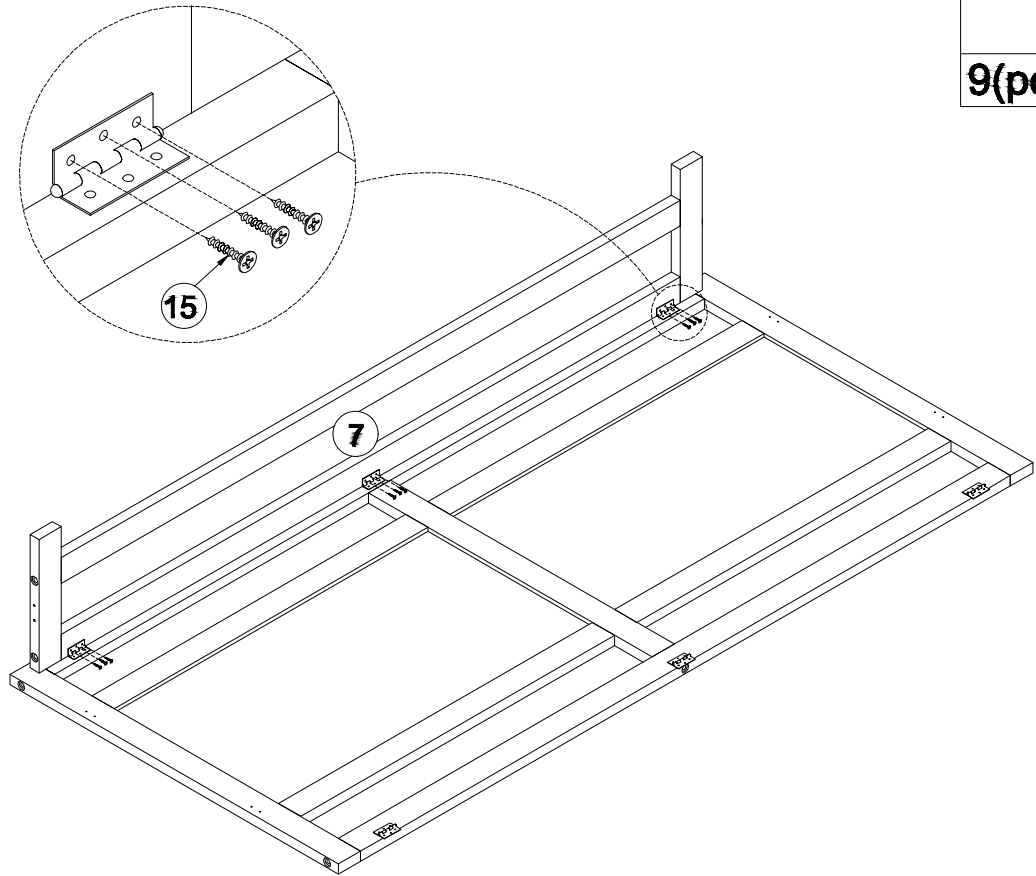


**STEP20:** Following below illustration.

15



9(pcs)

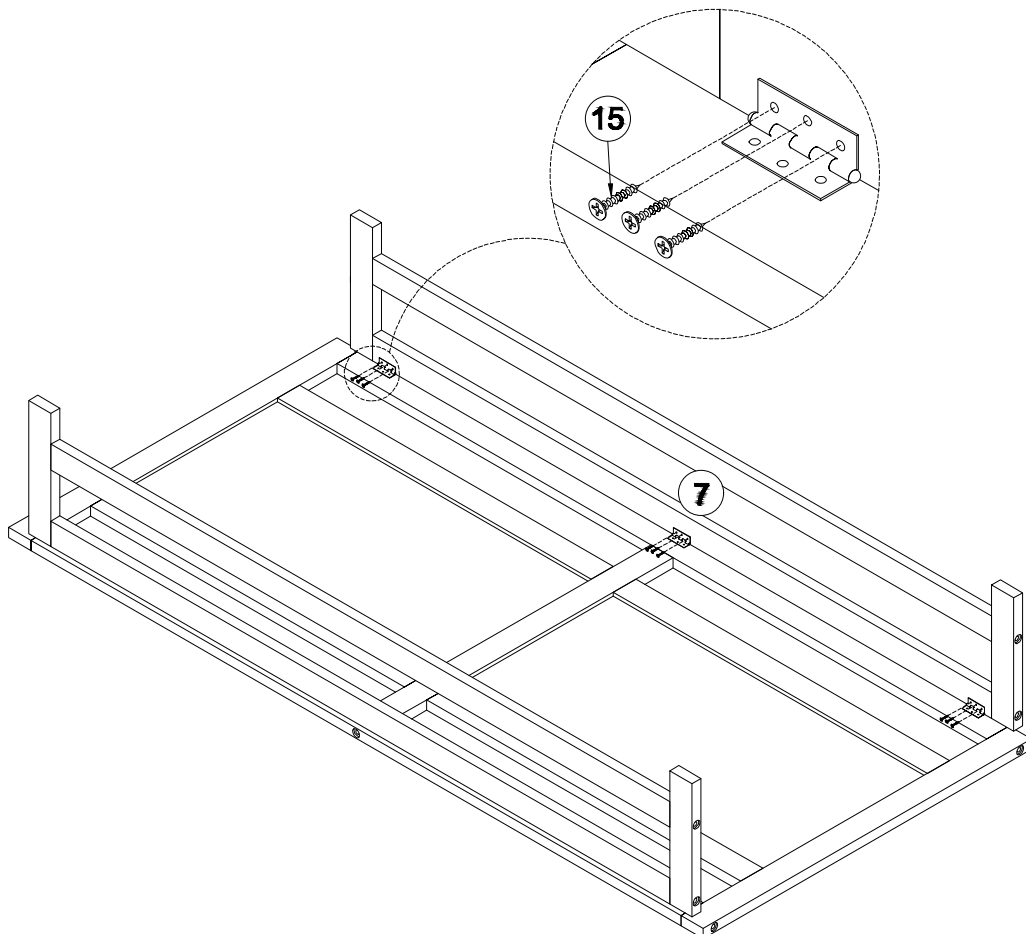


**STEP21:** Following below illustration.

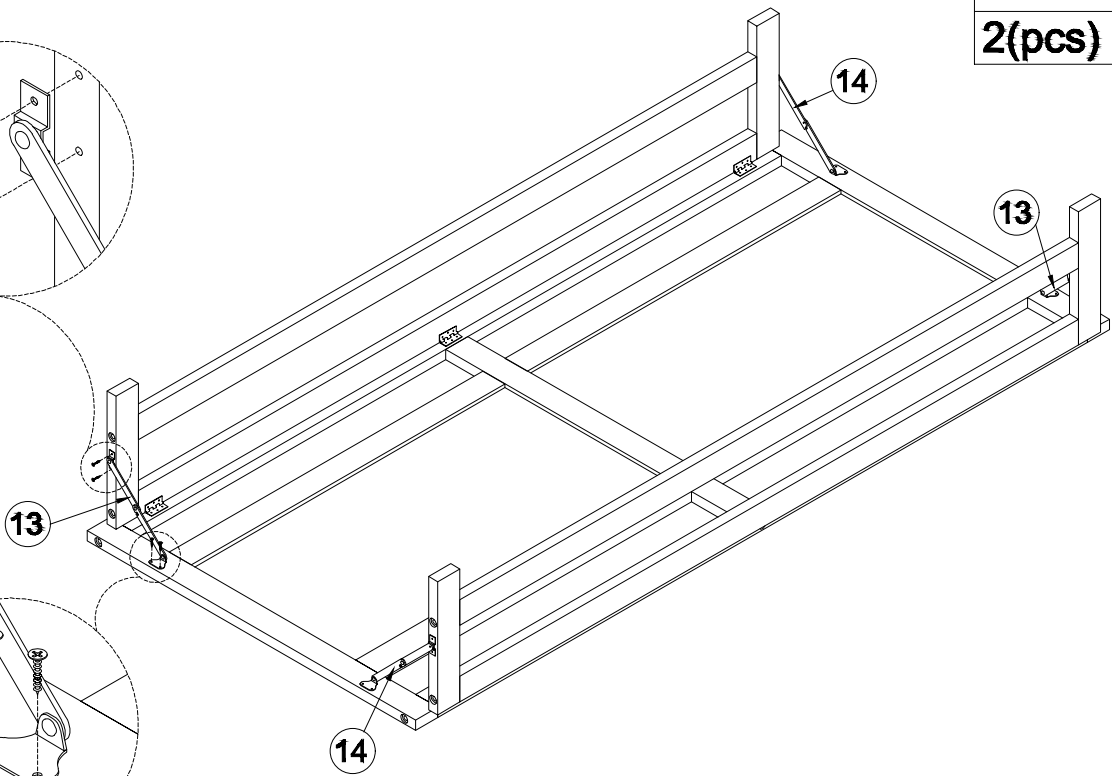
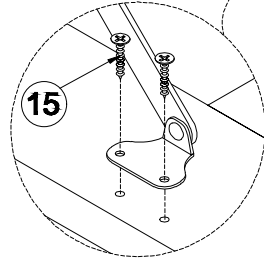
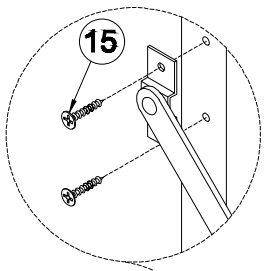
15



9(pcs)

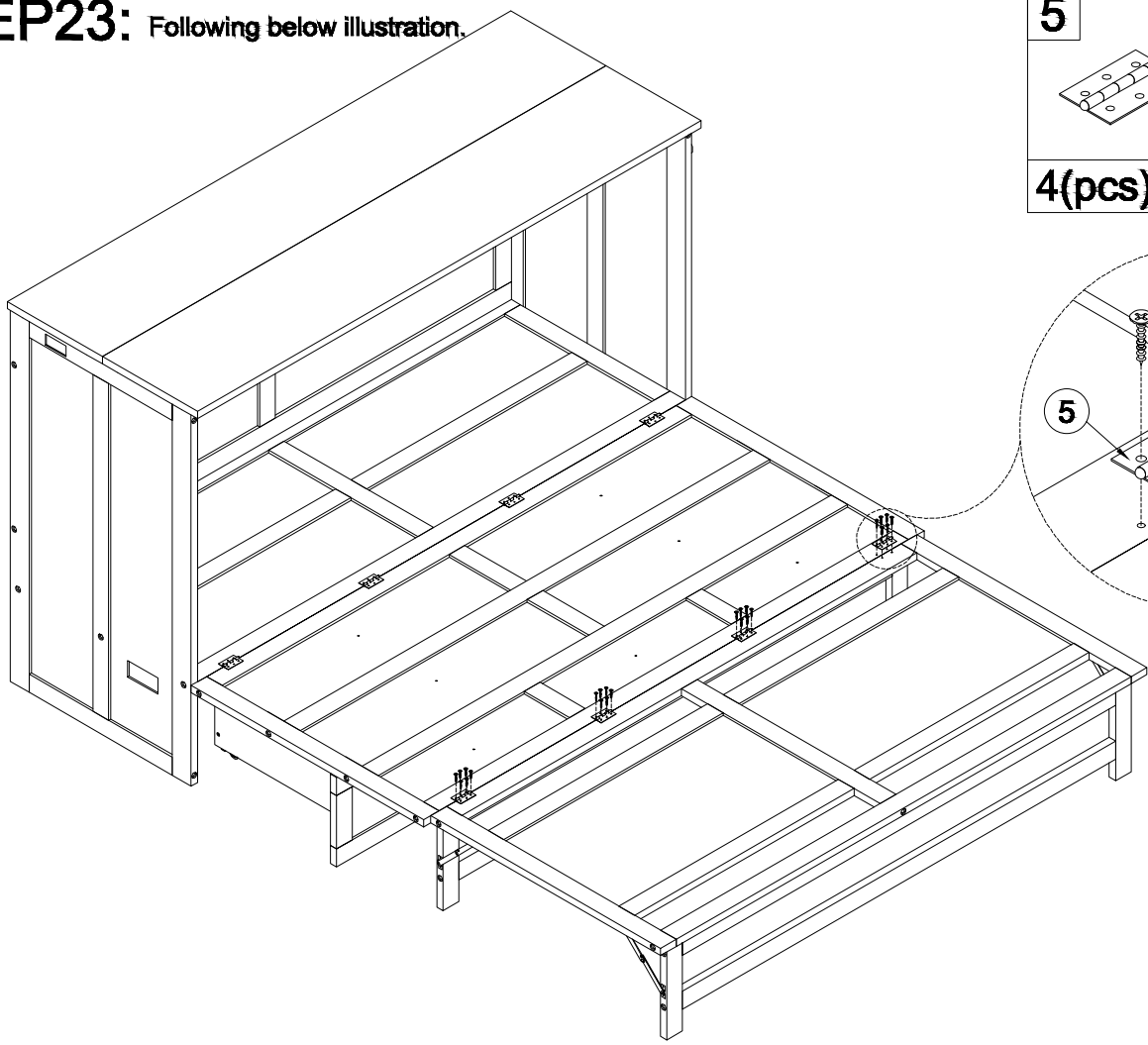


**STEP22:** Following below illustration.

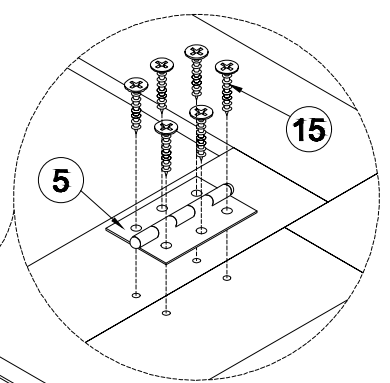


<b>13</b>	<b>14</b>
<b>2(pcs)</b>	<b>2(pcs)</b>
	<b>15</b>
	<b>16(pcs)</b>

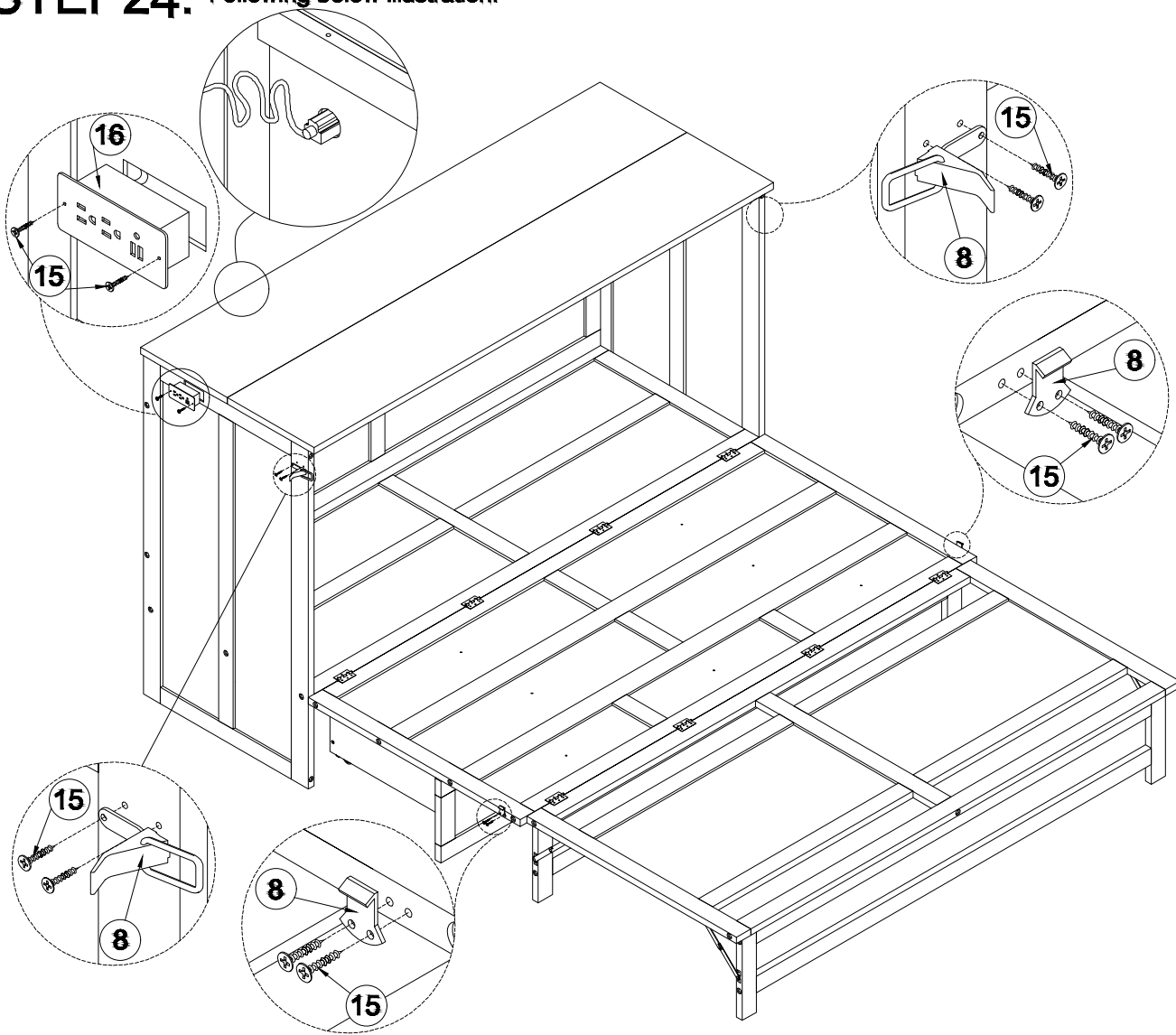
**STEP23:** Following below illustration.



<b>5</b>	<b>15</b>
<b>4(pcs)</b>	<b>24(pcs)</b>

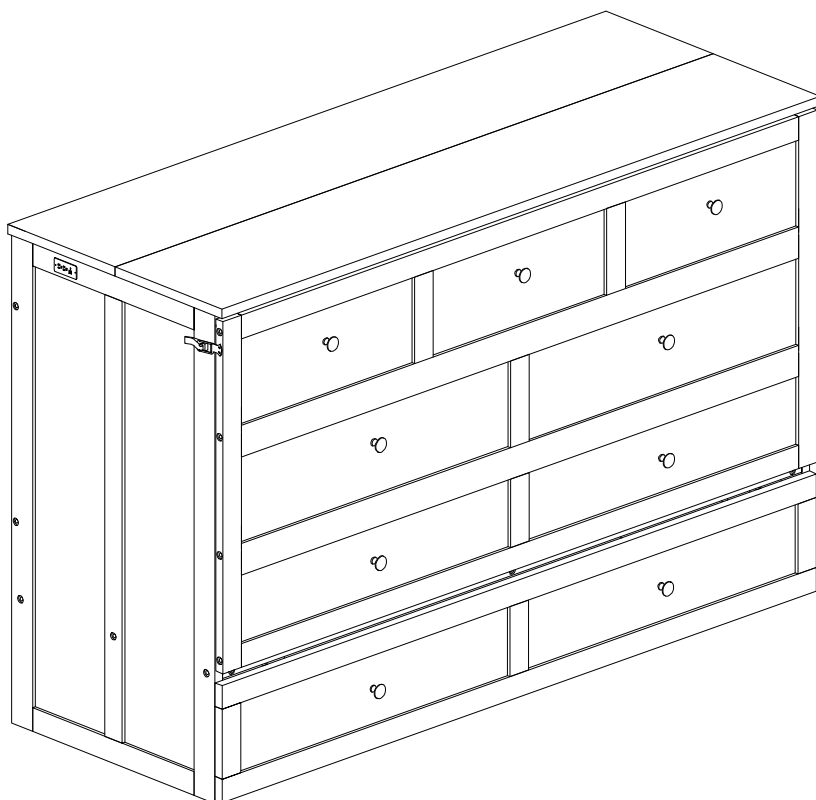


**STEP 24:** Following below illustration.

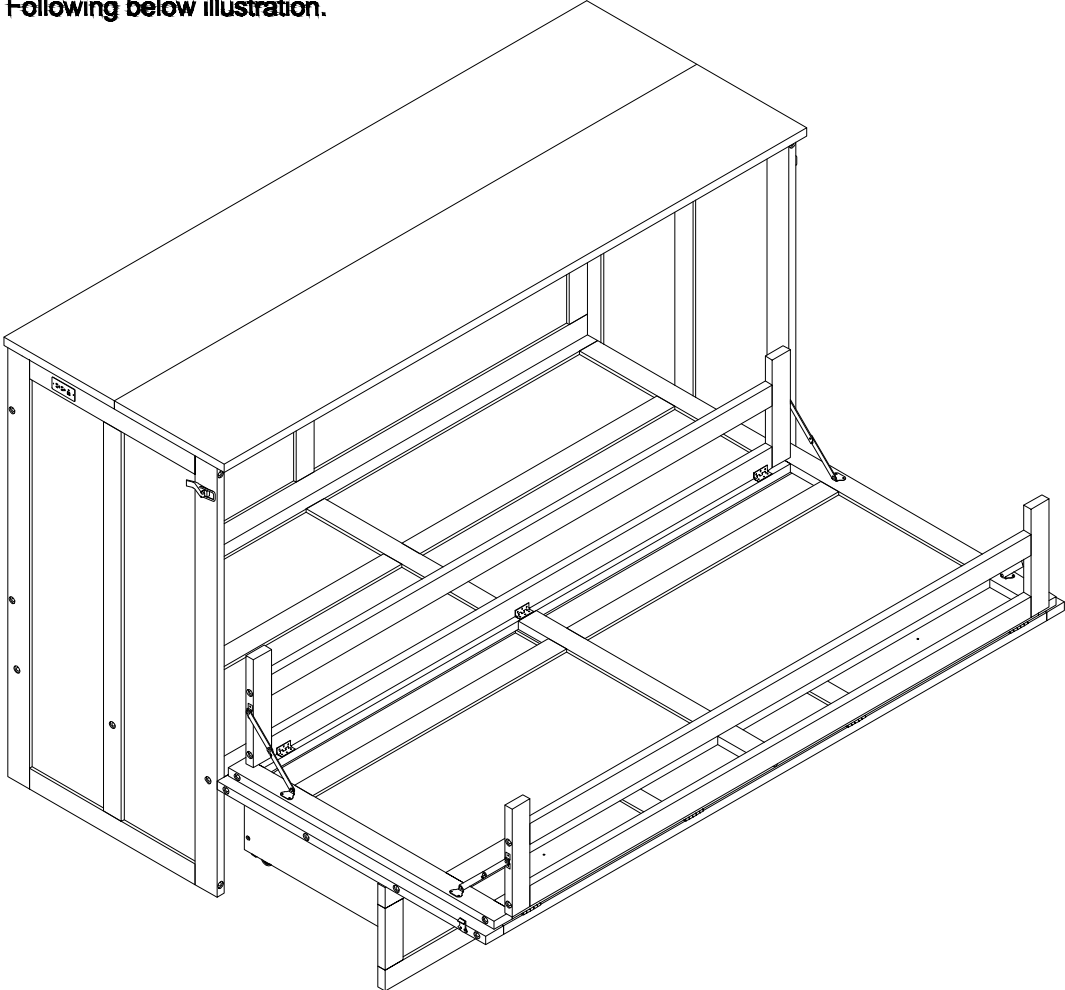


<b>16</b>	
<b>1(pc)</b>	
<b>8</b>	
<b>2(sets)</b>	
<b>15</b>	
<b>10(pcs)</b>	

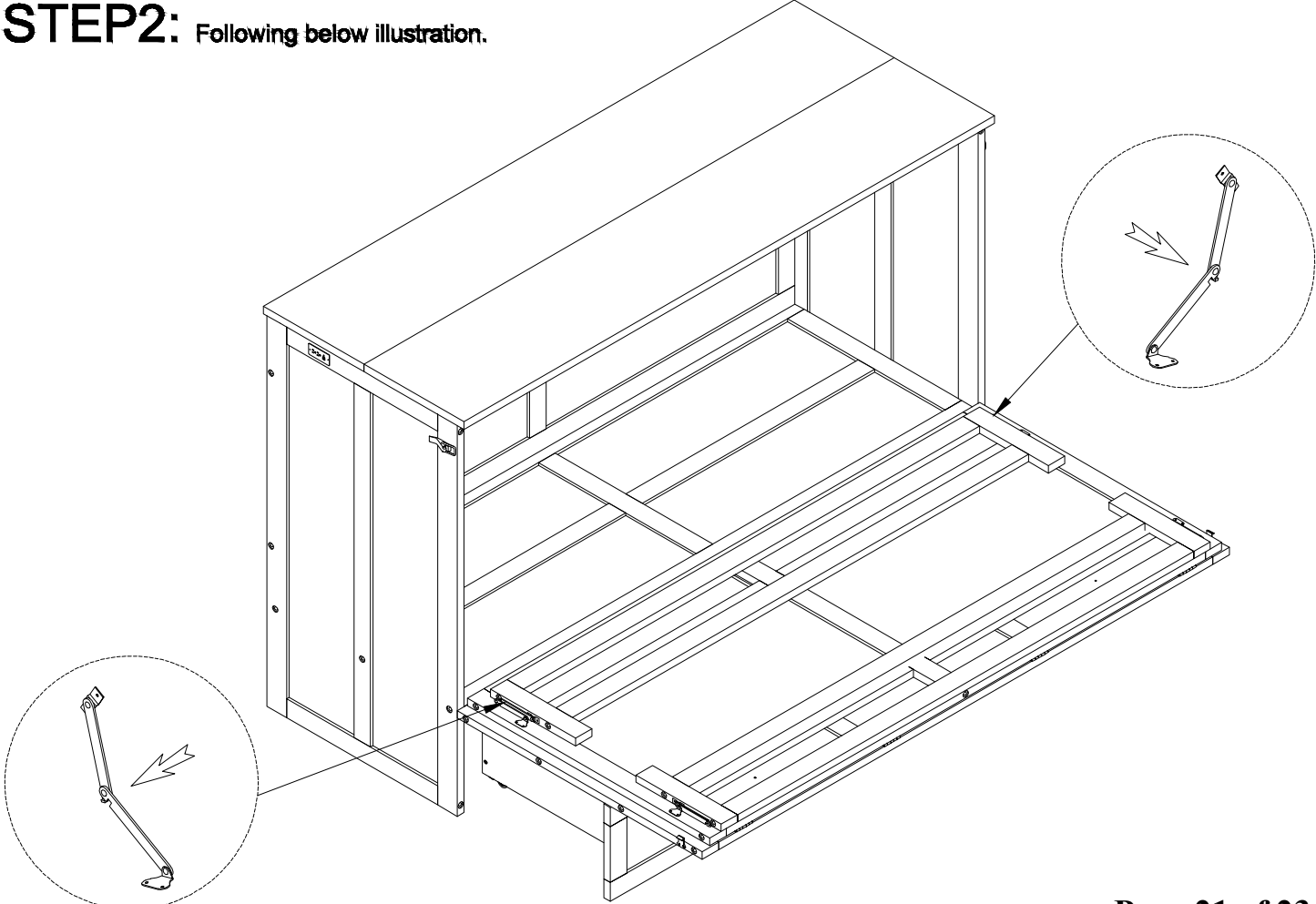
## OPTION 2



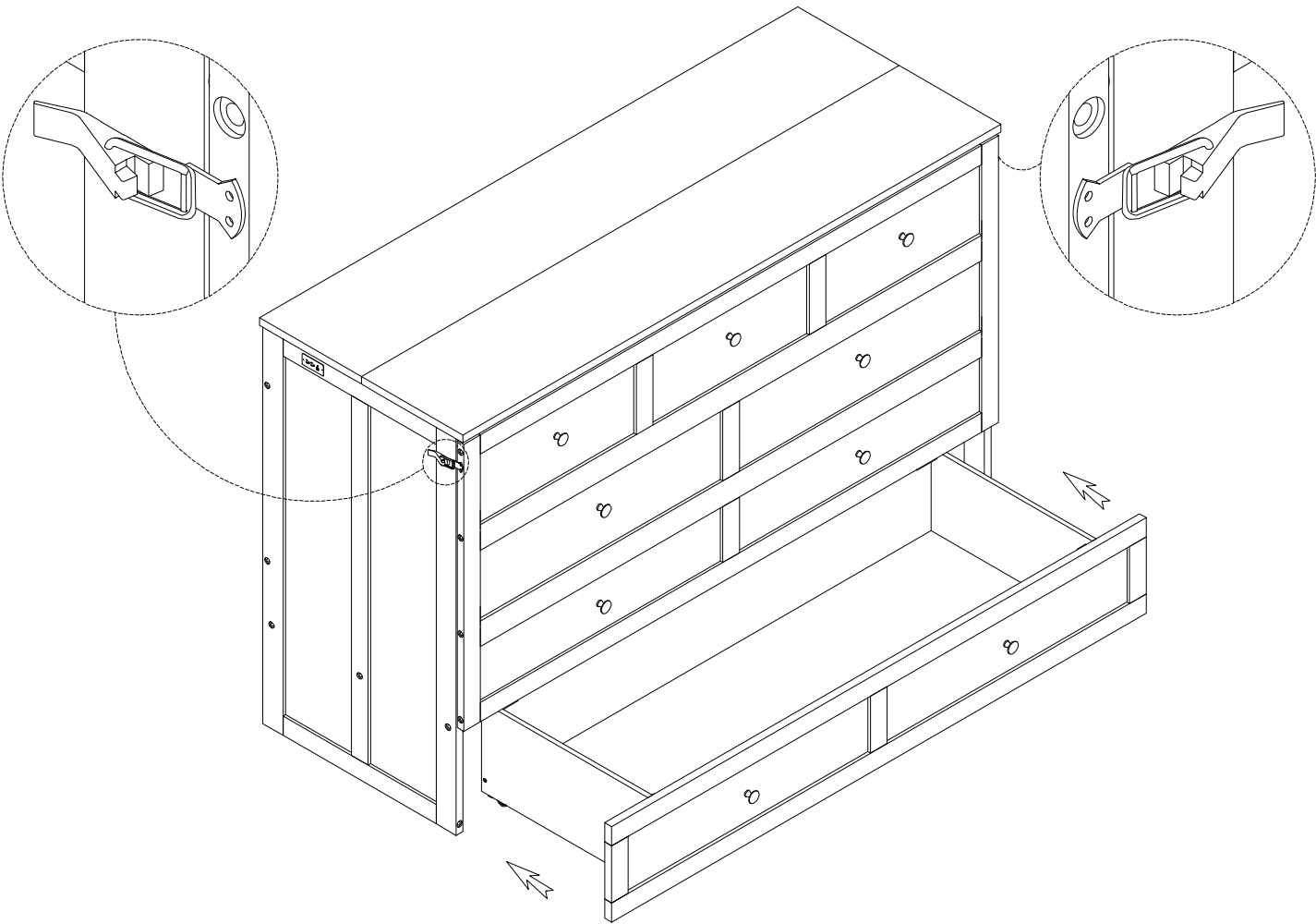
**STEP1:** Following below illustration.



**STEP2:** Following below illustration.



**STEP 3:** Following below illustration.



# Finish

