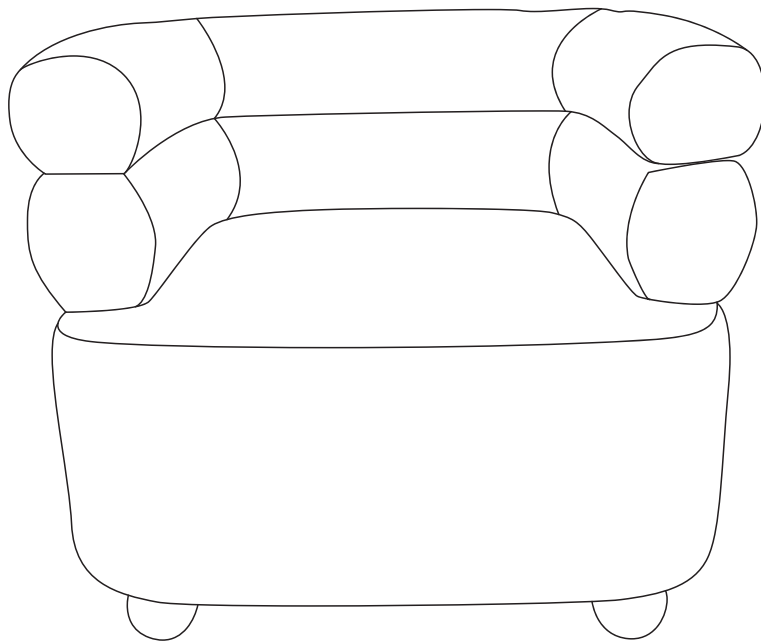


# Upholstered Ivory Barrel Chair



## ASSEMBLY INSTRUCTIONS



**30** min. assembly

**2** person

\*The estimated assembly time may vary depending on the individual.

# Hey, there

Now is assembly time!

Deeeeeeep breathe.... and again....

Tools ready,

Easy peasy!

## Estimated



**30** min. assembly

**2** person

## Tools Required

- Allen Wrench (included)

**important:** *Cautious when you use power tools*

Thank you for purchasing this product.

This product has been manufactured with the highest standards of safety and quality.

### **PLEASE READ ALL INSTRUCTIONS CAREFULLY BEFORE ASSEMBLY.**

Unpack all parts from the packaging inside the carton to ensure there are no missing or damaged parts. Lay out all the chair parts on a clean, flat, and soft surface to prevent scratches. Refer to the steps provided as assembling guide.

Do not attempt to assemble or use the product if any parts are missing or damaged.

---

## **REMINDERS**

### **SAFE USAGE IS KEY**

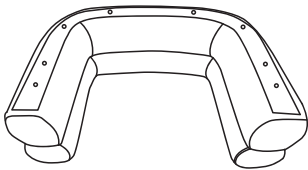
Your well-being is our top priority when you use our product. Please prioritize your safety by diligently following the assembly guidelines and inspecting the product carefully both when it arrives and before each use.

### **DO NOT MODIFY**

Our products undergo rigorous testing to ensure they meet established safety standards before being released for sale.

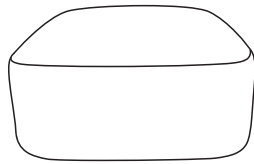
# What's in the box

## Parts



**A** X 1

back armrest



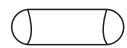
**B** X 1

seat



**C** X 4

foot



**D** X 2

bolt

## Hardware & Accessory



**E** X 6

M8X80MM



**F** X 6

M8X22M



**G** X 1

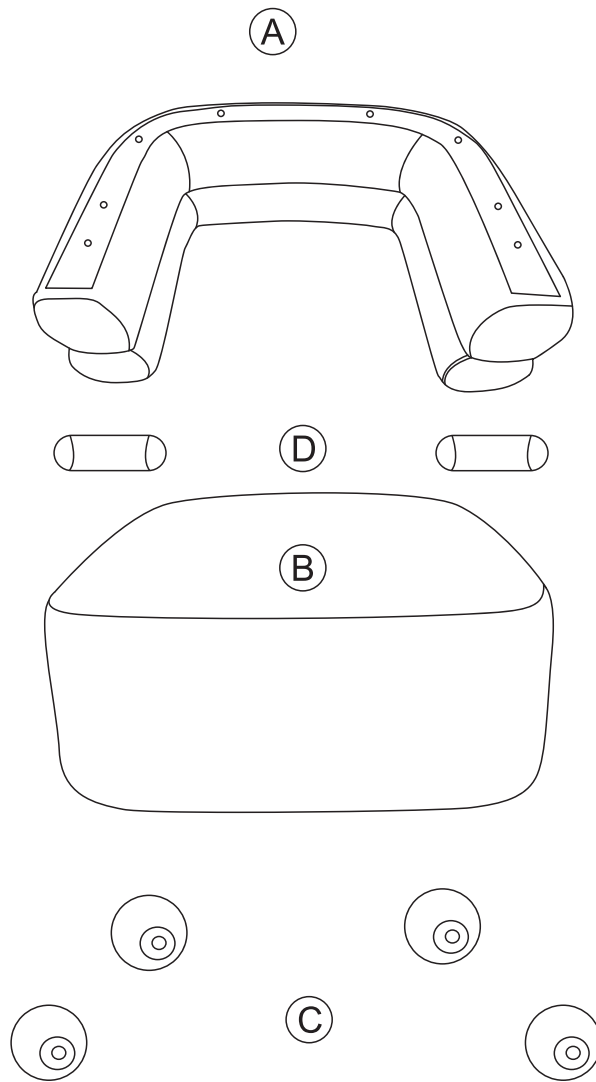
M6



**H** X 4+2

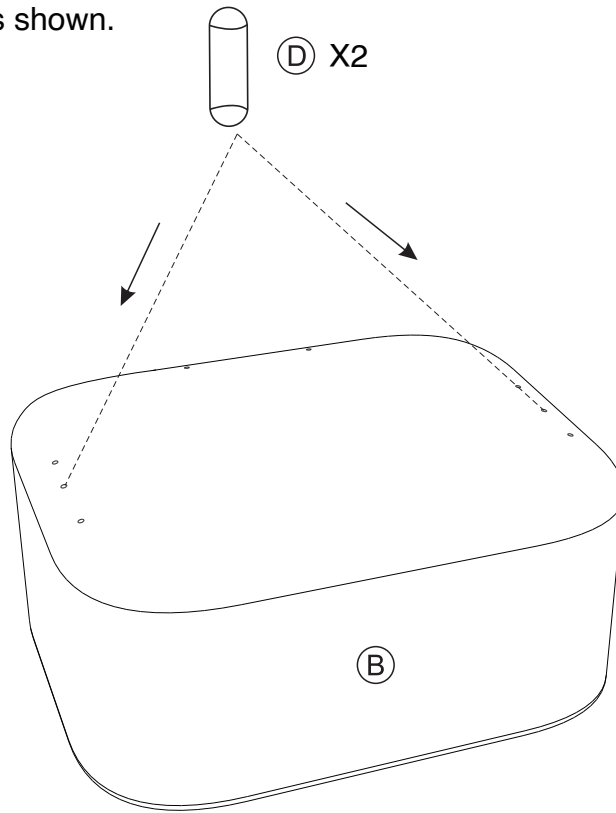
M8

# Assembly



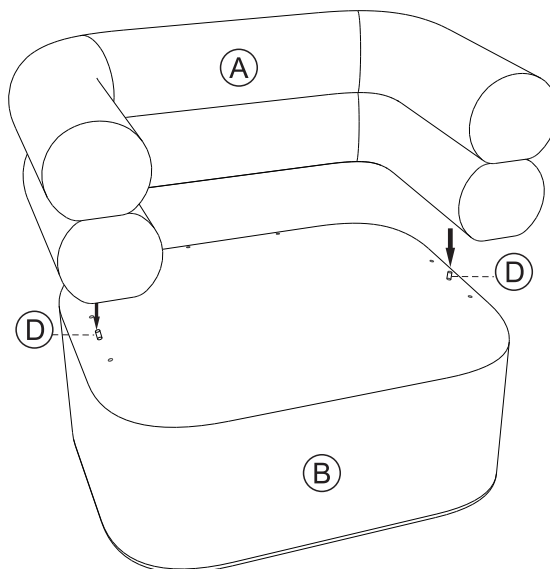
# Step 1

Insert (D) into (B) as shown.






# Step 2

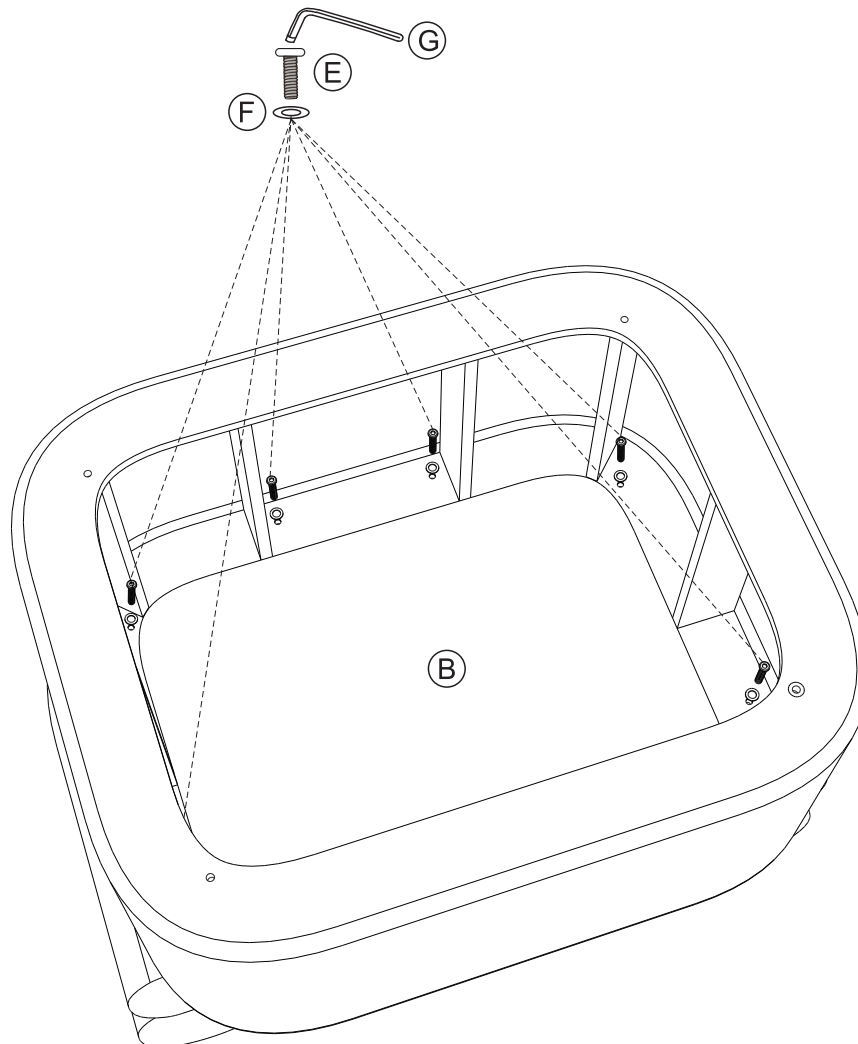
Connect the Parts (A) to the Part (D) as shown.



# Step 3

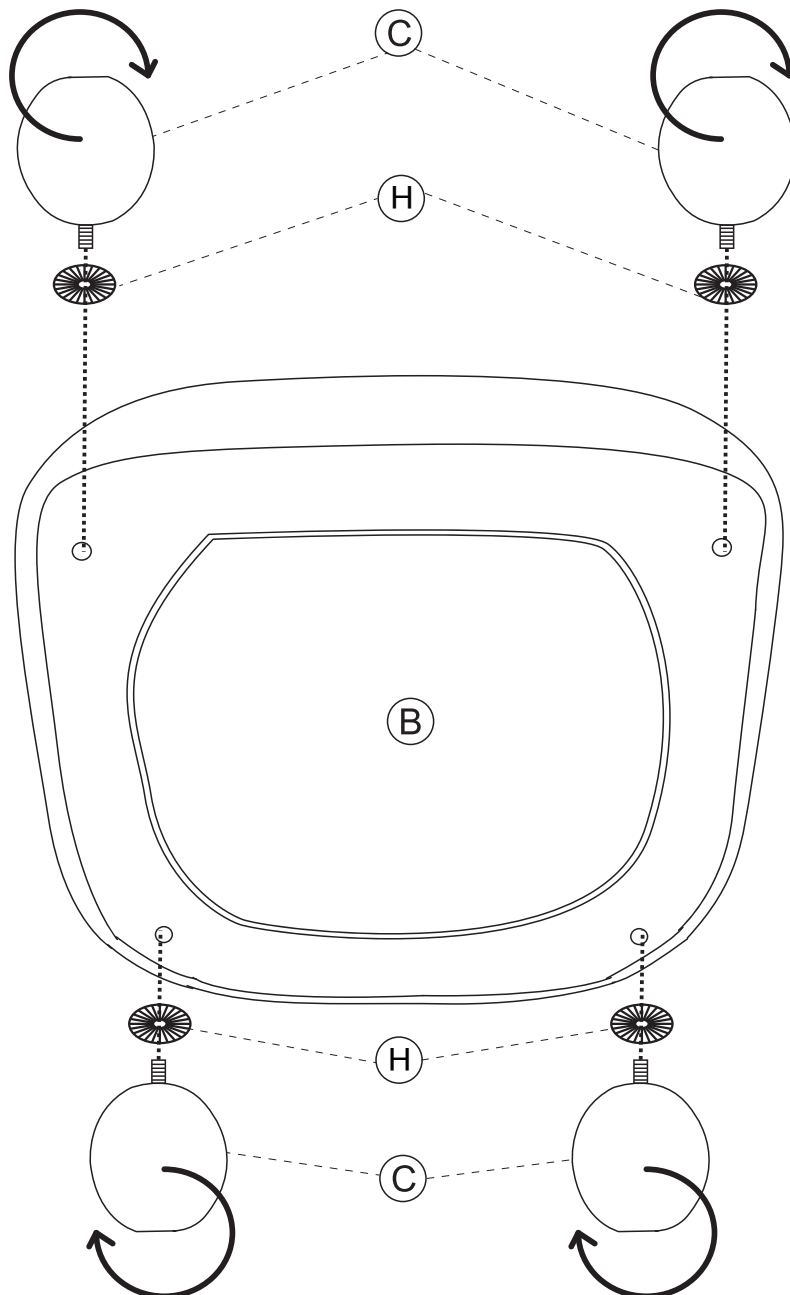
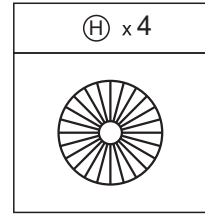
Screw hardware (E&F) with allen wrench (G) as shown.

Ⓔ x6	Ⓕ x6	Ⓖ x1
		
M8X80MM	M8X22MM	M6

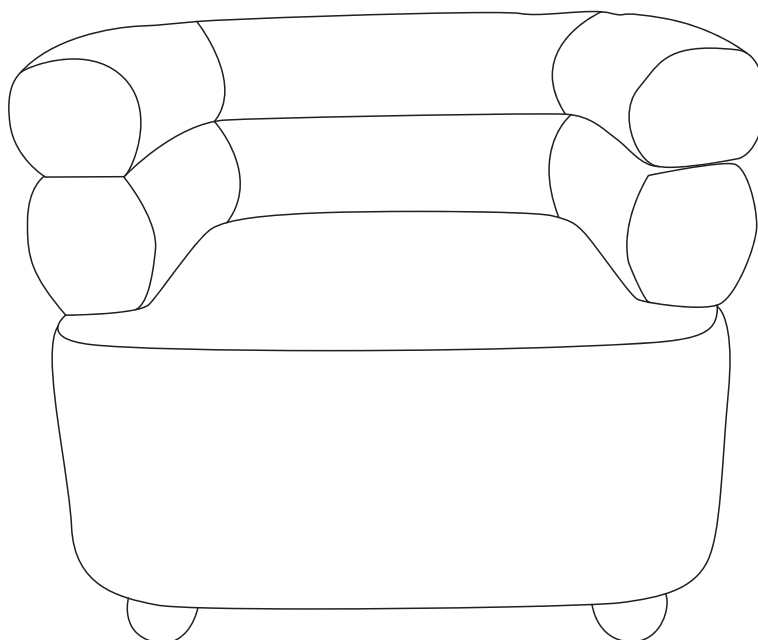


# Step 4

Screw legs (C) to part (B) with hardware (H) as shown.



Now enjoy.



## Warning

DO NOT stand on the chair as this may damage the product and cause serious bodily injury.

# Something not right?

We are always here to help.

## **We make mistakes like every human does.**

Though we always strive to provide the best possible products at competitive prices and the best service in the industry, it's not possible to completely eliminate mistakes. If you experience any dissatisfaction, feel free to contact us immediately. Our in-house customer care team will respond ASAP.

## **Things to do to expedite the process**

- Have your order# ready
- Take photos/videos to help us better identify the issues
- DO NOT throw away the packaging