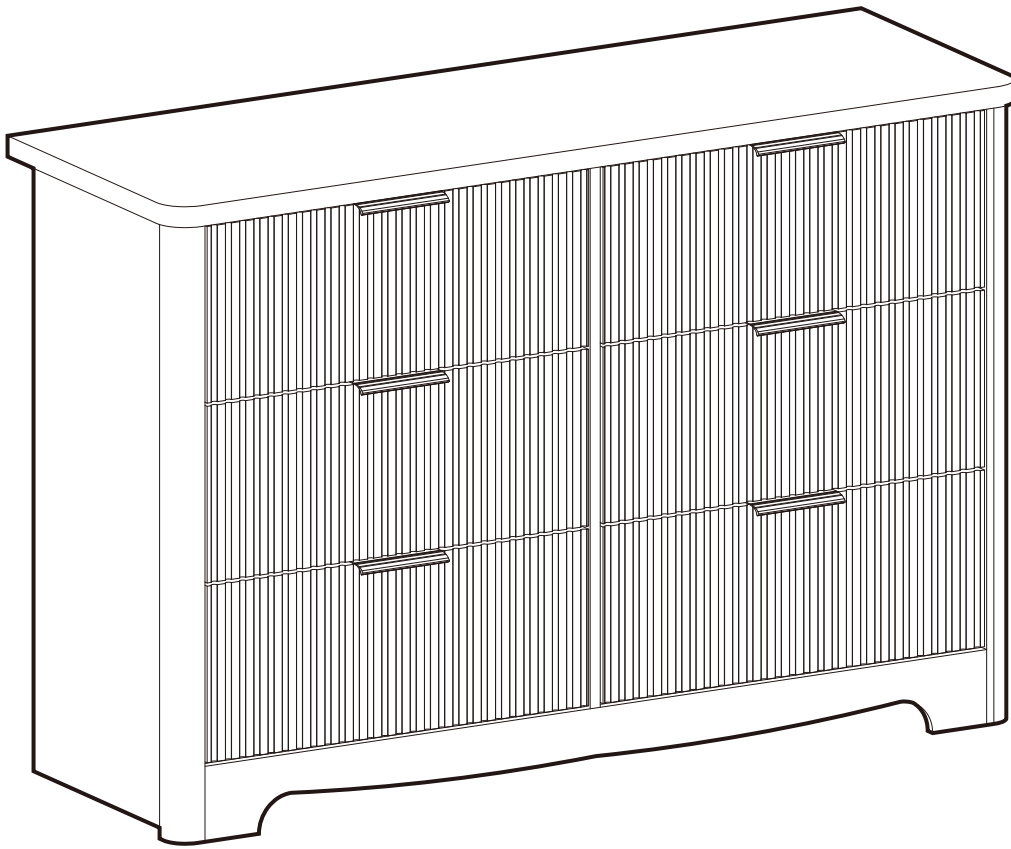


INSTRUCTION MANUAL

Rev00

PIDC02WN/PIDC02N



Dresser

 877-201-4016 Mon-Fri 8am - 8pm (CST)

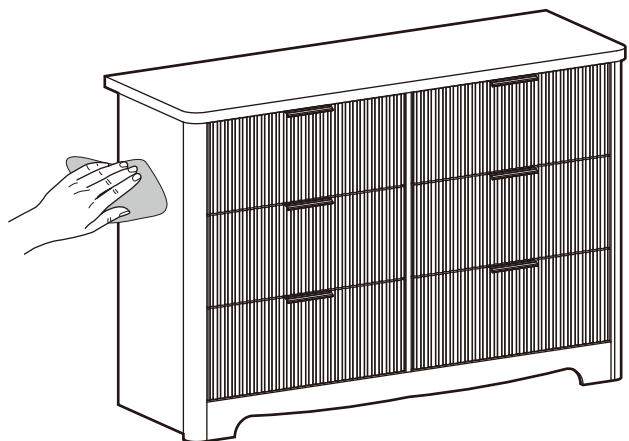
 help_service_center@outlook.com

⚠ Important Safety Information

- Please carefully read all instructions before attempting installation. If you do not understand the instructions or have any questions or concerns, please call technical support or email customer service.
- Before starting assembly, verify all parts are included and undamaged. Do not use damaged or defective parts. If you require replacement parts, please call technical support or email customer service.
- This product contains small parts that may pose a choking hazard.
- Avoid potential injuries and property damage that may be caused by furniture tip-over.
- Do not place a TV or other heavy objects on the top of this product.
- To avoid instability, place heaviest items in the lowest drawers, and never open more than one drawer at a time.
- Do not allow anyone to stand on top of this product.
- Never allow children to climb or hang on the product. To avoid head injury, do not allow children to play underneath open drawers.
- Due to the absence of drawer stops, never allow children to pull the drawer out, which may lead to the drawer falling and causing injury.
- In order to prevent this product from tipping over, it must be used with the wall attachment device provided. Use of tip-over restraints may only reduce, but not eliminate the risk of tip-over.
- Do not use this product for any purpose that is not explicitly specified in this manual. We are not liable for damage or injury caused by improper mounting, incorrect assembly, or inappropriate use.

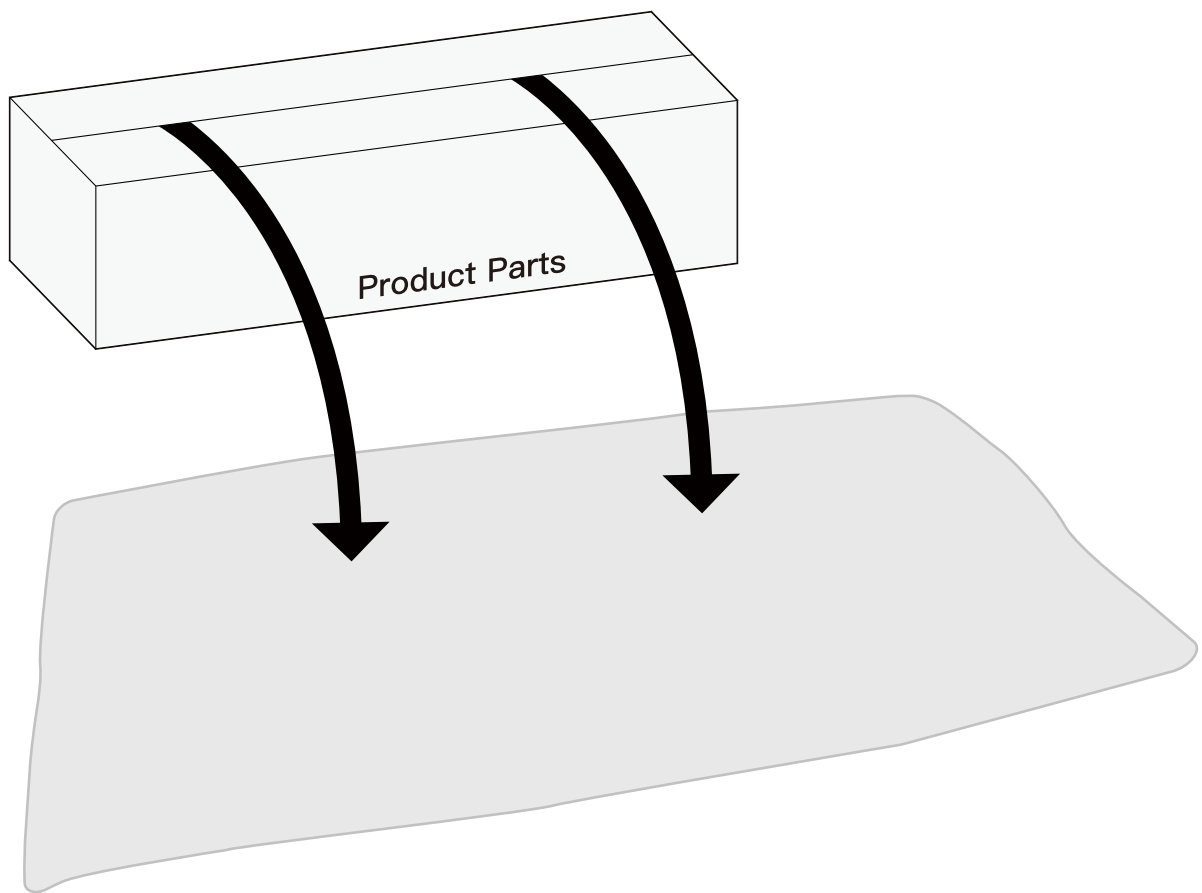
Care and Maintenance

- Please clean the product with a damp cloth or mild detergent.
- Do not use bleach or other abrasive cleaners.

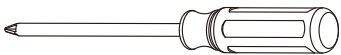


Installation Tips

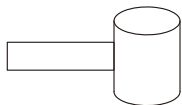
- It is recommended that at least two people install this product together.
- Make sure you have enough space to lay the parts out before assembling.
- To avoid scratches, assemble this product on unfolded cardboard or a soft surface.



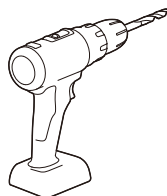
Tools Needed (Not Included)



Phillips Screwdriver



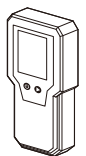
Rubber Mallet



Electric Drill

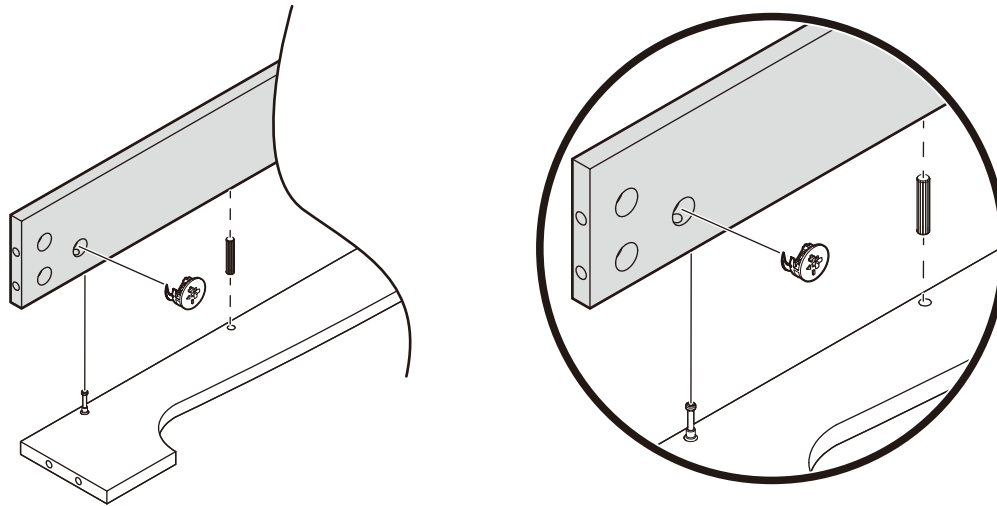


Hammer



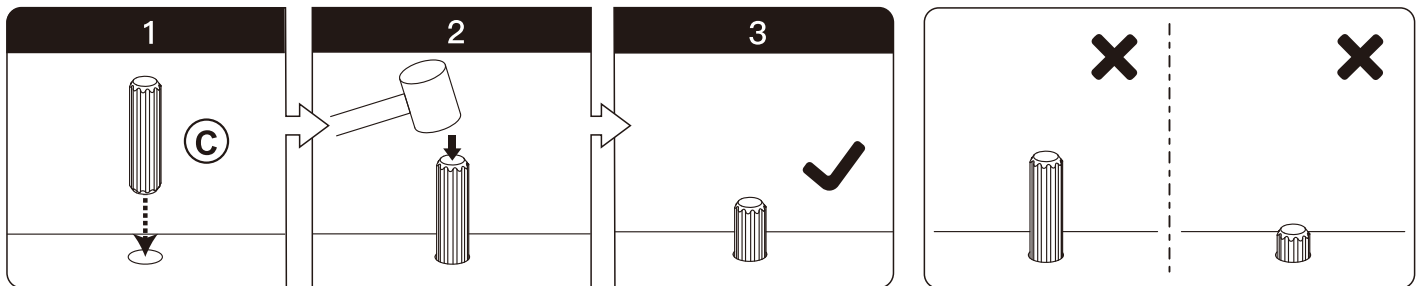
Stud Finder
(Optional)

How the Assembly System Works



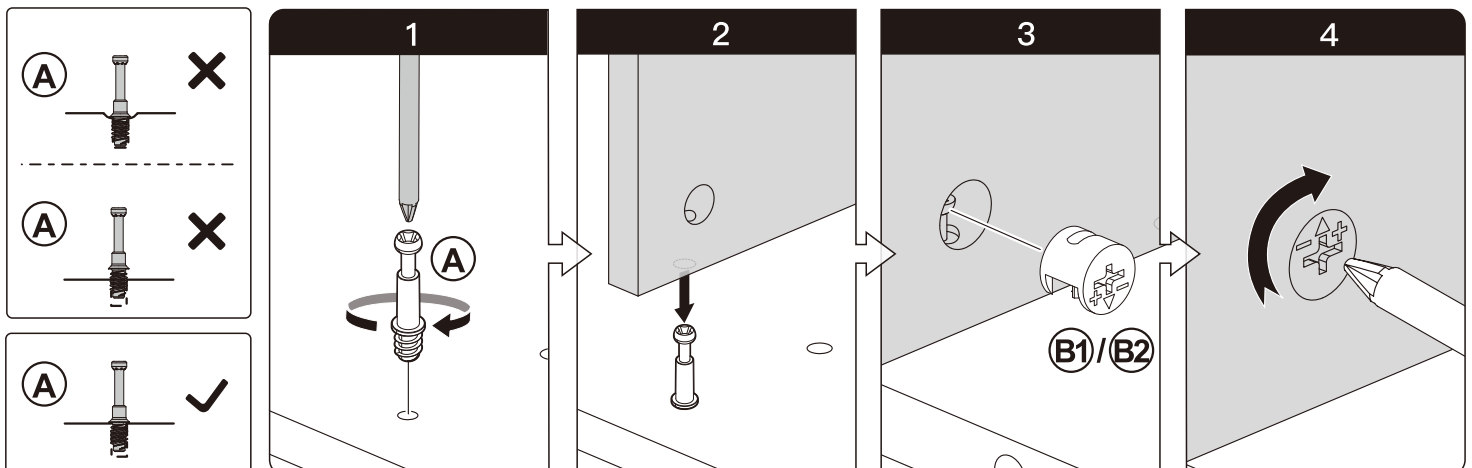
How to Install Wood Dowels

Insert the wood dowel [C] at least halfway into the hole. IF NECESSARY, lightly tap the wood dowel with a self-supplied rubber mallet.



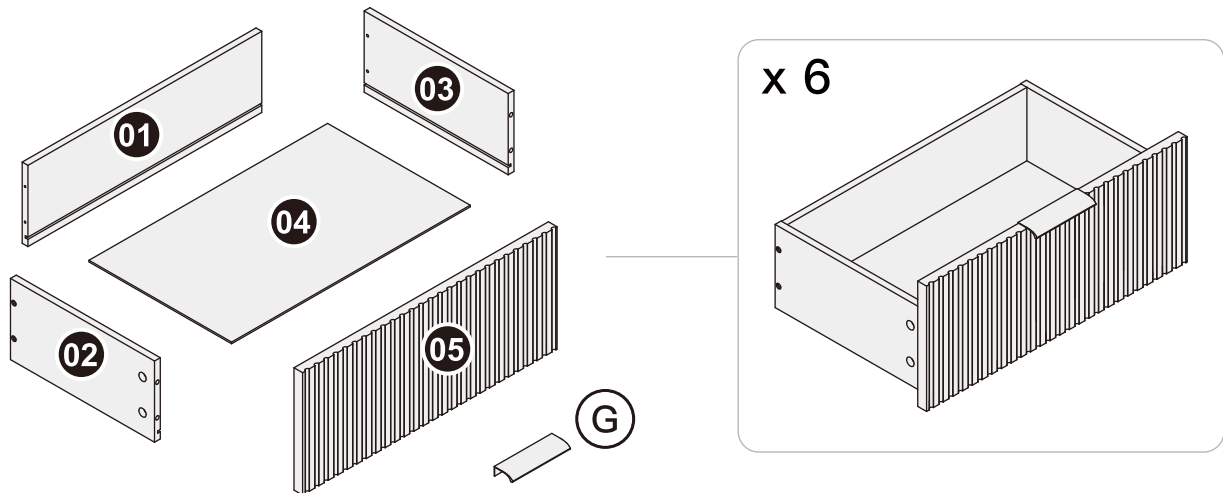
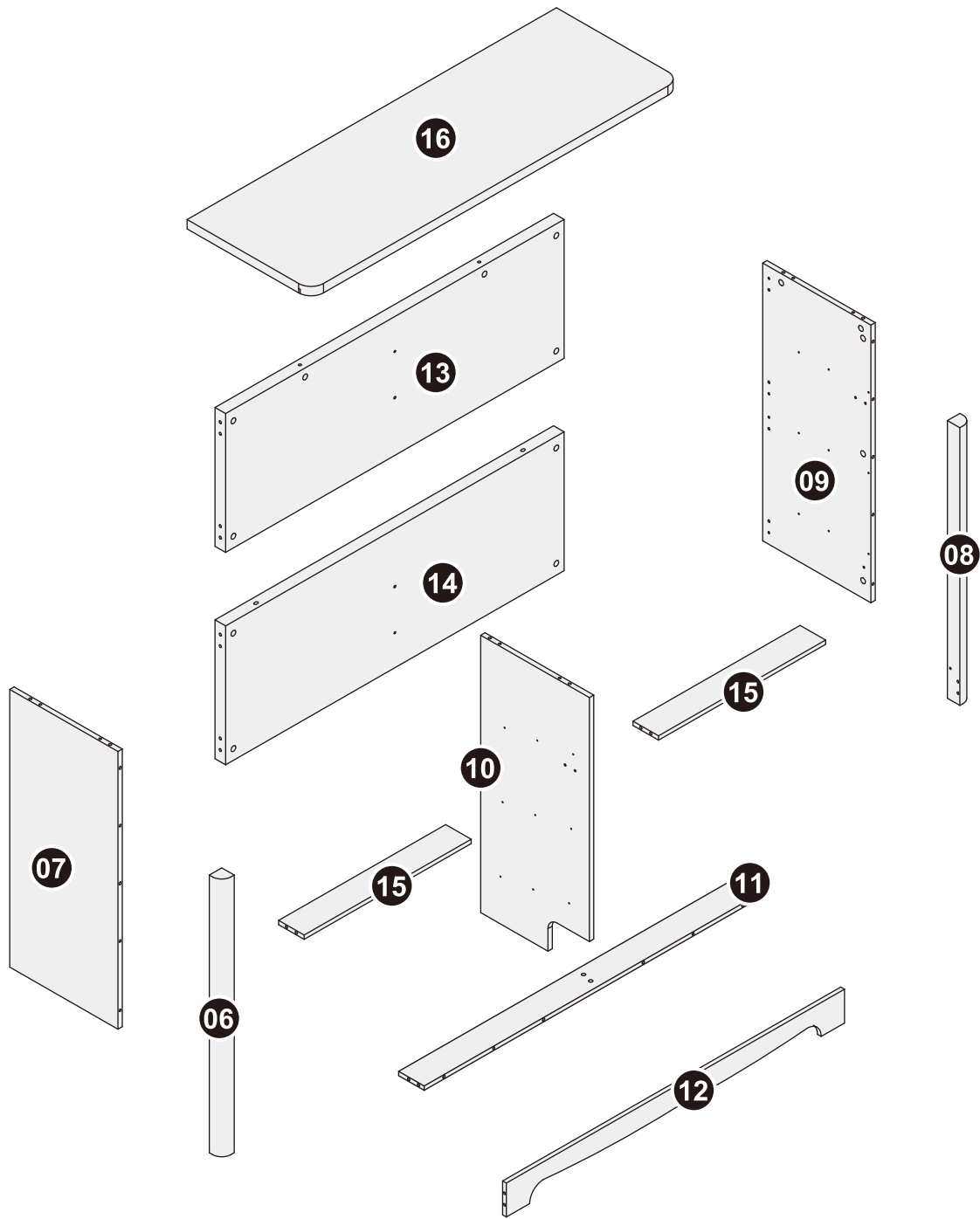
Using the Cam Lock System

1. Screw cam bolt [A] into threaded hole on the panel.
2. Connect both panels together. Make sure cam bolt [A] goes into the pre-drilled hole on the end of the panel for cam lock [B1/B2].
3. Insert cam lock [B1/B2] into large hole on the panel. Make sure the open slot on cam lock [B1/B2] faces the head of cam bolt [A].
4. Turn cam lock [B] clockwise to tighten.



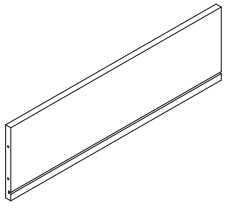
You are now ready to assemble the unit.

Exploded Drawing



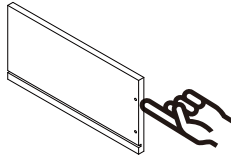
Supplied Parts and Hardware

01 x 6



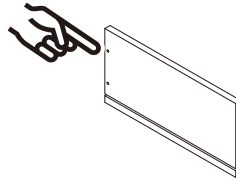
Drawer Bottom Panel

02 x 6



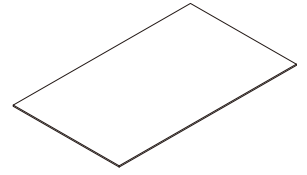
Drawer Side Panel (L)

03 x 6



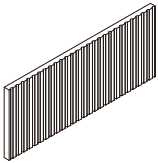
Drawer Side Panel (R)

04 x 6



Drawer Bottom Panel

05 x 6



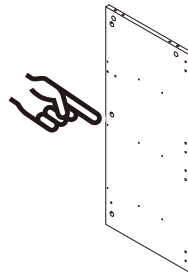
Drawer Front Panel

06 x 1



Left Leg

07 x 1



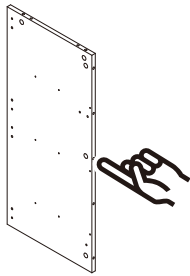
Left Side Panel

08 x 1



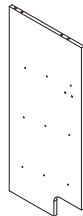
Right Leg

09 x 1



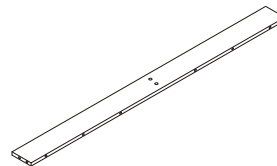
Right Side Panel

10 x 1



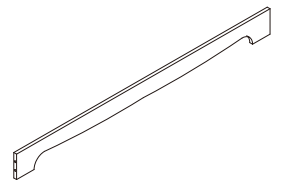
Middle Panel

11 x 1



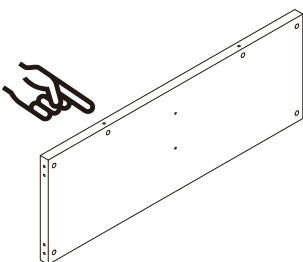
Bottom Rail

12 x 1



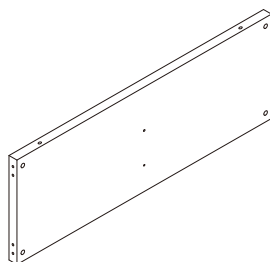
Bottom Front Rail

13 x 1



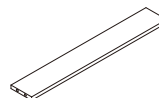
Back Panel

14 x 1



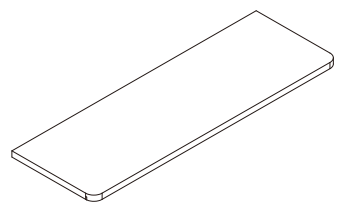
Back Panel

15 x 2



Center Rail

16 x 1



Top Panel

Supplied Parts and Hardware

(A) x 64



Ø6 x 32mm
Cam Bolt

(B1) x 24



Ø15 x 11mm
Tall Cam Bolt

(B2) x 40



Ø15 x 9mm
Short Cam Bolt

(C) x 29



Ø6 x 30mm
Wood Dowel

(D) x 24



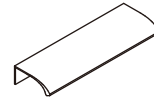
Ø4 x 38mm
Screw

(E) x 84



Ø3.5 x 12mm
Screw

(F) x 6



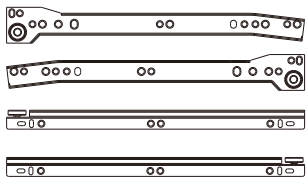
Drawer Pull

(G) x 1



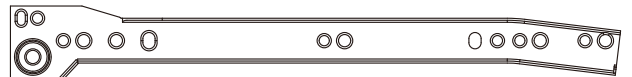
Ø6 x 50mm
Bolt

(H) x 6

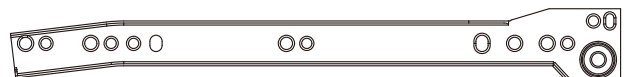


Dresser
Slide

H1(L) x 6



H1(R) x 6



Drawer
Slide

H2(L) x 6



H2(R) x 6



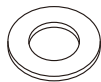
Anti-Tip Kit



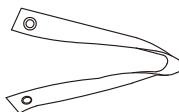
Screw
x 2



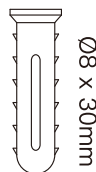
Screw
x 2



Washer
x 4



Strap
x 2



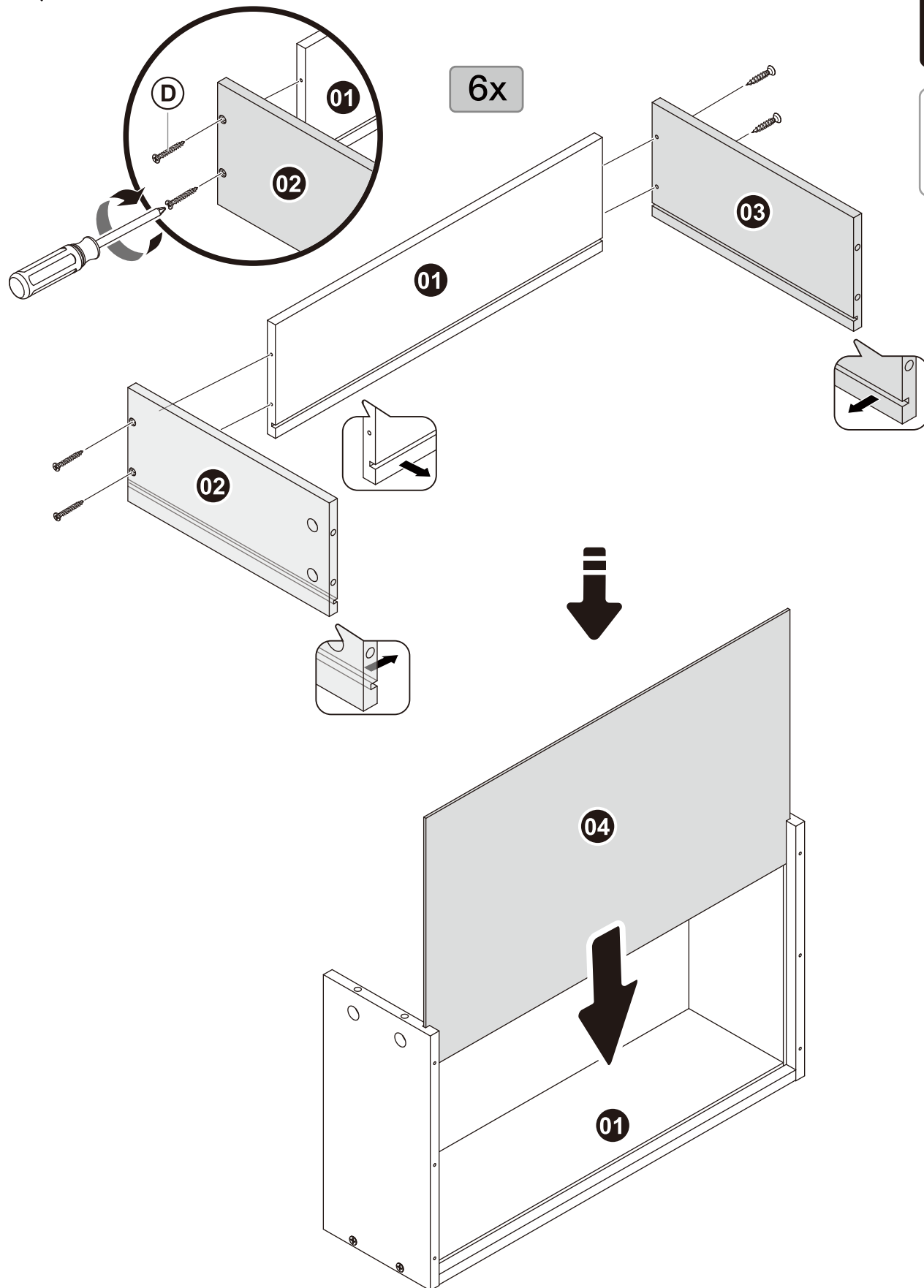
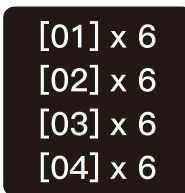
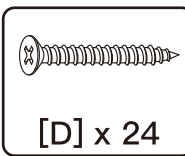
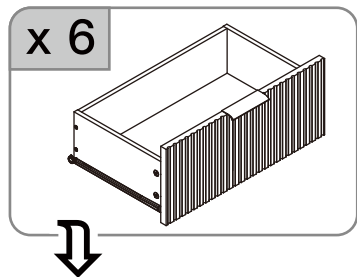
Wall Anchor
x 2

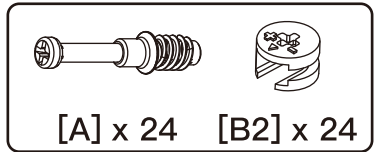
! CAUTION!

This wall anchor is for concrete ONLY. DO NOT use them in drywall or wood studs.

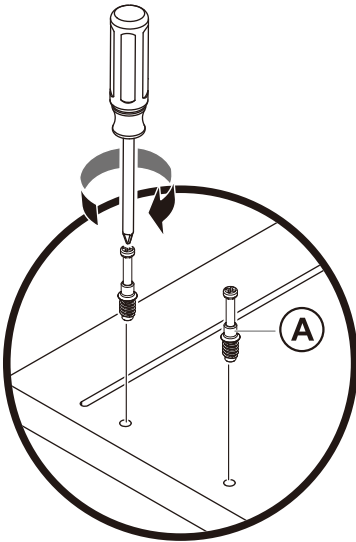
Step 1

Parts and Hardware

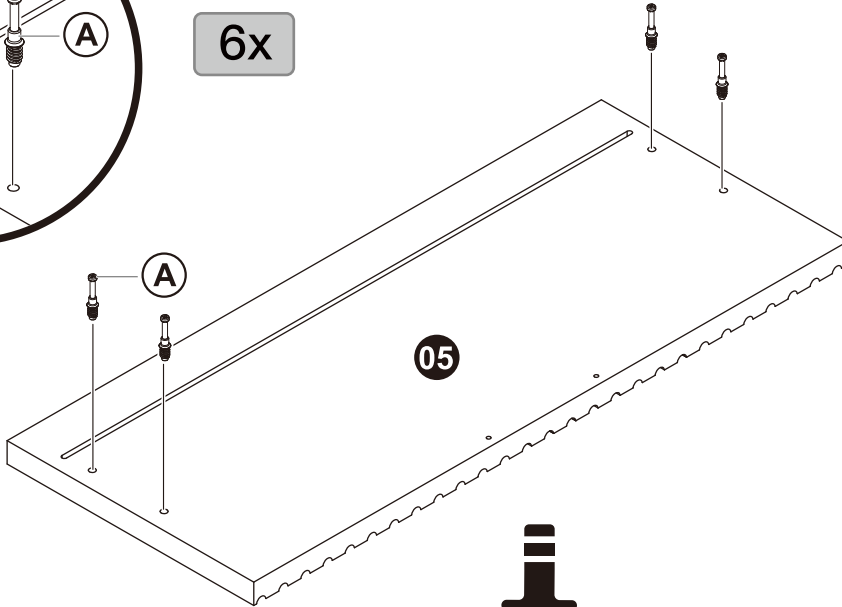




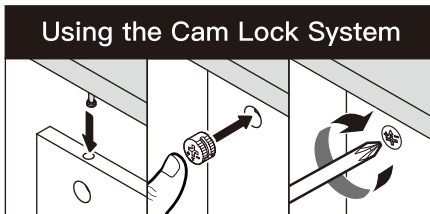
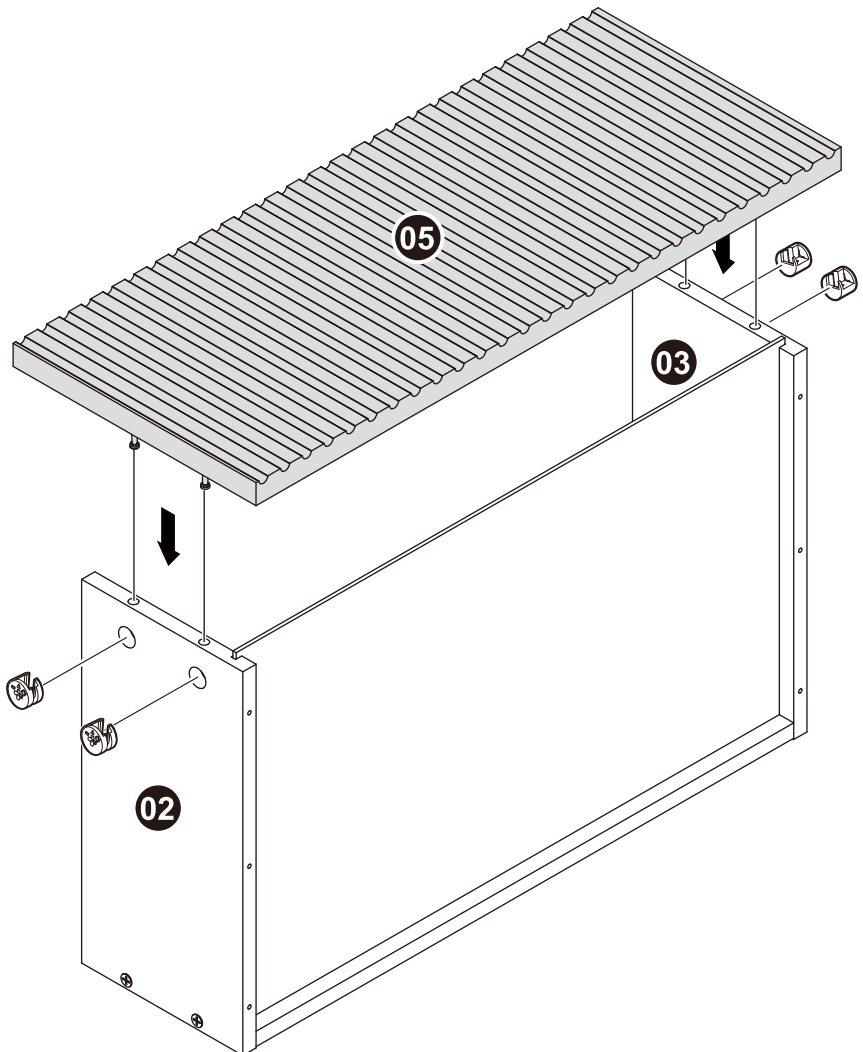
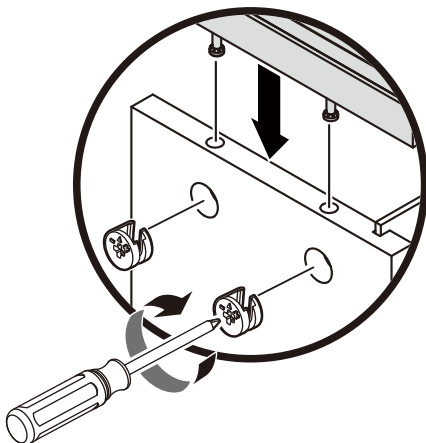
[05] x 6



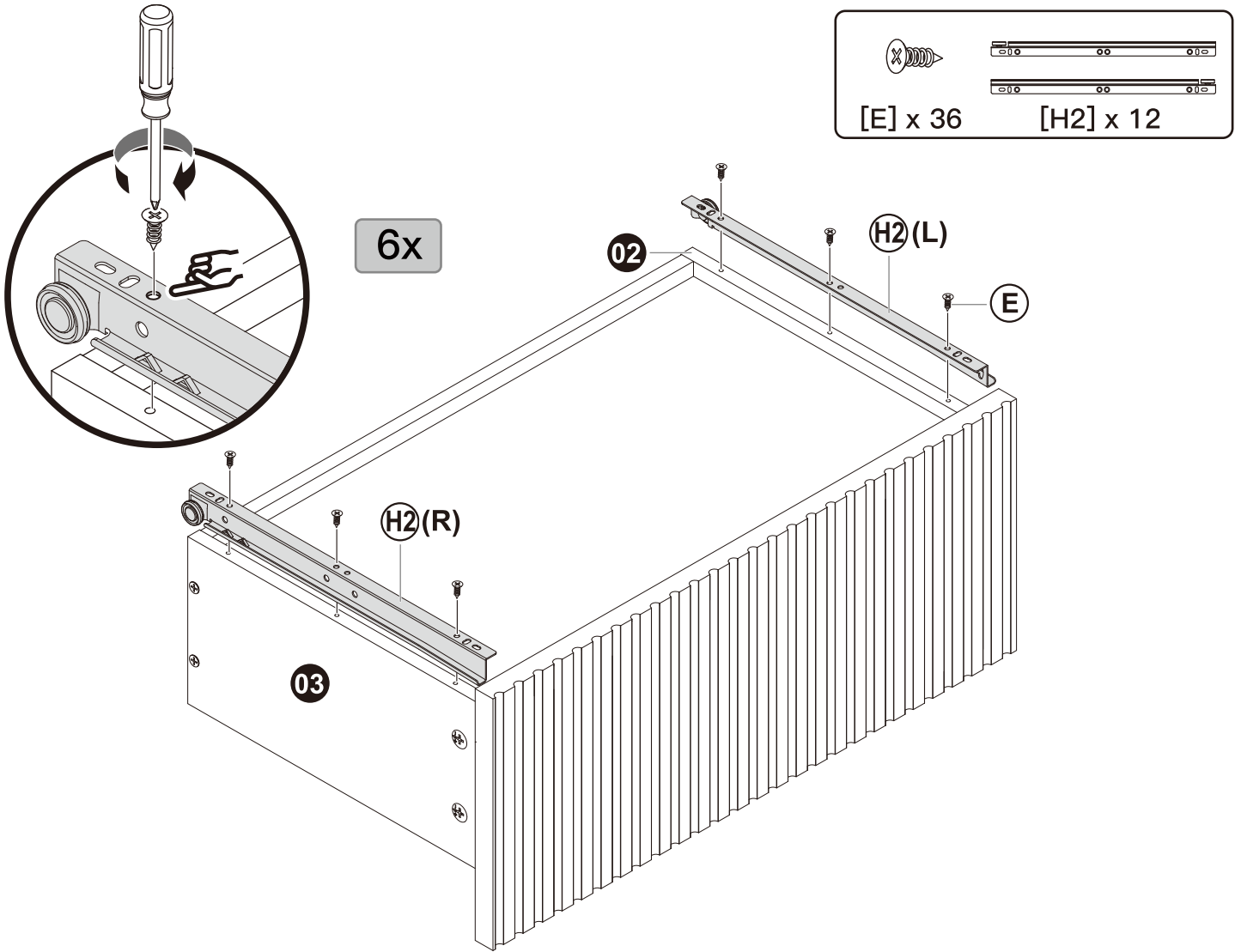
6x



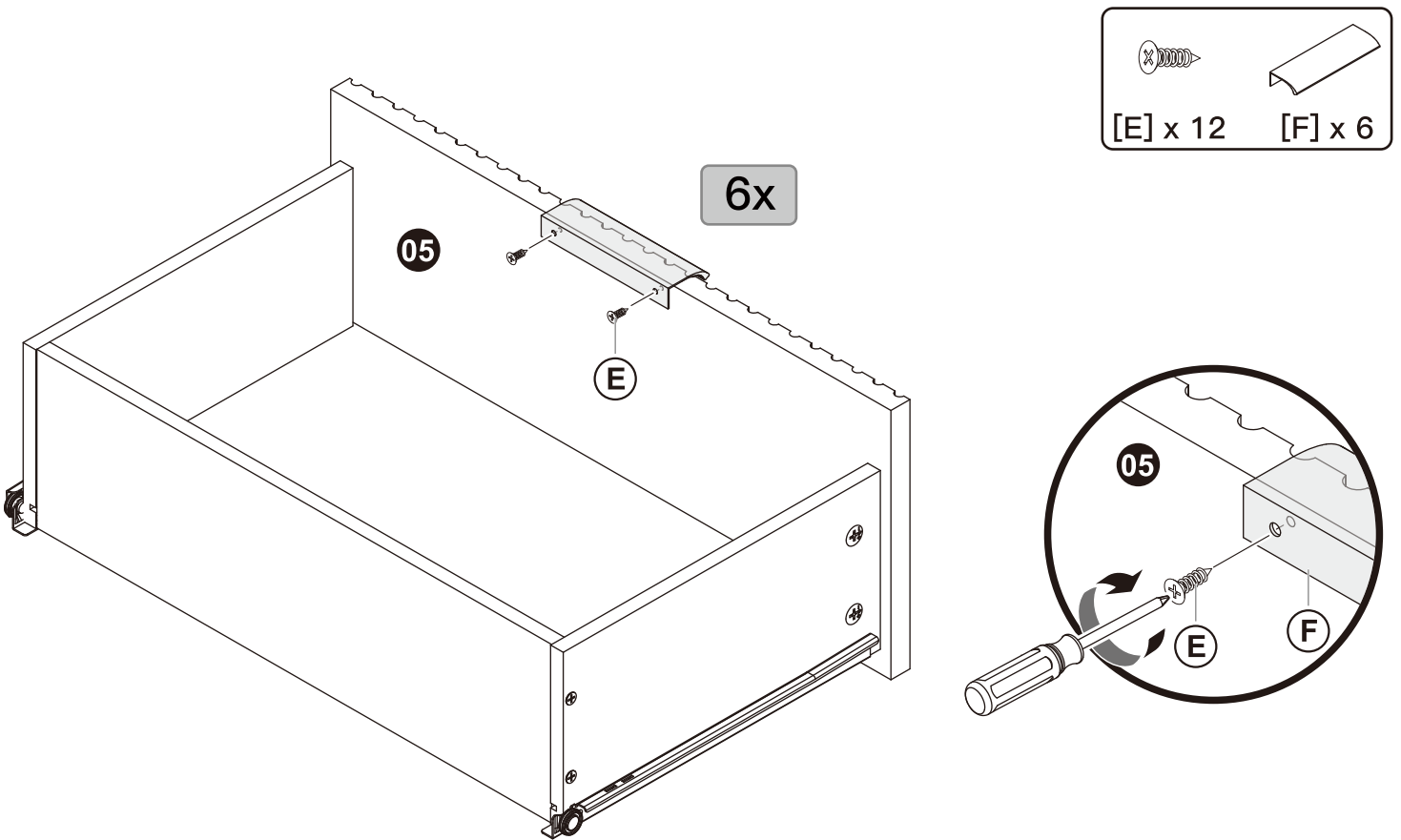
6x



Parts and Hardware

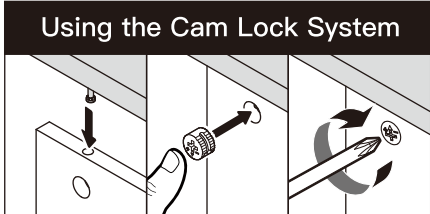
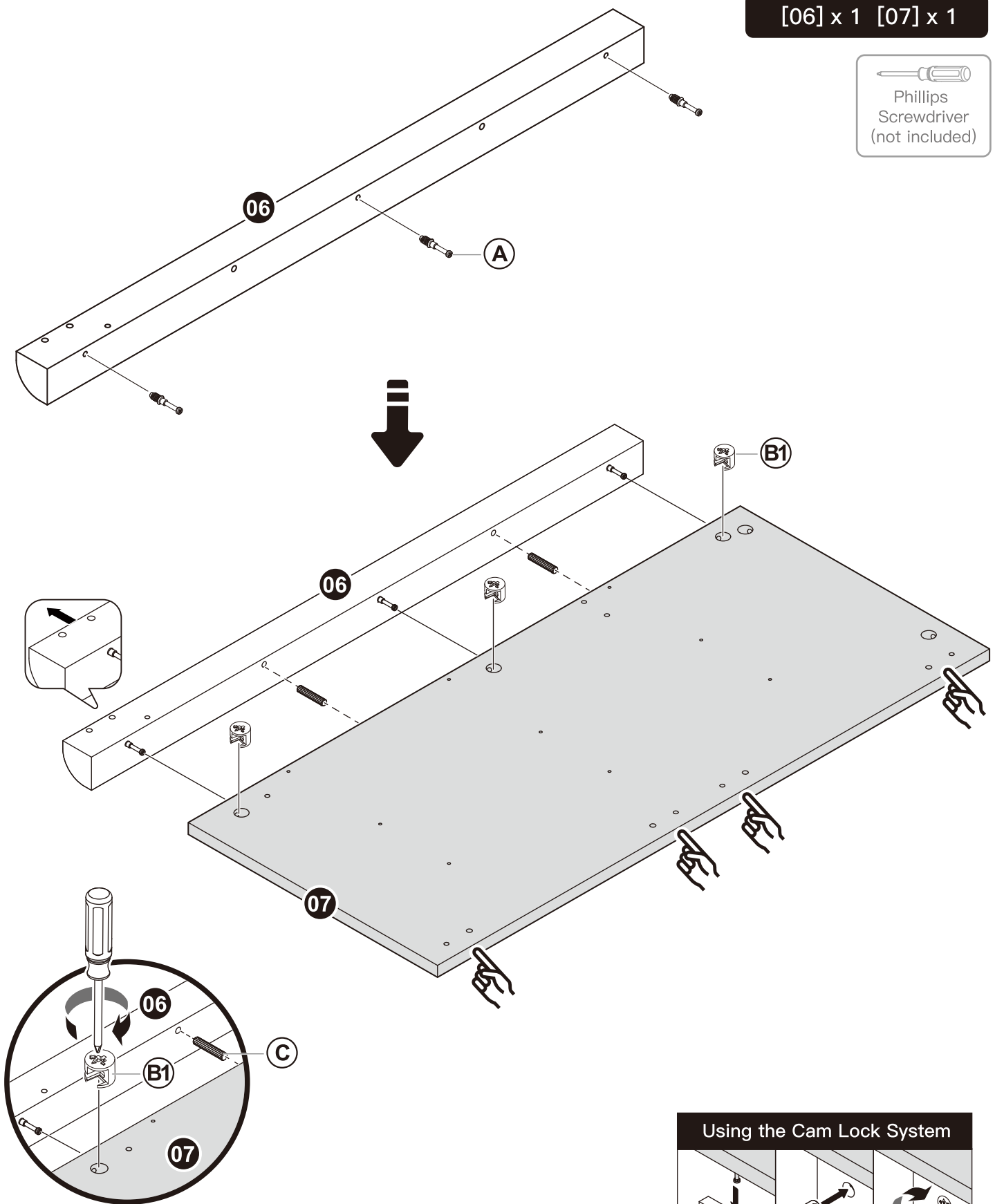
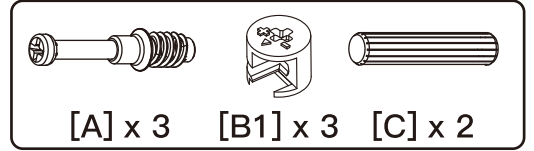


Parts and Hardware

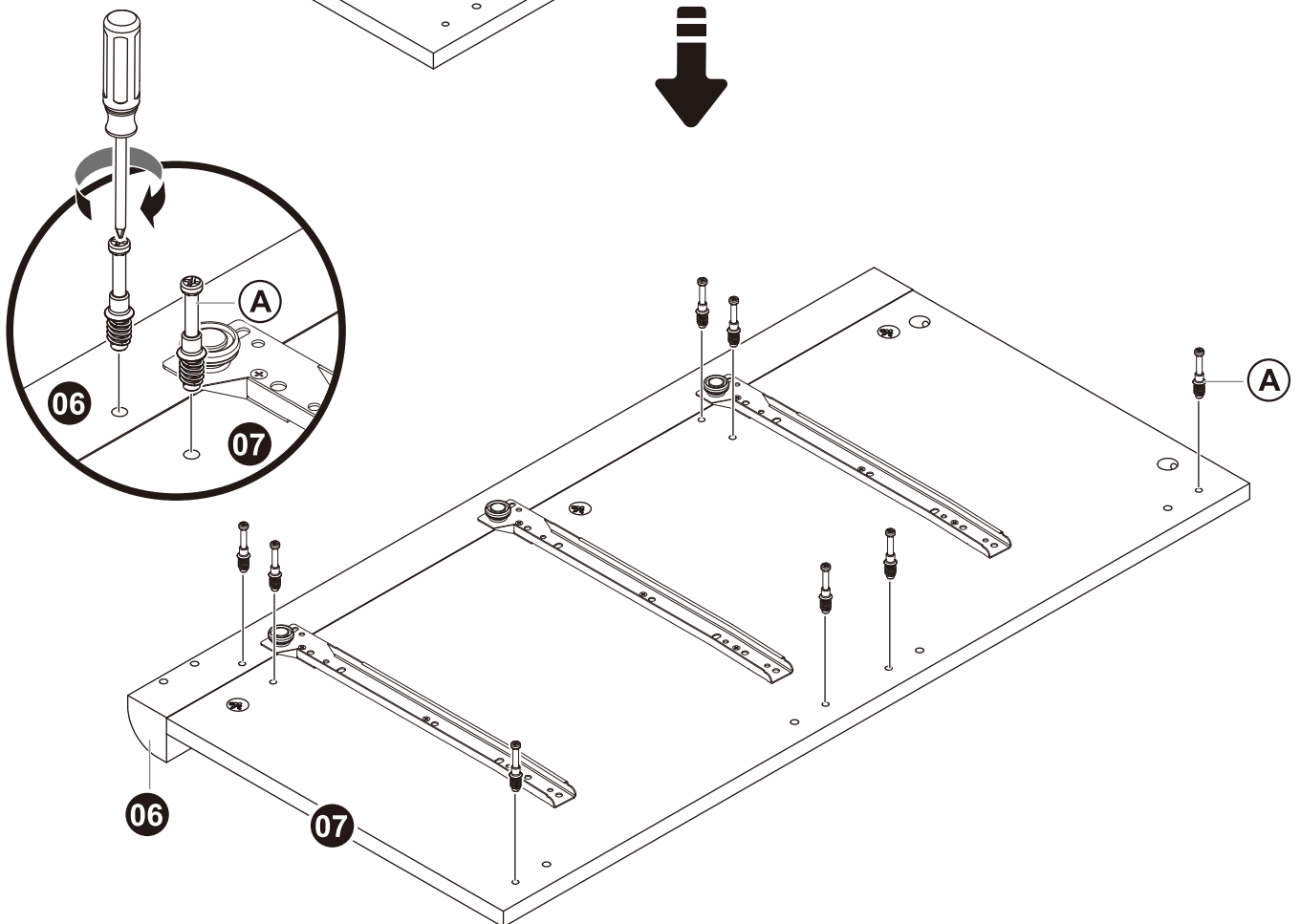
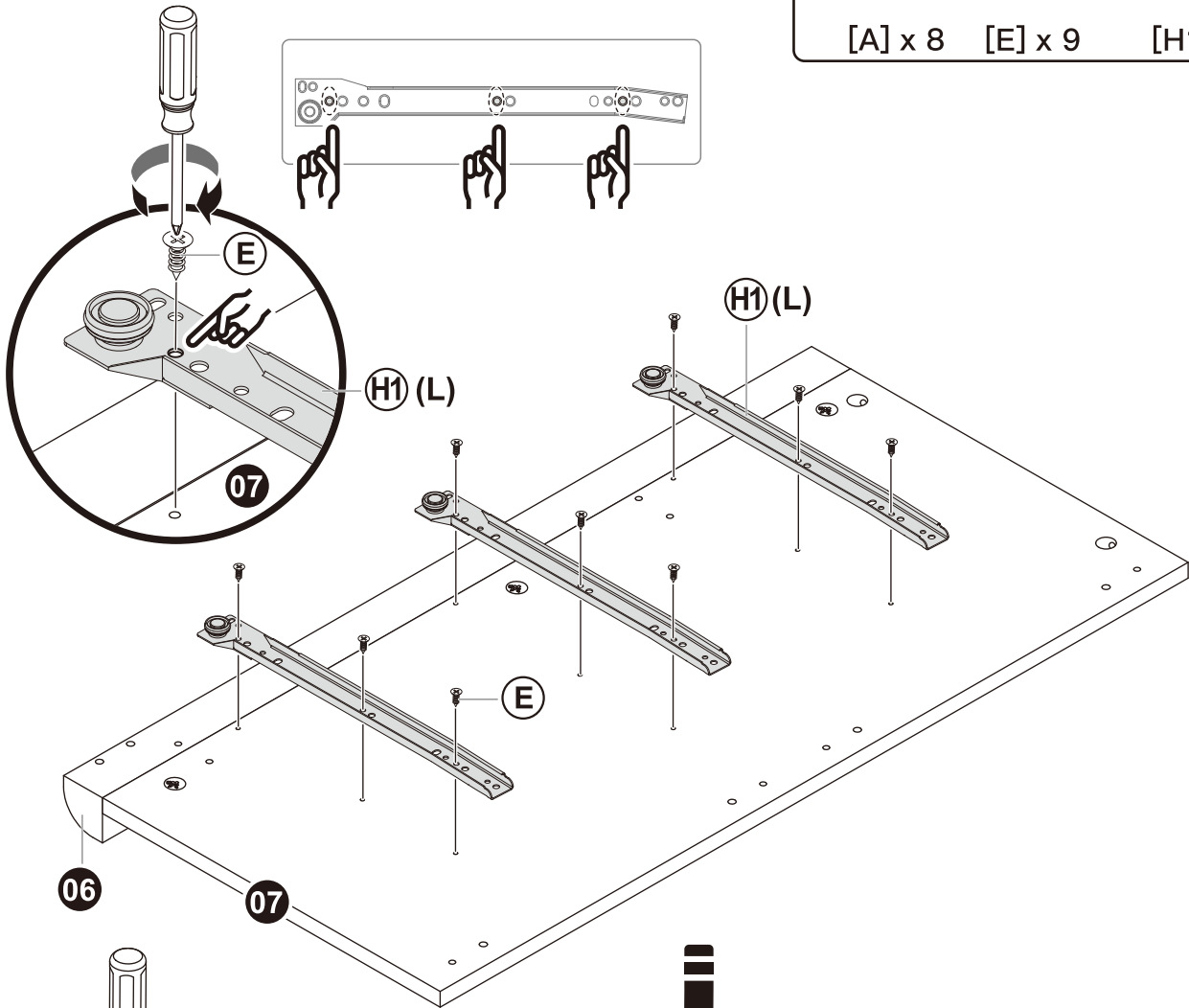
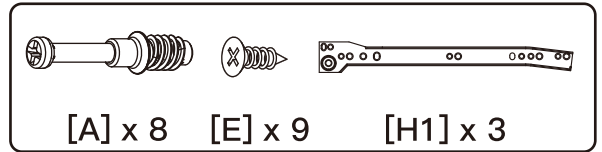


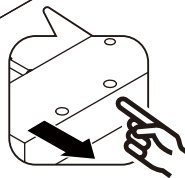
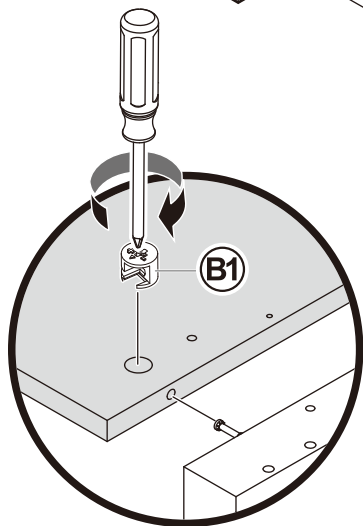
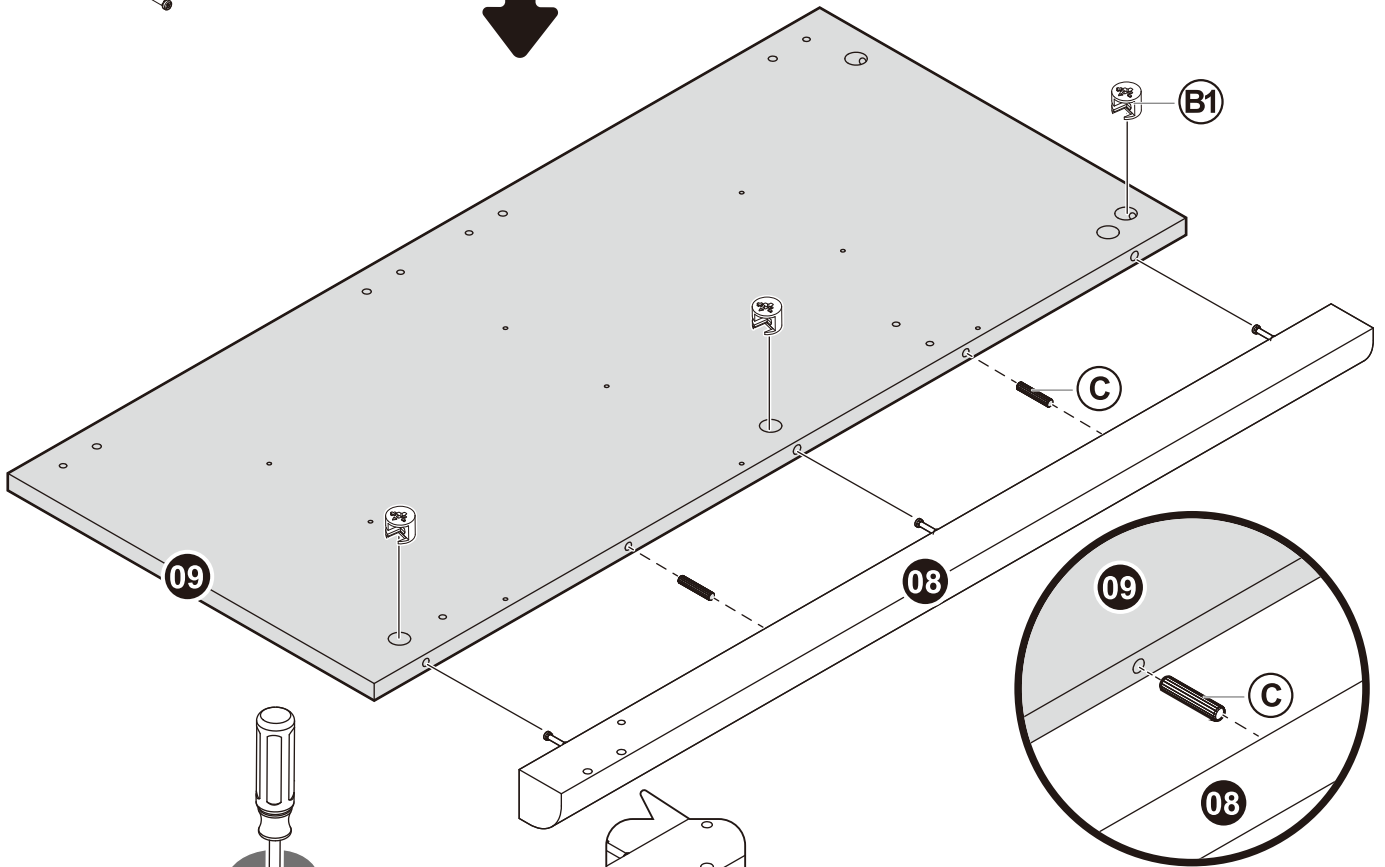
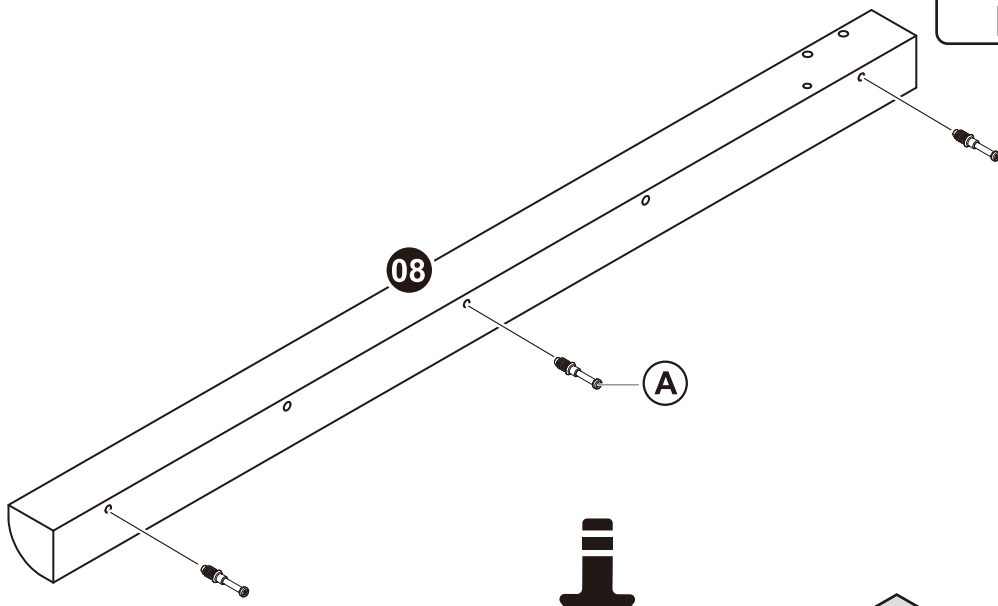
Step 2

Parts and Hardware

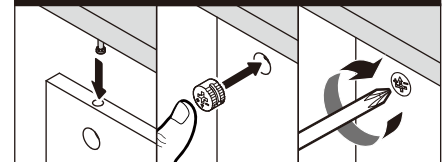


Note: Fully tighten screws to avoid loose drawers and ensure smooth movement.

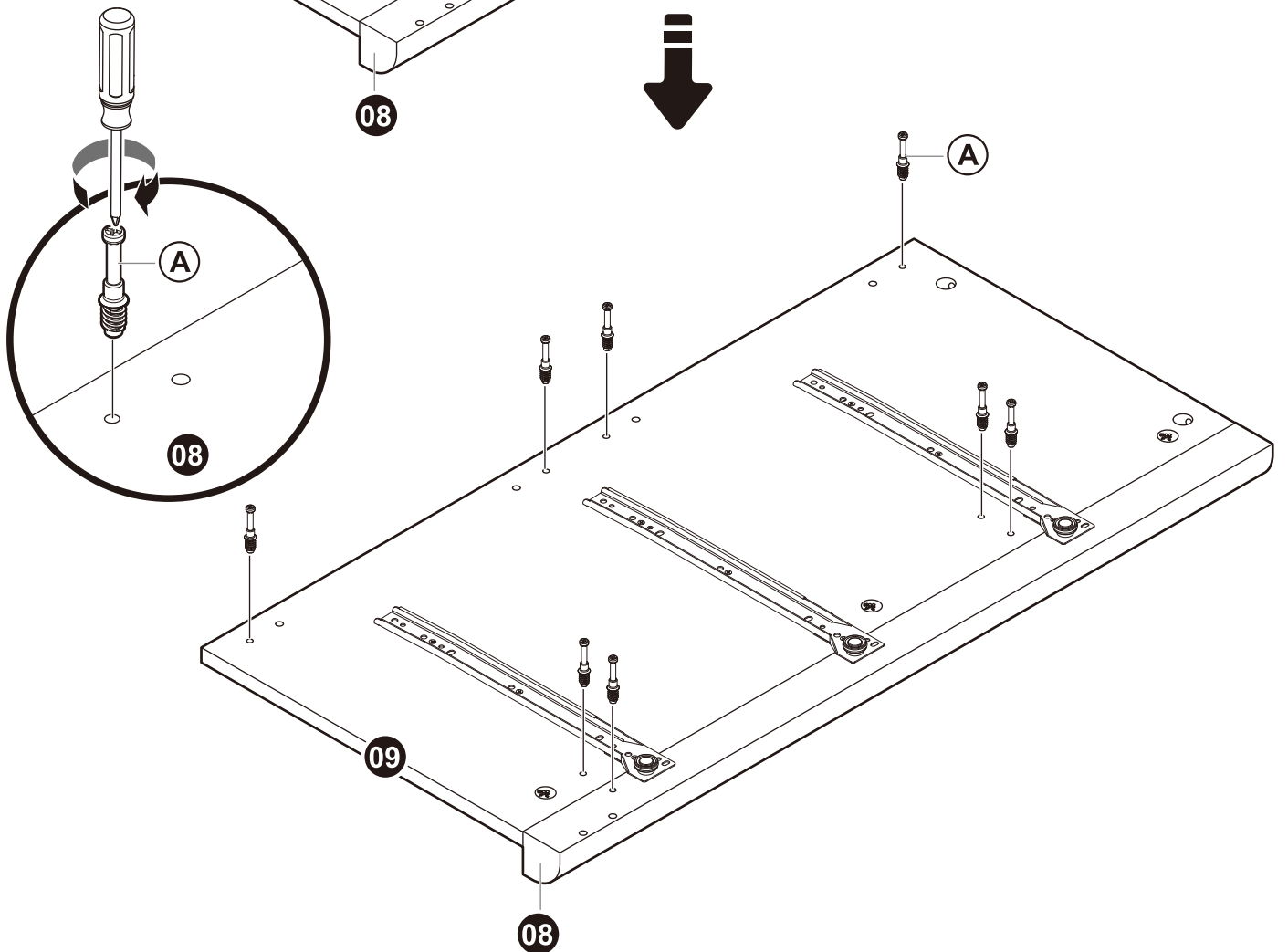
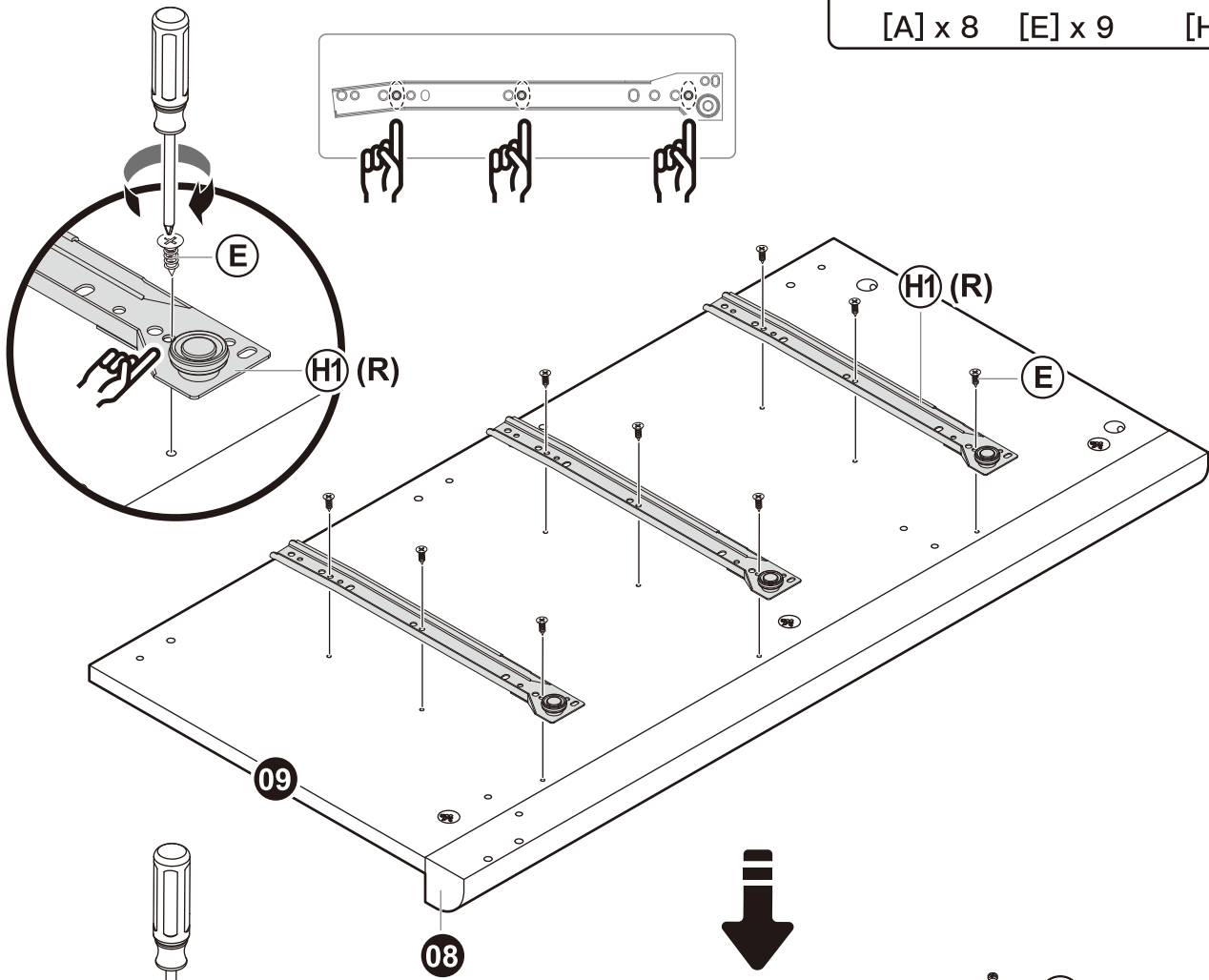
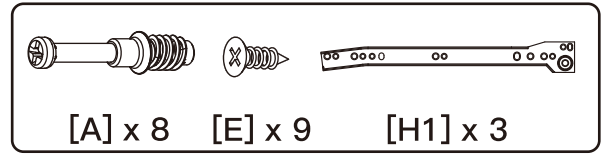




Using the Cam Lock System



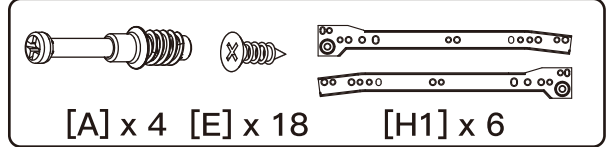
Note: Fully tighten screws to avoid loose drawers and ensure smooth movement.



Step 3

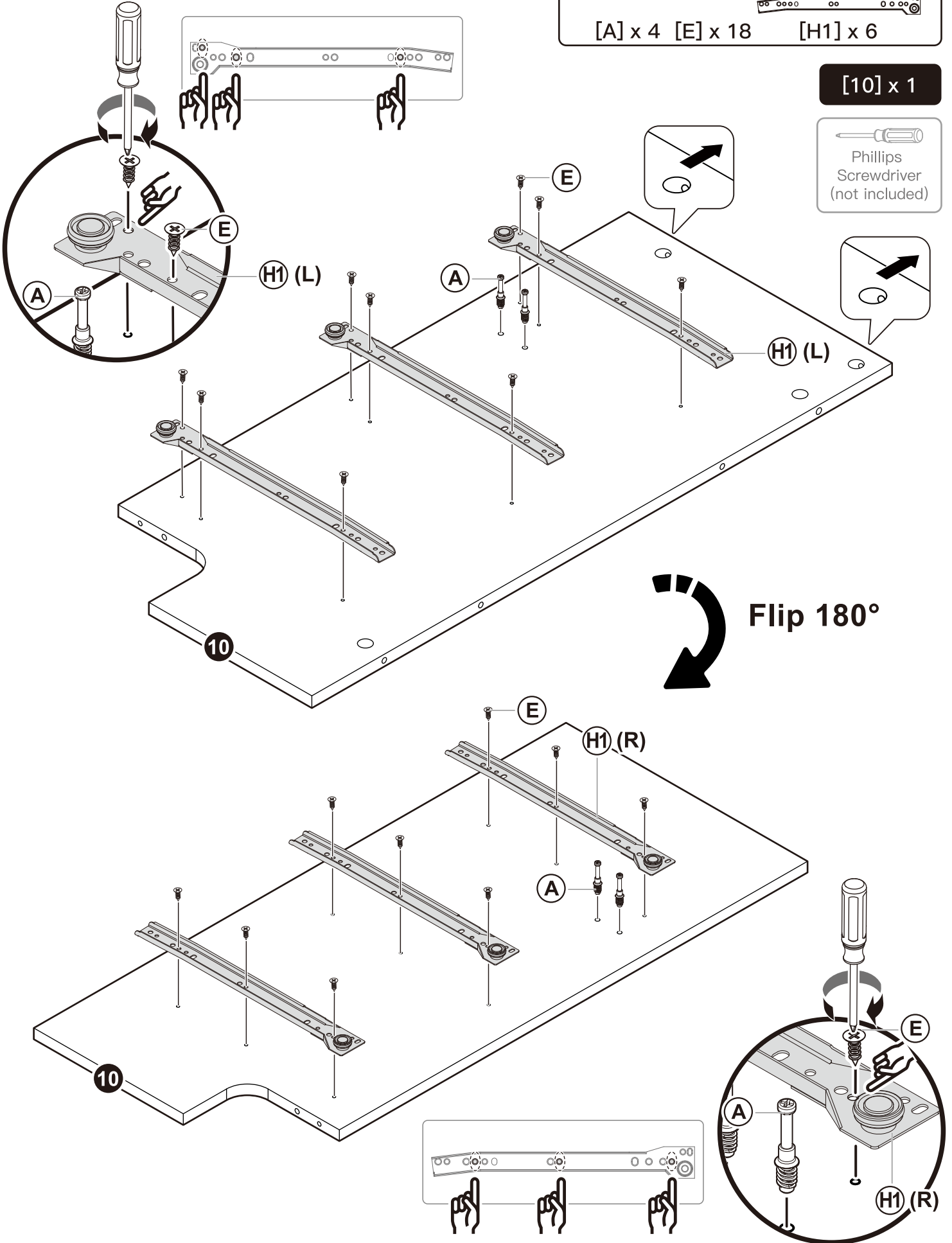
Parts and Hardware

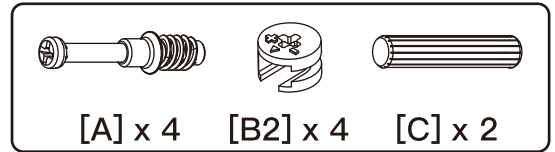
Note: Fully tighten screws to avoid loose drawers and ensure smooth movement.



[10] x 1

Phillips Screwdriver (not included)



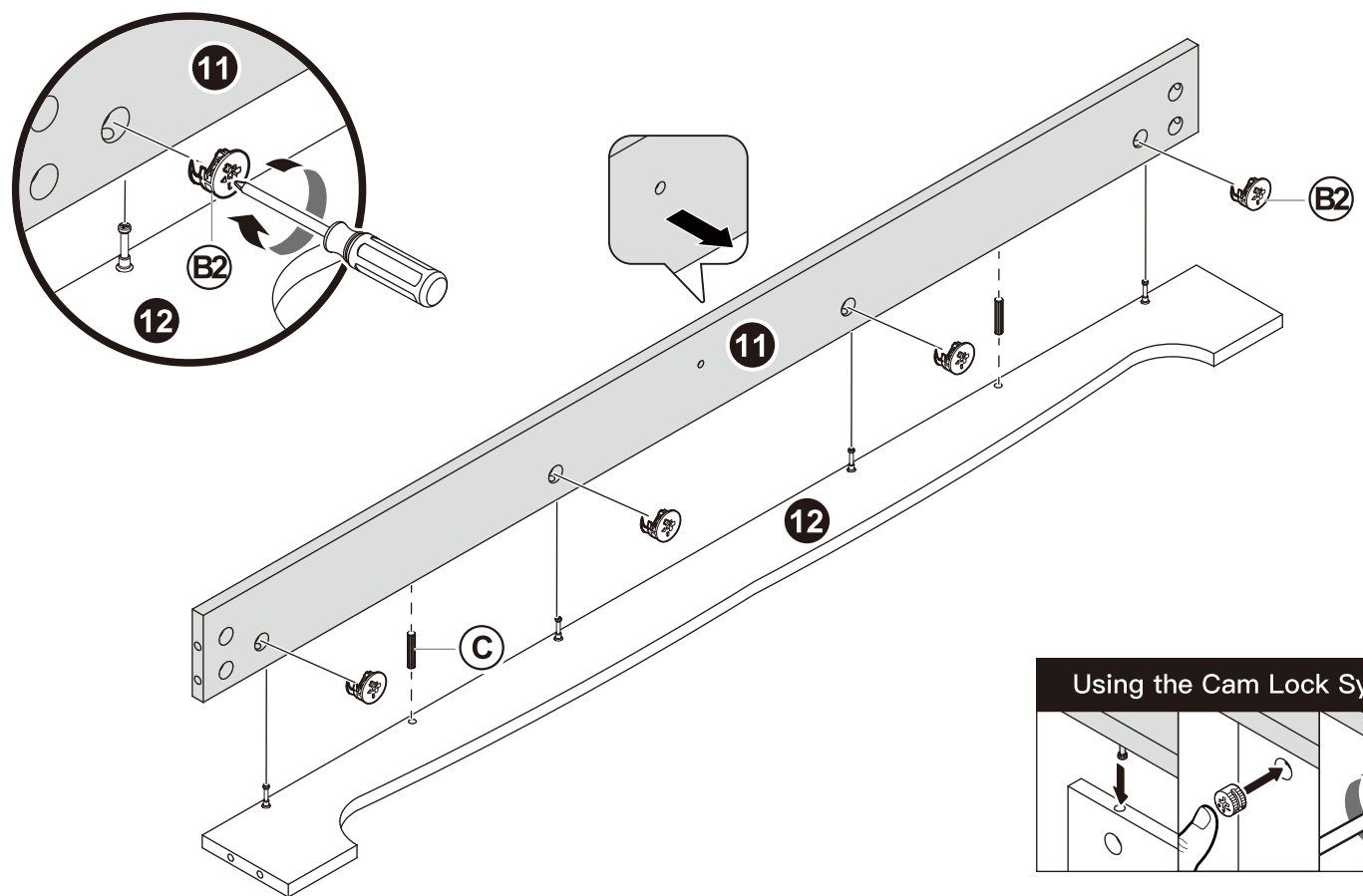
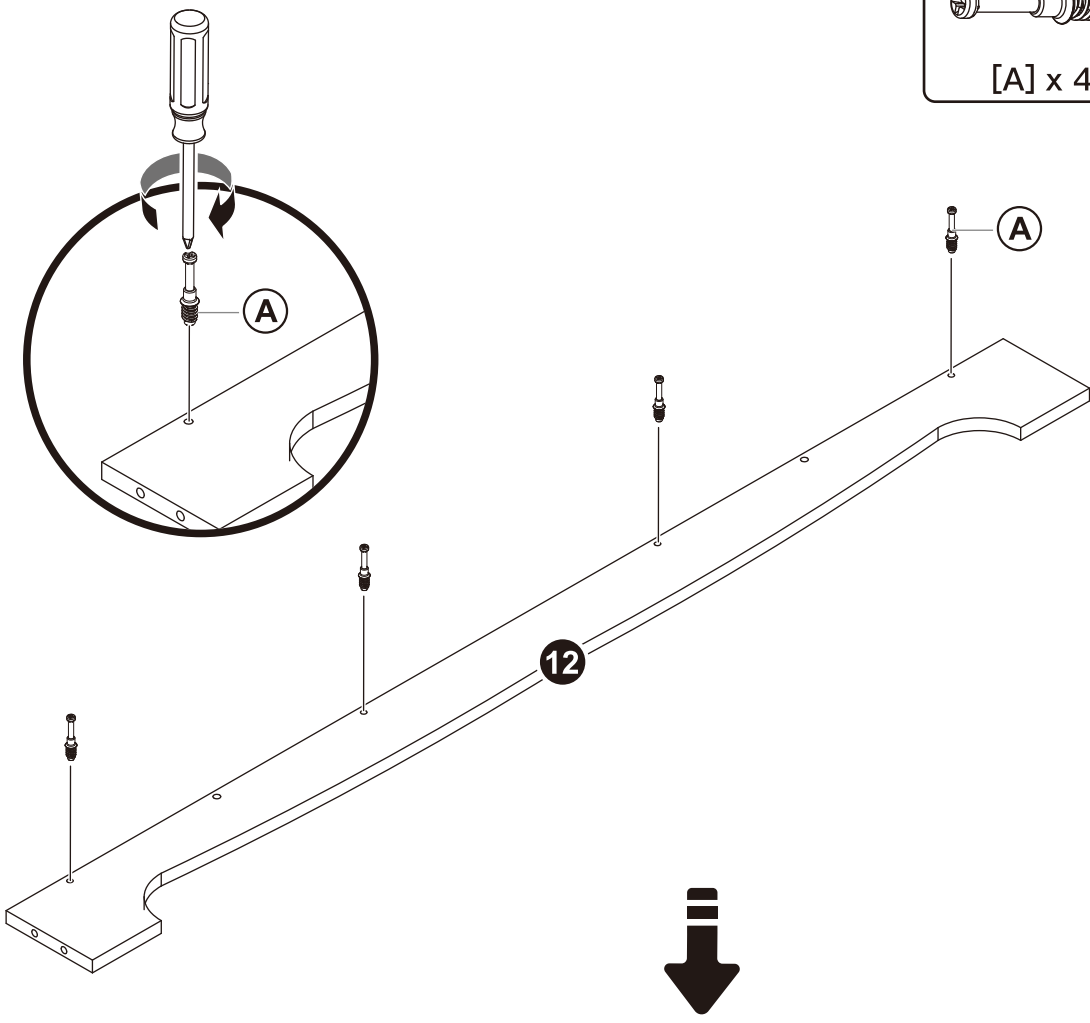


[A] x 4 [B2] x 4 [C] x 2

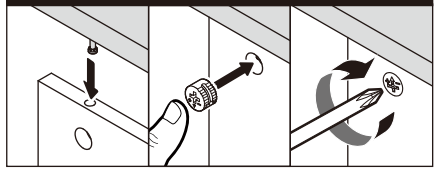
[11] x 1 [12] x 1




Phillips
Screwdriver
(not included)



Using the Cam Lock System



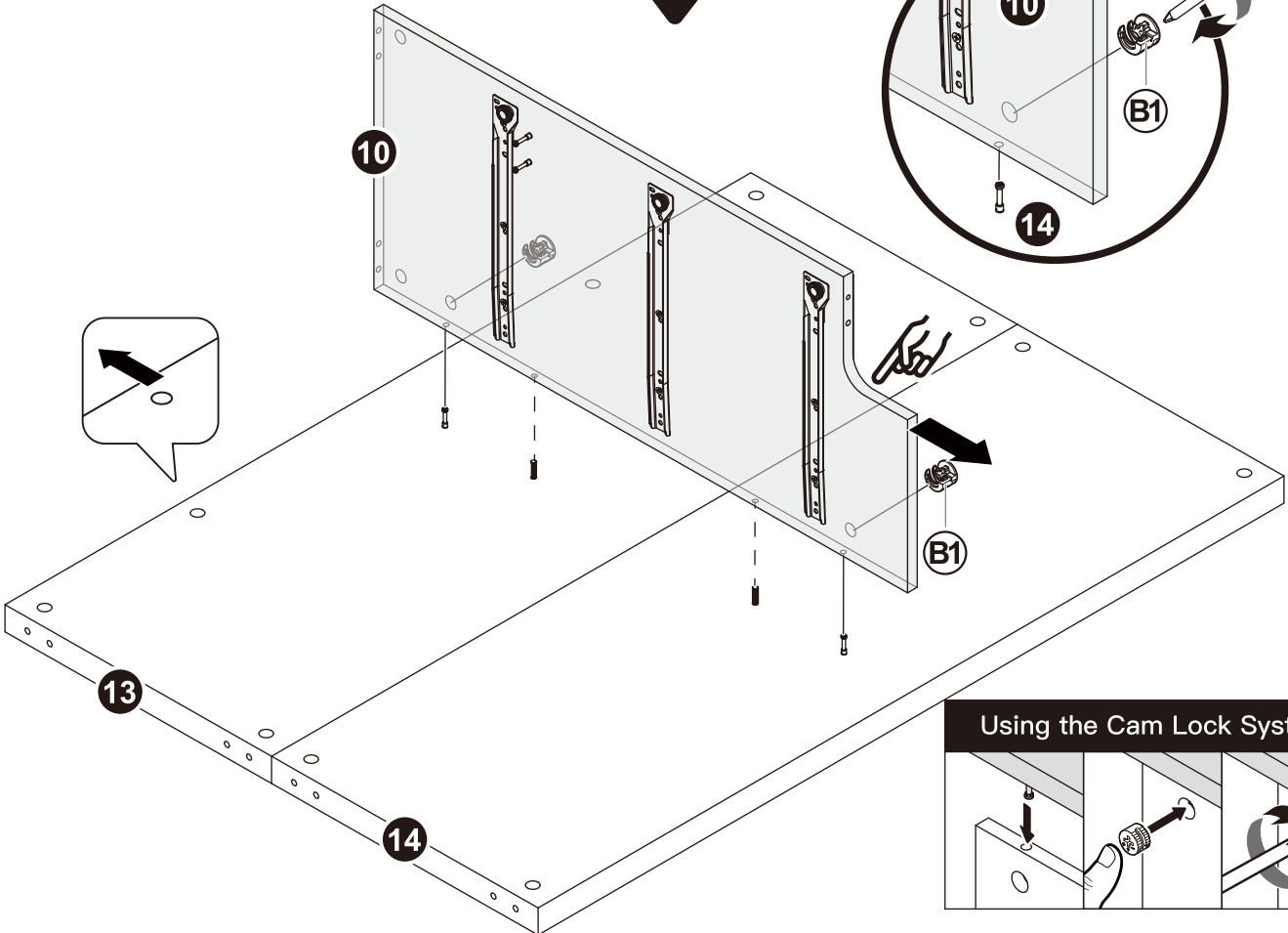
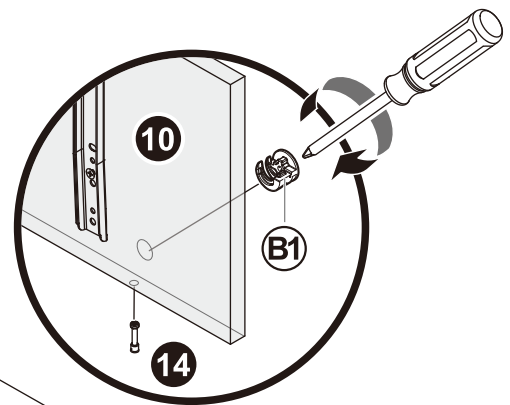
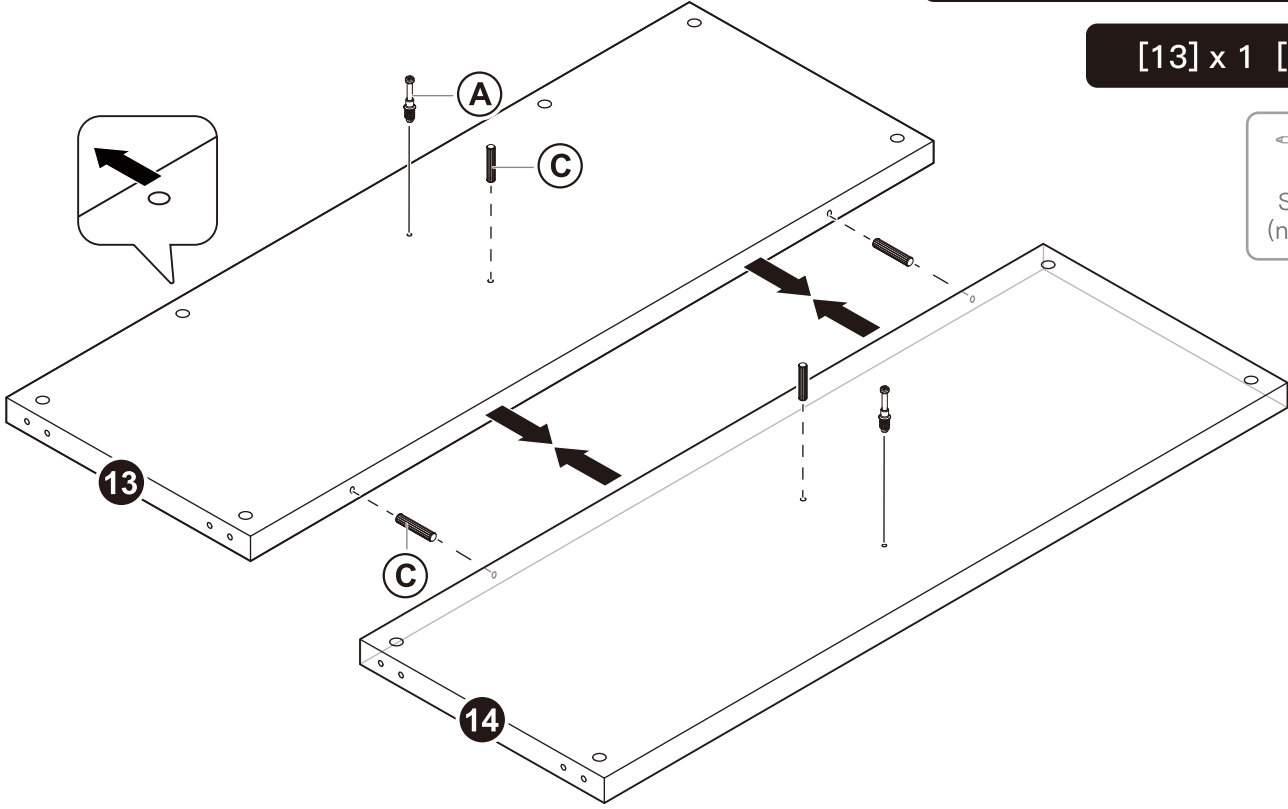
Step 5

 You may need assistance with this step.

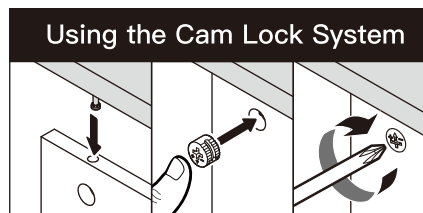
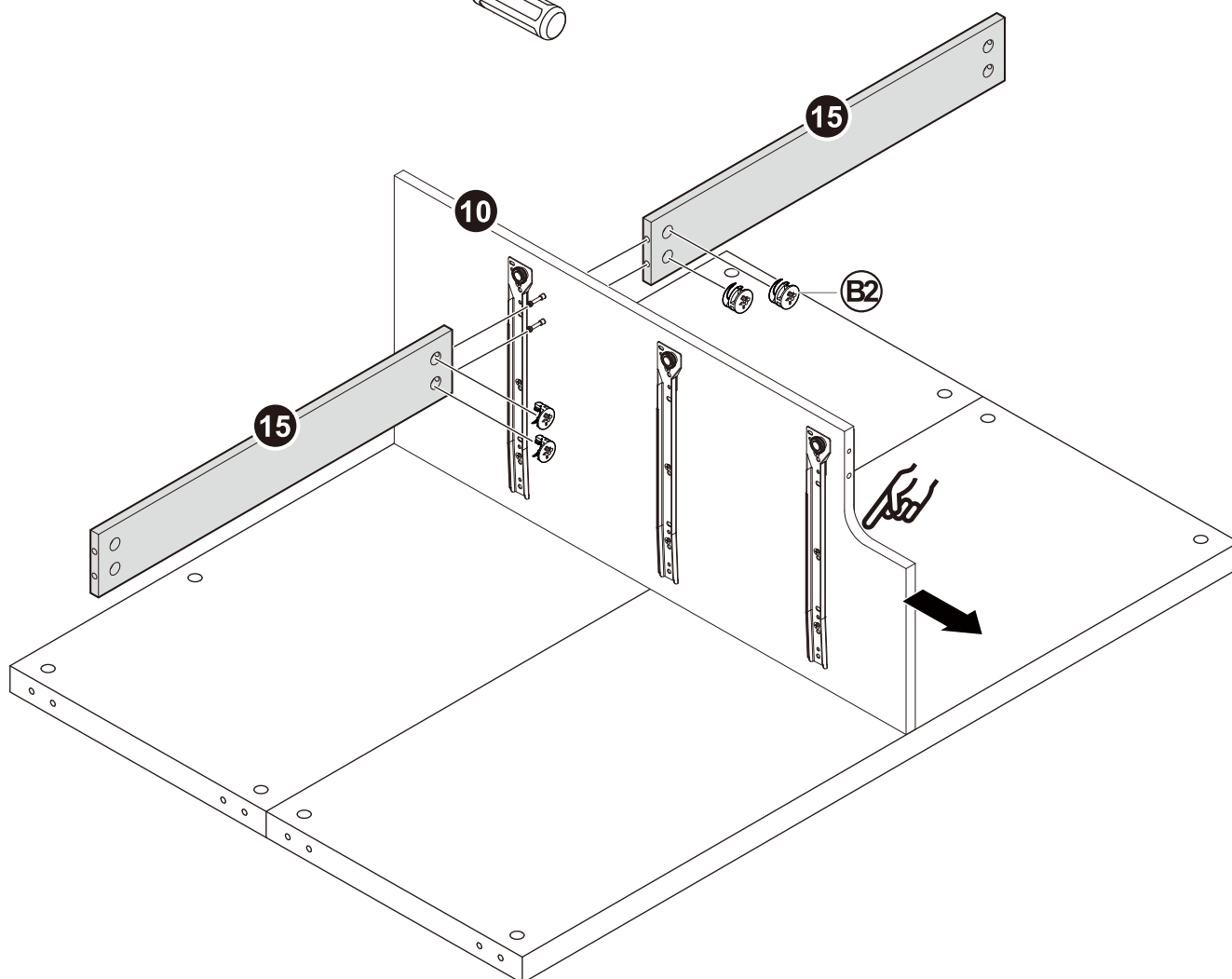
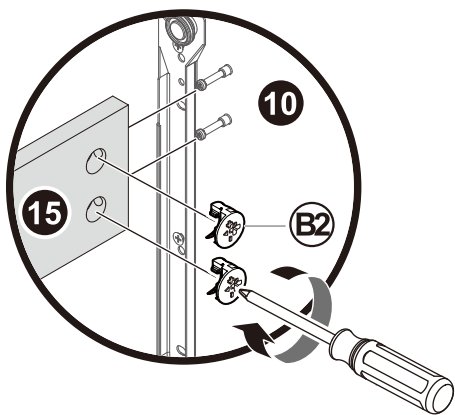
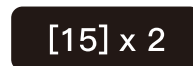
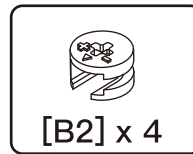
 [A] x 2  [B1] x 2  [C] x 4

[13] x 1 [14] x 1


Phillips
Screwdriver
(not included)

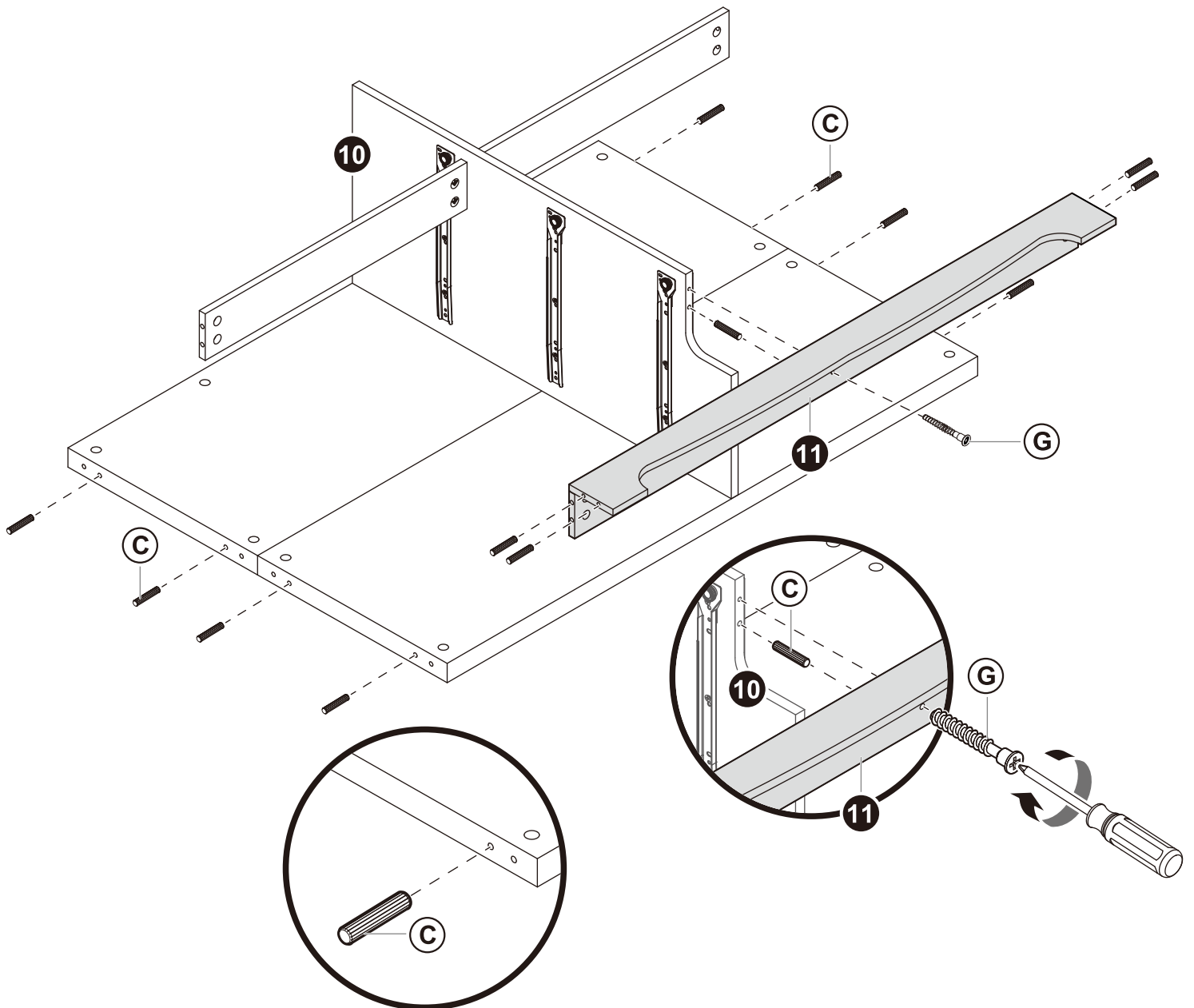
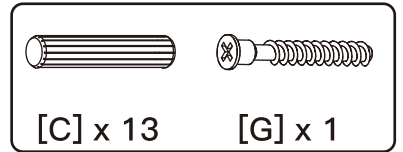


Using the Cam Lock System



Step 7

Parts and Hardware



Step 8

Parts and Hardware



You may need assistance with this step.



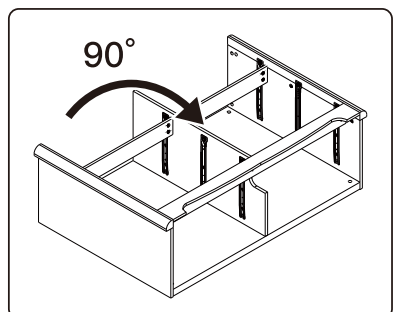
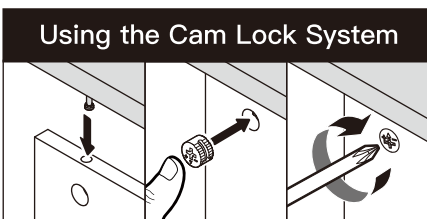
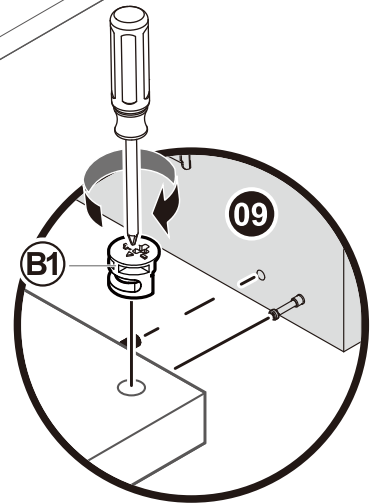
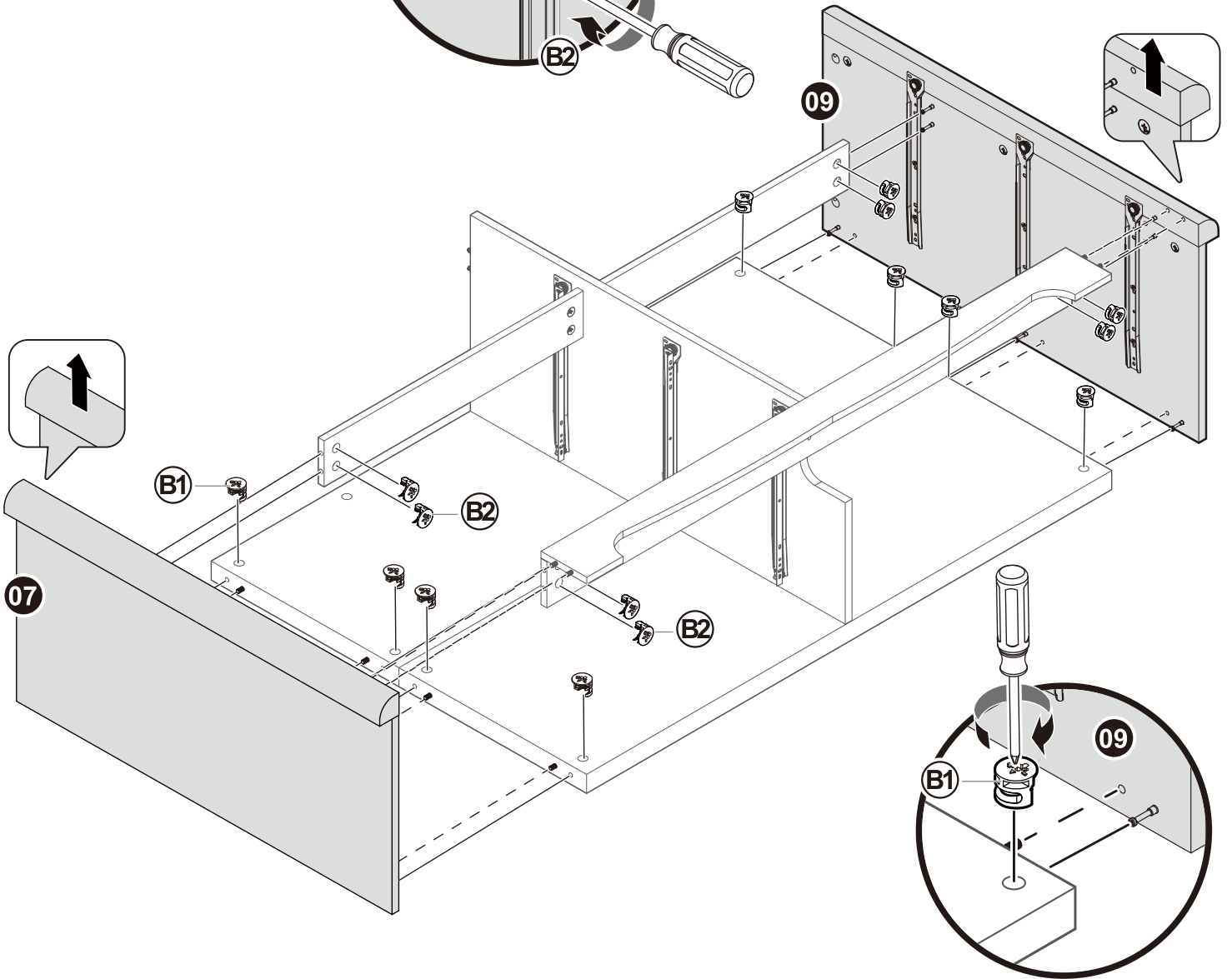
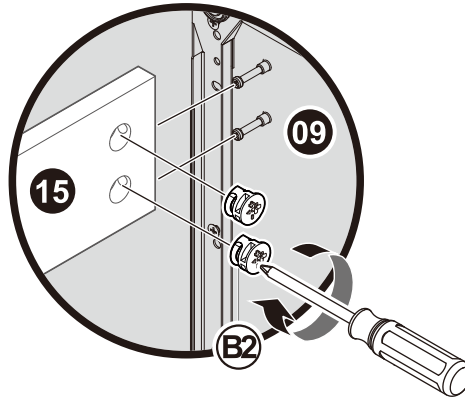
[B1] x 8



[B2] x 8




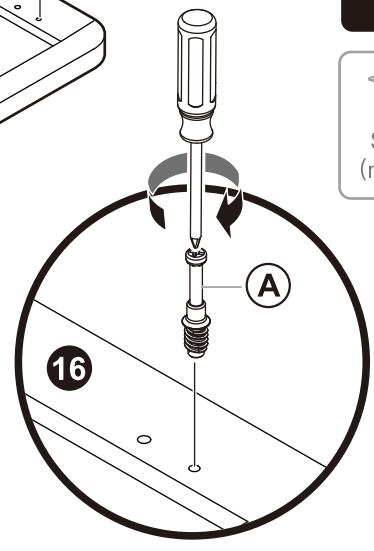
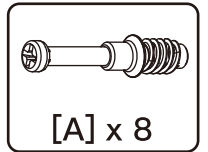
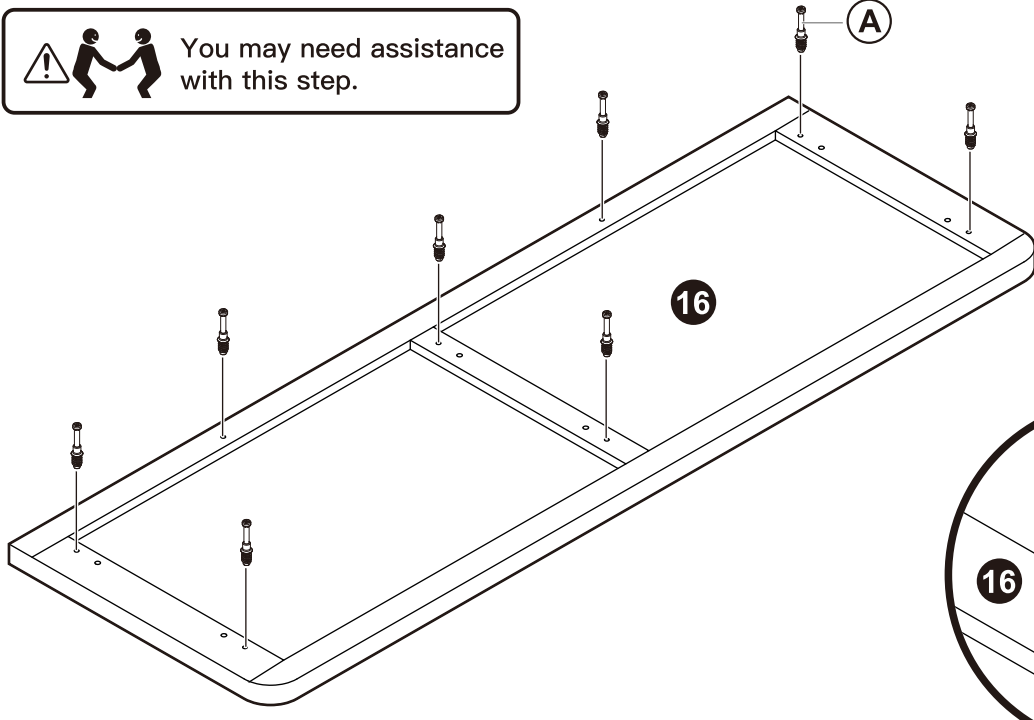
Phillips
Screwdriver
(not included)



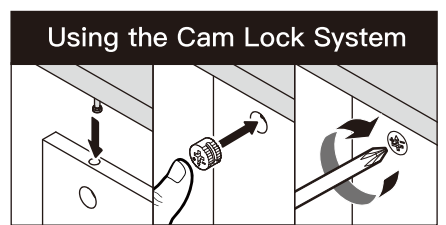
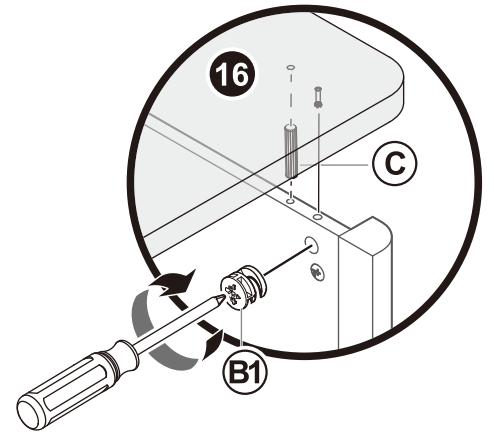
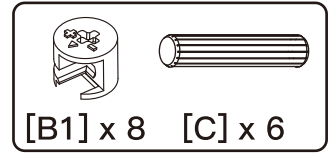
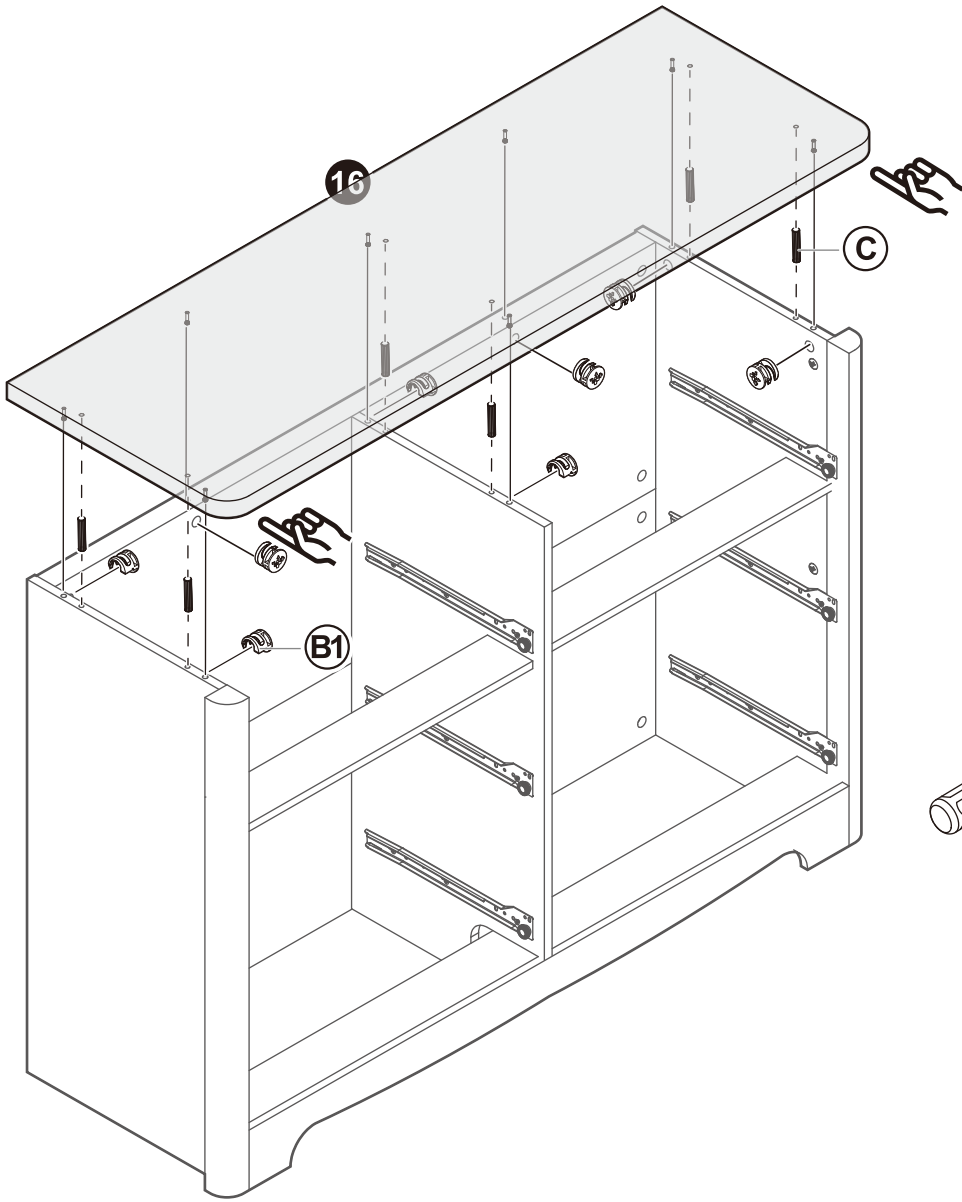
Step 9

Parts and Hardware

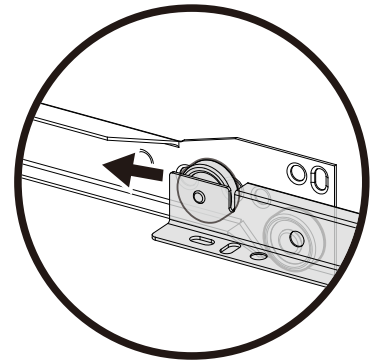
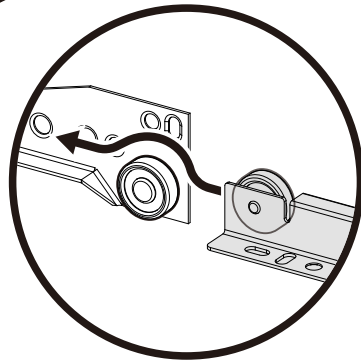
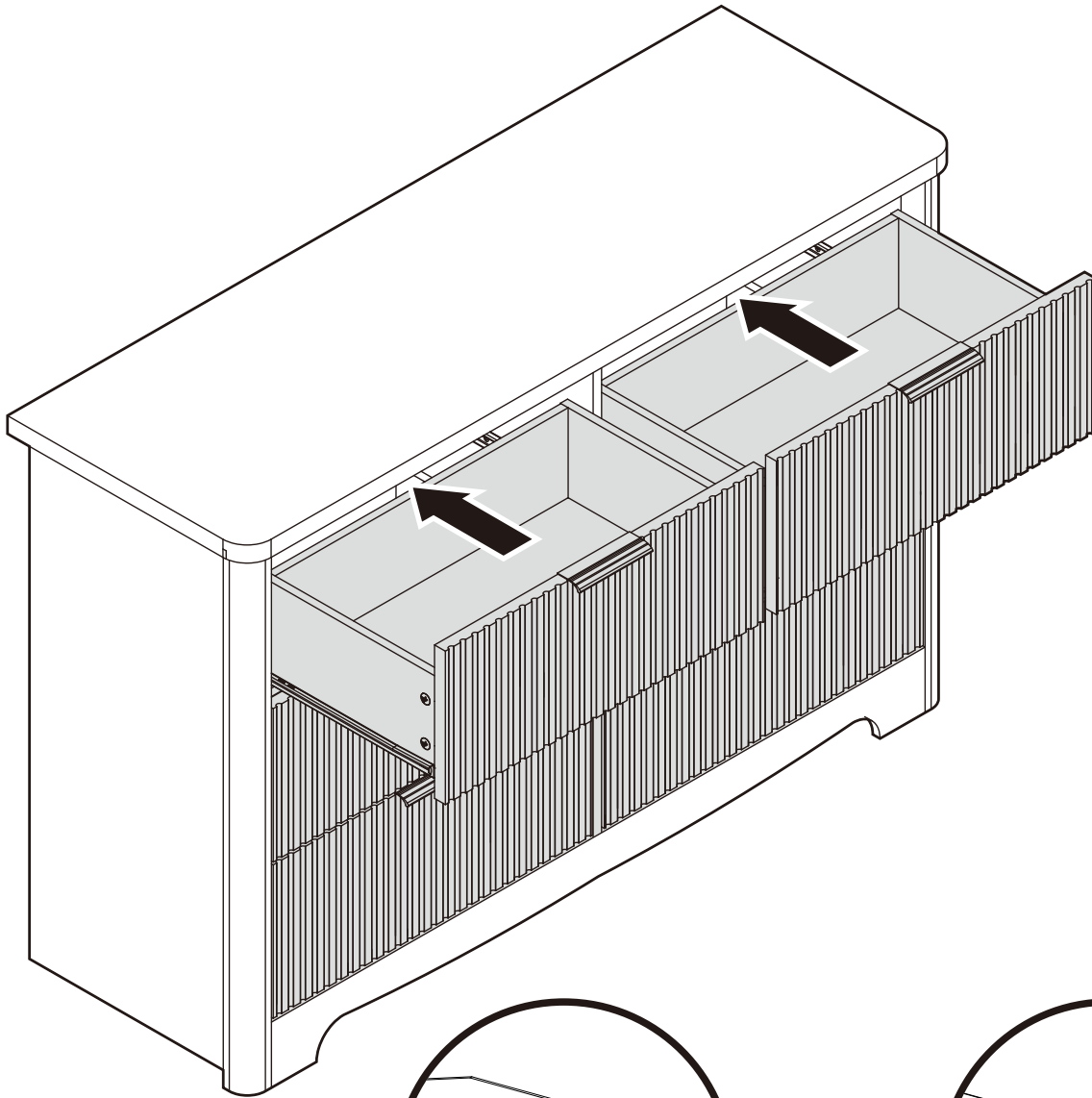
 You may need assistance with this step.



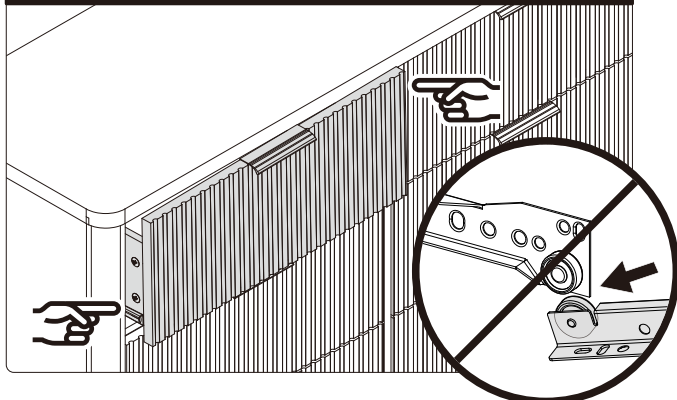
Parts and Hardware



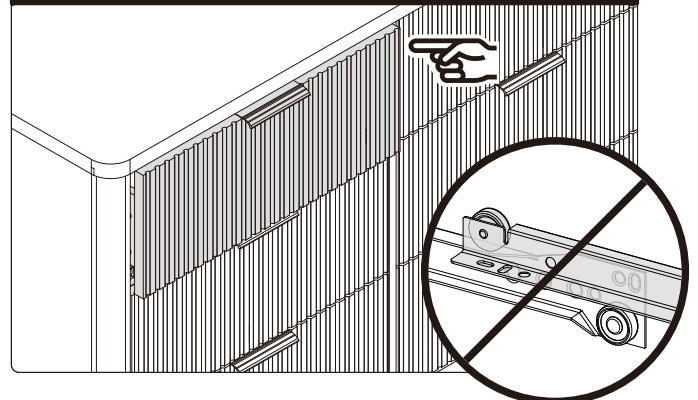
Step 10



Drawer Slide Under Dresser Slide

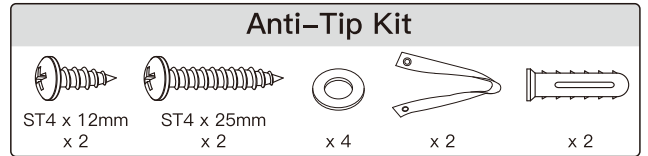
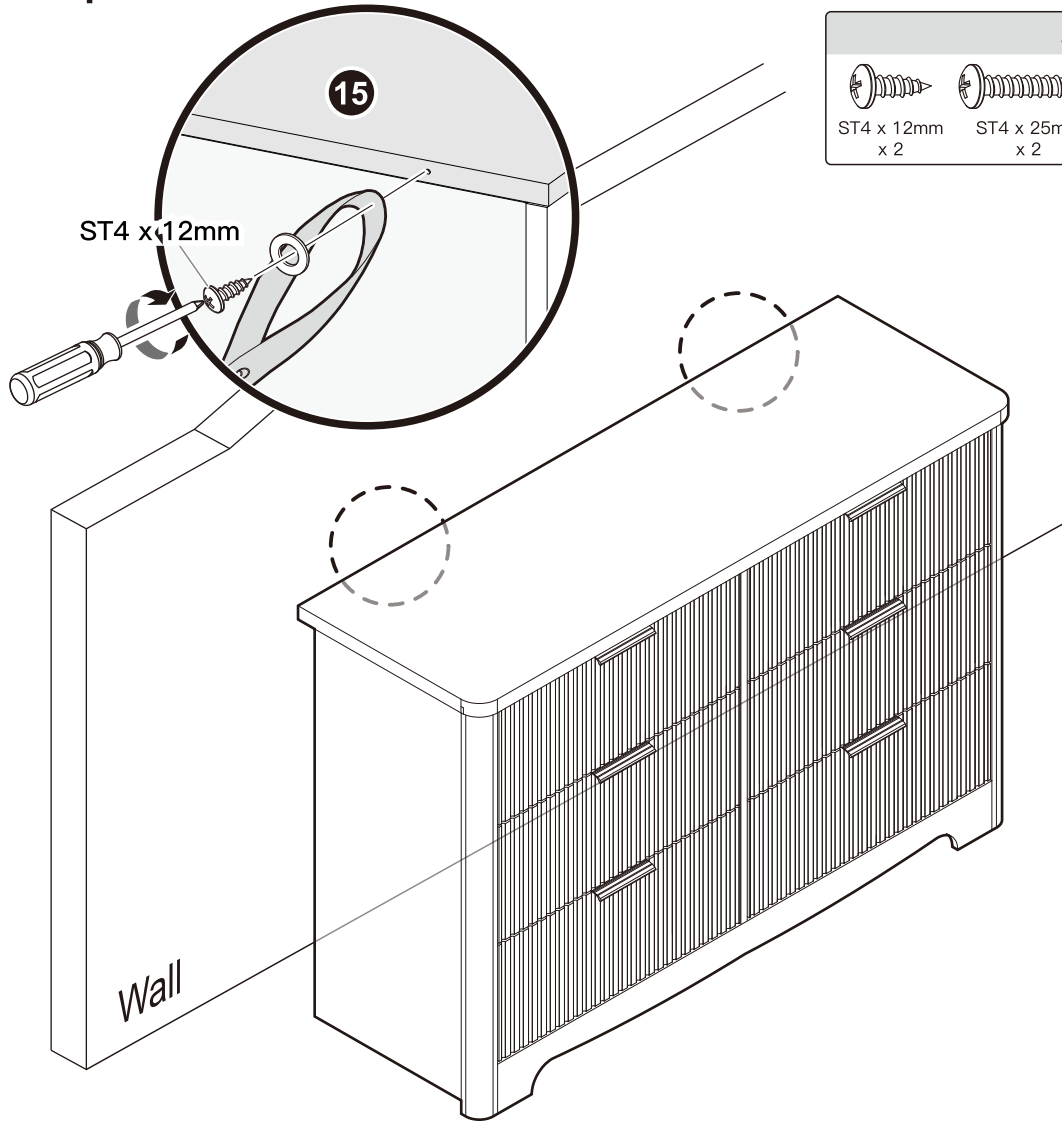


Drawer Slide Not Aligned

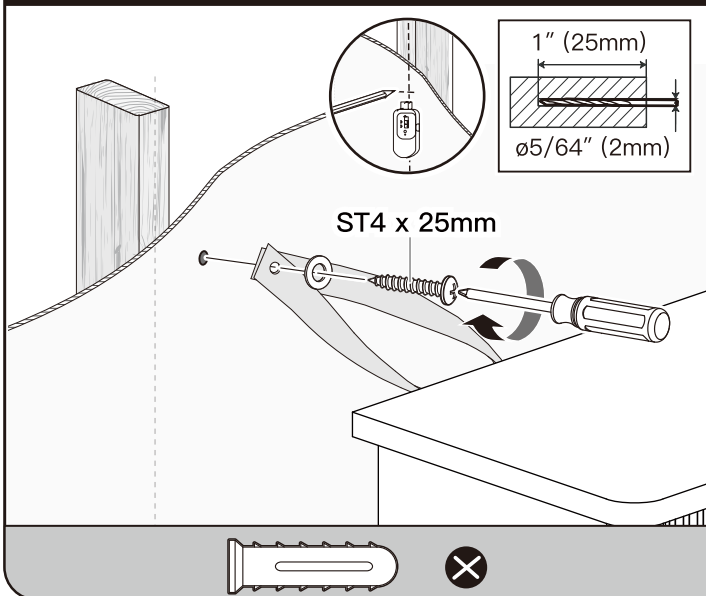


Step 11

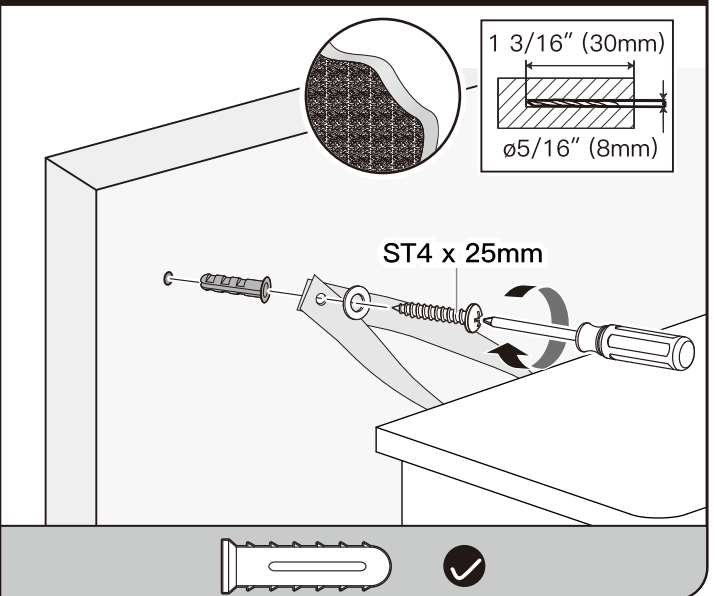
Parts and Hardware



Wood Studs



Solid Concrete



Installation Instructions:

1. Secure the strap to the top of the dresser using a short screw.
2. Determine where the dresser is to be placed. If you have a wood stud wall, locate a stud using a stud finder and mark the centerline.
3. Drill pilot holes in the wall at the appropriate height.
4. Secure the strap to the wall using long screws and washers.

Note: Use wall anchors for solid concrete. Do not use them on wood studs.



877-201-4016 Mon-Fri 8am - 8pm (CST)



help_service_center@outlook.com