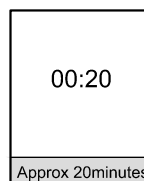
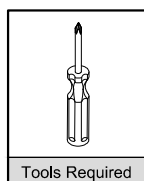
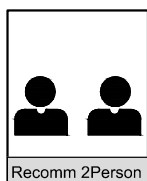
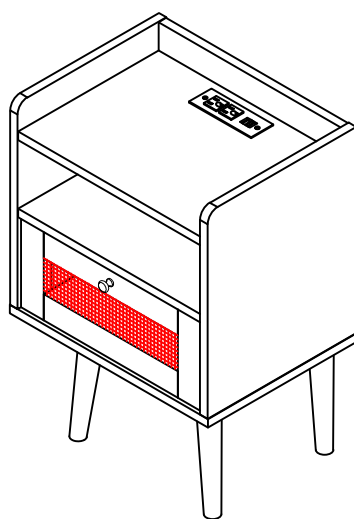


Assembly Instruction

NIGHT STAND

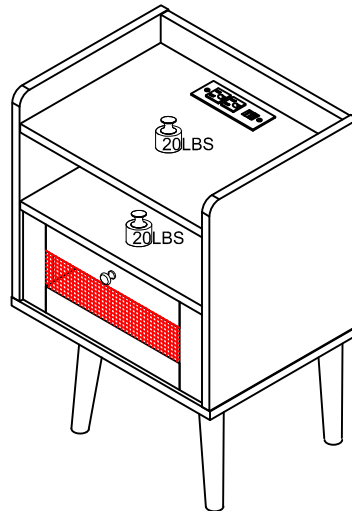
Model No.:RS2211-05





Recommended Maximum Weight

WARNING



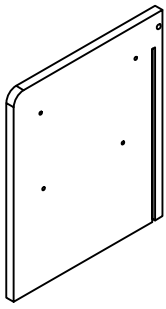
Read all instructions before using this product.

1. This unit has been designed to support the maximum loads shown. Exceeding these load limits could cause sagging, instability, product collapse, and/or serious injury.
2. Avoid sharp objects and corrosive chemicals to prevent damage to the product or bodily injury.
3. Not intended for use in humid environment to prevent mildew, such as bathrooms, laundry areas and similar indoor locations. Do not use outdoors.
4. Don't allow anybody stand or climb on the unit. Serious or fatal crushing injuries can occur from furniture tip over. To prevent tip over this furniture must be used with the wall attachment devices provided.

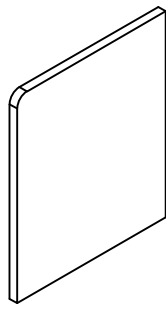
Useful Hints before you start:

1. Place soft packaging material on the floor to protect surface of product during assembly work.
2. It is important that each step is performed in correct order to avoid difficulties.
3. Align all screws with corresponding pre-drilled holes first and tighten.
4. Screws may become loose during long-term use, retighten them to ensure stability and security.
5. Using incompatible hardware might cause damage to product.

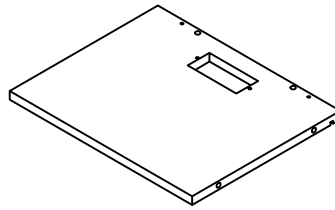
Parts Identification



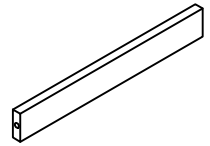
①*1



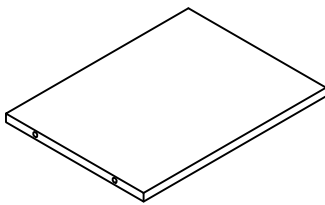
②*1



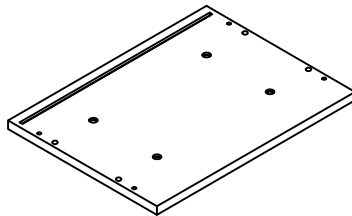
③*1



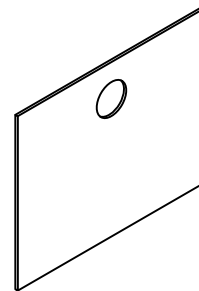
④*1



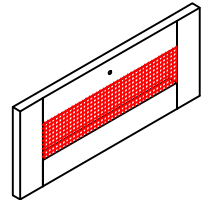
⑤*1



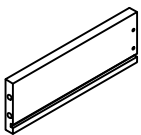
⑥*1



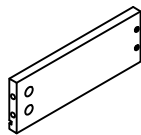
⑦*1



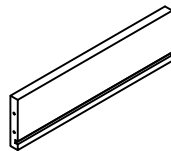
⑧*1



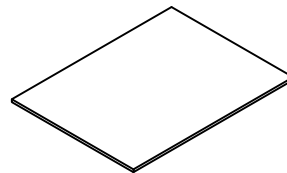
⑨*1



⑩*1



⑪*1



⑫*1



⑬*4

Hardware Identification



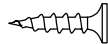
A*12+1



B*6



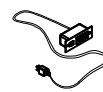
C*8



D*18+1



E*1



F*1



G*4



H*4



I*1



M3

J*6



M4

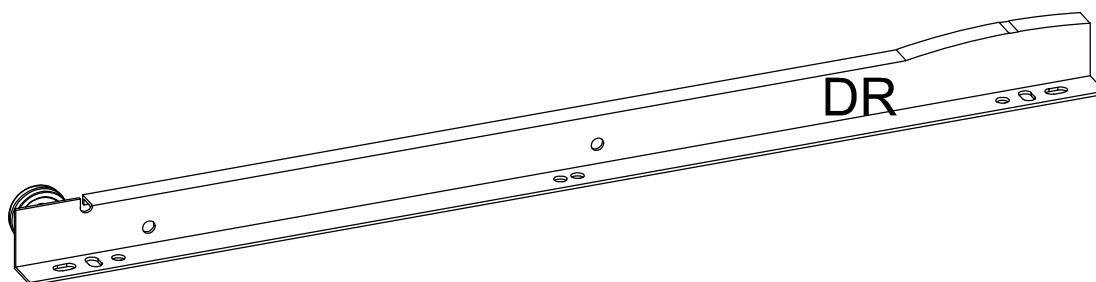
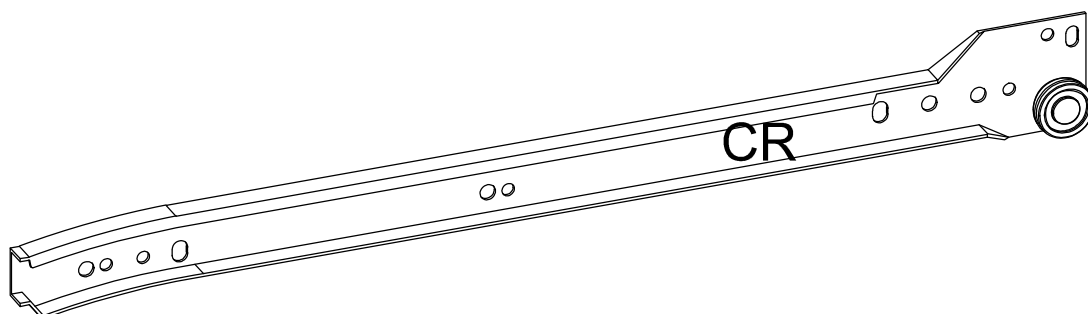
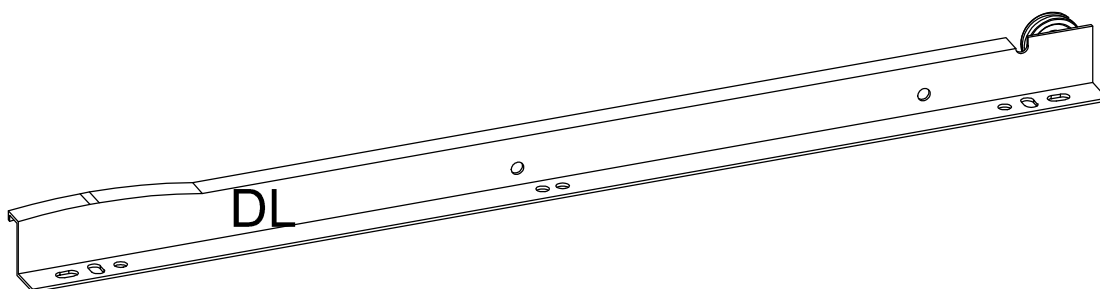
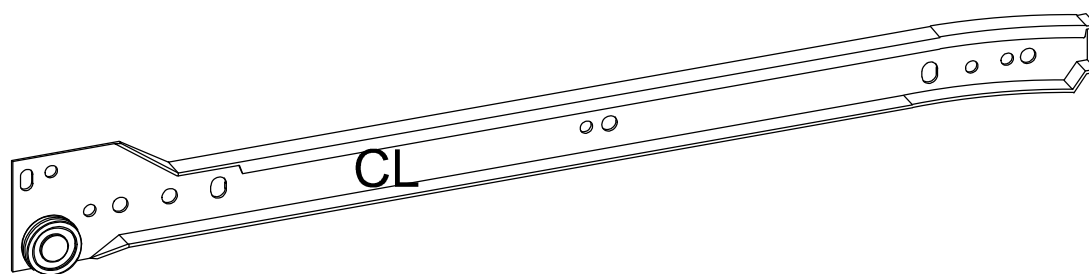
K*1



L*4

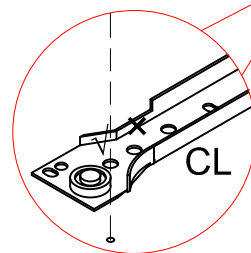
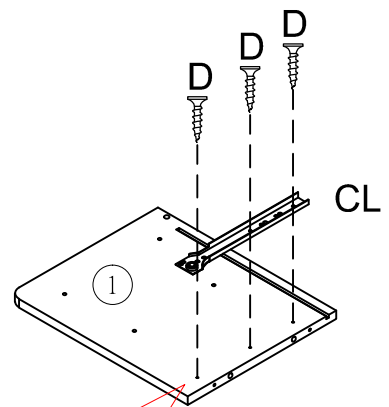
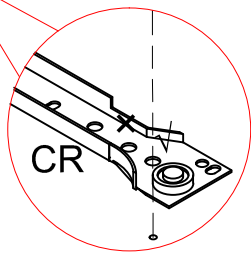
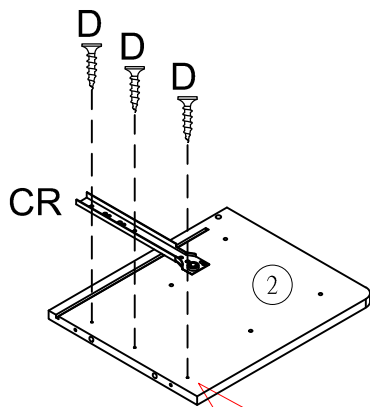
Extra hardware is enclosed for your convenience.

Don't confuse hardware left with right.



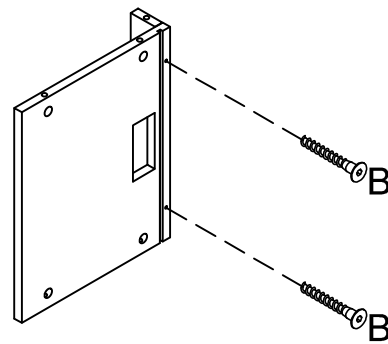
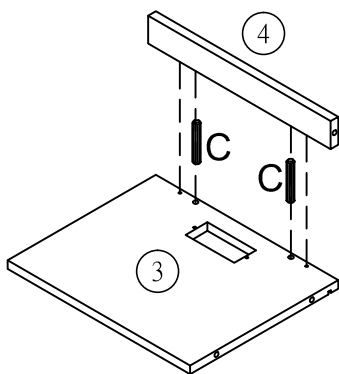
1*1

STEP1



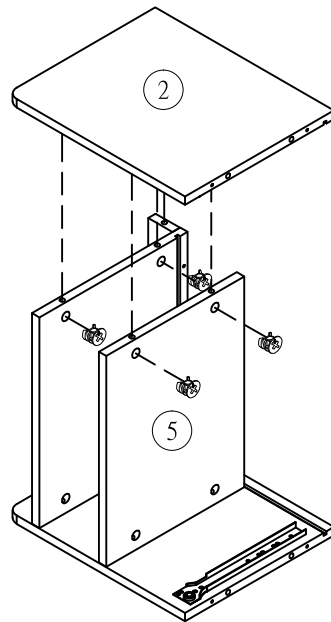
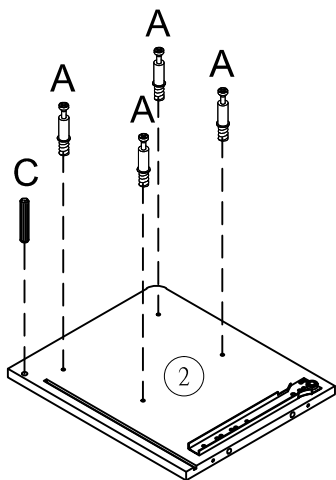
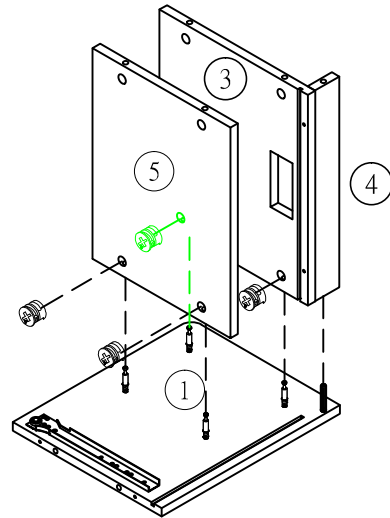
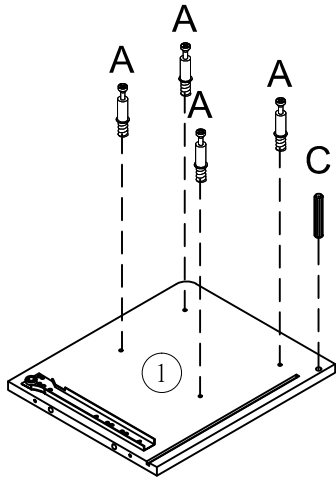
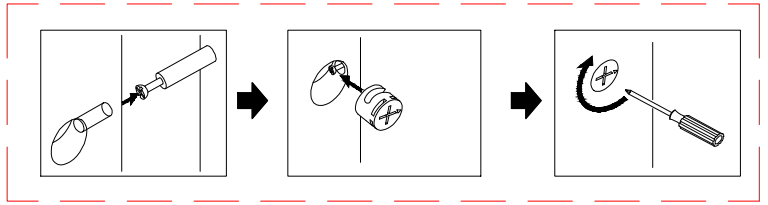
① *1 ② *1 CR*1 CL*1 D*6

STEP2



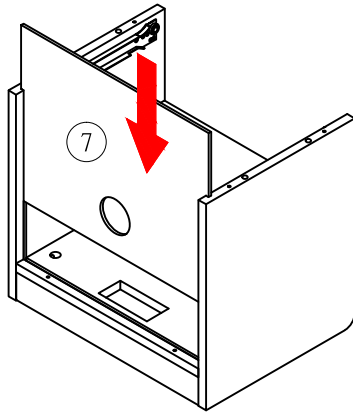
③ *1 ④ *1 C*2 B*2 J#1

STEP 3



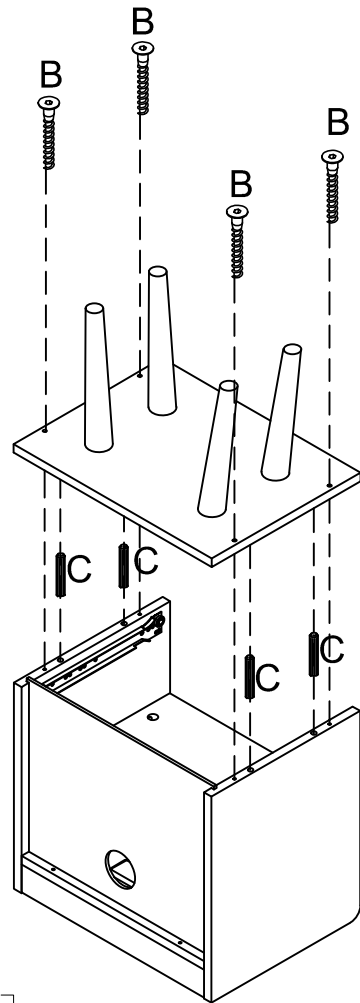
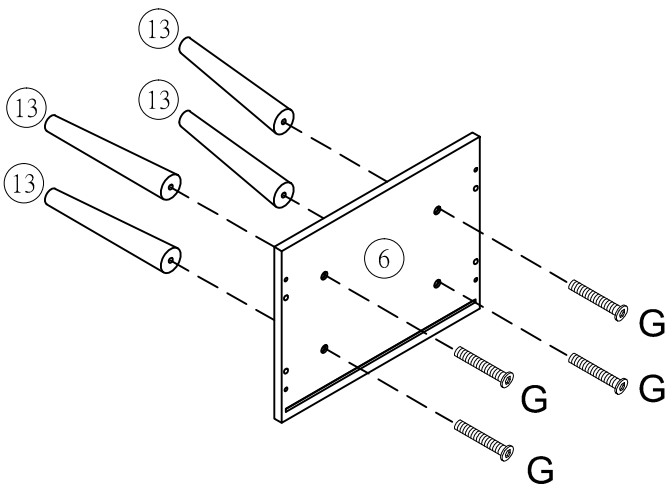
① *1 ② *1 ⑤ *1 A*8 C*2

STEP4



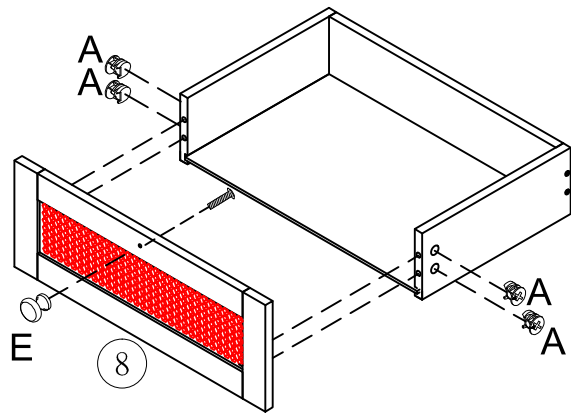
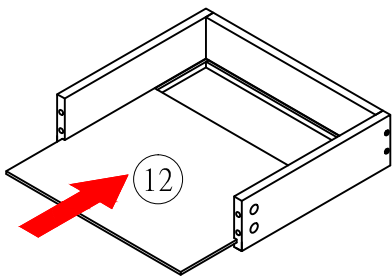
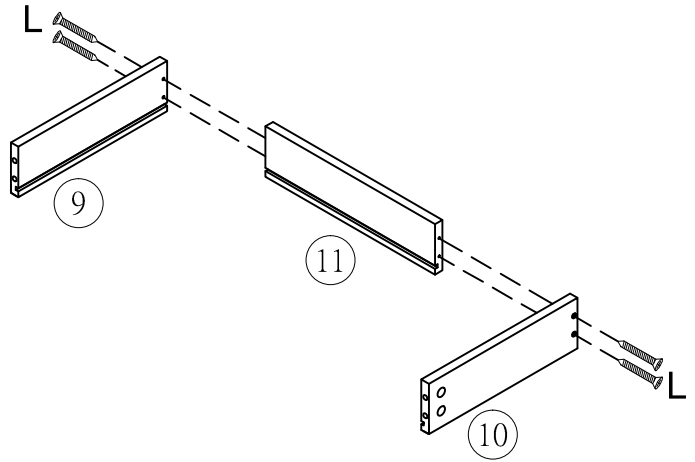
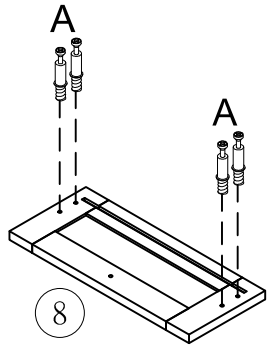
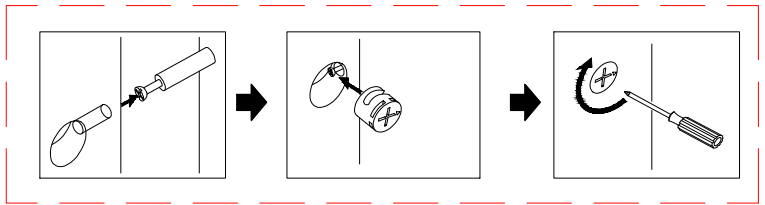
⑦ *1

STEP5



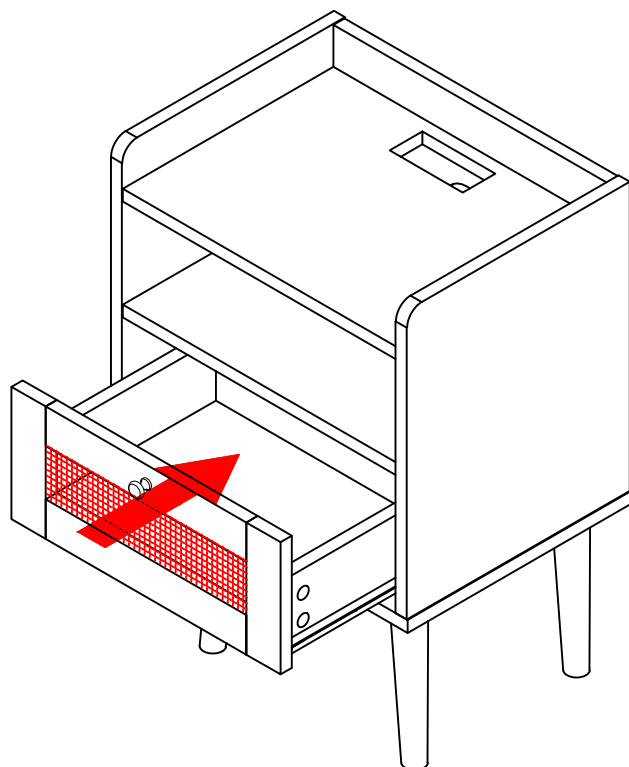
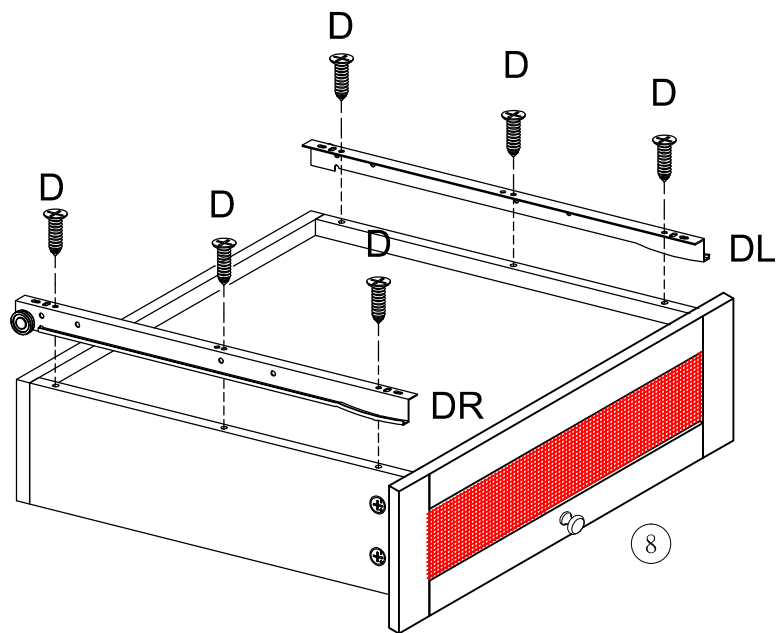
⑥ *1 ⑬ *4 G*4 C*4 B*4 K#1 J#1

STEP 6



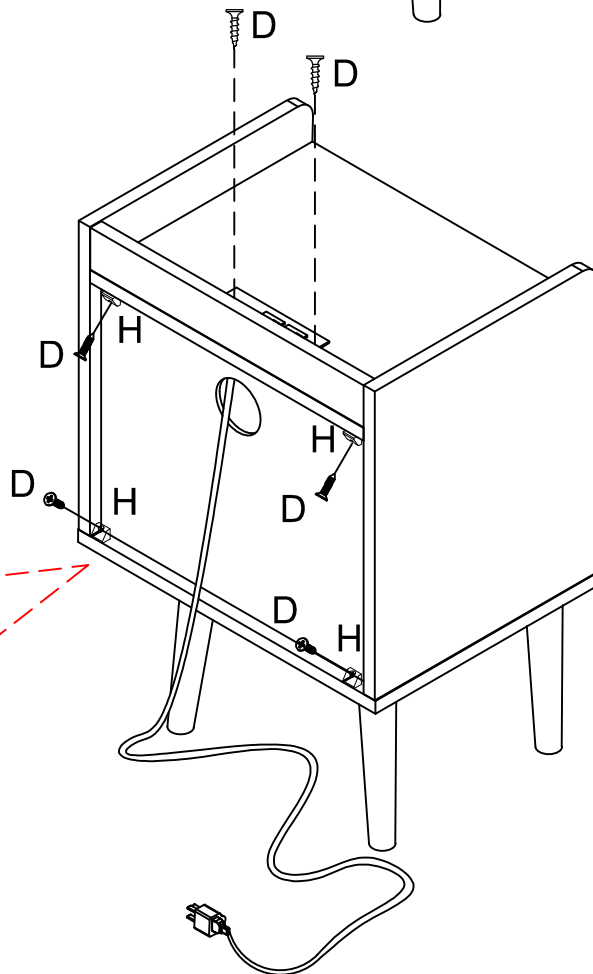
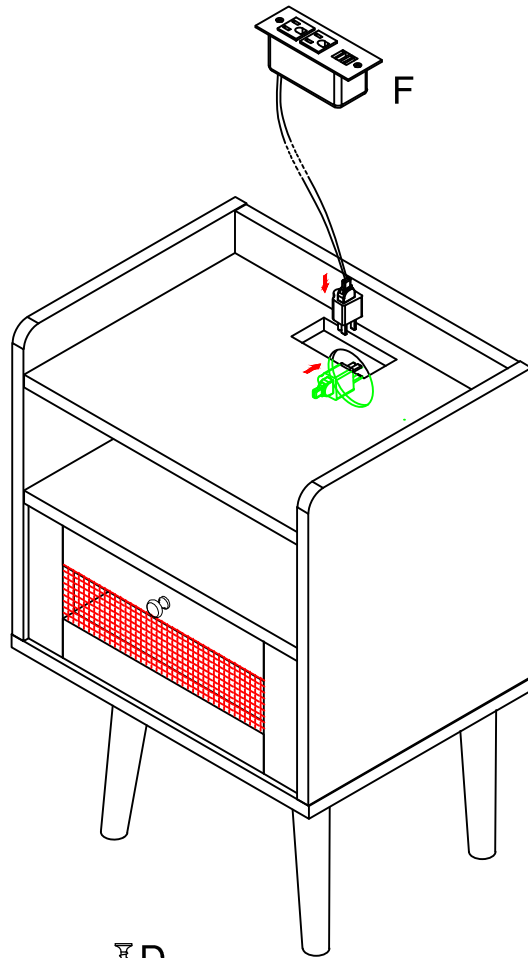
- ⑧ *1 ⑨ *1 ⑩ *1 ⑪ *1 ⑫ *1 A*4 L*4 E*1

STEP 7



DR*1 DL*1 D*6

STEP 8



F*1 H*4 D*6