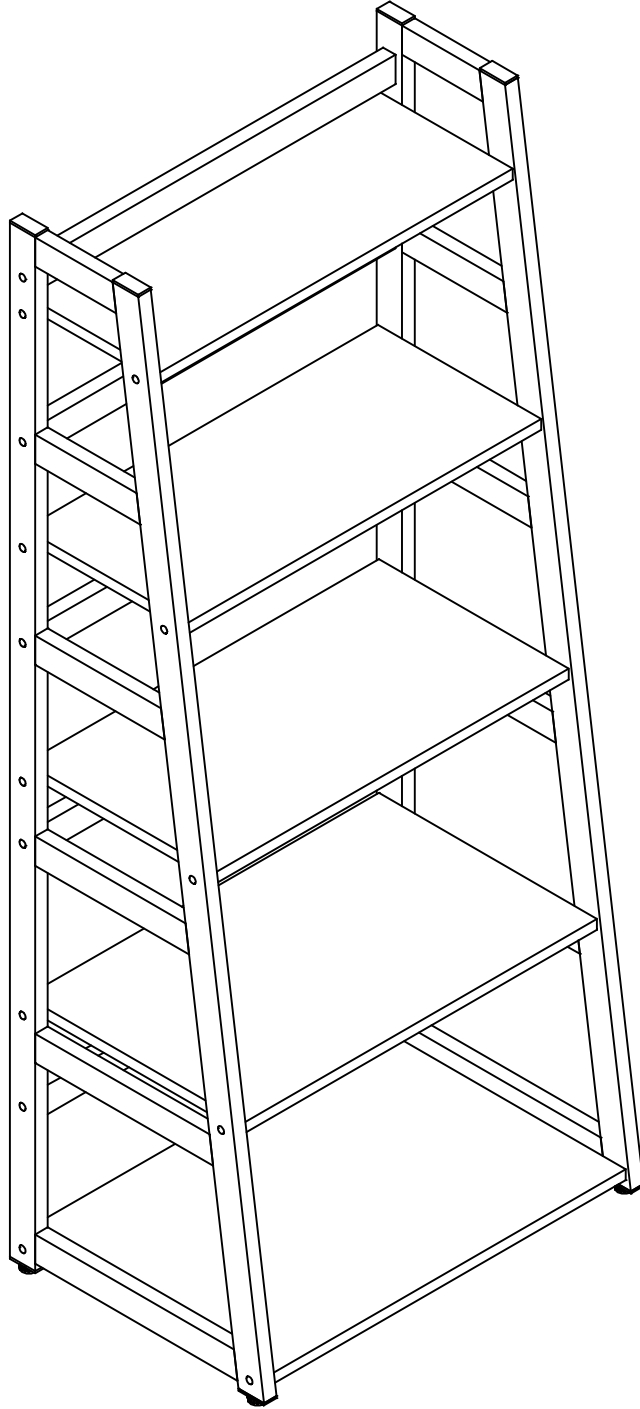
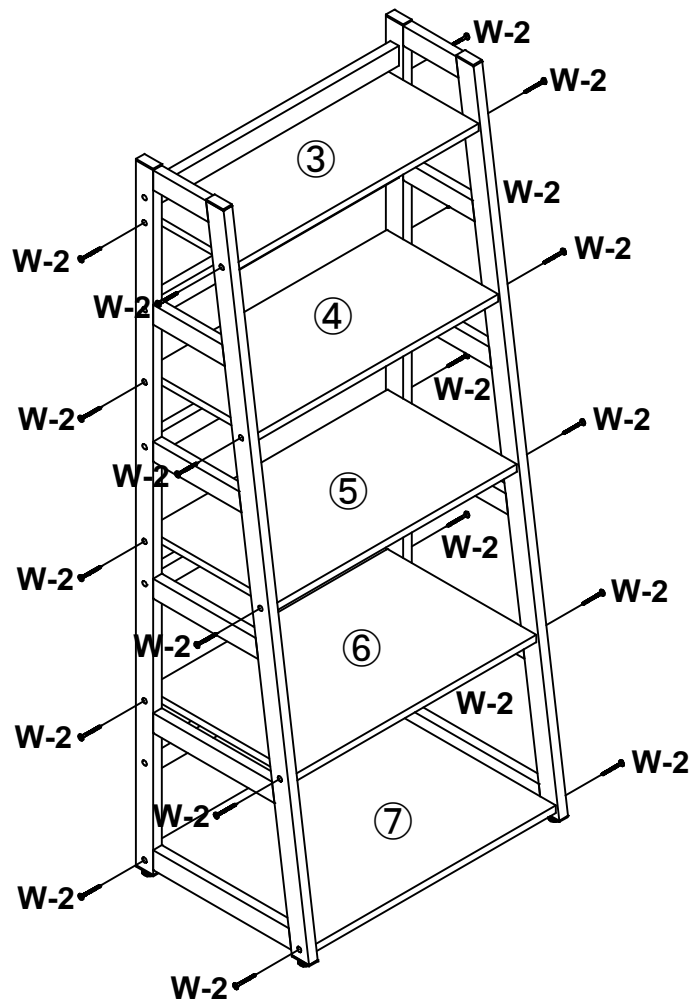


# Installation instructions

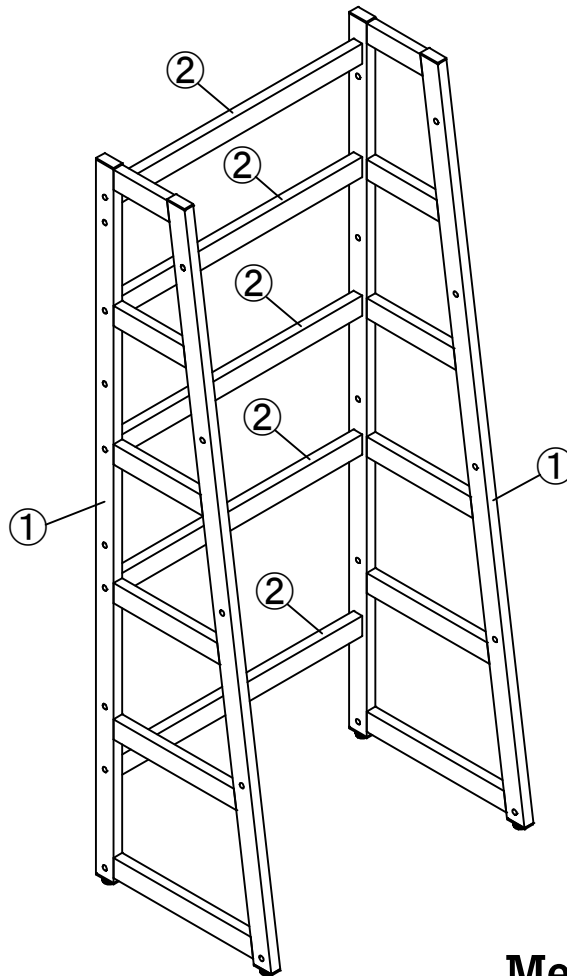




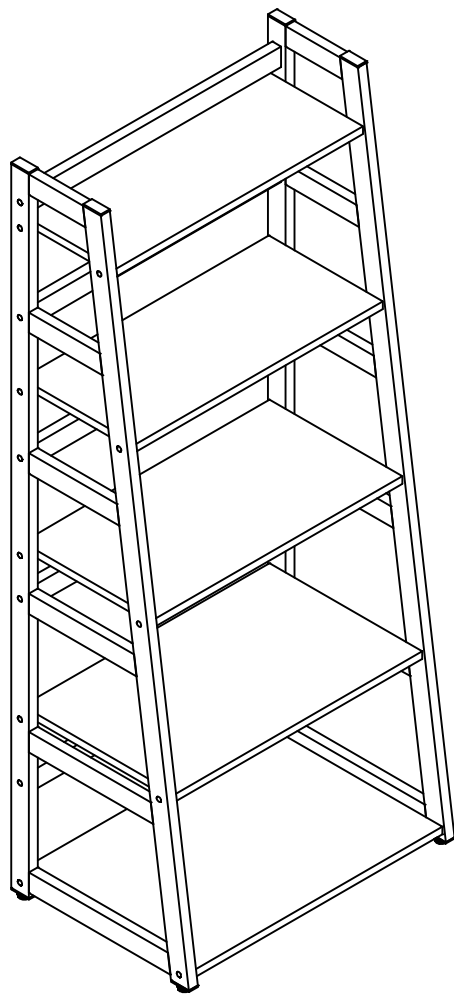


W-2

02



Metal frame assembled



**Complete**