

Instruction Manual

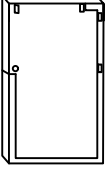
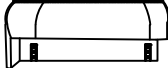
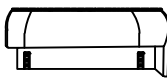


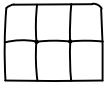


Thank you for shopping with us!

If any parts is missing, broken upon receipt or you need any help from us. for the FASTEST solutions, please FIRSTLY CONTACT US

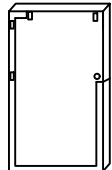
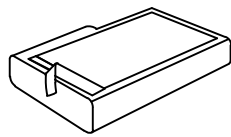
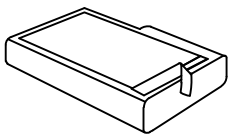
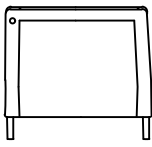
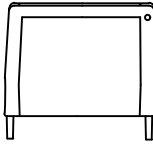
Accessories list

2 Seater sofas on the left

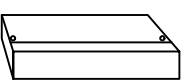
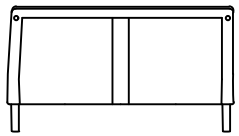
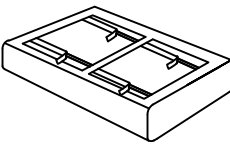



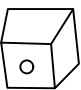



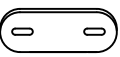



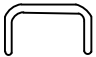
Note: all the parts or hardware marked with*are tucked under seat frame

| | | | | |
|---|--|---|--|---|
| <p>A</p>  <p>Left seat frame(1)</p> | <p>B*</p>  <p>Left armrest(1)</p> | <p>C*</p>  <p>Right armrest(1)</p> | <p>D*</p>  <p>Left armrest soft bag(1)</p> | <p>E*</p>  <p>Right armrest soft bag(1)</p> |
| <p>F*</p>  <p>Backrest cushion(2)</p> | <p>G*</p>  <p>Right upper seat cushion (1)</p> | <p>H*</p>  <p>Left upper seat cushion (1)</p> | | |

2 Seater sofas on the right

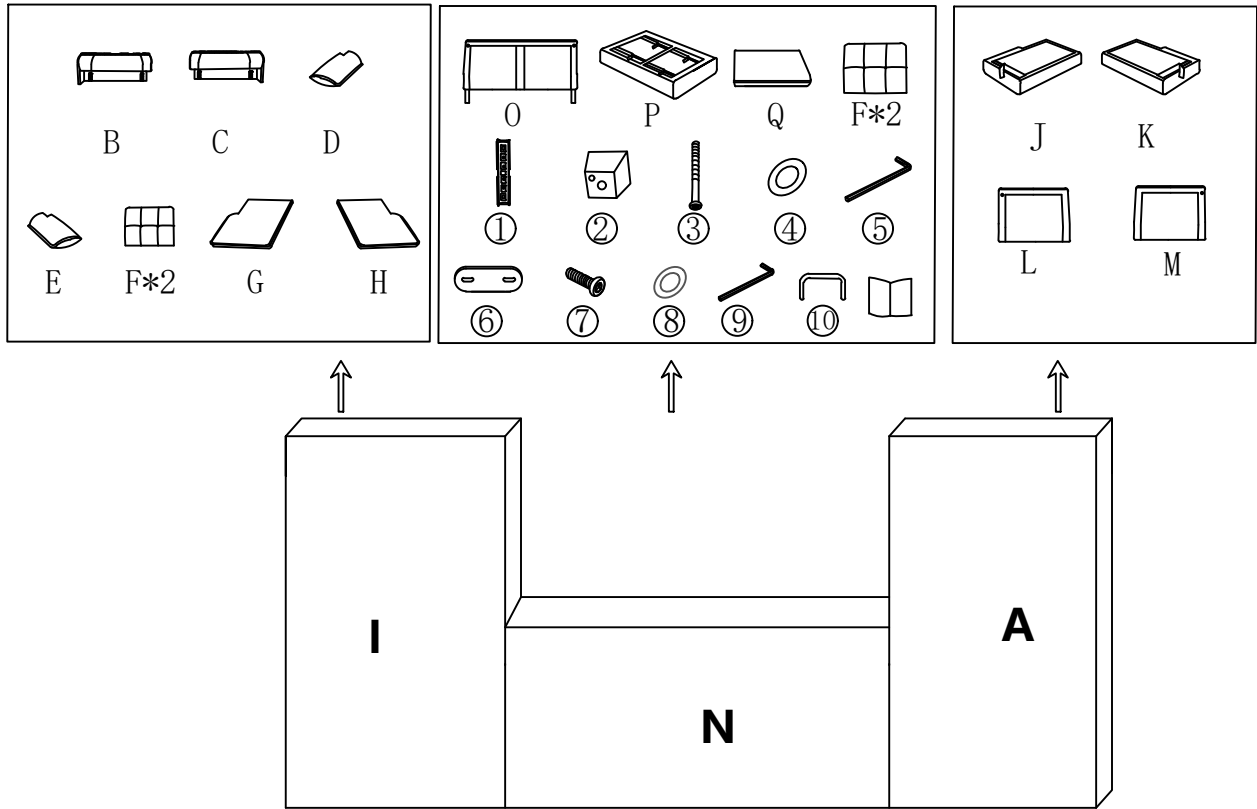
| | | | | |
|--|---|--|--|---|
| <p>I</p>  <p>Right seat frame(1)</p> | <p>J*</p>  <p>Right seat cushion(1)</p> | <p>K*</p>  <p>Left seat cushion(1)</p> | <p>L*</p>  <p>Left backrest(1)</p> | <p>M*</p>  <p>Right backrest(1)</p> |
|--|---|--|--|---|

2 Seater sofa

| | | | | |
|---|--|--|--|---|
| <p>N</p>  <p>Double seat frame(1)</p> | <p>O*</p>  <p>Double backrest(1)</p> | <p>P*</p>  <p>Double seat cushion(1)</p> | <p>Q*</p>  <p>Upper double seat cushion(2)</p> | <p>F*</p>  <p>Backrest cushion(2)</p> |
| <p>①*</p>  <p>Latch(4)</p> | <p>②*</p>  <p>Leg(12)</p> | <p>③*</p>  <p>8*65 Screw(12)</p> | <p>④*</p>  <p>17mm Gasket(12)</p> | <p>⑤*</p>  <p>M5*100*55mm Wrench(1)</p> |
| <p>⑥*</p>  <p>50 Metal plate(2)</p> | <p>⑦*</p>  <p>6*25 Screw(4)</p> | <p>⑧*</p>  <p>13mm Gasket(4)</p> | <p>⑨*</p>  <p>M4*65*23 Wrench(1)</p> | <p>⑩*</p>  <p>70mm U connector(2)</p> |
| <p>Instruction Manual(1)</p> | | | | |

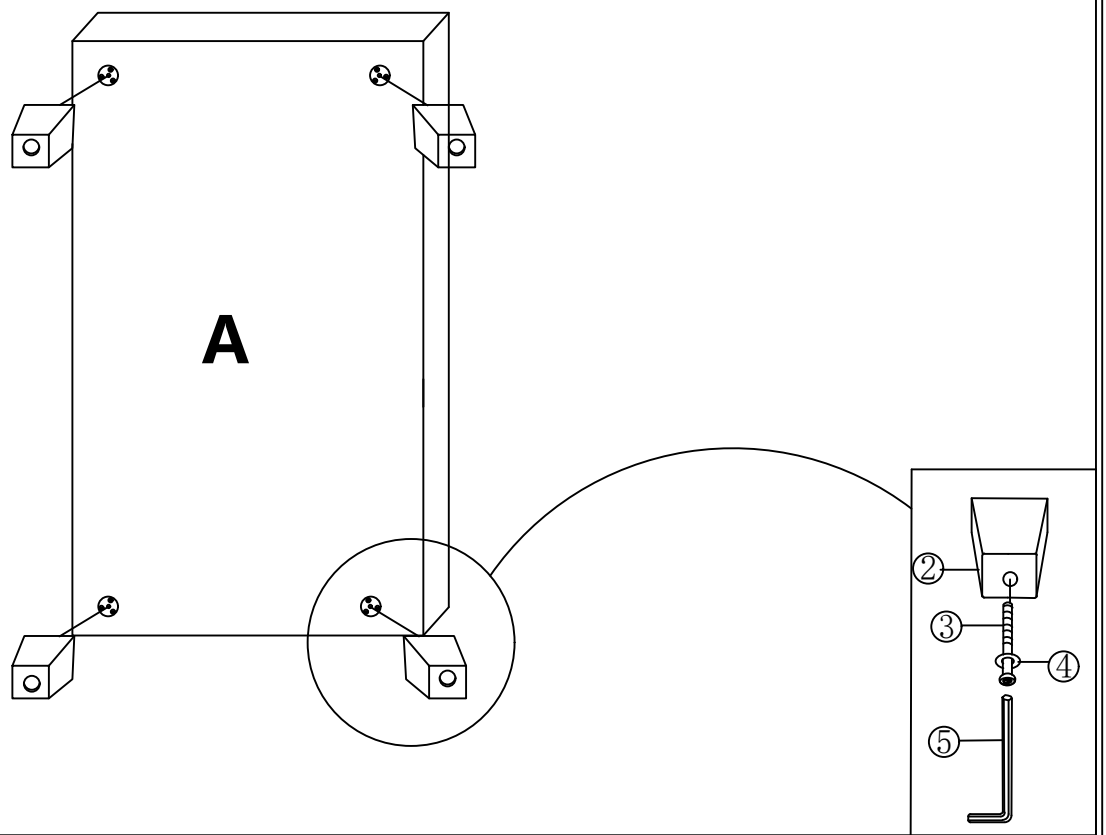
STEP1:

Get all the hidden parts out of I,A and N



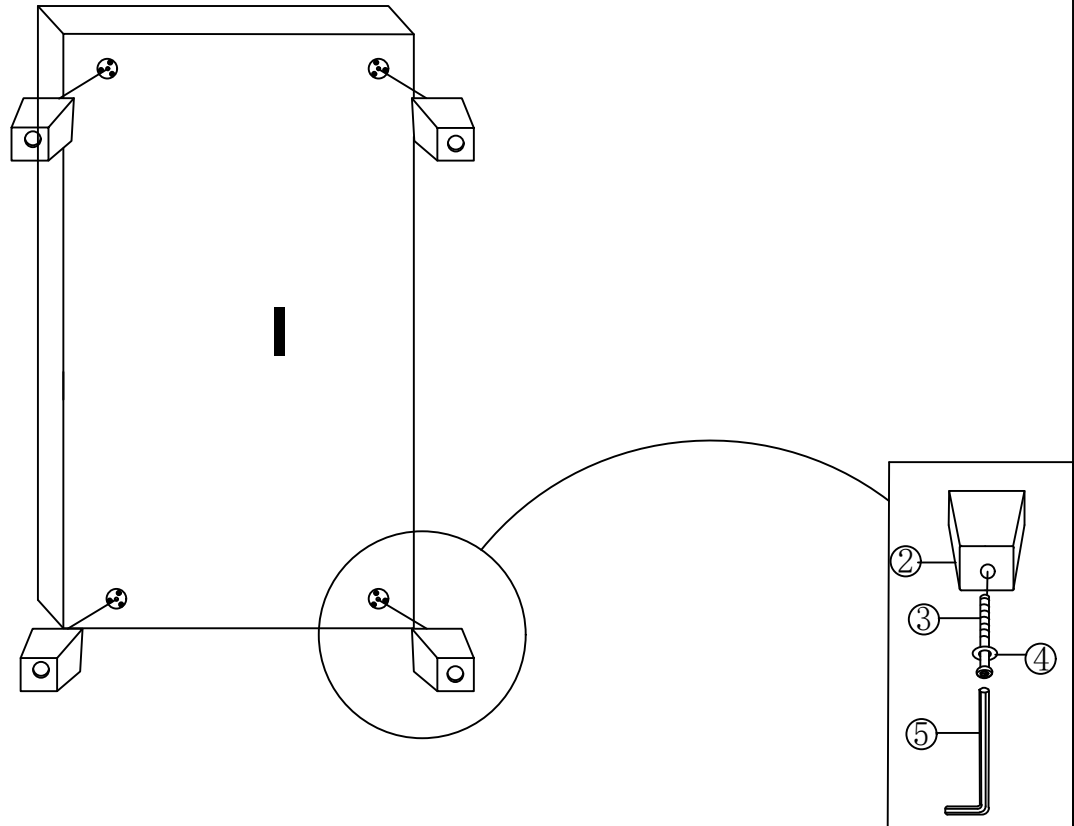
STEP2:

Install the legs to the left seat frame



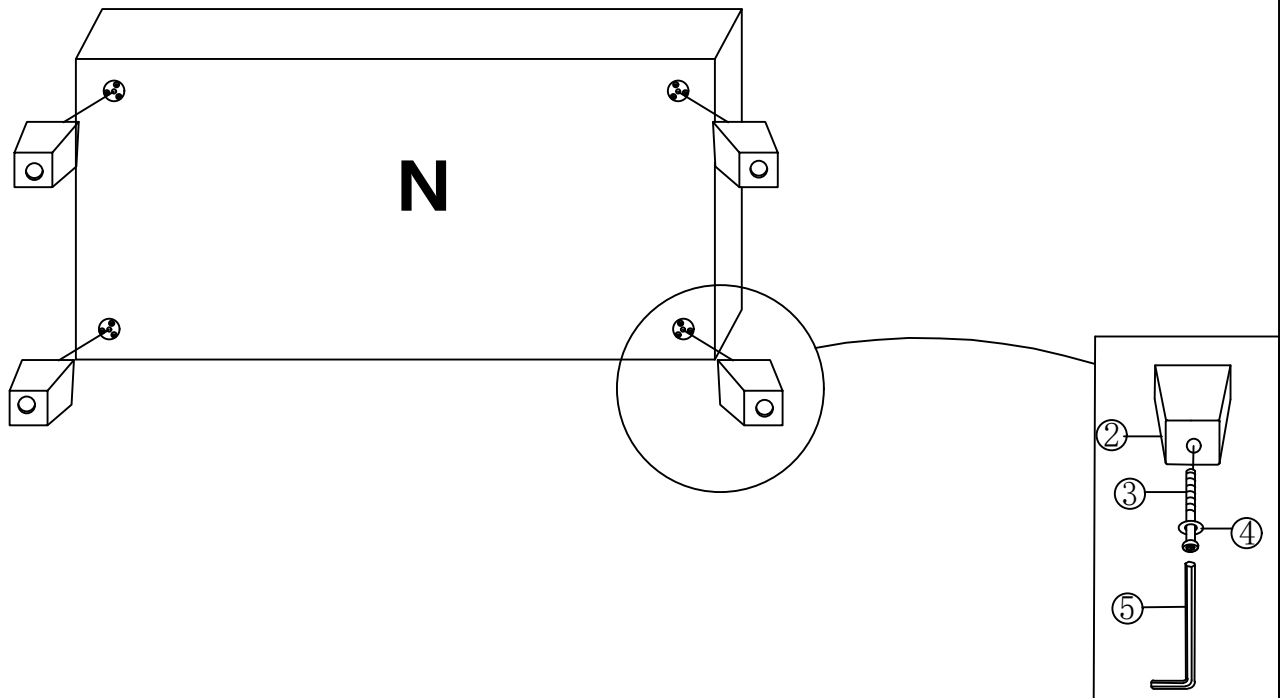
STEP3:

Install the legs to the right seat frame

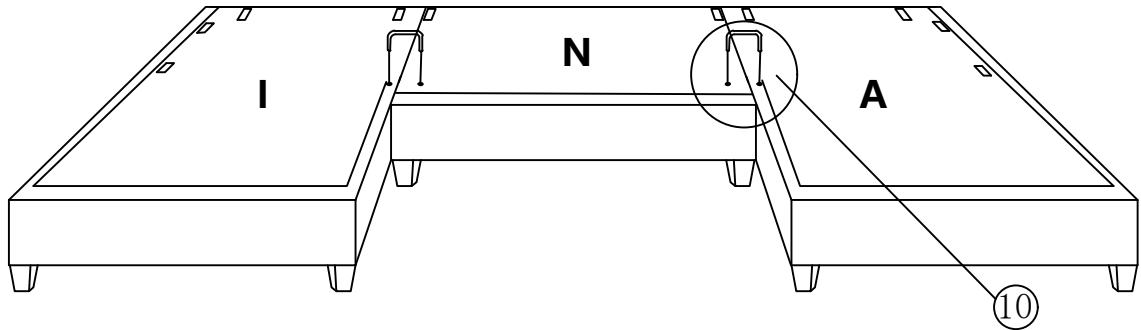


STEP4:

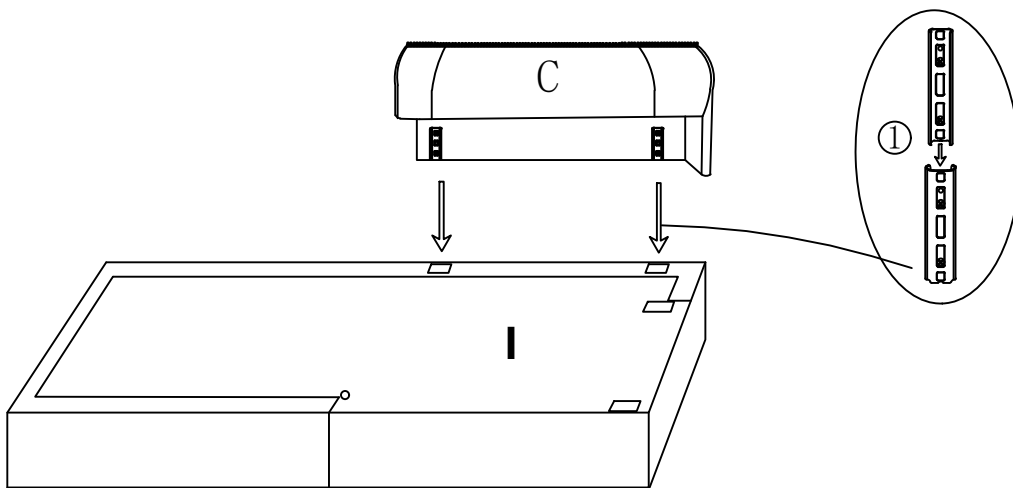
Install the legs to the double seat frame



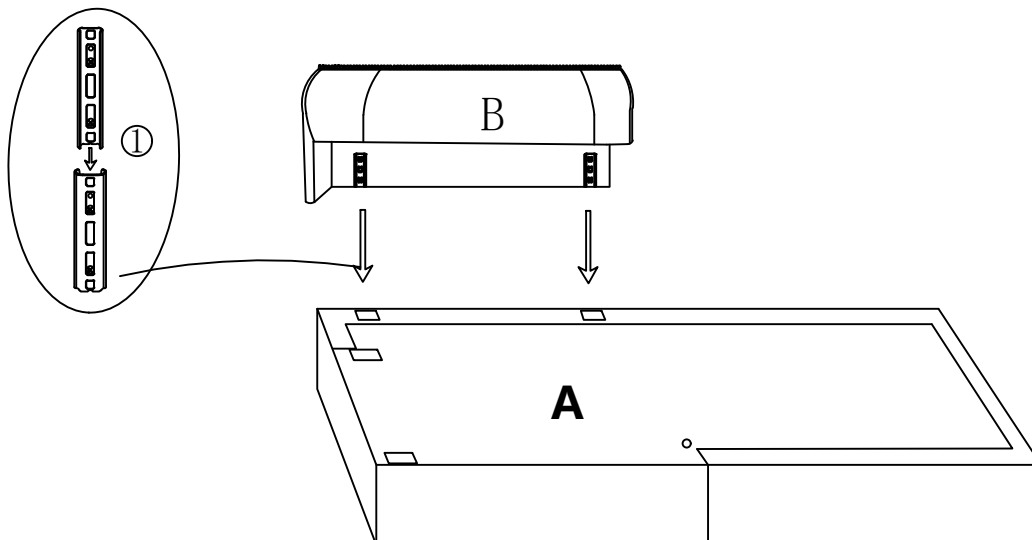
STEP5: Use the U-connector to connect the the seat frames together



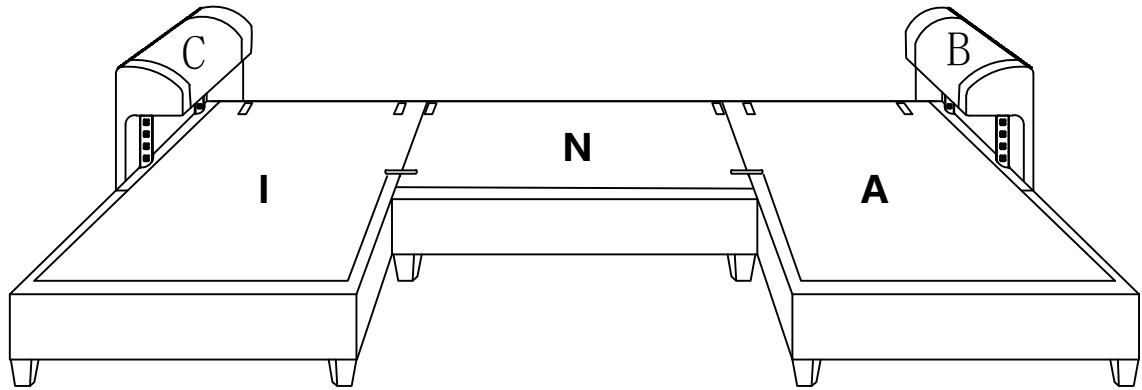
STEP6: Attach the right armrest to the right seat frame



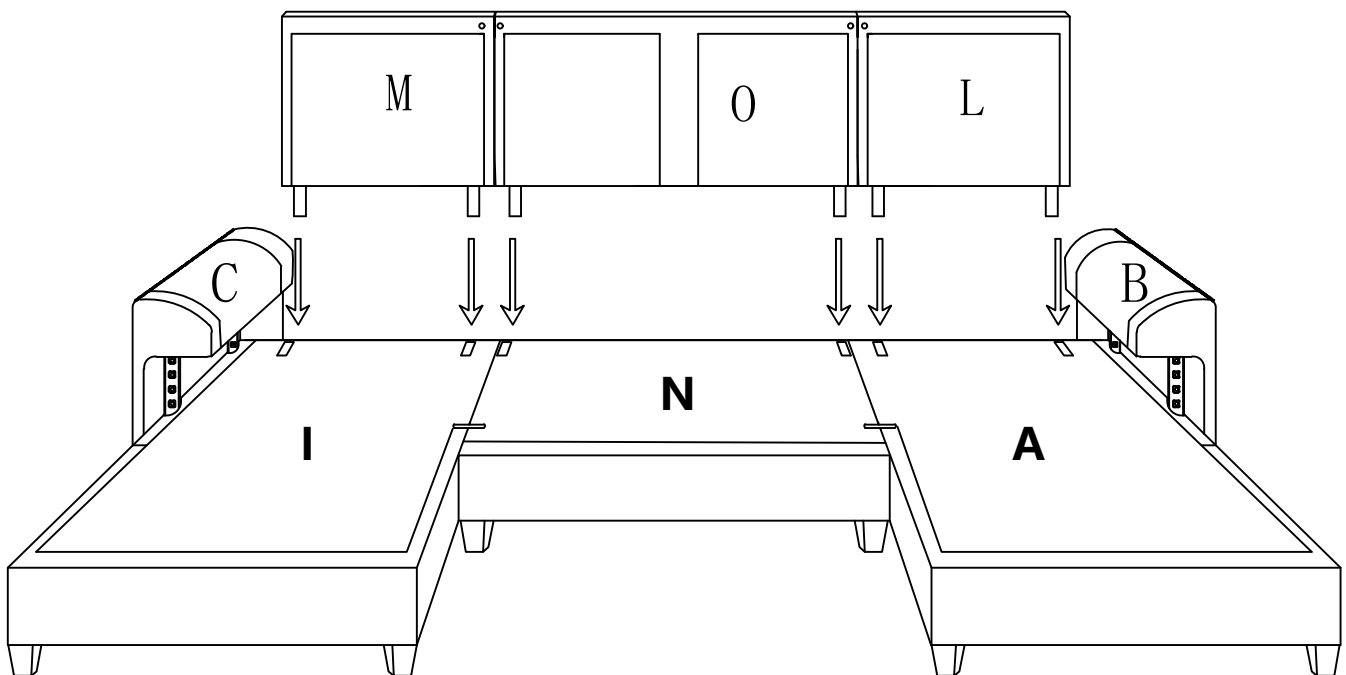
STEP7: Attach the left armrest to the left seat frame



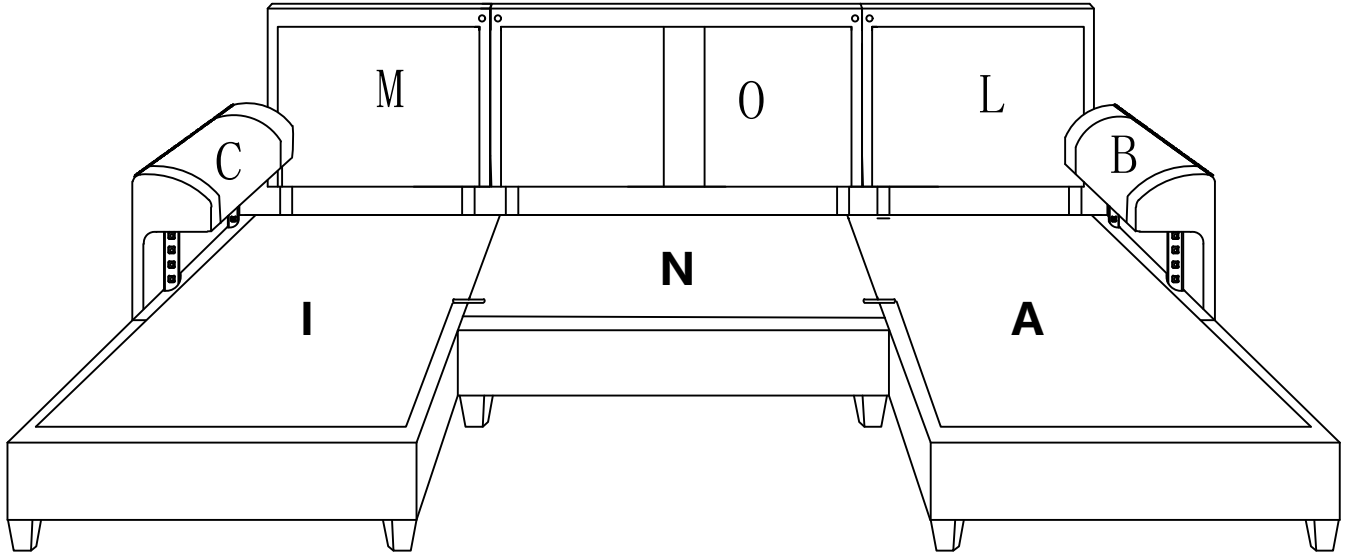
STEP8: The armrests were assembled



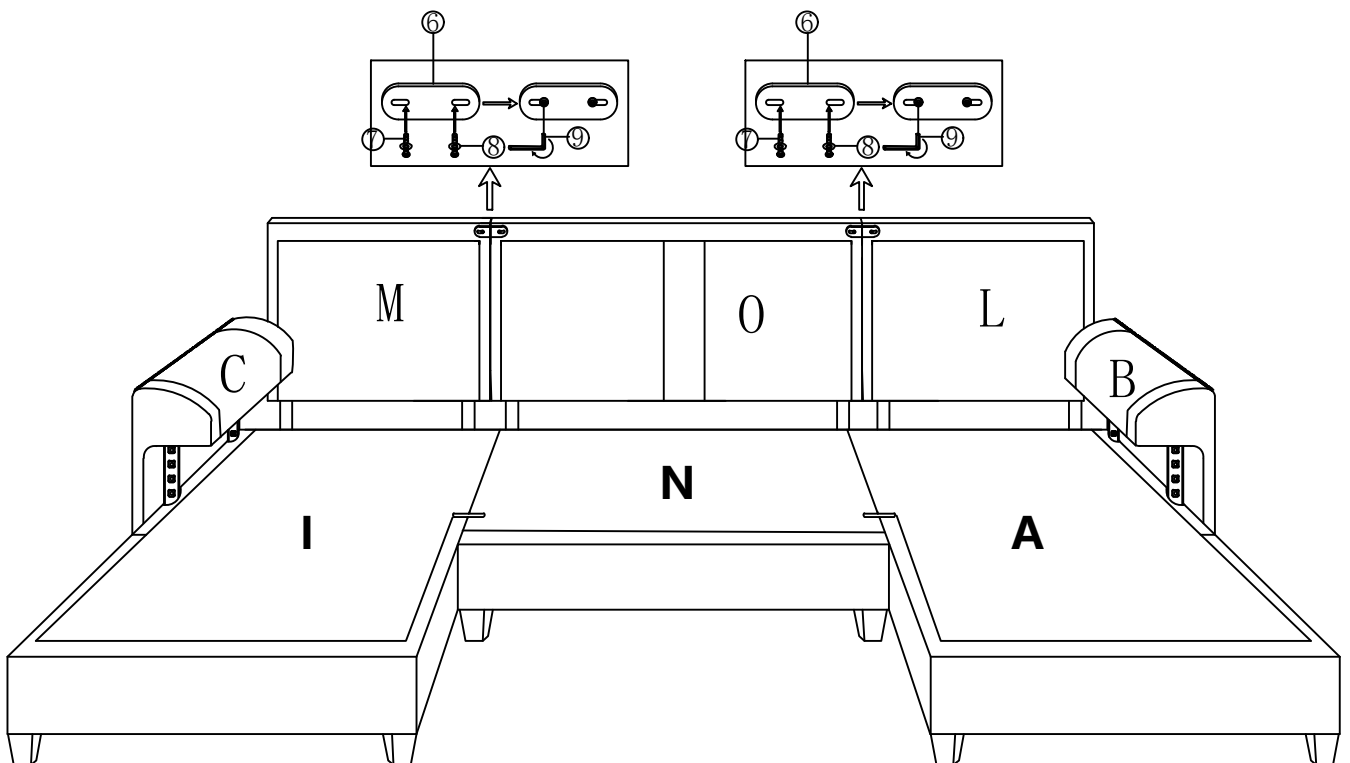
STEP9: Insert the backrest to the seat frame and push it till it stops



STEP10: The backrest assembly is complete

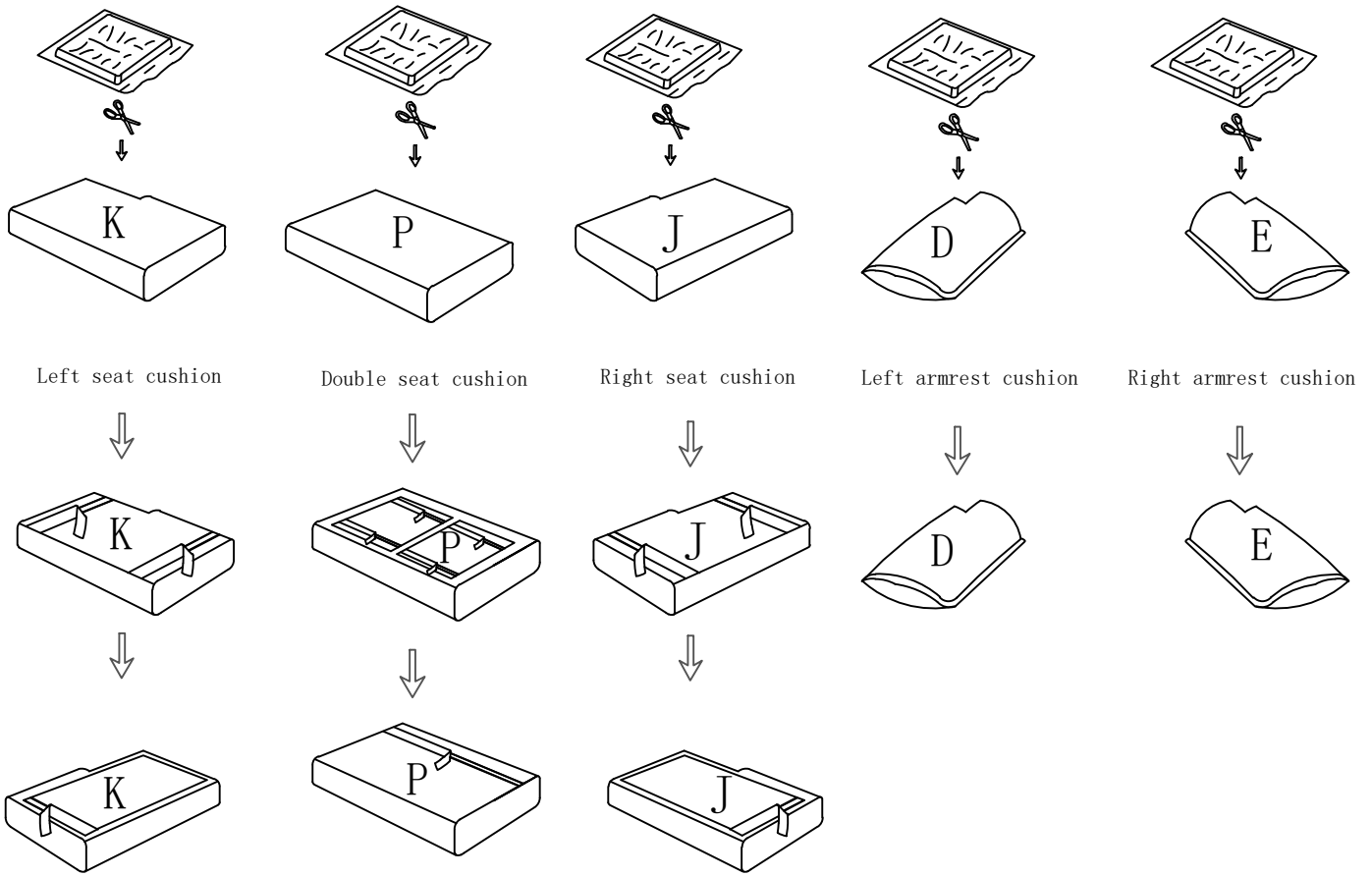


STEP11: Fix the metal plate to reinforce the backrests together



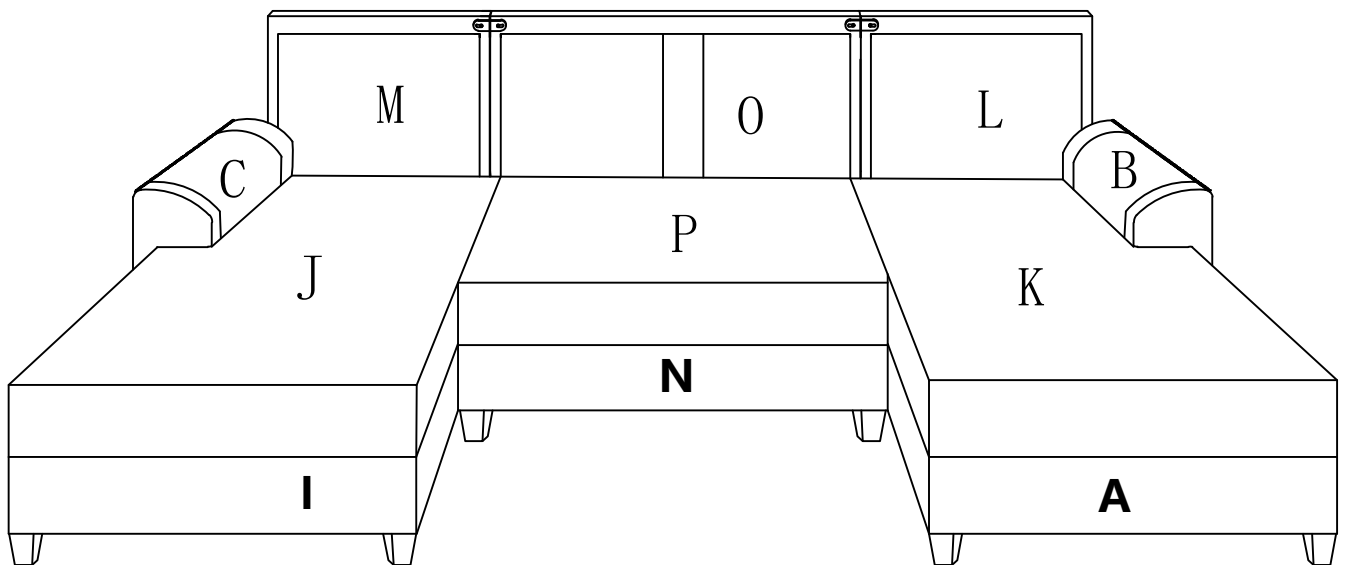
STEP12:

Cut the compression bags and tear off the velcro on the cushions

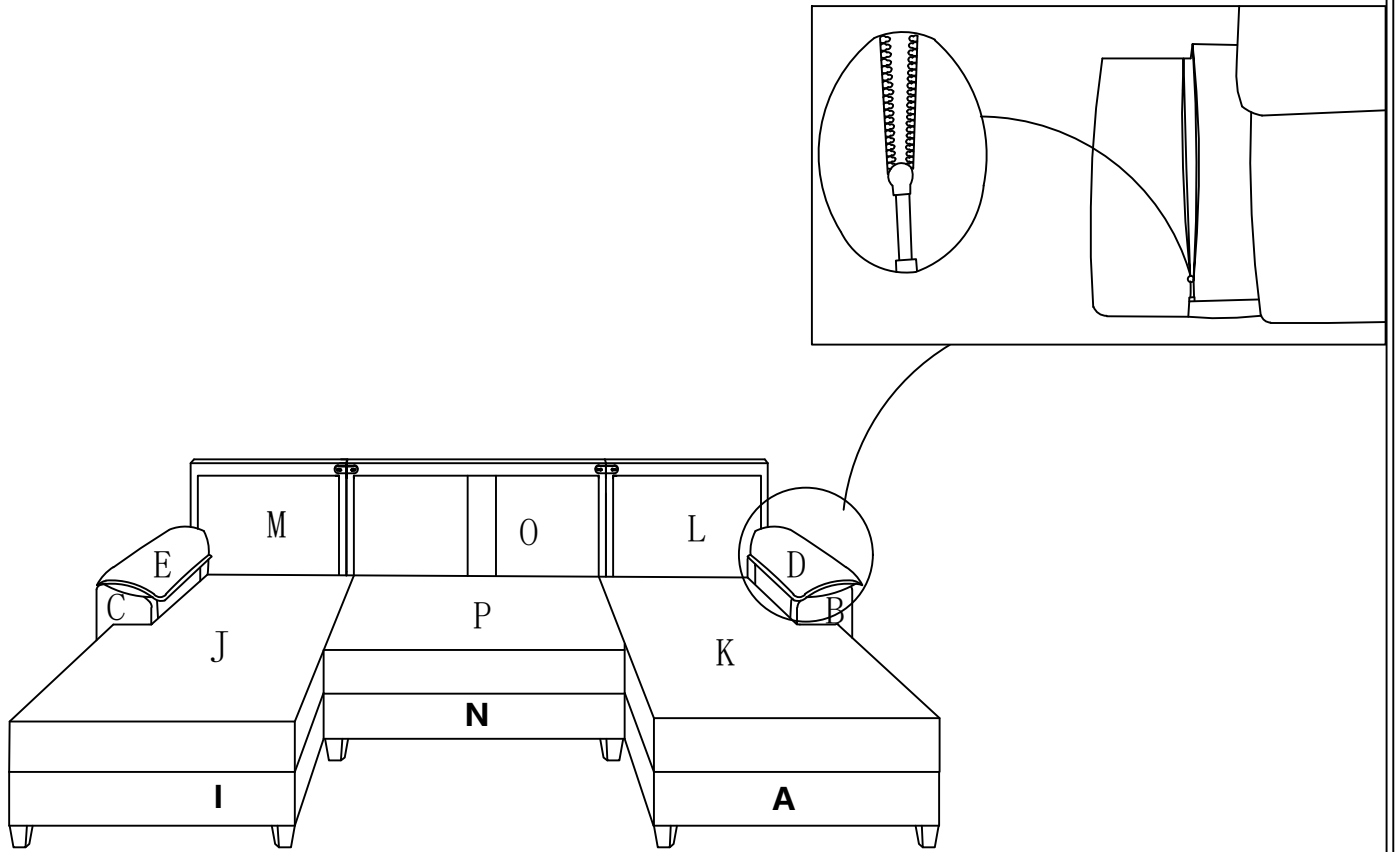


STEP13:

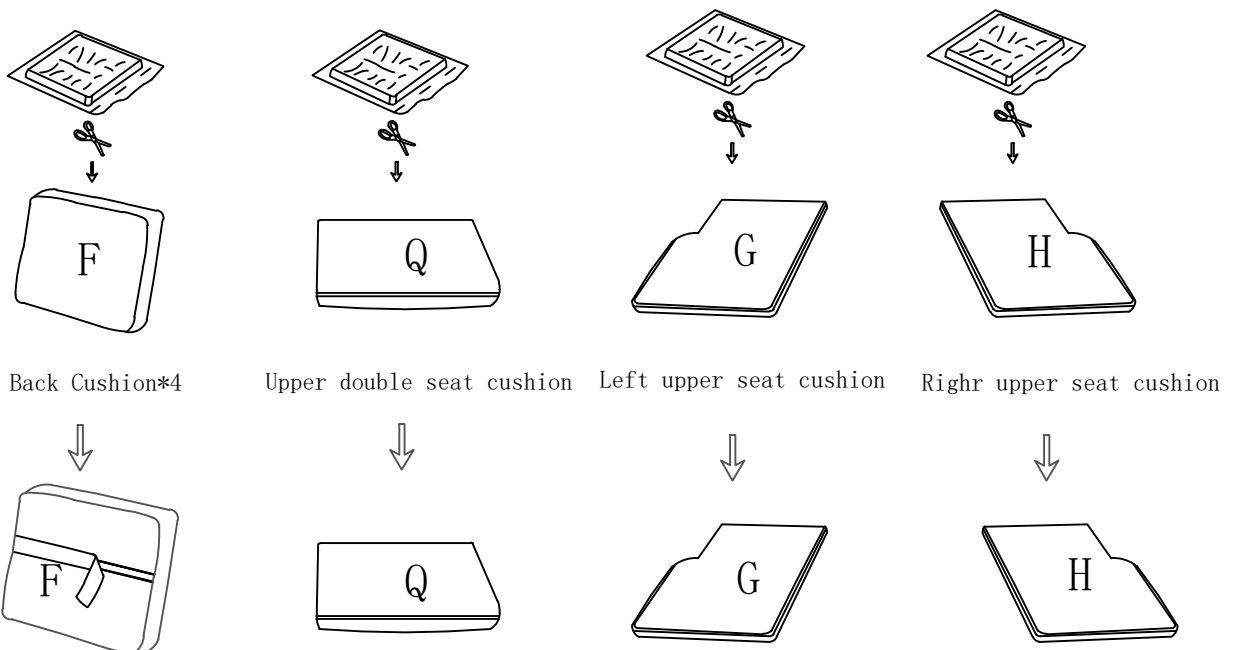
Put the seat cushions on.



STEP14: Zip the armrest cushion to the armrest



STEP15: Cut the compression bags and tear off the velcro on the cushions



STEP16:

Put the upper seat cushion and the back cushions on and the assembly is completed

