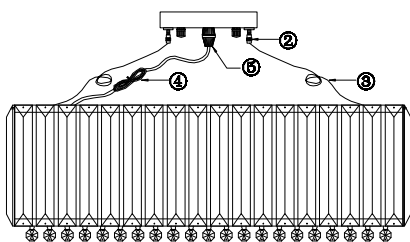


X3PCS



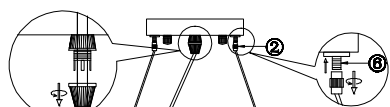
X 1PCS

X3PCS

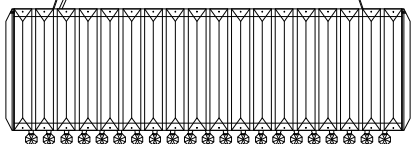
X 3PCS

X 3PCS

①light fixture: 1pcs



Loosen the threaded cord grip to adjust the length of the wire, rotate to close the grip when get suitable height of the light.

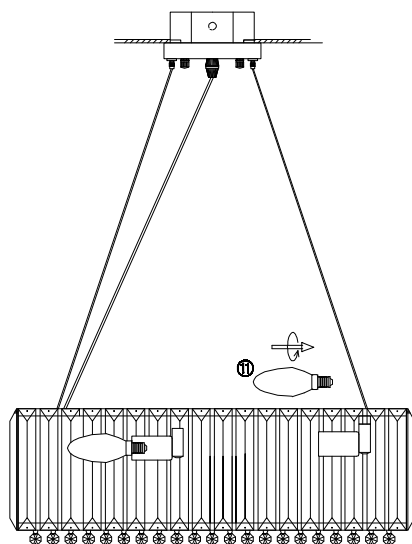
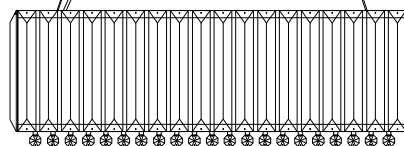
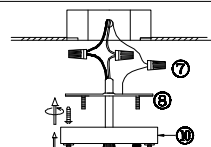


1. Loosen the threaded cord grip (6) to adjust the length of the wire, rotate to close the grip when get suitable height of the light.

2. Remove out the nut (2), press the mini thread (3) to adjust the height of steel rope, close the nut (2) when get suitable height of the rope.

3. Install the bracket (6) to the ceiling junction box with screw.

4. Connect the wires to you home line with cap connector (7).



5. Install the light fixture to the bracket with cap nut (6).

6. Install the bulb.

Please read carefully before installation!!!

Note : Please make sure that the electricity is powered off during installation !

Only a professional electrician should install this kind of product !