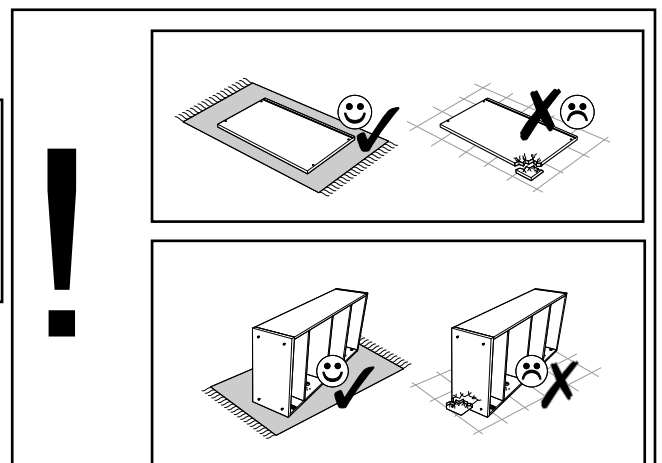
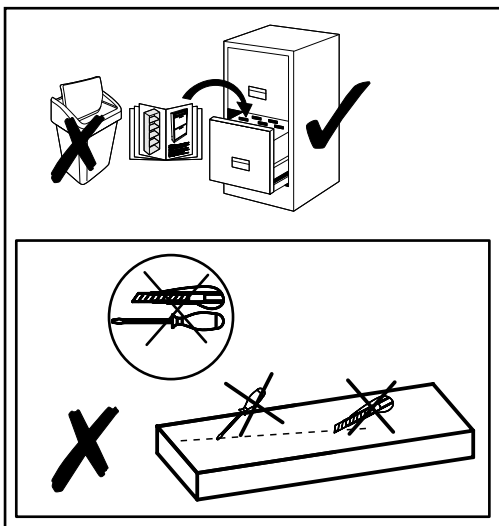
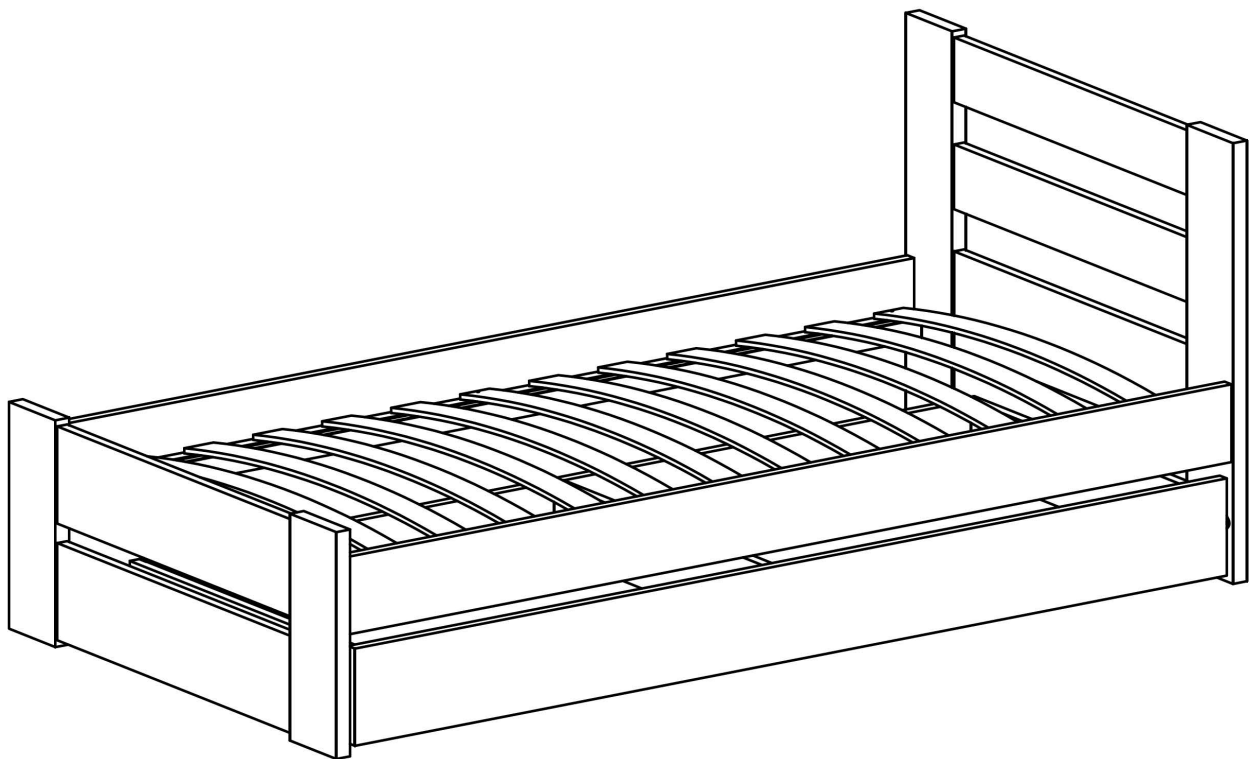
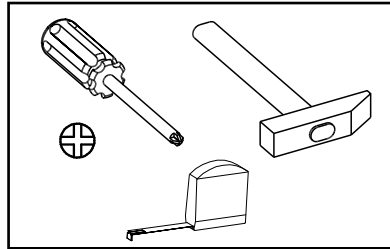
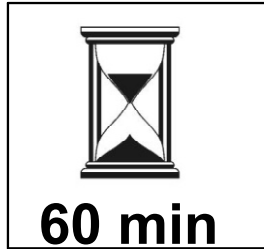
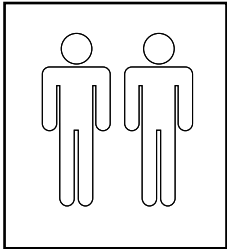
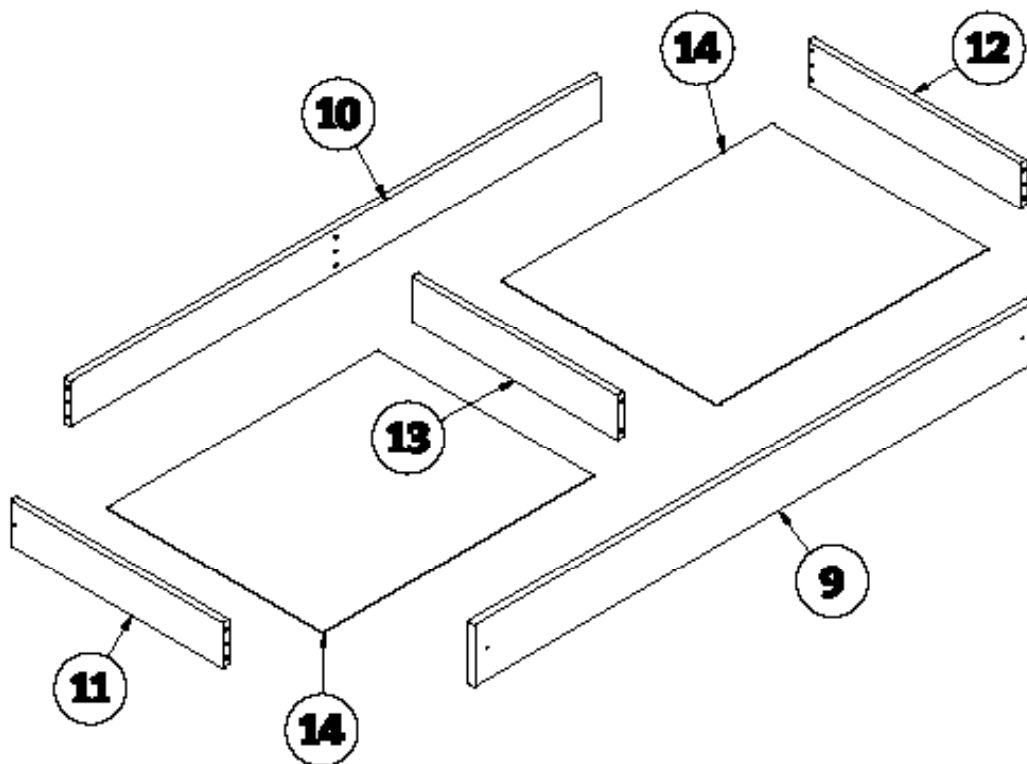
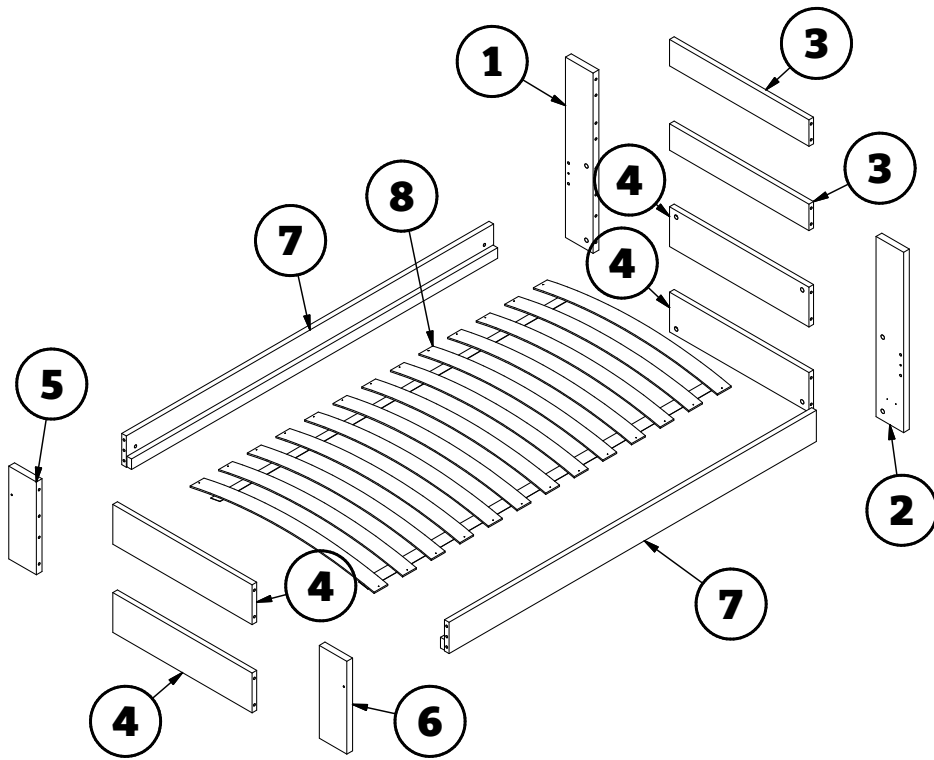


EMIL 180 / 90





① **x1** 680x120x25mm

② **x1** 680x120x25mm

③ **x2** 807x100x18mm

④ **x4** 807x150x18mm

⑤ **x1** 350x120x25mm

⑥ **x1** 350x120x25mm

⑦ **x2** 1800x120x40mm

⑧ **x1** 1800x800mm

⑨ **x1** 1780x150x18mm


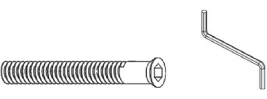
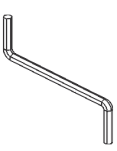

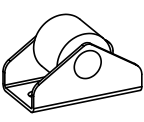

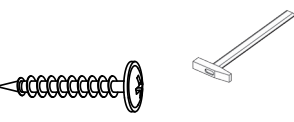
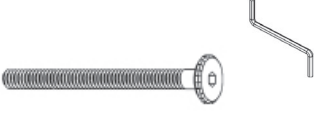
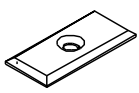
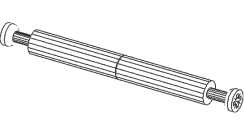
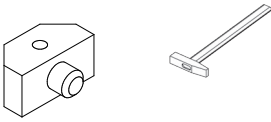
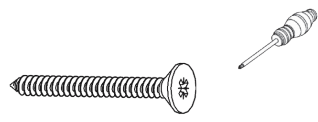
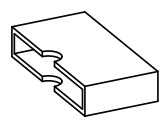

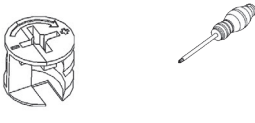
⑩ **x1** 1695x110x18mm

⑪ **x1** 600x110x18mm

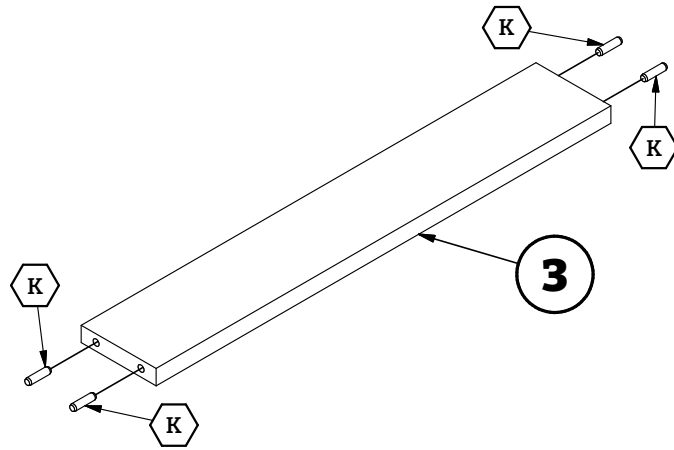
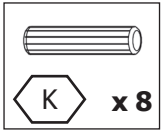
⑫ **x1** 600x110x18mm

⑬ **x1** 582x110x18mm

⑭ **x2** 863x608x3mm

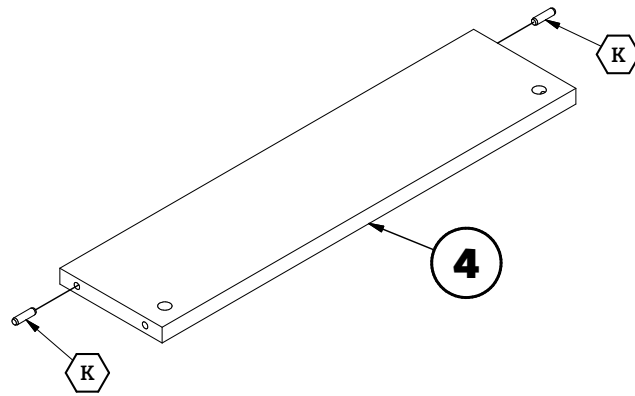
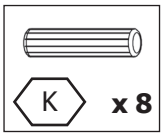
<p>K</p>  <p>x 36 $\Phi 8 \times 35 \text{mm}$</p>	<p>T</p>  <p>x 3 7×50</p>	<p>I</p>  <p>x 1</p>
<p>Q</p>  <p>x 4 $10 \times 13 \text{mm}$</p>	<p>W</p>  <p>x 6</p>	<p>F2</p>  <p>x 8 $3,5 \times 30 \text{mm}$</p>
<p>H</p>  <p>x 25 $2,5 \times 25 \text{mm}$</p>	<p>T1</p>  <p>x 4 $6 \times 50 \text{mm}$</p>	<p>R</p>  <p>x 5</p>
<p>C</p>  <p>x 8 $67 \times 7 \text{mm}$</p>	<p>Q2</p>  <p>x 2</p>	<p>T3</p>  <p>x 2 $6,5 \times 60 \text{mm}$</p>
<p>X</p>  <p>x 30</p>	<p>F1</p>  <p>x 12 $4 \times 16 \text{mm}$</p>	<p>B</p>  <p>x 16 $15 \times 12 \text{mm}$</p>

1



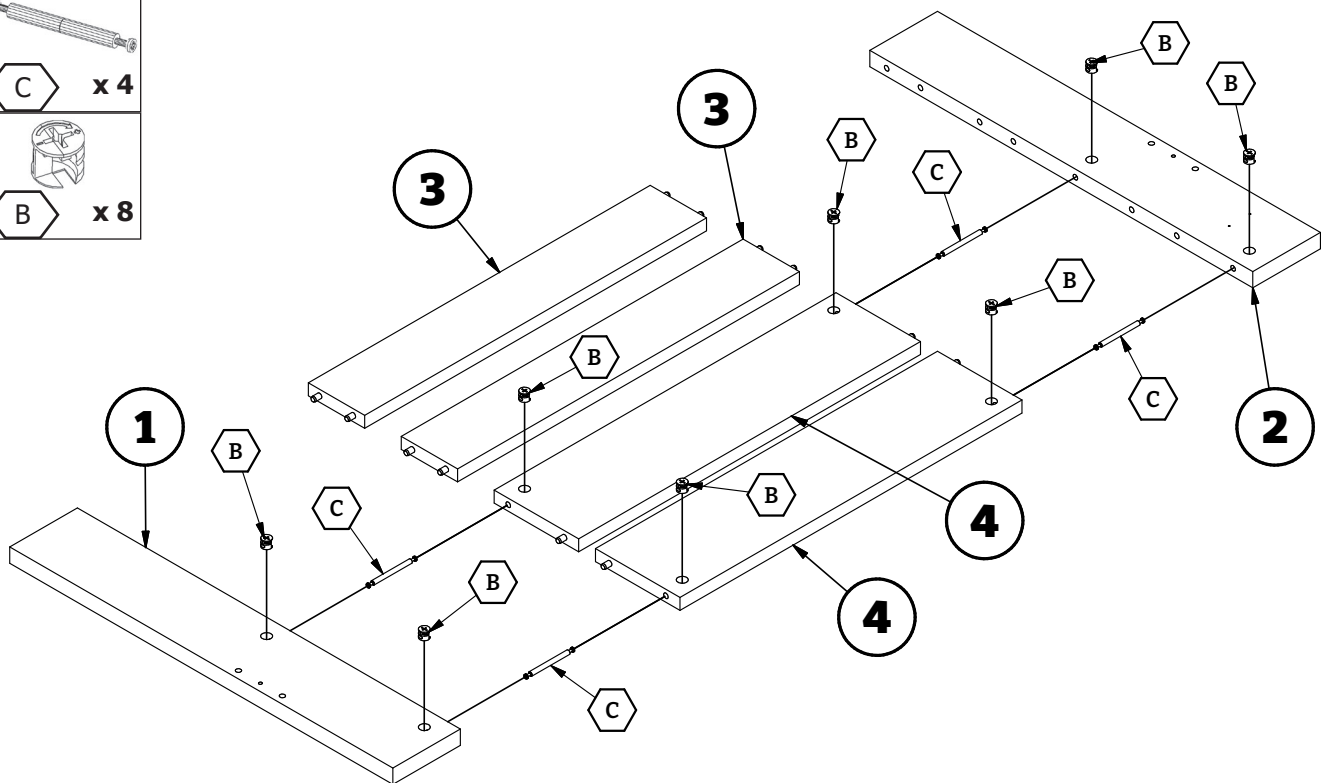
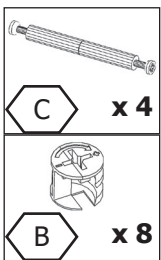
x2

2

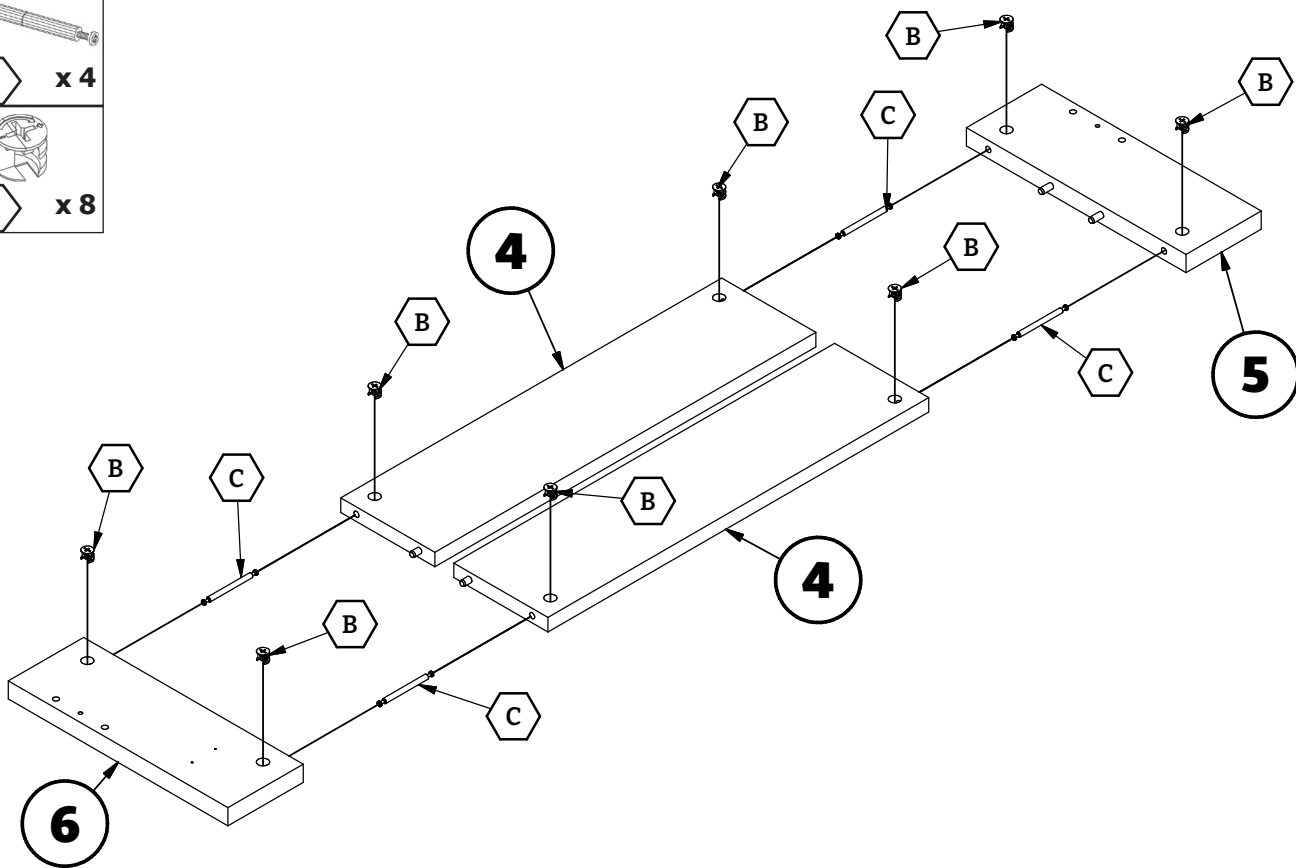
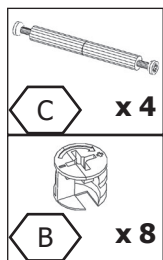


x4

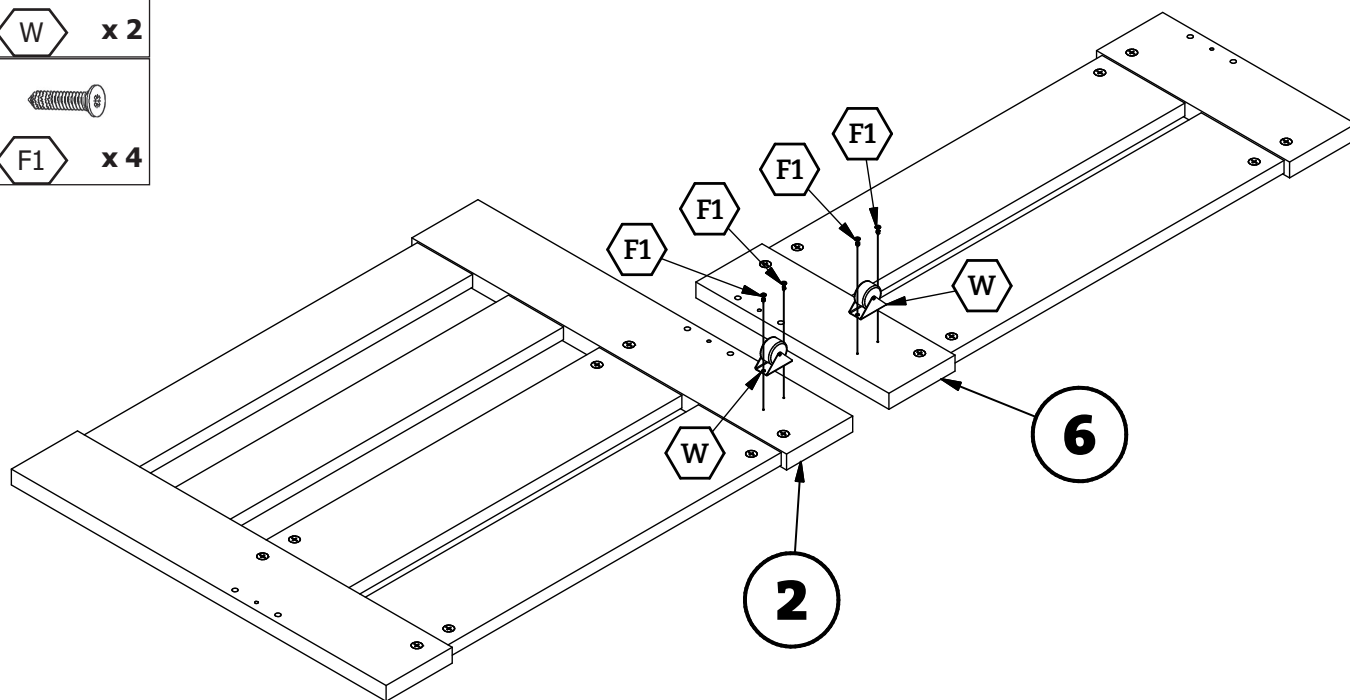
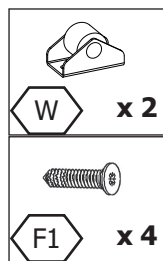
3



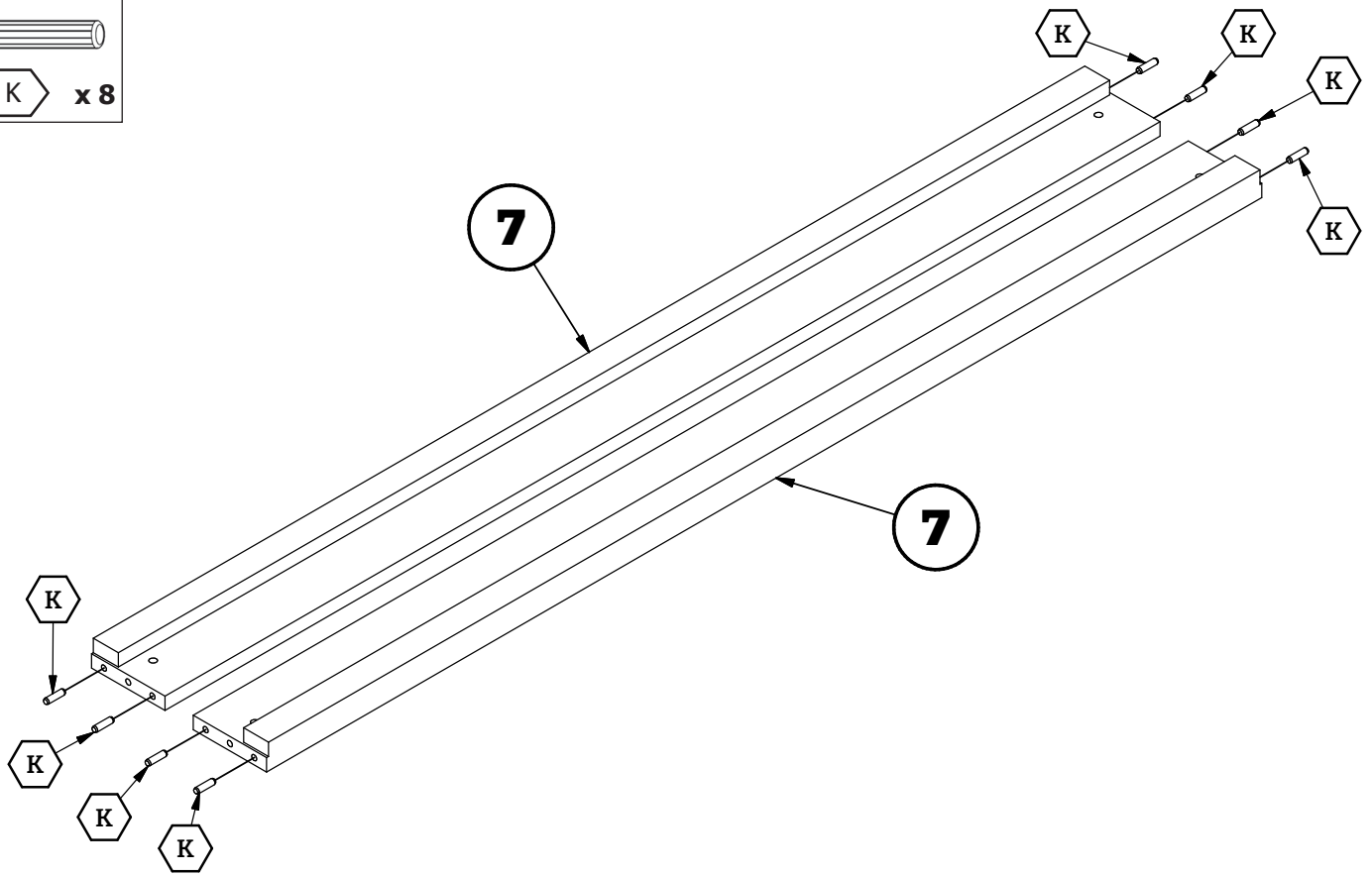
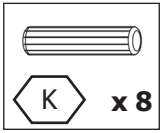
4



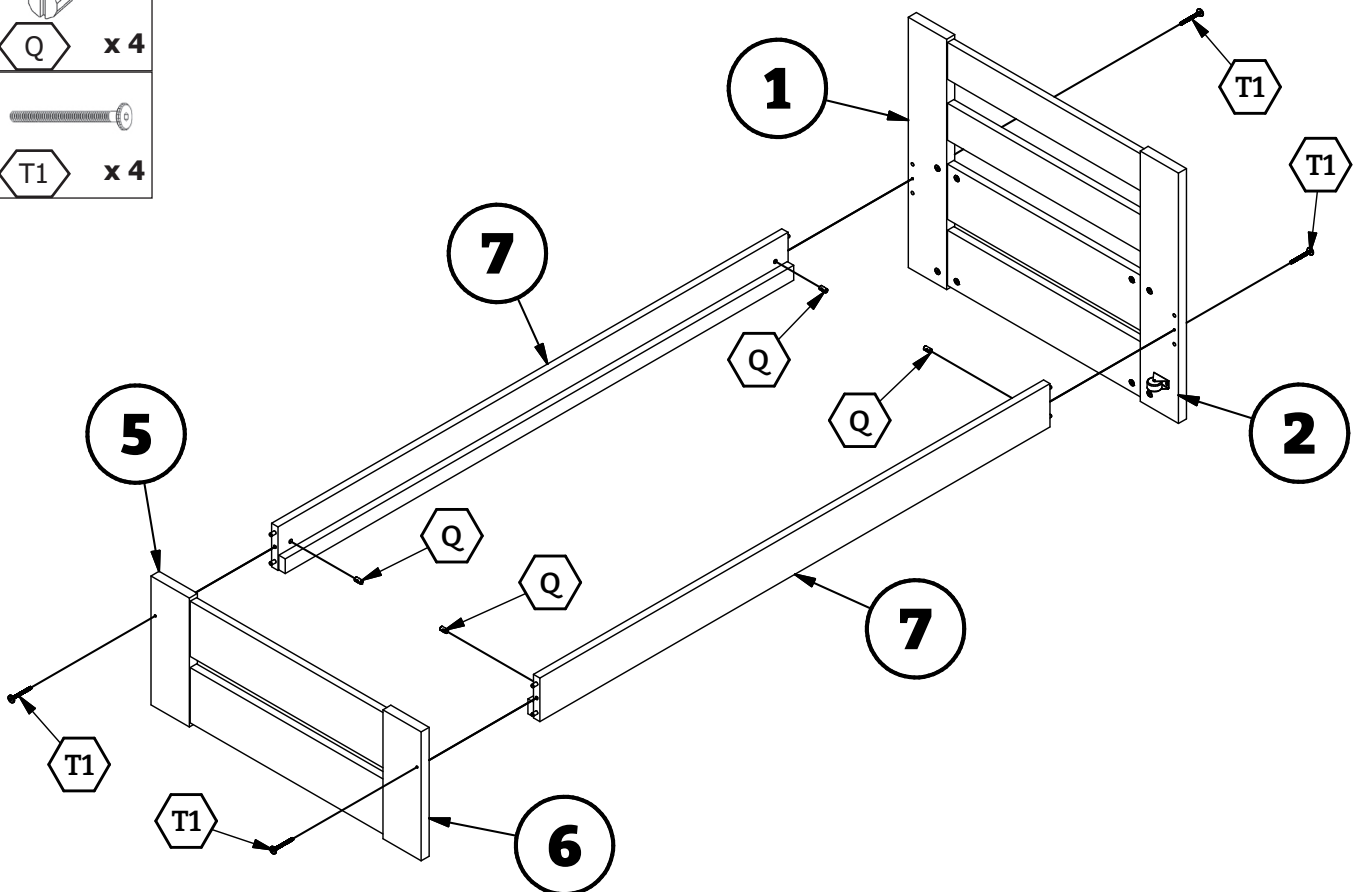
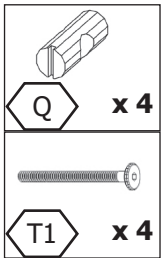
5



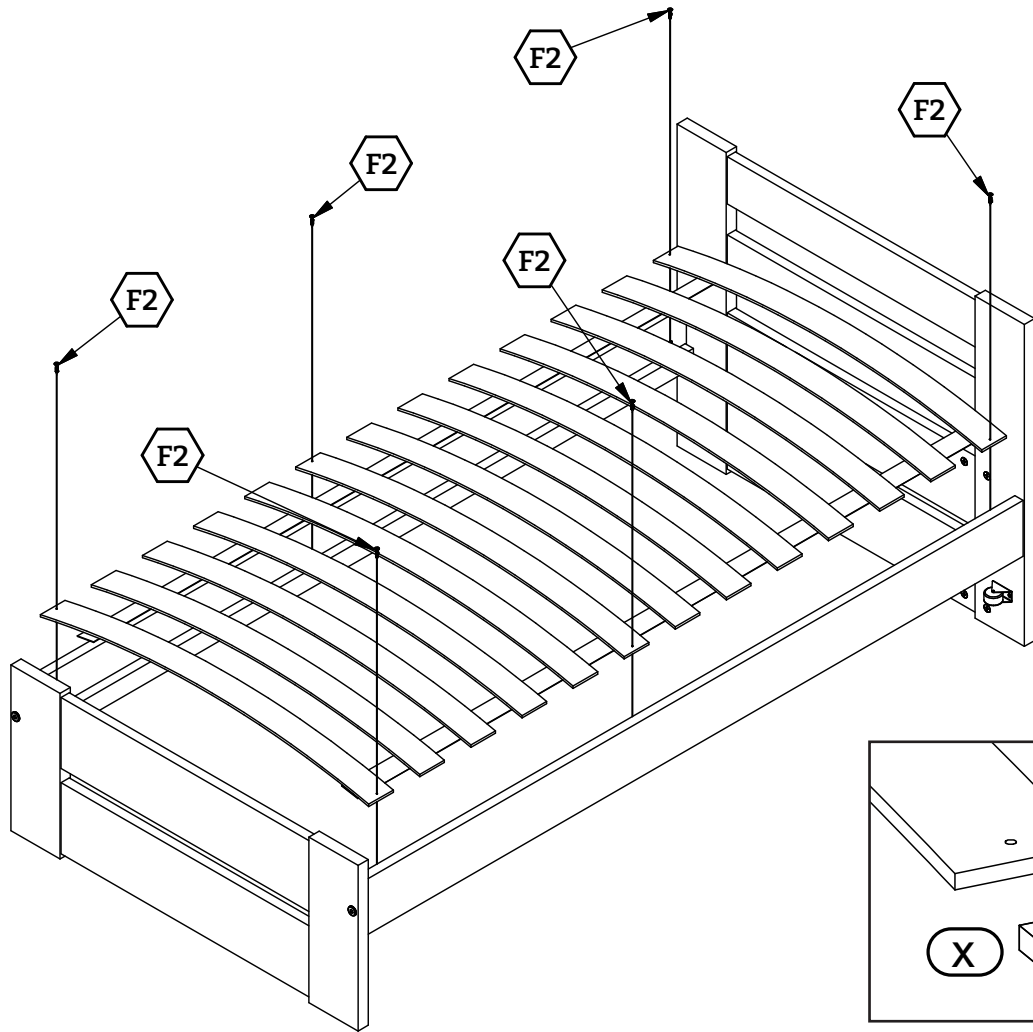
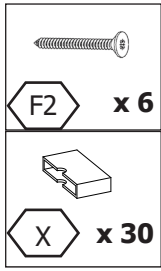
6



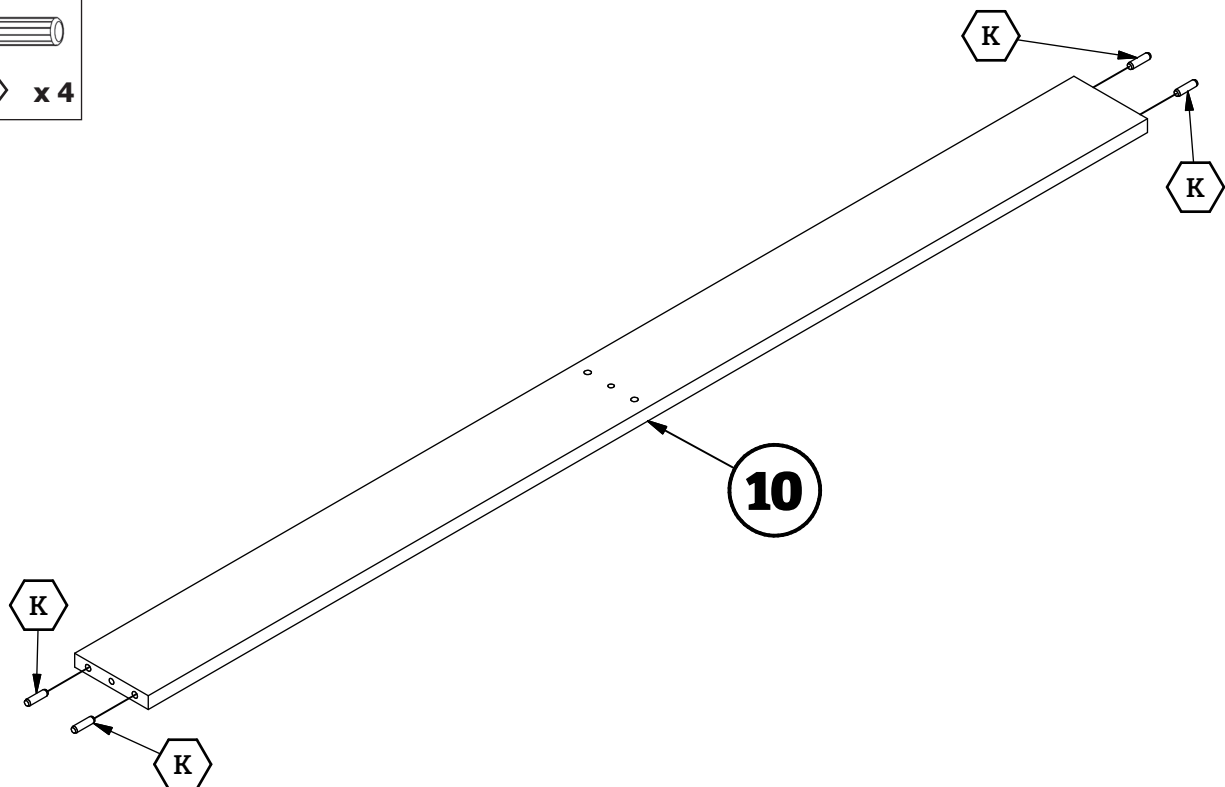
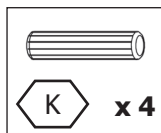
7



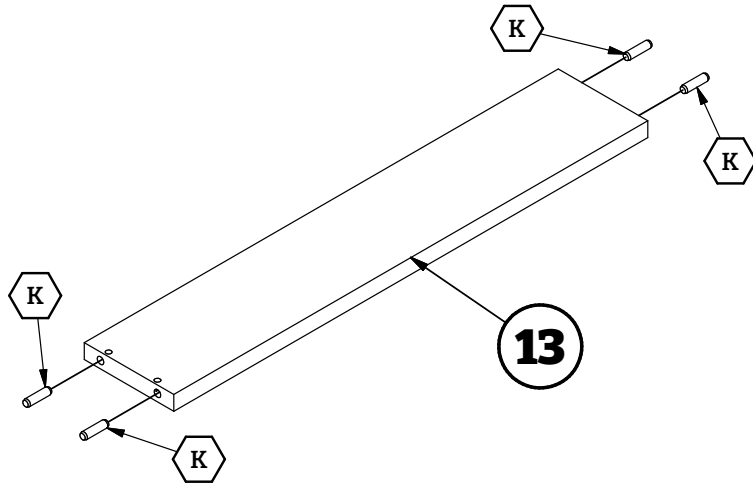
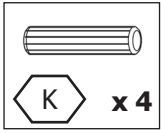
8



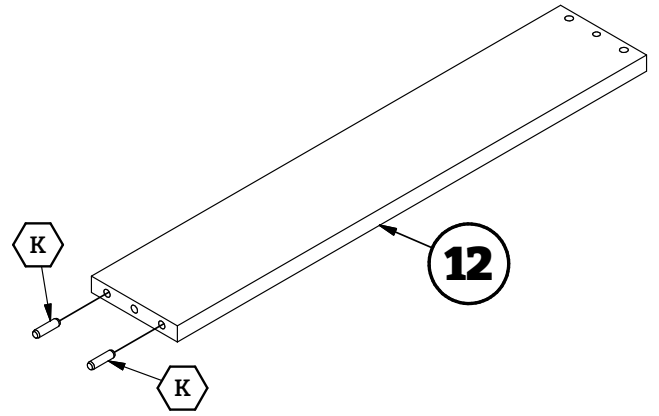
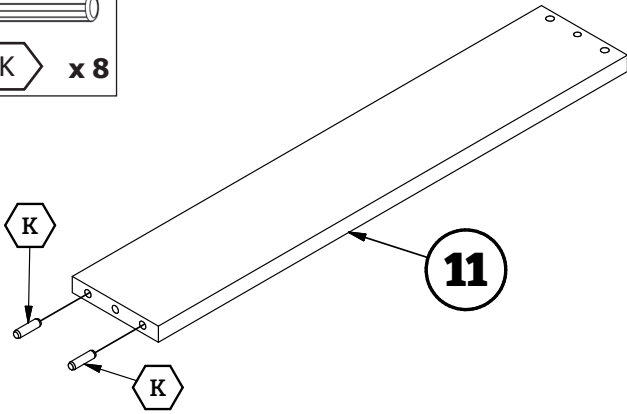
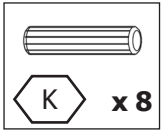
9



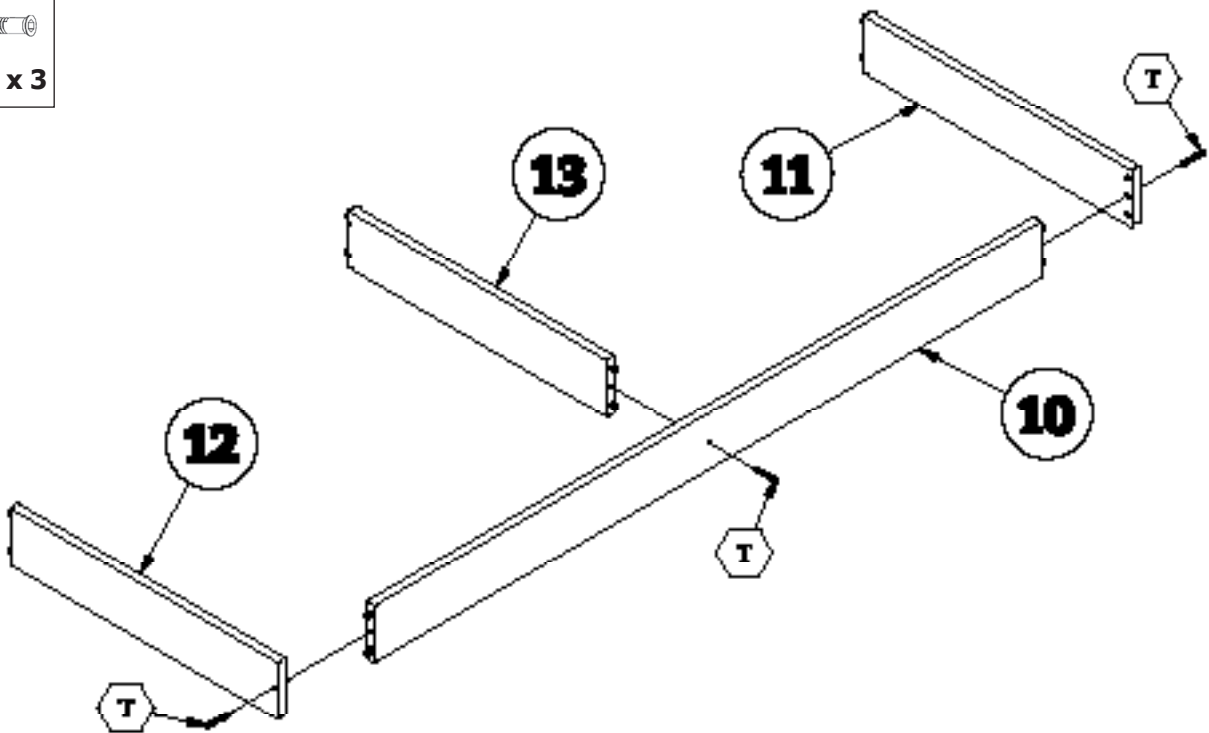
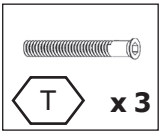
10



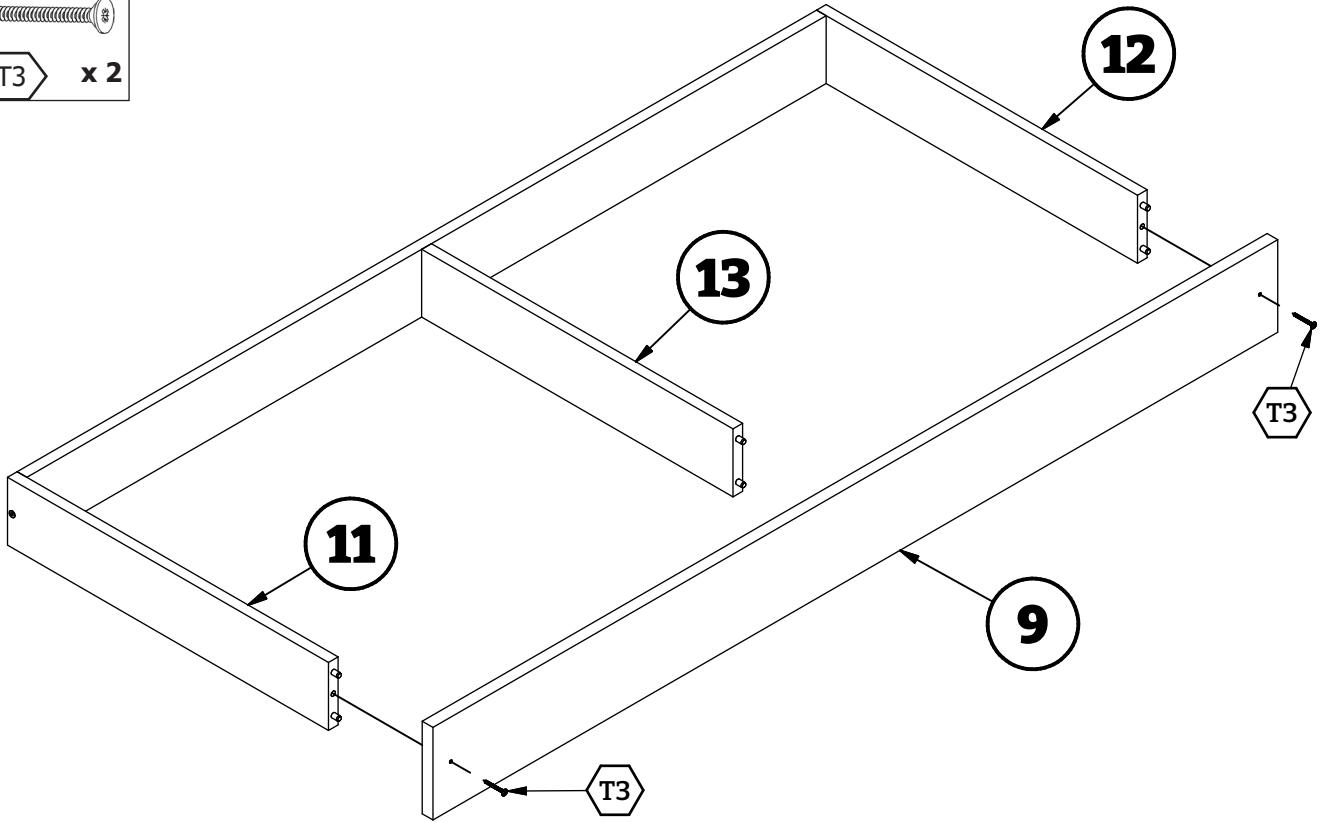
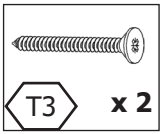
11



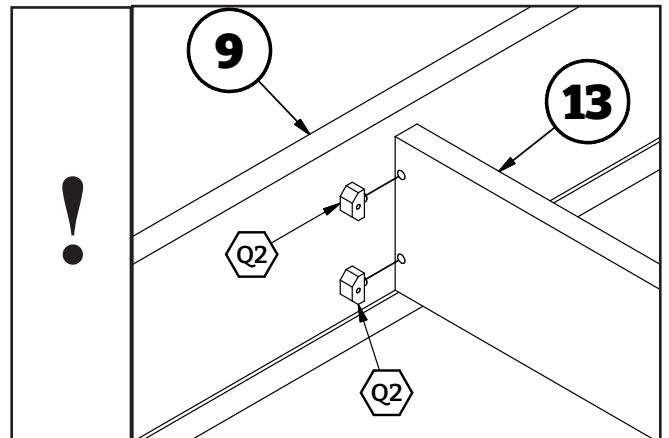
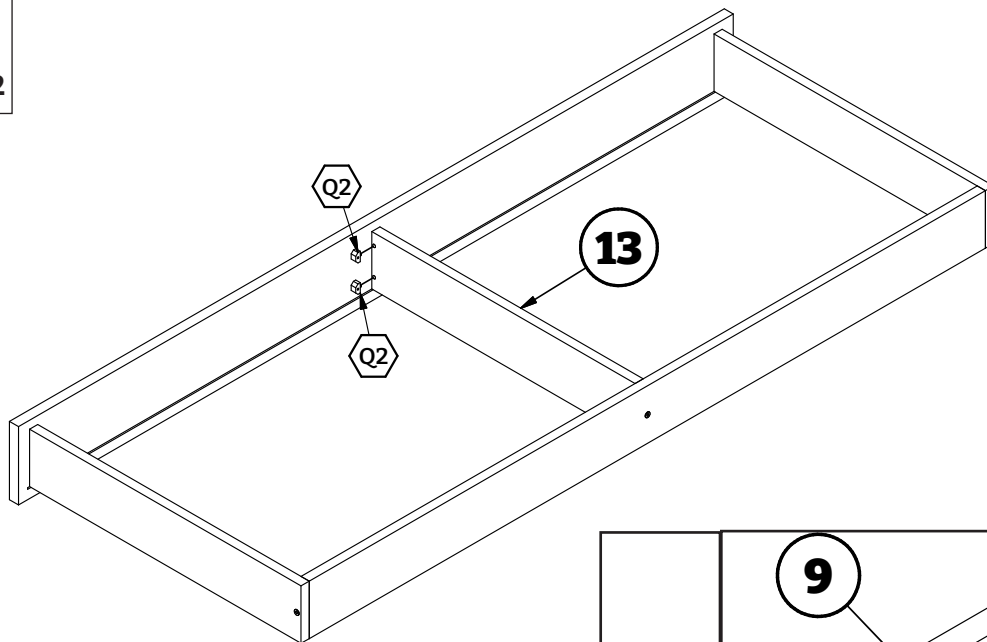
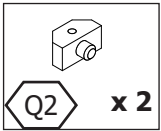
12



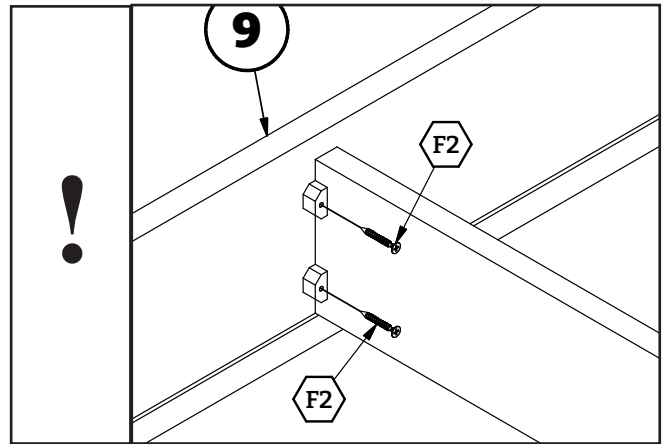
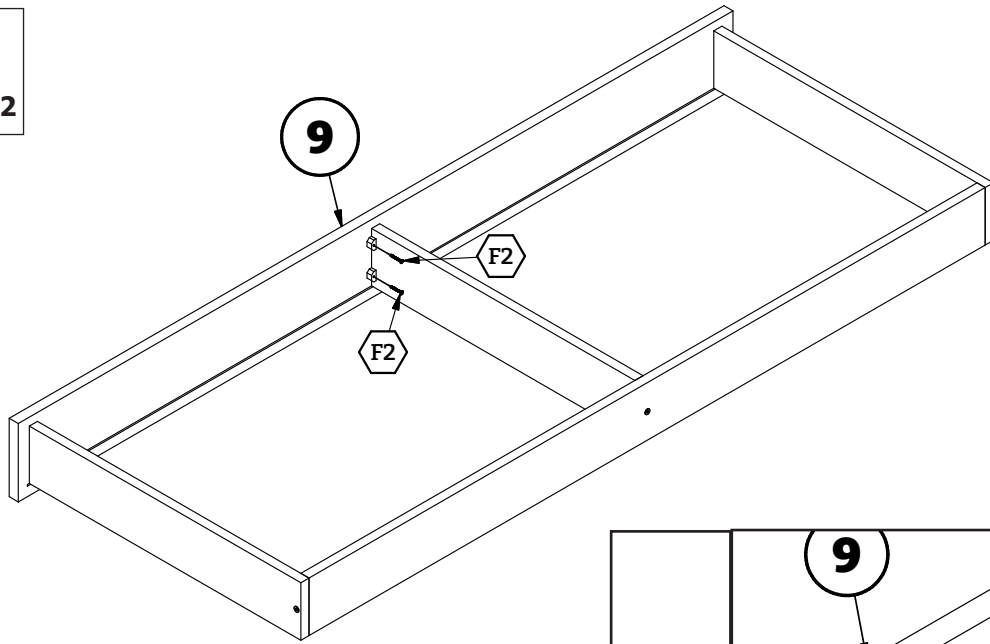
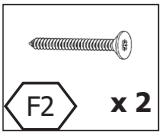
13



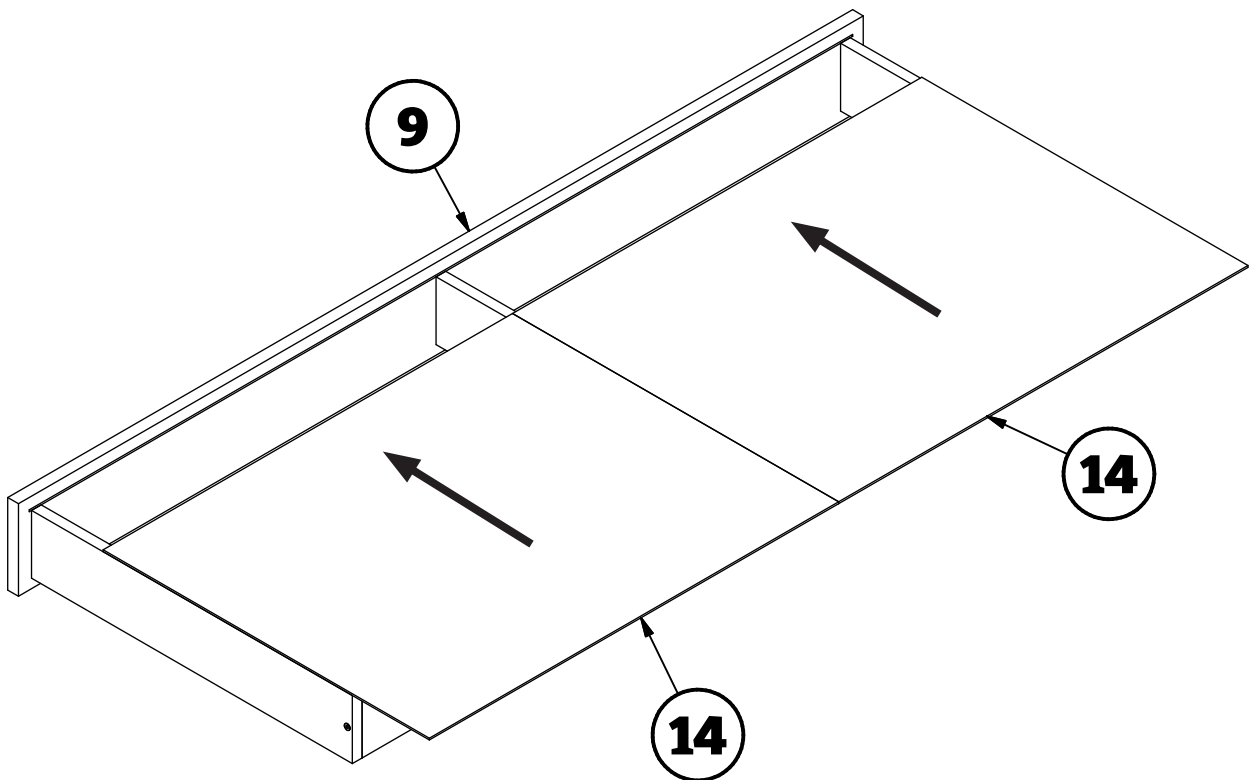
14



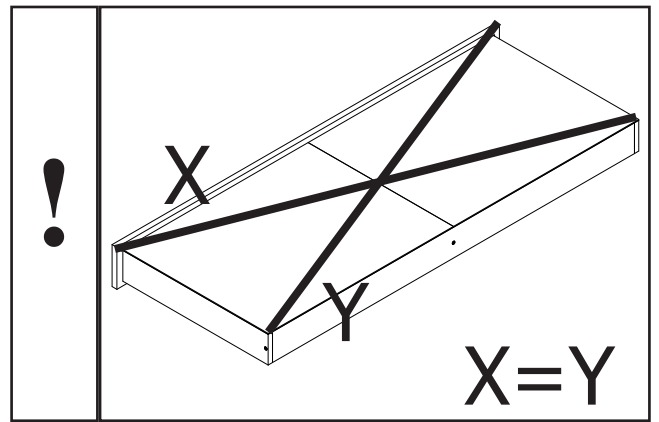
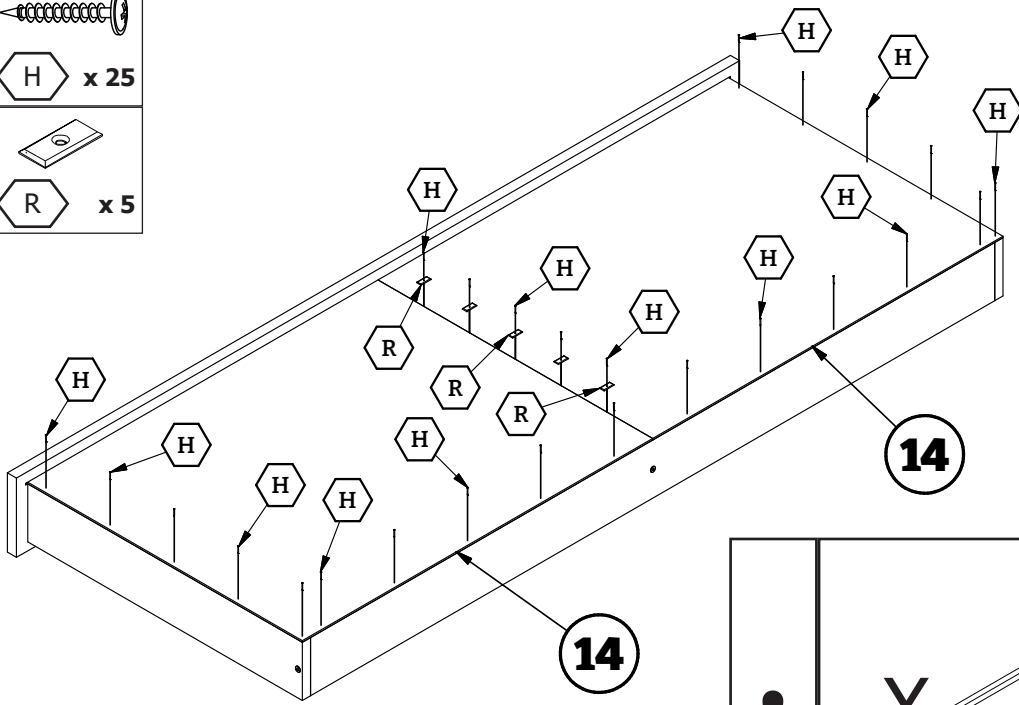
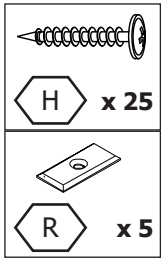
15



16



17



18

