

USER'S MANUAL

Rev 1.0

Table of Contents

Thank you for purchasing the Adjustable Bed Base. Please read this manual carefully before use, especially the safety section. Please keep this manual after reading and refer to it whenever necessary.

Disclaimer and Precautions	01
Product Display	02
Parts List	02
Installation Instructions	03 - 04
Function	05 - 07
Tips	08
Warranty and After-sales Service	09
Product Information	10
Troubleshooting	10

The product technology is continuously improved, and changes may occur without further notice. Please refer to the actual product for details.

Disclaimer and Precautions

Please read this manual carefully before installing and using this product, operate in accordance with the relevant content of this manual, and keep the manual properly.

1. Connect the adjustable bed base to the wall power correctly

Connect your adjustable bed base to the wall power correctly. It is recommended to use a current protector (not provided with your adjustable bed base). The adjustable bed base should be connected to the wall power. Incorrect power connection may cause electric shock or fire, etc.,

Damage to motors and appliances caused by incorrect power connection will not be covered by the warranty.

2. Avoid electric shock

In the process of using this product, please do not open or disassemble any parts of your adjustable bed base without authorization. Make sure the AC power cord is unplugged before repairing or cleaning your adjustable bed base to avoid electric shock.

3. Make sure that the AC power cord is always kept away from any flammable and high-temperature objects

4. Reduce risk of injury

During the operation, please ensure that your body is placed in a safe range to prevent injuries.

Please dispose of the packaging in time.

To avoid injury, do not allow any person or pet under the adjustable bed base at any time.

Place the remote control out of reach of children.

When children use the adjustable bed base, they must be accompanied by adult.

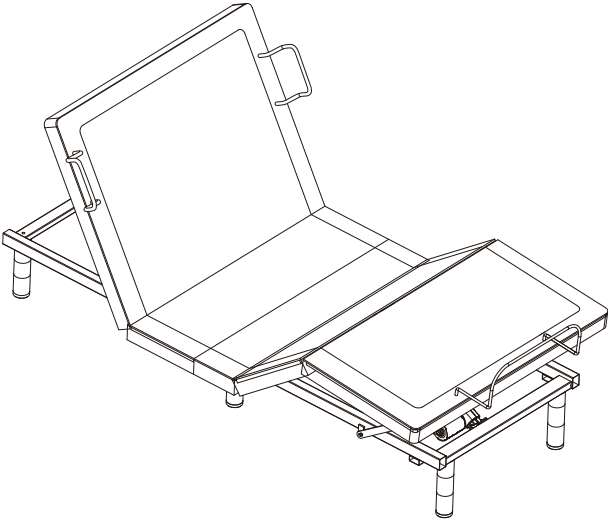
5. Use accessories correctly

Please refer to this manual for the correct use of accessories, use the accessories provided or approved, otherwise the damage caused by this will not be covered by the warranty.


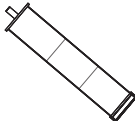

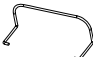
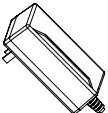
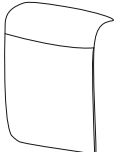
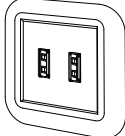
6. Warranty warnings

Tampering with or opening the control box, motors, or remote control(with the exception of replacing batteries) will void the warranty. For detailed warranty regulations, please refer to the warranty card.

Product Display

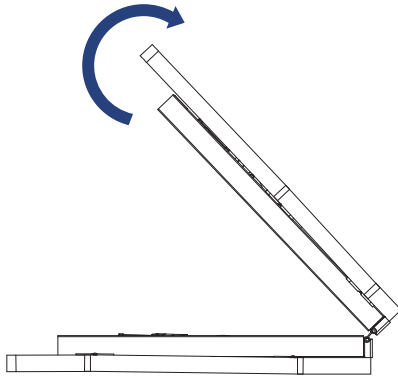


Parts List

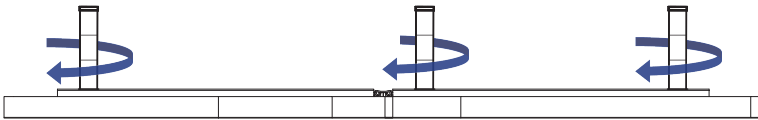
Remote Control	Legs	Retainer Bar	Retainer Bar	AC Power Cord
 <p>×1pcs</p>	 <p>×6pcs</p>	 <p>×1pcs</p>	 <p>×2pcs</p>	 <p>×1pcs</p>
Multi-Function Cloth Bag		USB Port (Fixed to the back of the bed frame)		
 <p>×1pcs</p>		 <p>×1pcs</p>		

Installation Instructions

* The installation process requires two people to cooperate.



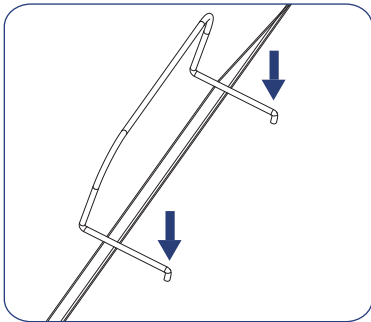
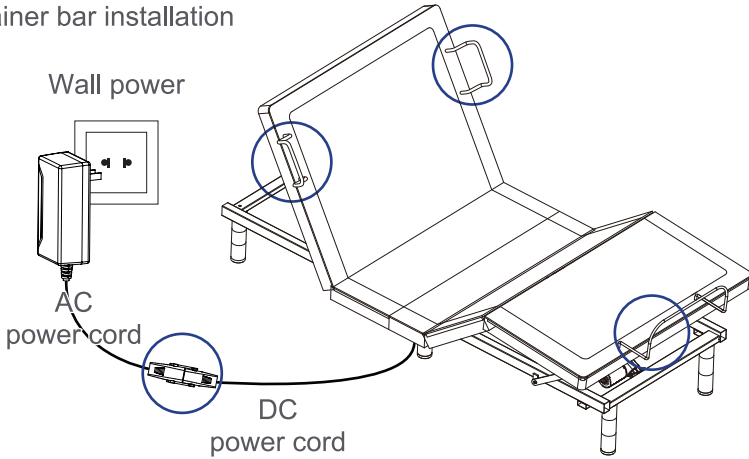
Open the package, the upper side is the foot end, unfold in the direction shown in the picture.



Cut the cable ties, take out retainer bar and accessory box from the packaging, count all the accessories.

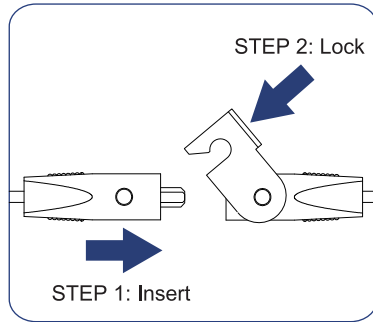
Take out 6 legs in the accessory box, and tighten as shown in the picture.

Retainer bar installation



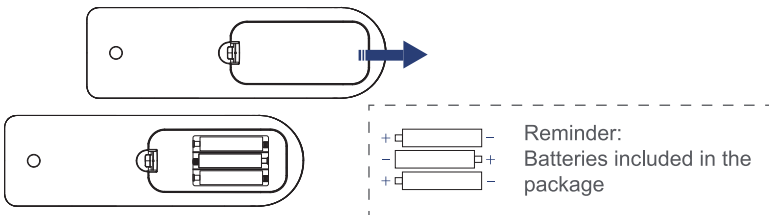
Retainer bar installation

Simply insert the retainer bar directly into the mounting hole.



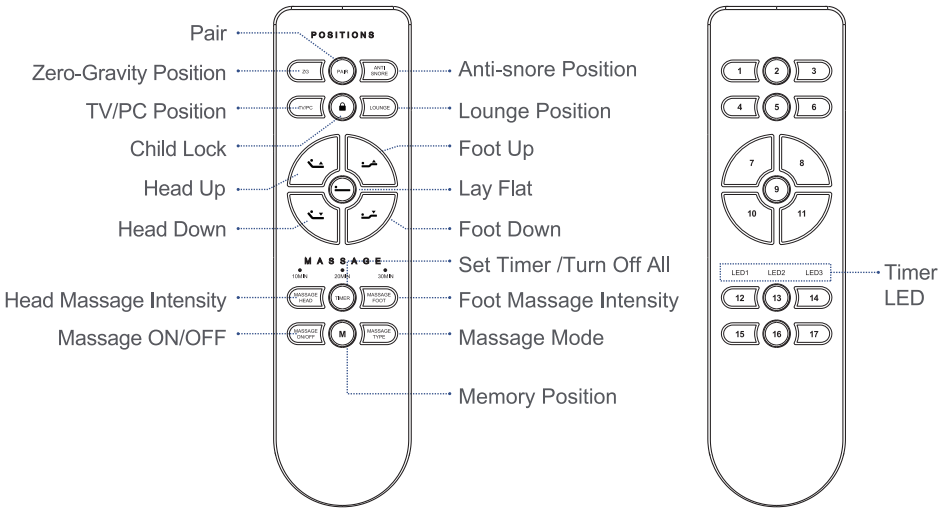
Uncoil the DC & AC power cord, connect the DC power cord to the AC power cord, then connect the AC power cord to wall power.

*** Note: Do not pull the power cord forcibly.**



Open the back cover of the remote control, install the batteries, pay attention to the positive and negative poles.



Function:



<p>Pairing method 1</p>	<p>Step 1. Unplug the power cord, power on after 5s, control box indicator light turns blue, under bed light flashes (If the under bed light is installed), control box enters into pairing mode.</p> <p>Step 2. Press and hold the remote PAIR button, remote backlight flashes, the remote enters into pairing mode, until remote backlight stops flashing and stays on, and control box indicator light turns green (or under bed light stops flashing and goes out), pairing is done.</p> <p>Note: When you power on again, the control box will be in pairing mode in the first 10 seconds, if you have already paired successfully before, then you don't need to pair again. After 10 seconds, control box indicator light turns green (or under bed light stops flashing and goes out), you can use remote to operate the bed directly.</p>
<p>Pairing method 2</p>	<p>Step 1. Double click the control box pairing button, control box indicator light turns blue, under bed light flashes (If the under bed light is installed), control box enters into pairing mode.</p> <p>Step 2. Press and hold the remote PAIR button, remote backlight flashes, the remote enters into pairing mode, until remote backlight stops flashing and stays on, and control box indicator light turns green (or under bed light stops flashing and goes out), pairing is done.</p>
<p>If the pairing time out, please repeat the above actions until the pairing is successful</p>	

Function:

Buttons and LEDs	Key value	Specification
B1:	ZG	Click B1, the bed moves to zero gravity position.
B2:	Pair	Press and hold B2, backlight flashes, the remote enters pairing mode, after pairing successfully, backlight stops flashing.
B3:	Anti-snore	Click B3, the bed moves to anti-snore position.
B4:	TV/PC	Click B4, the bed moves to TV/PC position.
B5:	Child lock	Press and hold B5, red backlight of this button flashes, after press for 5s, backlight stops flashing and stays on, remote enters locking mode. When in locking mode, press and hold B5, its red backlight starts flashing, after 5s, backlight stops flashing and goes out, remote exits locking mode.
B6:	Lounge	Click B6, the bed moves to lounge position.
B7:	Head up	Press and hold B7, backrest goes up, stop when released.
B8:	Foot up	Press and hold B8, footrest goes up, stop when released.
B9:	Flat	Click B9, the bed goes flat.
B10:	Head down	Press and hold B10, backrest goes down, stop when released.
B11:	Foot down	Press and hold B11, footrest goes down, stop when released.
B12:	Head massage	Click B12 to turn on/off head massage, and to switch massage intensity of massage motors, 0 (off) → 1 → 2 → 3 → 0 (off).
B13:	Timer	Click B13 to switch massage time [10min → 20min → 30min → 0 (All massage motors stop)].
B14:	Foot Massage	Click B14 to turn on/off foot massage, and to switch massage intensity of massage motors, 0 (off) → 1 → 2 → 3 → 0 (off).
B15:	Massage on/off	Click B15 to turn on/off head & foot massage.
B16:	M	Click B16, the bed moves to memory position.
B17:	Massage typc	Click B17 to switch massage mode, 4 models.
10 MIN:	LED 1	Massage time: 10 minutes
20 MIN:	LED 2	Massage time: 20 minutes
30 MIN:	LED 3	Massage time: 30 minutes

Factory reset:	ZG + FLAT	Press and hold ZG + FLAT for 5s, until the backlight flashes, memory positions of control box will be reset to default settings.
Set new memory position (except flat)	Press and hold the corresponding memory button for 5s	Move bed to your favourite position, press and hold the corresponding memory button for 5s, until the backlight flashes, the remote sets the current position as a new memory position.
Other function 1:	Other buttons except child lock button and pair button	During the automatic movement of bed (Click memory position buttons or flat button, bed moves to memory position or flat position), press any button except child lock button and pair button, the bed movement will stop.
	Control box pairing button	1.Paring 2.Press and hold this button, the bed wil be flat. 3.When control box is in pairing mode, click this button, control box exits pairing mode.
	Sync cable (optional)	Used when synchronization is needed, wired synchronization.

Notes:

1. Please flat the bed after the first installation or replacing a new motor, so that the motors positions can be calibrated.

2. If you want to sync two beds, please connect the sync cable (eg: R5.408.00.002) to the SYNC ports of the two control boxes (the two control boxes must have the same article number) after the pairing of one bed is successful, then the two beds are connected and synchronized, and you can use the paired remote to control the two beds.

If you find the actual angles of the same memory position of the two beds are different, please flat the bed and do factory reset or set a new memory positon.

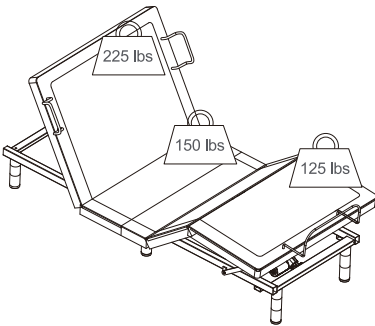
3.Any mistakes, please try it again according to the corresponding steps.

Tips

Do not place objects exceeding 1000 pounds on the adjustable bed base when it is lying flat and stationary. When the bed is being raised, the weight limit is 500 pounds. Avoid pushing the head or pulling the foot of the bed with excessive force once the adjustable bed base is raised.

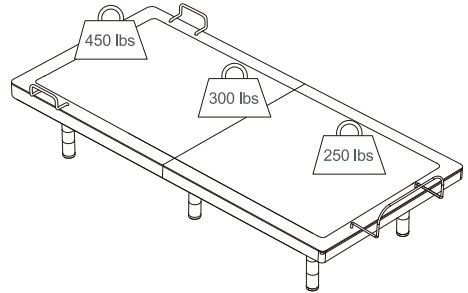


500 lbs (lifting)



225 lbs **150 lbs** **125 lbs**
Head position - Middle position - Foot position

1000 lbs (lying flat)



450 lbs **300 lbs** **250 lbs**
Head position - Middle position - Foot position

Warranty and After-sales Service

We only provides warranty coverage for cases where the purchaser's adjustable bed base exhibits defects resulting from faulty workmanship or materials (excluding accessories). In such instances, the purchaser can reach out to the store from which the adjustable bed base was acquired, and must furnish the original purchase receipt along with the purchase date. Furthermore, this request for warranty service must fall within the specified warranty period.

Limited Warranty

Within 2 years from the date of installation, we will provide free replacement of any damaged parts, with us covering a portion of the material and shipping costs.

Permanent repair

From the 3rd to the 6th year, we offer repair or replacement services for any damage to the power base. Customers are responsible for covering the costs of materials, accessories, and shipping. Please note that the warranty does not cover any damage caused by improper storage by the purchaser or a third party. To avail of our basic power supply warranty, the purchaser must present this warranty card along with the proof of purchase.

Maximum load-bearing

Our adjustable bed base has undergone rigorous testing within the recommended load-bearing range, as specified in the warranty card. However, any damage resulting from exceeding the recommended weight limit will void the warranty.

*** The maximum load-bearing capacity is 1000 lbs (including the weight of the iron frame).**

Product Information

Adjustable angle range of the back	$\leq 60^\circ \pm 3^\circ$
Adjustable angle range of the foot	$\leq 30^\circ \pm 3^\circ$
Maximum load (including mattress weight)	1000 lbs (lying flat) 500 lbs (lifting)
Appearance performance	Comply with national furniture and other related industry standards.
Mechanical performance	Comply with national furniture and other related industry standards.

Troubleshooting

Symptoms	Cause Analysis	Solutions
Legs cannot be tightened.	The screw slips, the screw does not match the screw hole.	Reaming with corresponding specifications of taps.
The iron frame is unstable and shakes.	The ground is not level and the connecting parts are loose.	Adjust the product position (or level up).
Stains on the iron frame.	Caused by warehousing or transportation.	Just wipe it with a clean towel.
Unpleasant smell.	New product is not breathable after packaging.	Ventilate and change air after unpacking.
Abnormal noise.	Loose screws, or friction between mattress and headboard.	Check and tighten the screws in each part, keep a certain gap between the mattress and the headboard.
The cloth surface is wrinkled and not neat.	Keep heavy objects on it for a long time.	Tap the surface of the cloth with your hand, flatten both sides.
Motor abnormal noise.	Interface connection error, motor installation error, motor damaged during transportation.	Check the wiring and reconnect the control box, and check the installation position of the motor according to the installation diagram.
The vibration motor overheats or stops.	Overheat protection, the motor automatically shuts down.	Wait 30 minutes, and then restart the operation. If it doesn't work, please contact customer service.