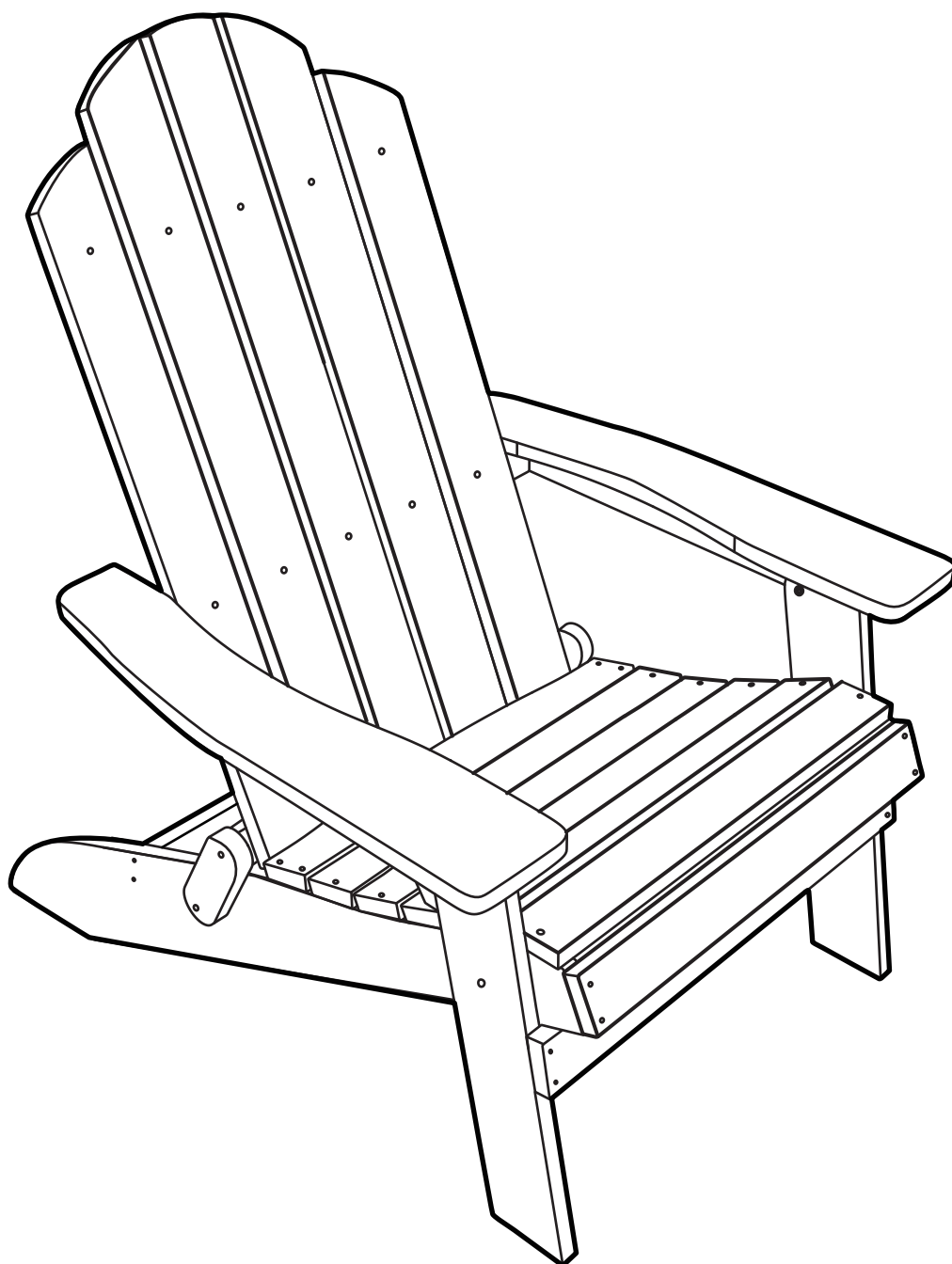


# FOLDING CHAIR

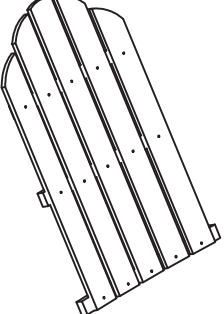
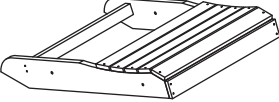
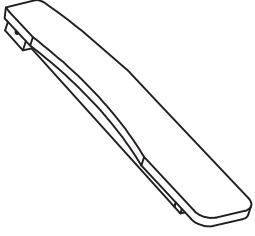
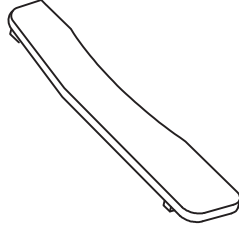
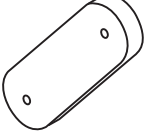
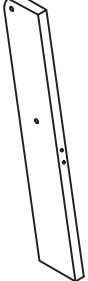
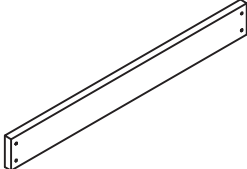
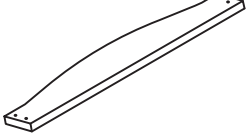

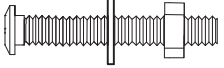
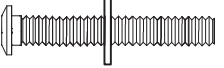
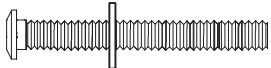
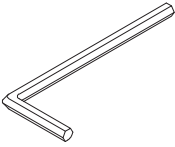
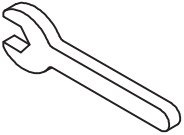
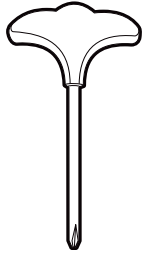


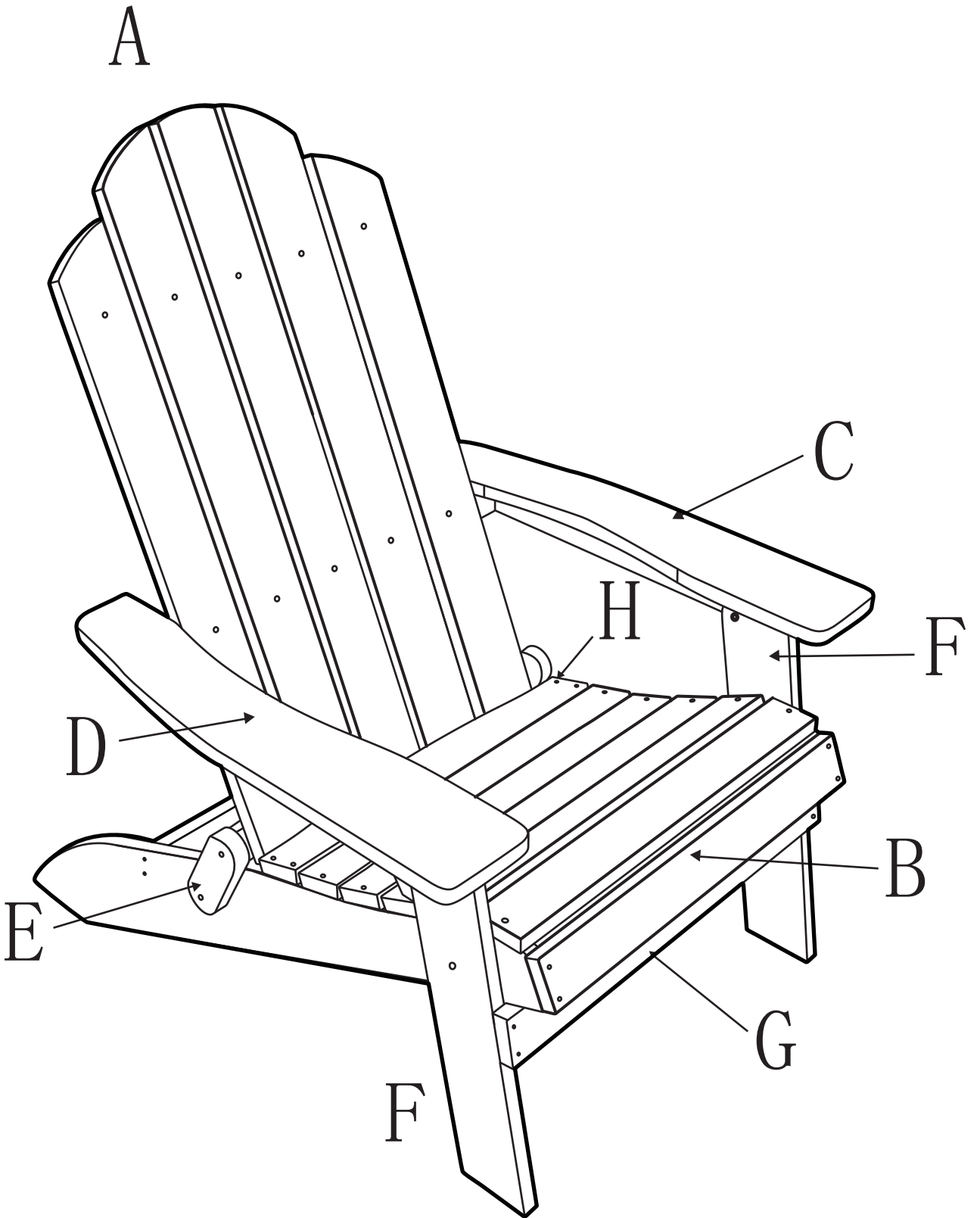
# Before Assembly

## Important Note:

1. Make sure all parts and hardware are including and free of obvious defect before disposing of any packaging.
2. Do not tighten all screws and bolts until completely assembled.
3. Assembly will require two people.

## Packaging List

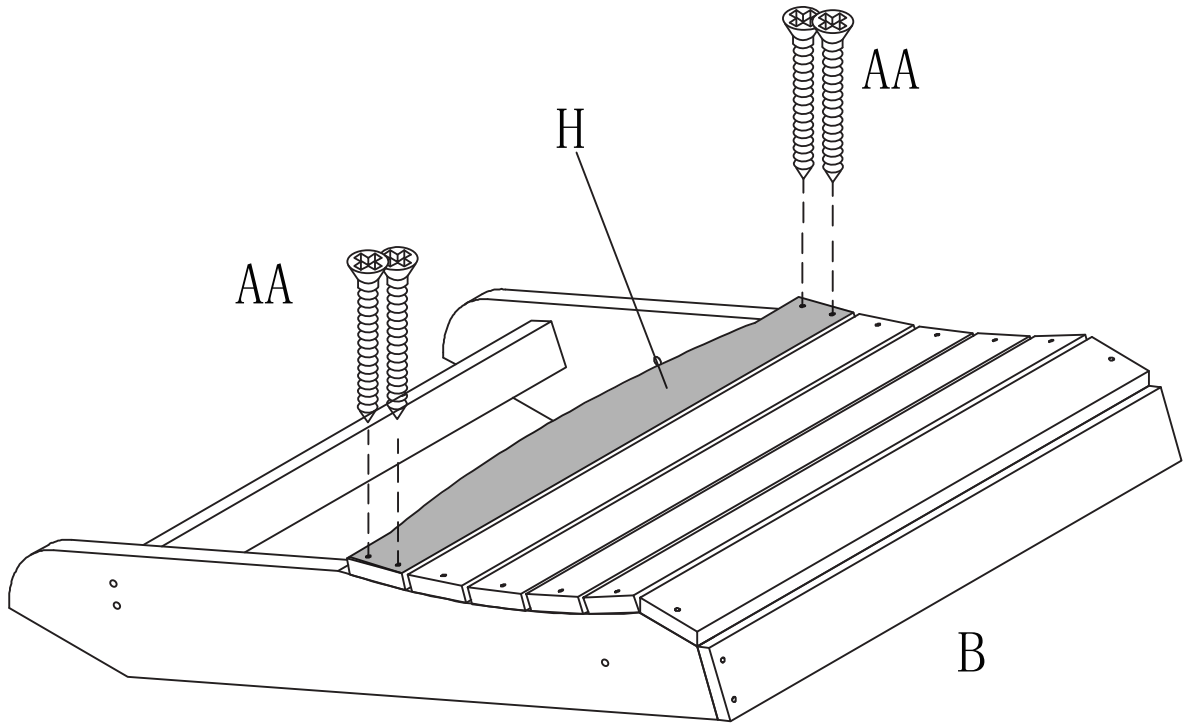
				
<b>A x 1PC</b>	<b>B x 1PC</b>	<b>C x 1PC</b>	<b>D x 1PC</b>	<b>E x 2PCS</b>
			 4*35 Screw	 M6*50 Bolt
<b>F x 2PCS</b>	<b>G x 1PC</b>	<b>H x 1PC</b>	<b>AA x 8PCS</b>	<b>BB x 6PCS</b>
 M6*50 Bolt	 M6*80 Bolt			
<b>CC x 2PCS</b>	<b>DD x 2PCS</b>	<b>Allen wrench x 1PC</b>	<b>Wrench x 1PC</b>	<b>Screwdriver x 1PC</b>



★ **NOTICE:** The washers coming with BB, CC and DD bolts must put between plastic parts, not the nut, it used to make the folding smoothly

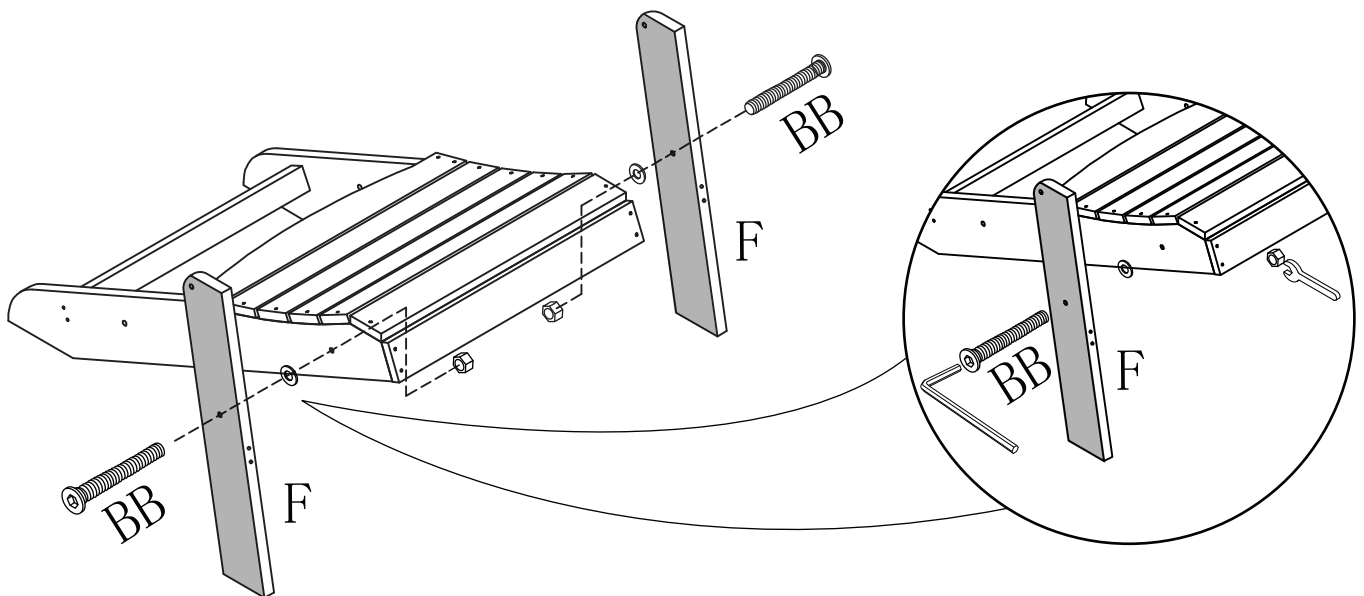
### Step 1

Attach (H) to Seat (B) by inserting Bolts (AA) on each side



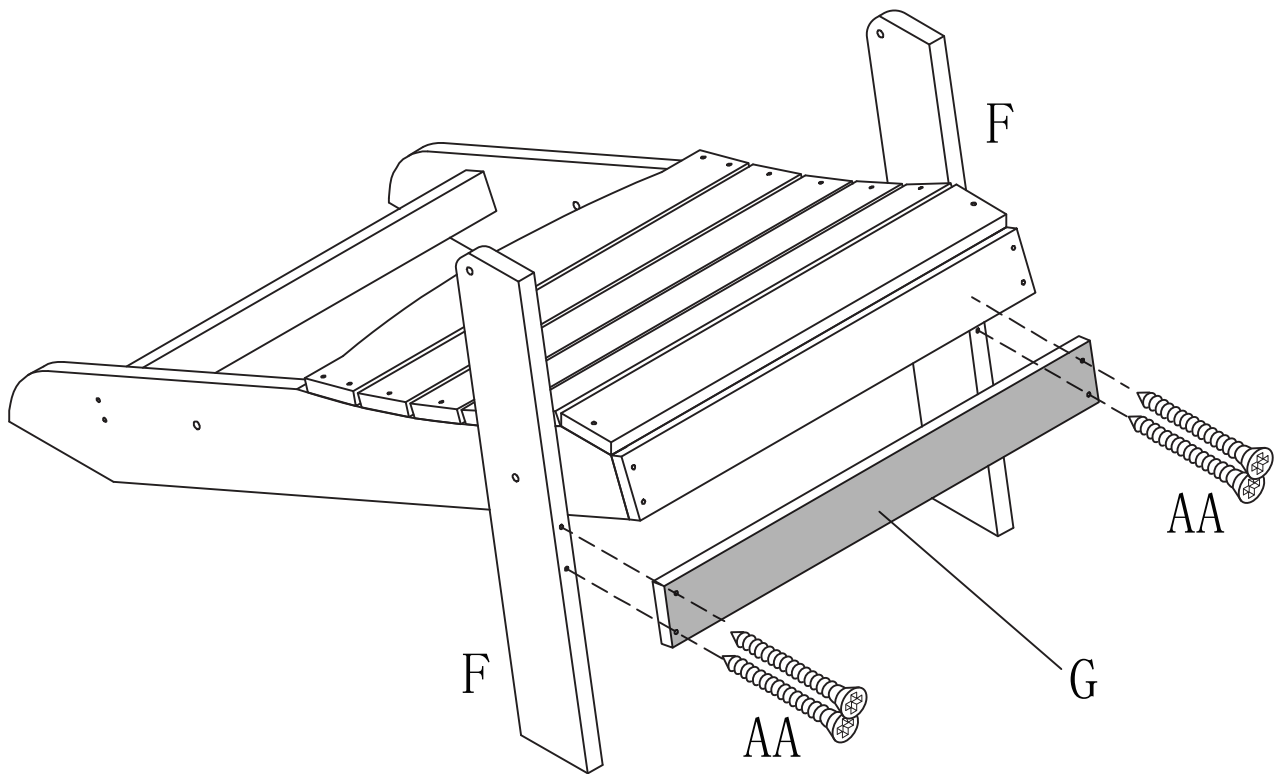
### Step 2

Attach Front Legs (F) to Seat (B) by inserting Bolts (BB) on each side into the corresponding holes. Secure each bolt with a washer and a nut come with bolt (BB) as pictured.



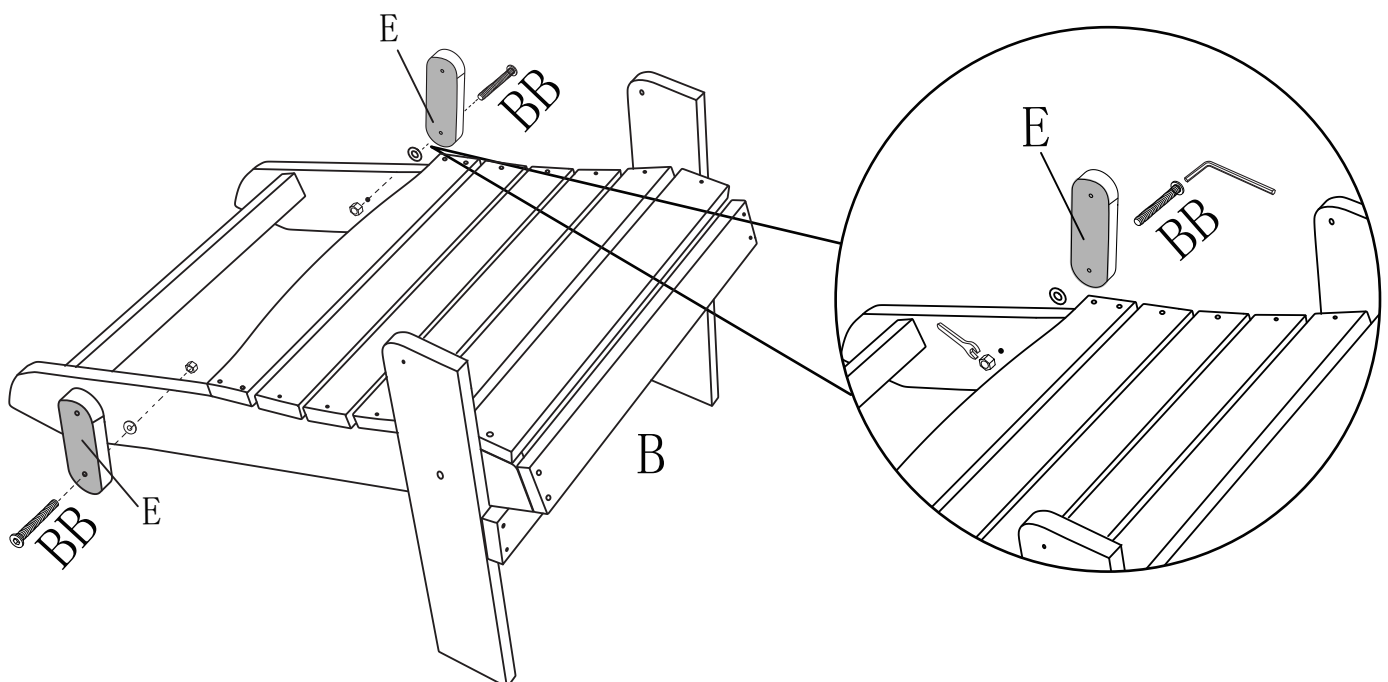
### Step 3

Attach (G) to Front Legs (F) using bolts (AA) as pictured.



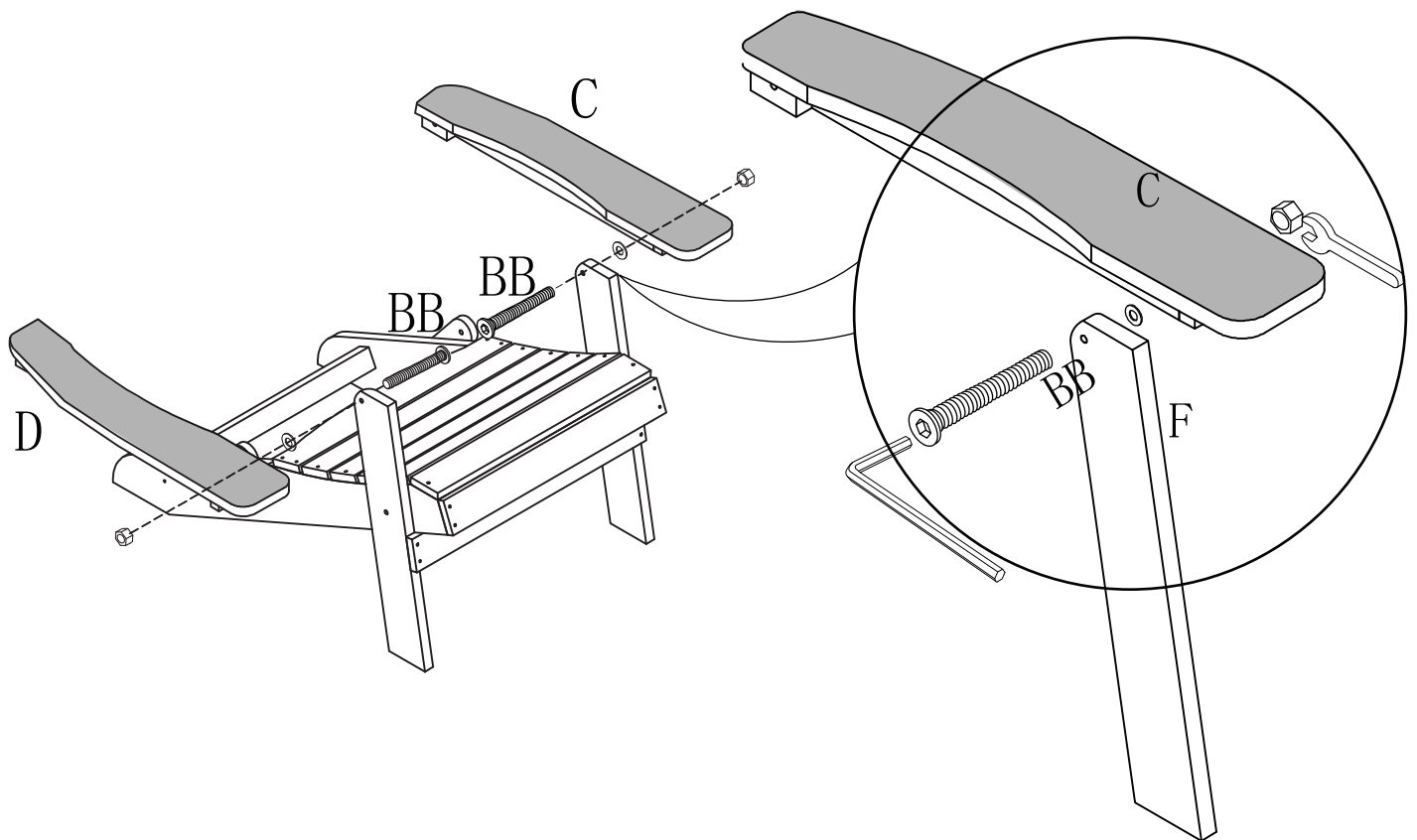
### Step 4

Attach (E) to Seat (B) by inserting Bolts (BB) on each side and secure each bolt with a washer and a nut come with bolt(BB) as pictured on each side.



## Step 5

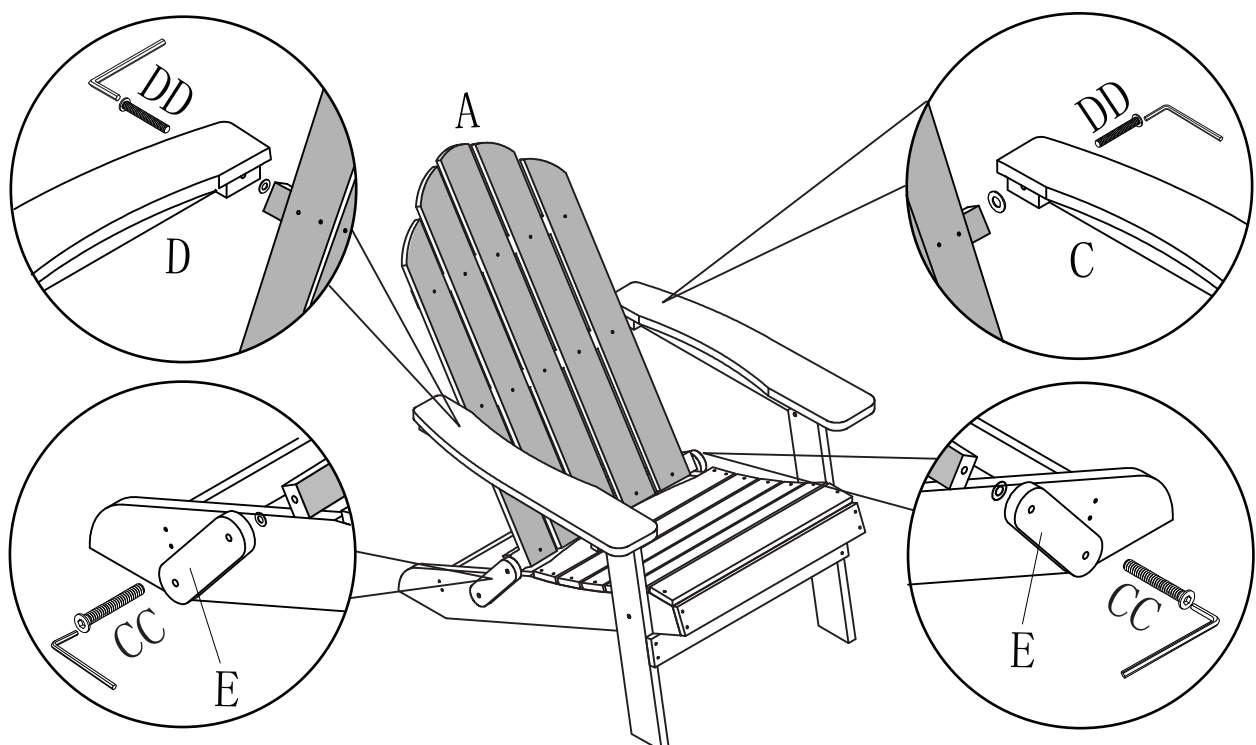
Attach the the Arms (C) and (D) to the Front Legs (F) using Bolts (BB) and secure each bolt with a washer and a nut come with bolt(BB) as pictured.



## Step 6

Attach the Back (A) to the (E) using bolts (CC). Attach Back (A) to Arms (C) and (D) using bolts (DD) as pictured.

**Finally, please make sure that do not over thight the screws, in order to fold smoothly, also not too loose, in order to maintain stability.**



## **IMPORTANT NOTE!**

**NEVER** adjust the level of recline while you are sitting in the chair, or while anyone else is in the chair.

Always adjust with an empty chair and ensure that the back support is completely secure in the recline slots on each side of the chair. To fold the chair, lift the back support and gently push down on the back of the chair. And the chair will collapse down to the floor level.

## **PRODUCT WARRANTY**

All our Chair have a 3-year warranty, during use which we will provide free spare parts if any parts are damaged (but you need to bear reasonable shipping costs)

All parts missing, defective, please contact us before return, we will make everything right for you!