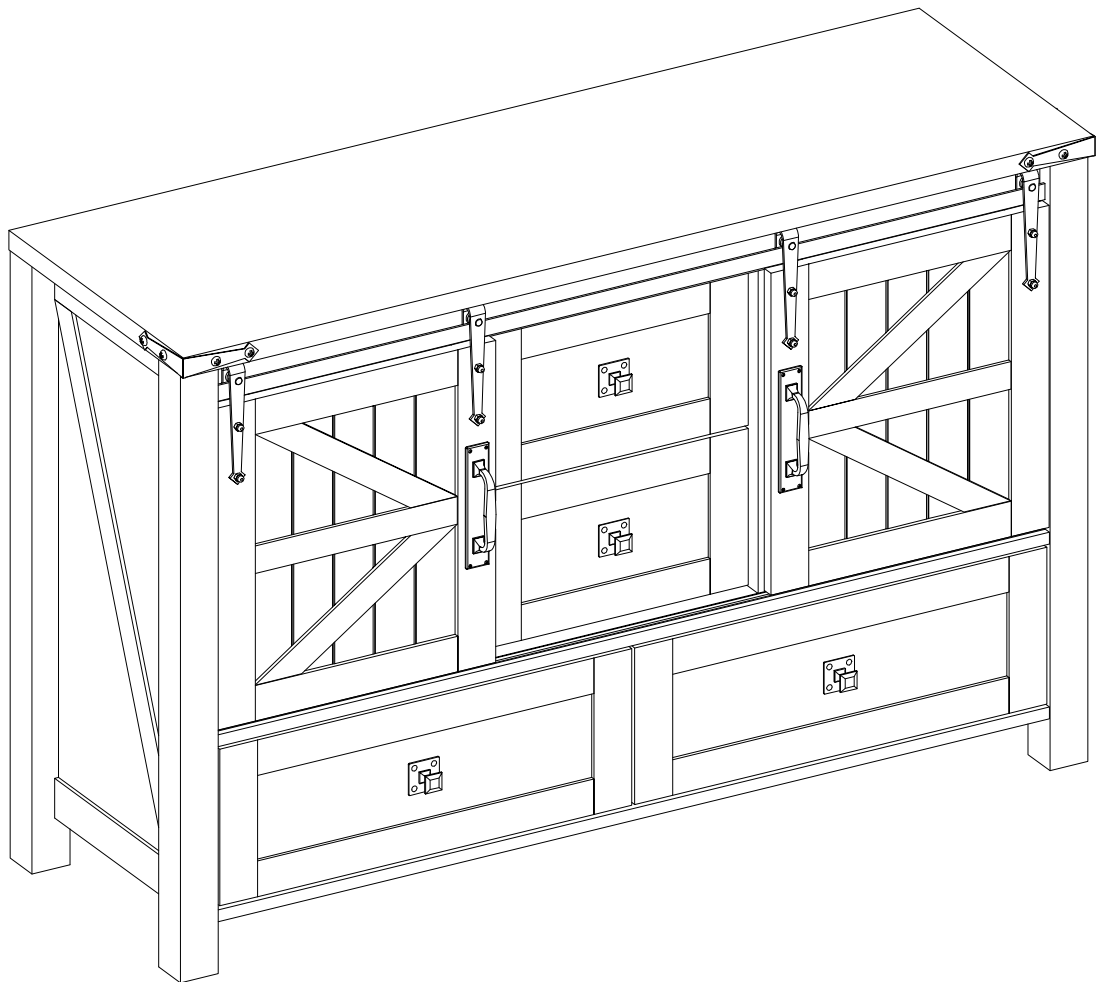
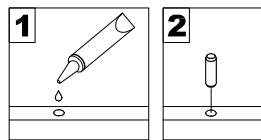


Assembly Instructions

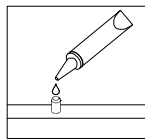


General Assembly Guidelines

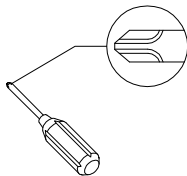
- I. Ensure that all parts and hardware are available before beginning assembly.
- II. Follow each step carefully to ensure the proper assembly of this product.
- III. Two people are recommended for ease in the assembly of this product.
- IV. The three main types of hardware used to assemble this product are : wood dowels , screws and bolts.
- V. The provided glue is to secure wood dowels in place . When first inserting dowels , locate the appropriate hole for the dowel , place a small amount of glue in the hole and insert the dowel . Wipe away excess glue immediately.



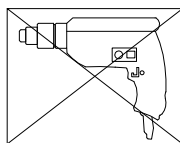
In future assembly steps when dowels are necessary to attach assembly parts together , place a small amount of glue on the end of the dowel before attaching parts together . Wipe away excess glue immediately.



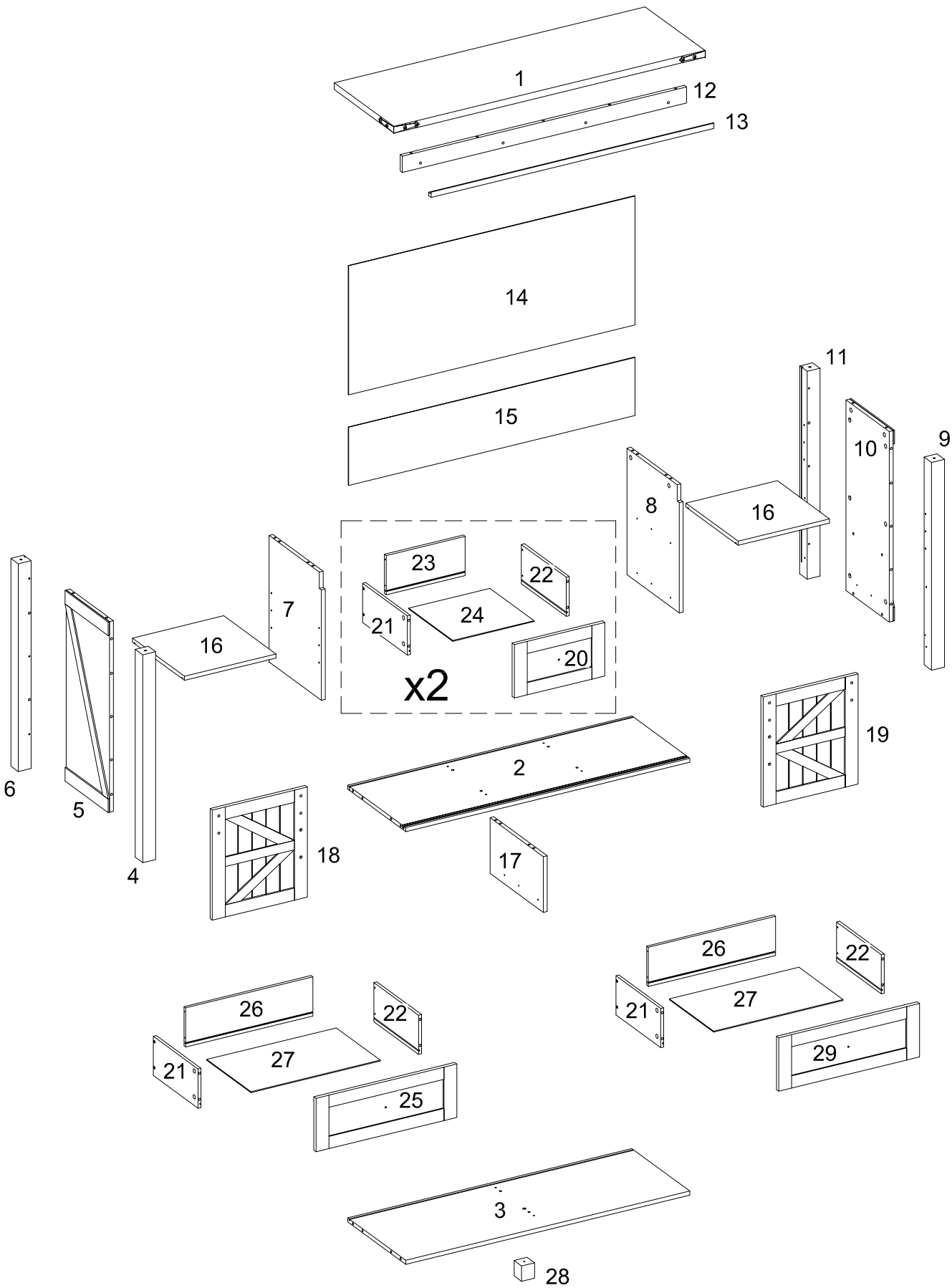
- VI. A Phillips head screwdriver is required for the assembly of this product .




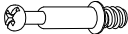



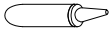
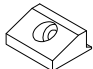
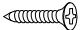

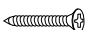
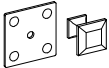

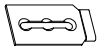



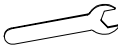
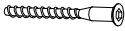

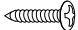
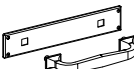
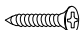
- VII. Power tools should not be used to assemble this product .

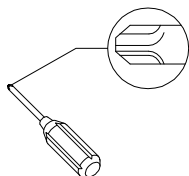


Parts List



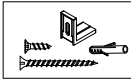



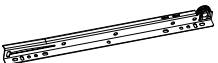
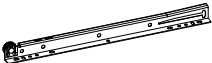
Hardware List

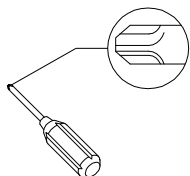
A		Ø8x30mm	Wooden dowel	34 pcs
B		Ø6x35mm	Cam bolt	49 pcs
C		Ø15x11mm	Cam lock	33 pcs
D		Ø30mm	Sticker	33 pcs
E		Ø8x5x16mm	Shelf support pin	8 pcs
F			Glue tube	1 pc
G			Plastic wedge	12 pcs
H		Ø3x17mm	Flat-head screw	12 pcs
J		Ø4x12mm	Handle bolt	8 pcs
K		Ø4x38mm	Screw	16 pcs
L			Handle	4 pcs
M		Ø15x9.5mm	Cam lock	16 pcs
N			Plate	4 pcs
P			Pulley	4 pcs
Q			Nut	8 pcs
R		Ø6x25mm	Bolt	12 pcs
S			Wrench	1 pc
T		Ø6x50mm	Screw	7 pcs
U		M 4	Hexagon socket key	1 pcs
V		Ø4x12mm	Screw	8 pcs
W			Handle	2 pcs
X		Ø3.5x12mm	Screw	48 pcs



Philips head screwdriver required for assembly
(not included)

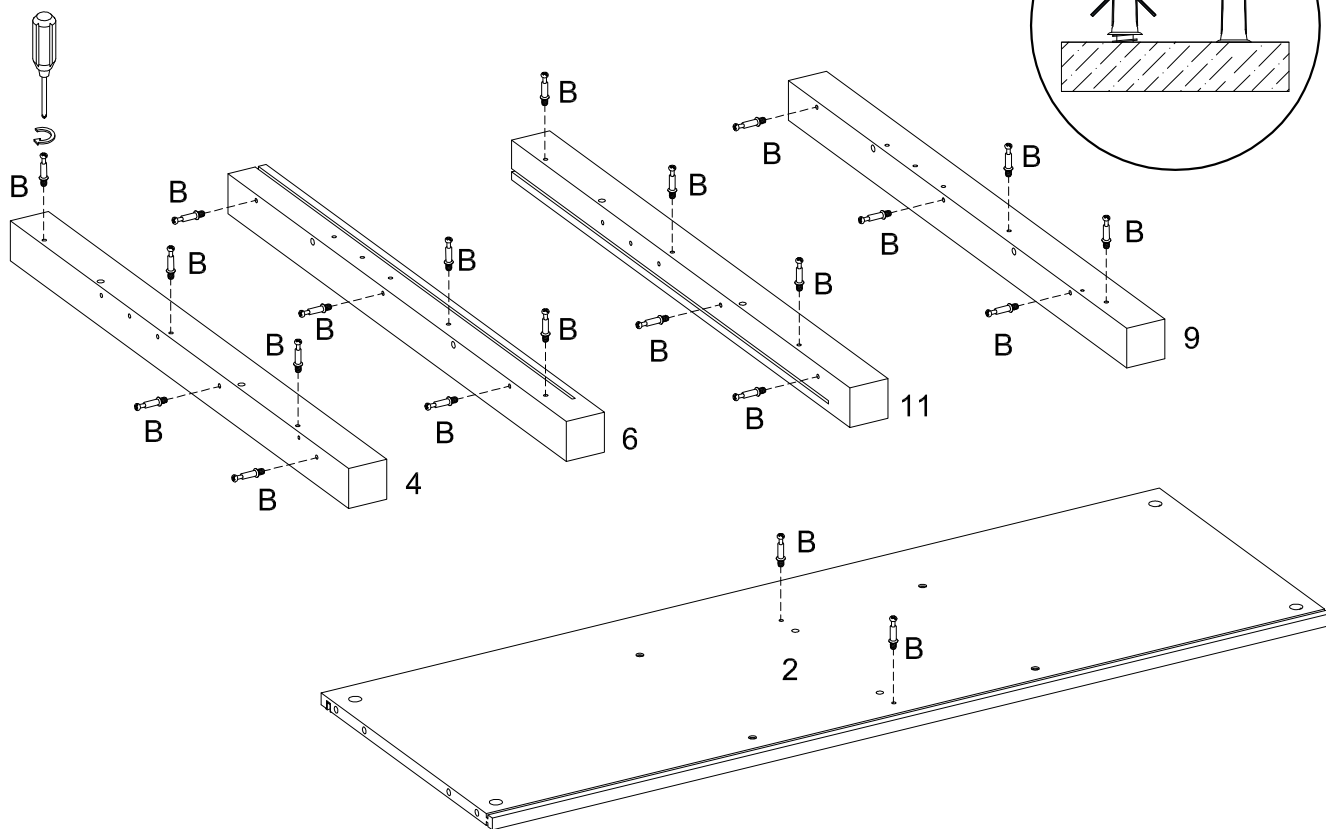
Hardware List

Y			Tipping Restraint Hardware	2 set
Z		Ø30mm	Drawer sticker	16 pcs
AA		12"	Left cabinet member	4 pcs
BB		12"	Right cabinet member	4 pcs
CC		12"	Left drawer runner	4 pcs
DD		12"	Right drawer runner	4 pcs

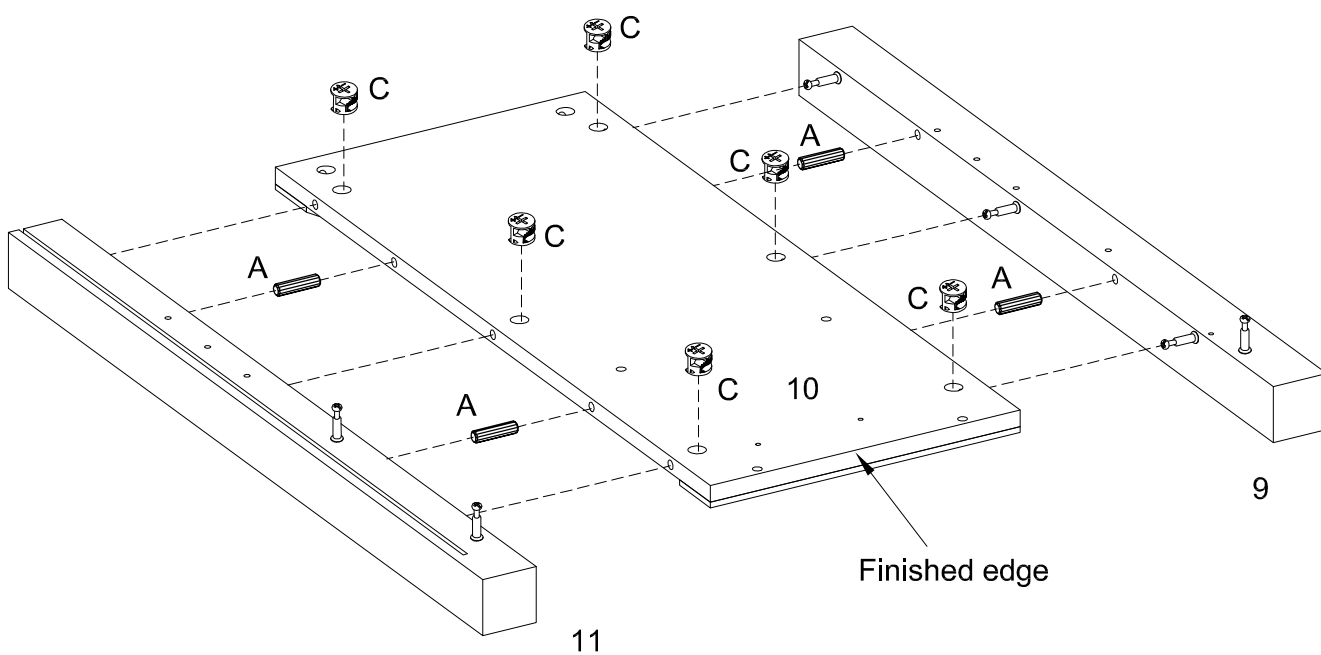
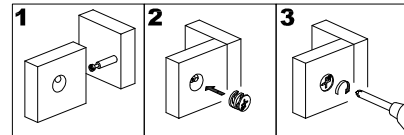


Philips head screwdriver required for assembly
(not included)

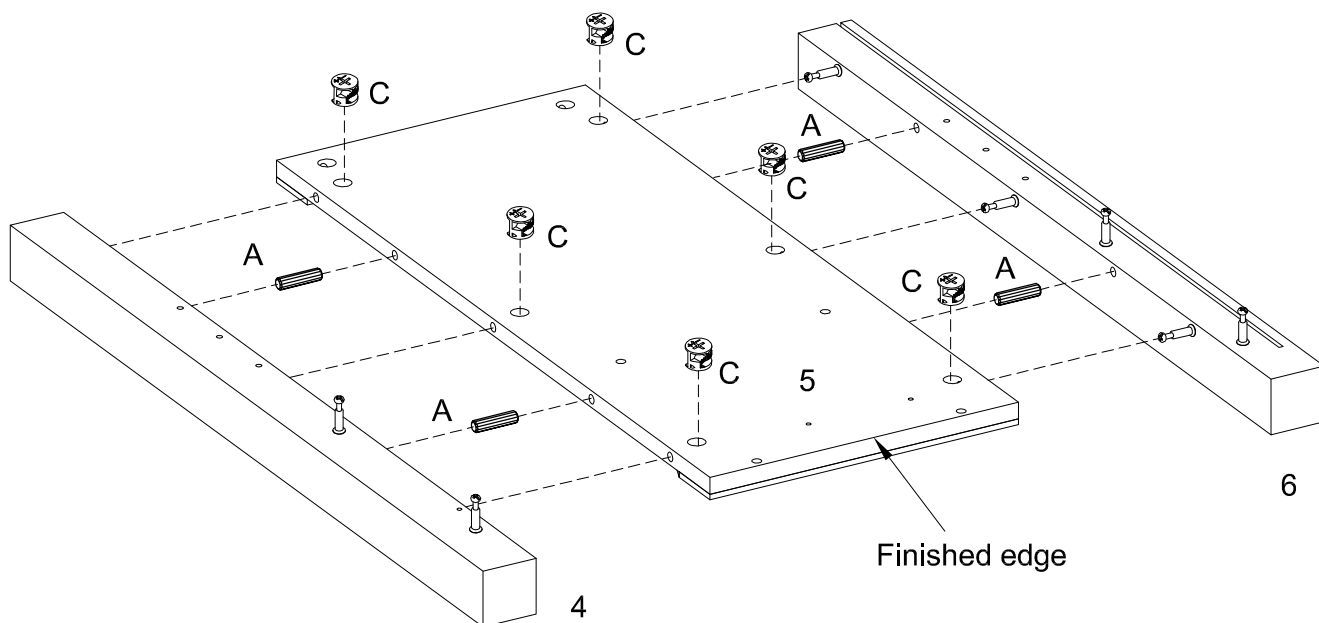
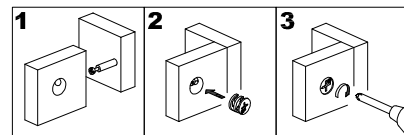
Step 1



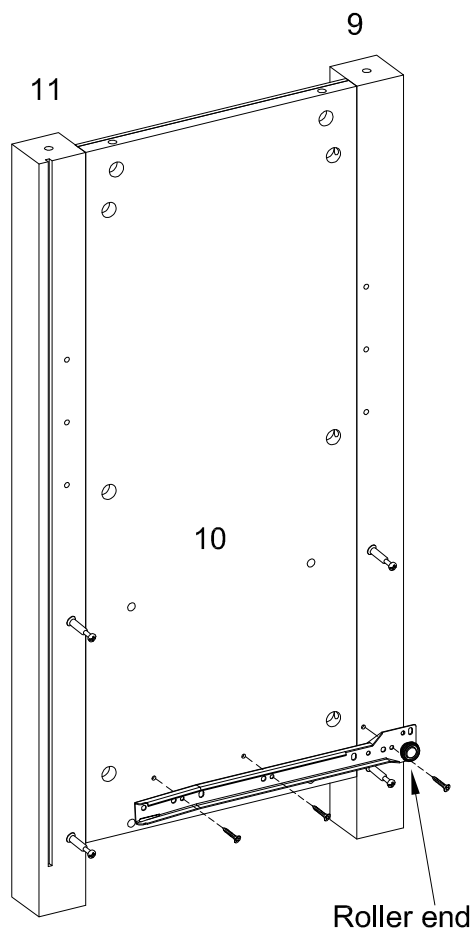
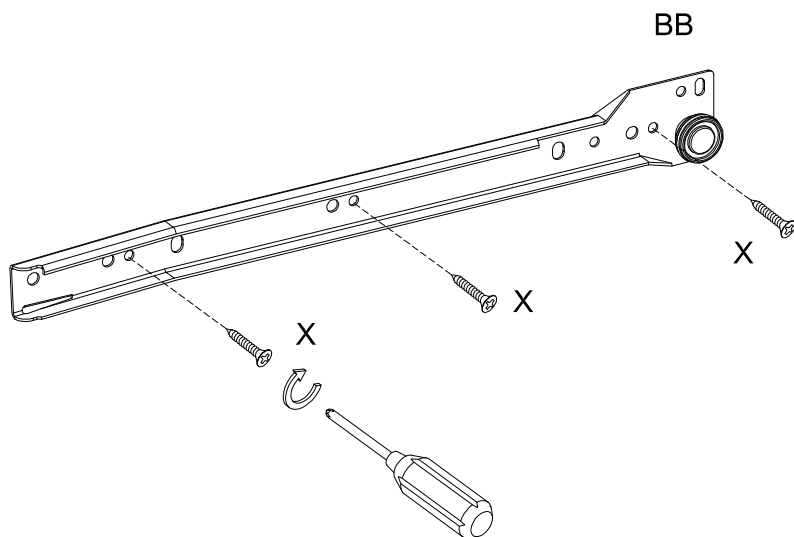
Step 2



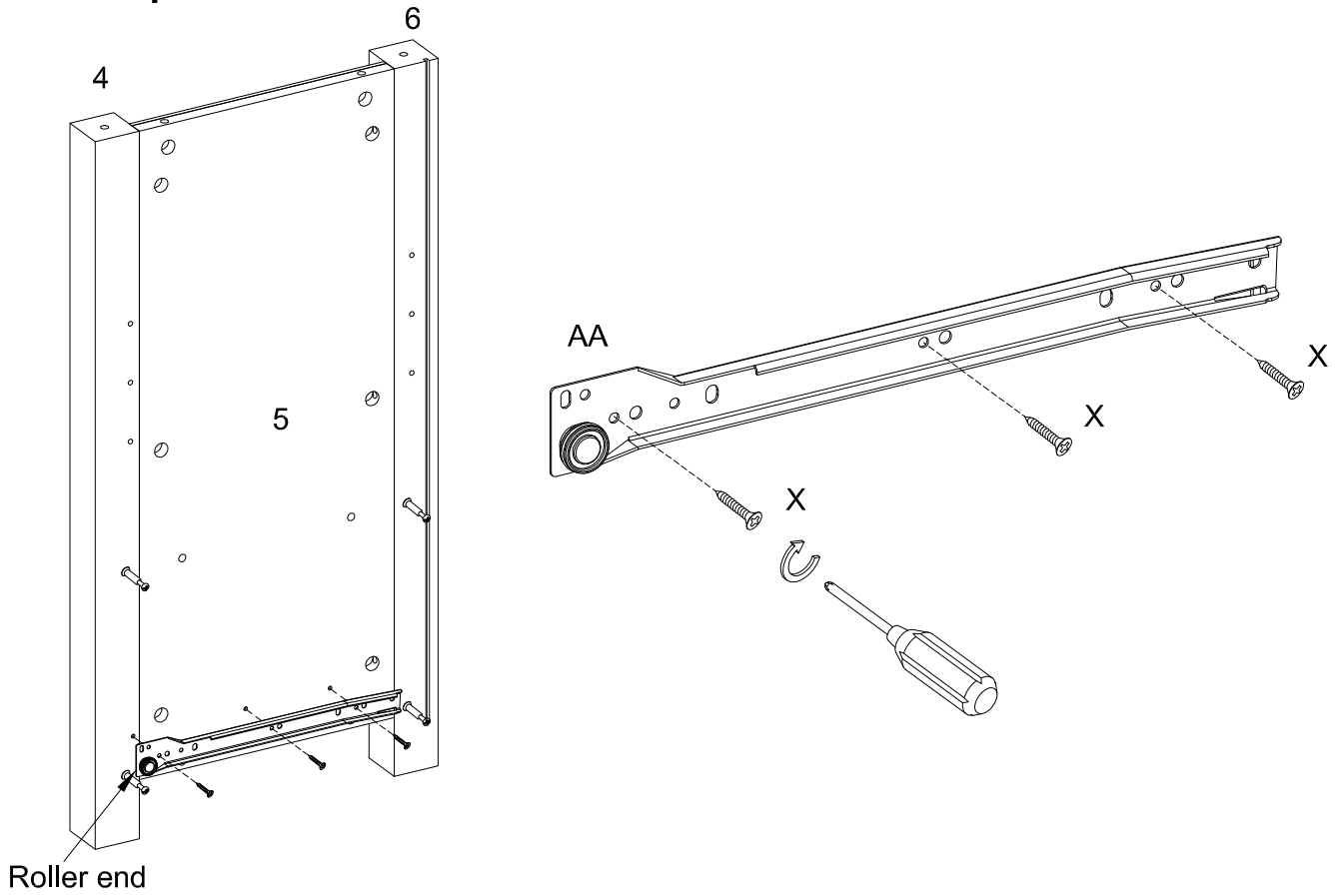
Step 3



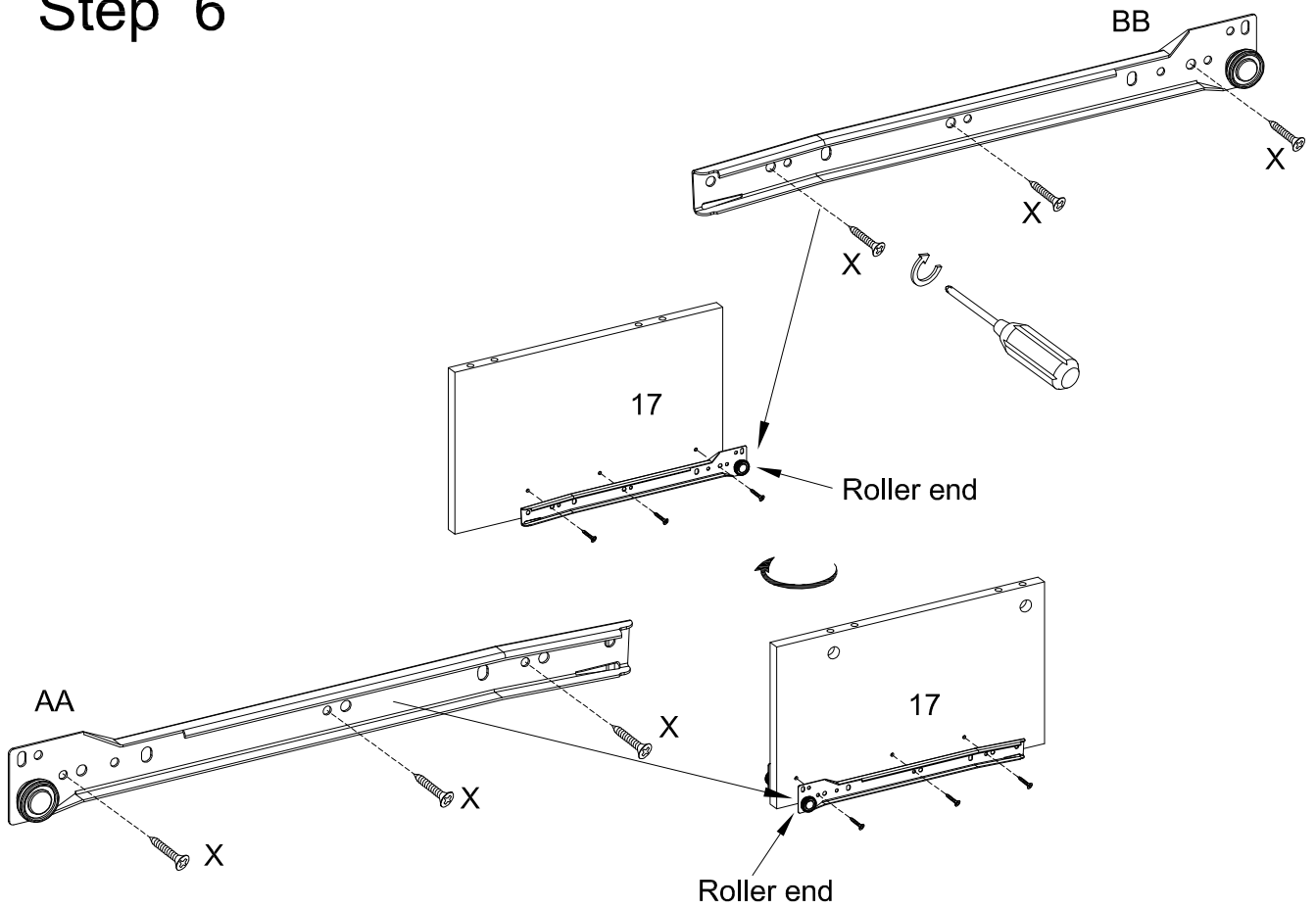
Step 4



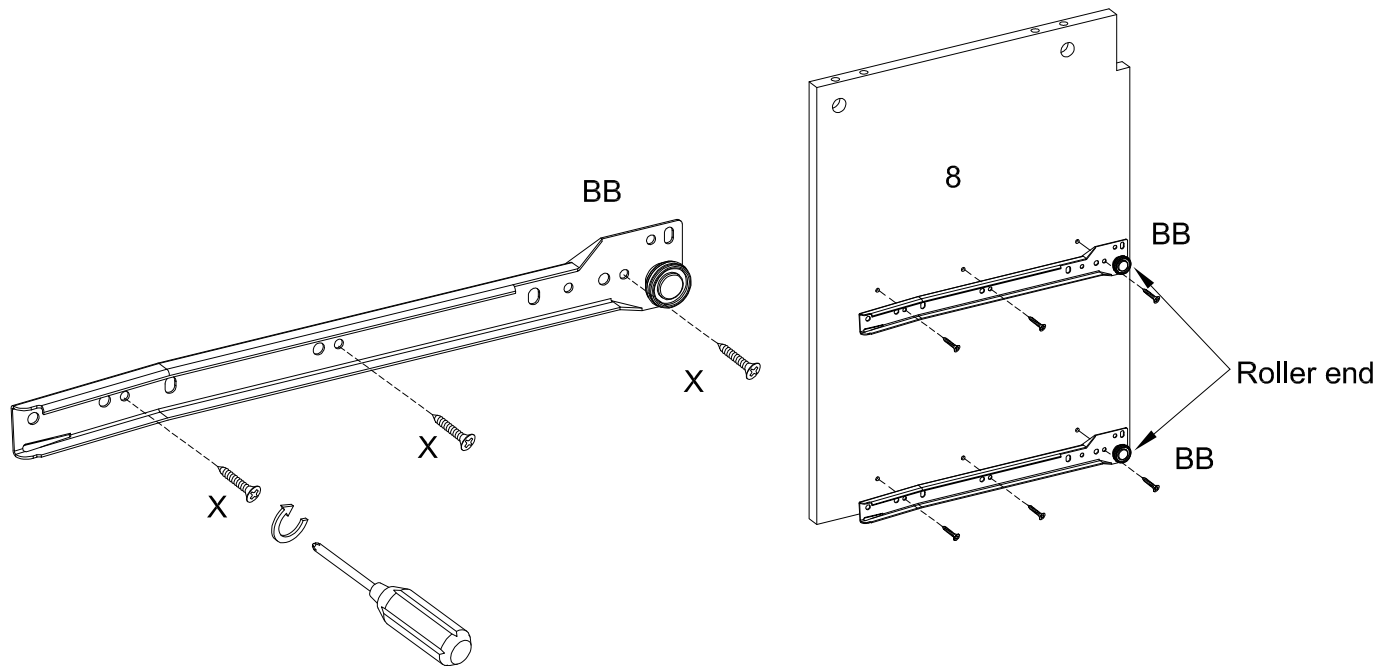
Step 5



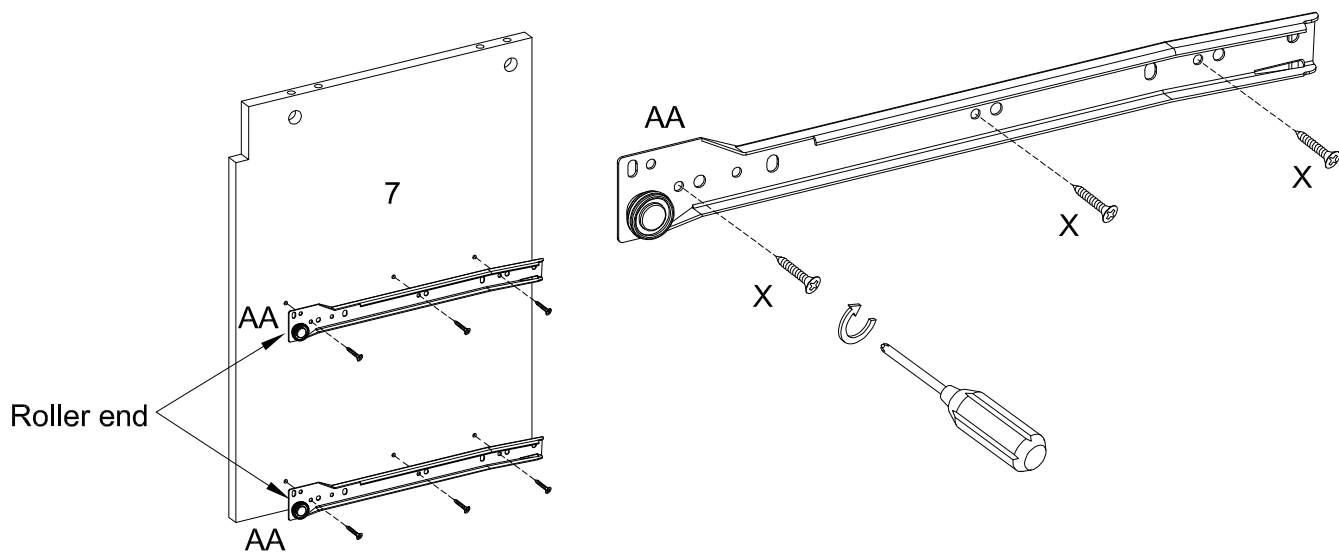
Step 6



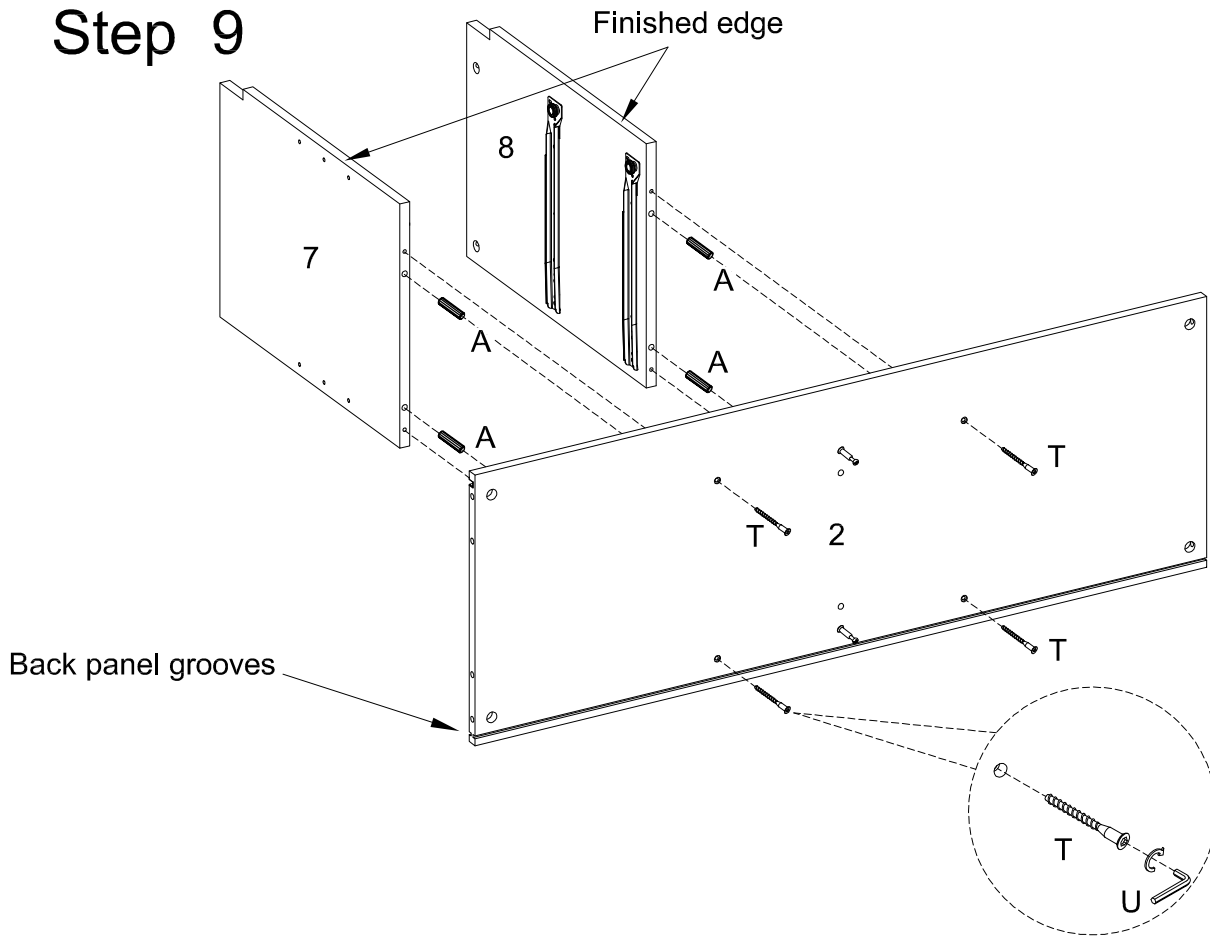
Step 7



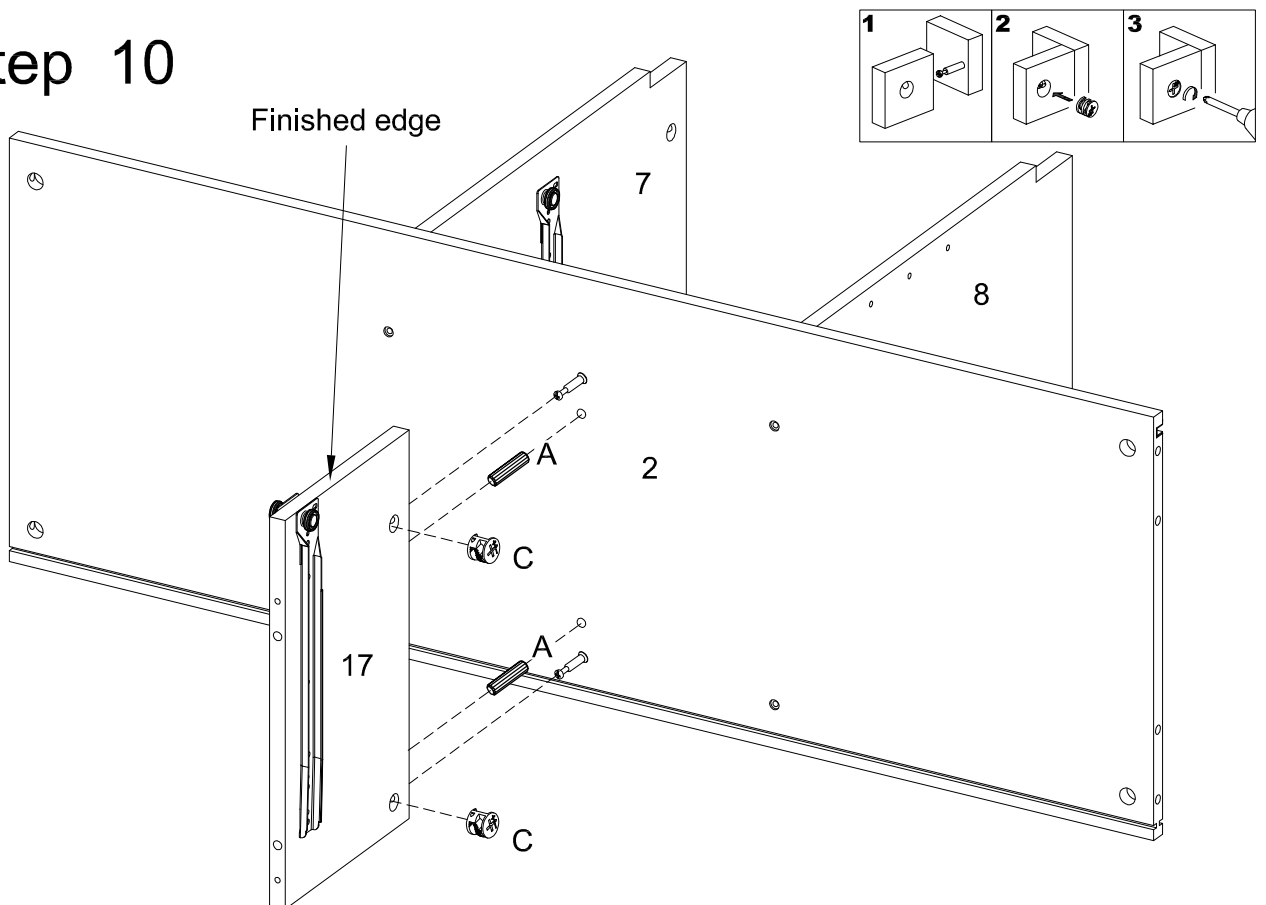
Step 8



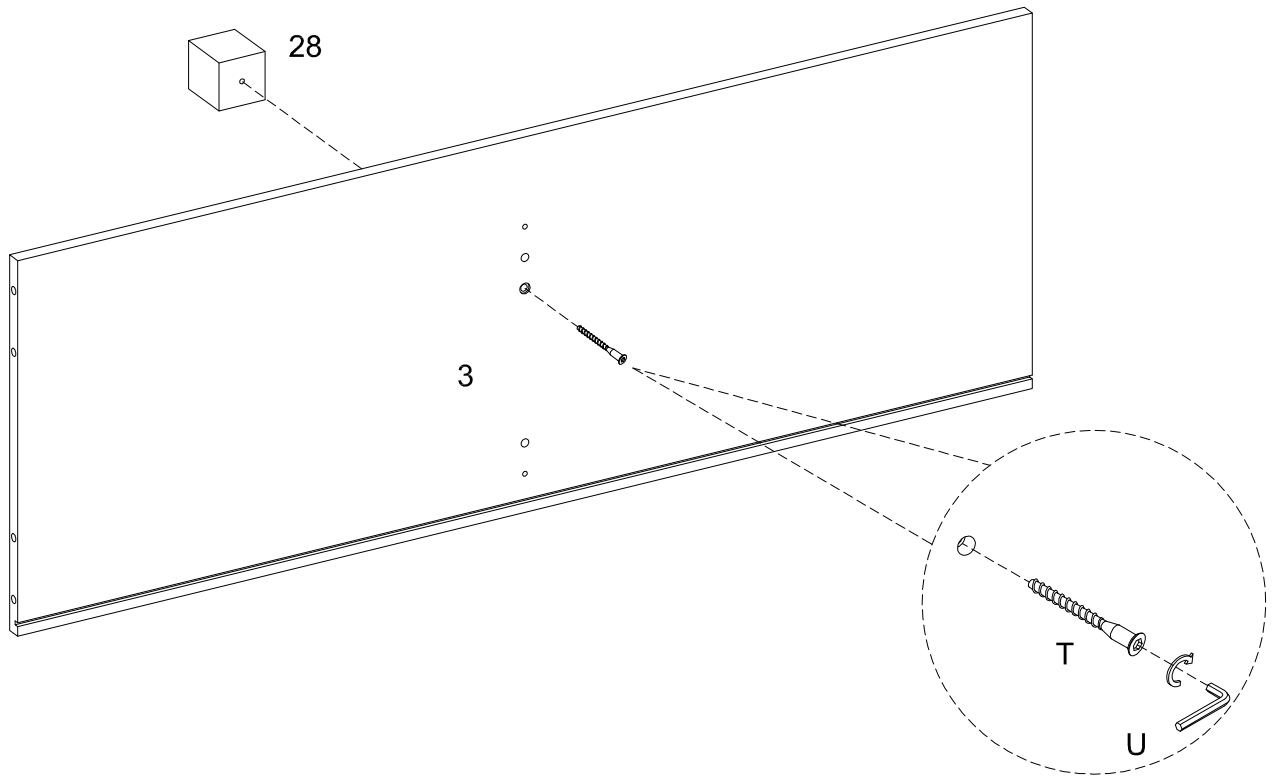
Step 9



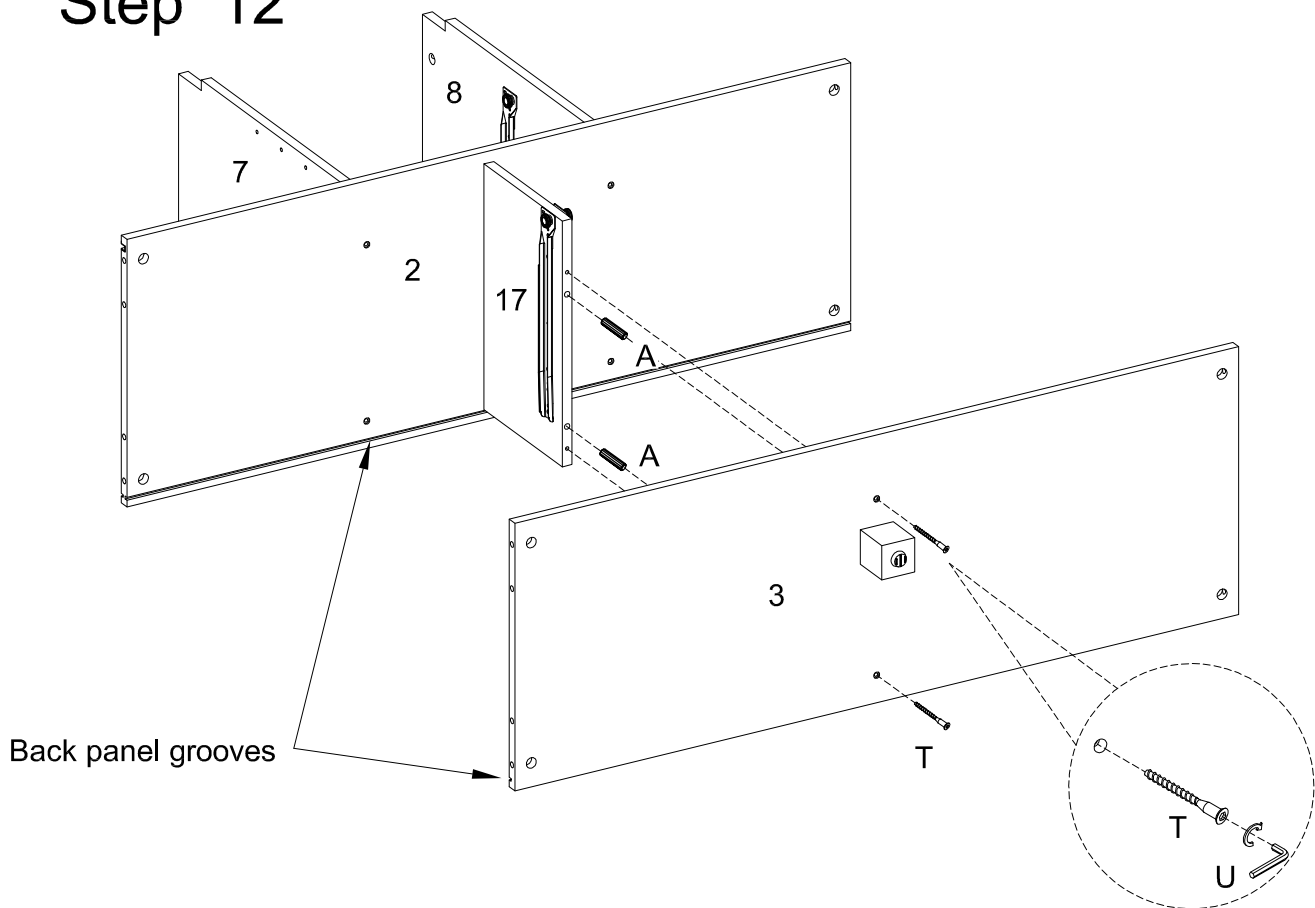
Step 10



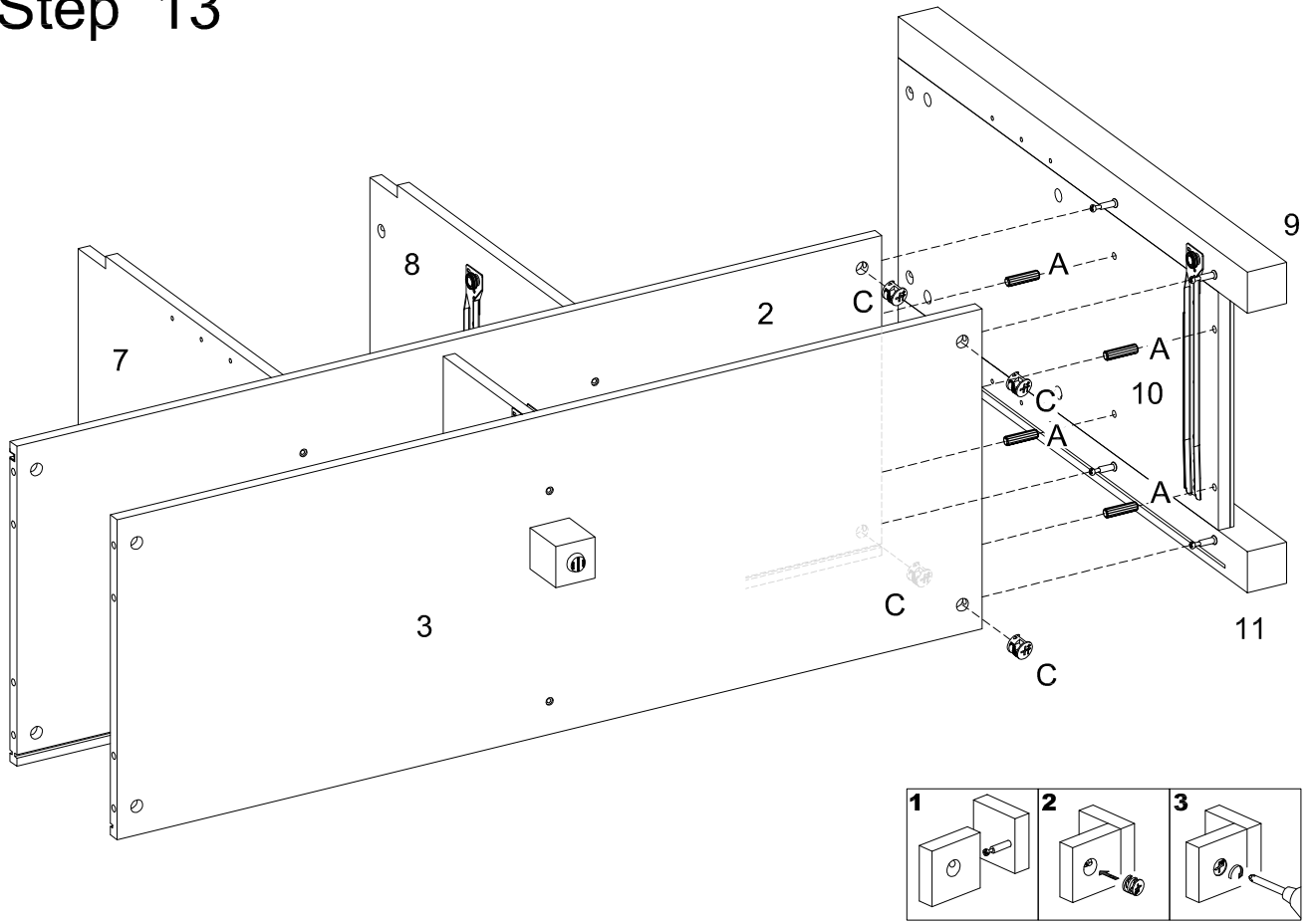
Step 11



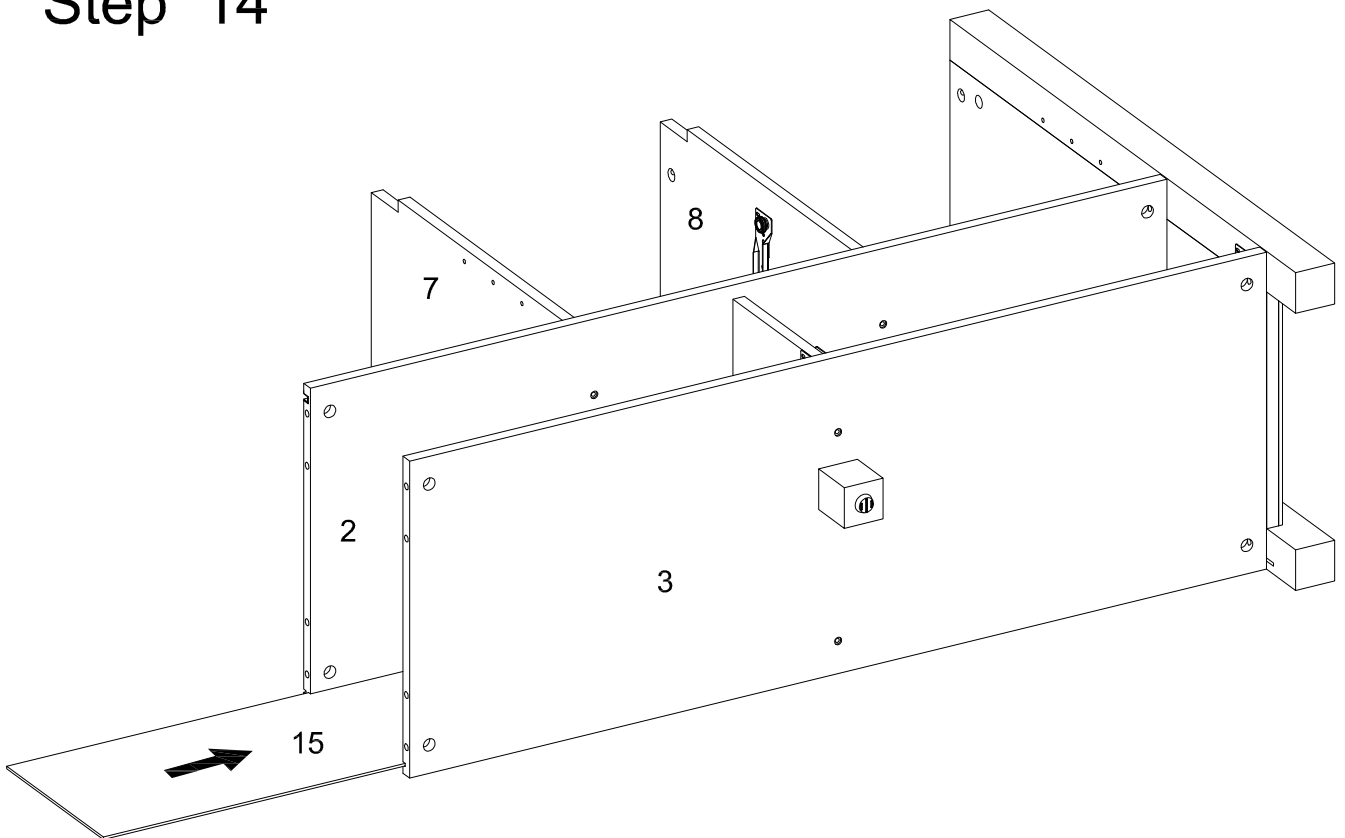
Step 12



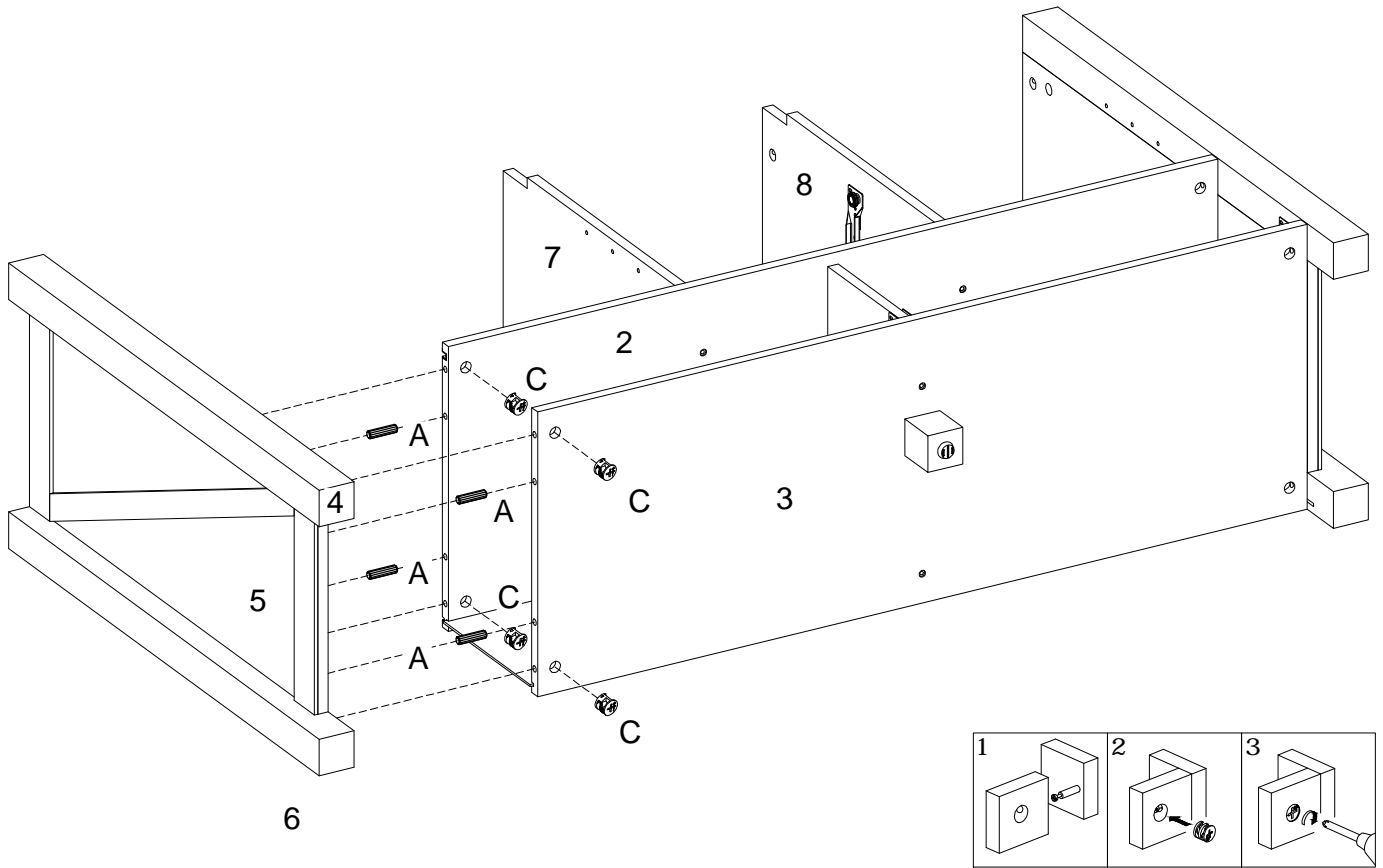
Step 13



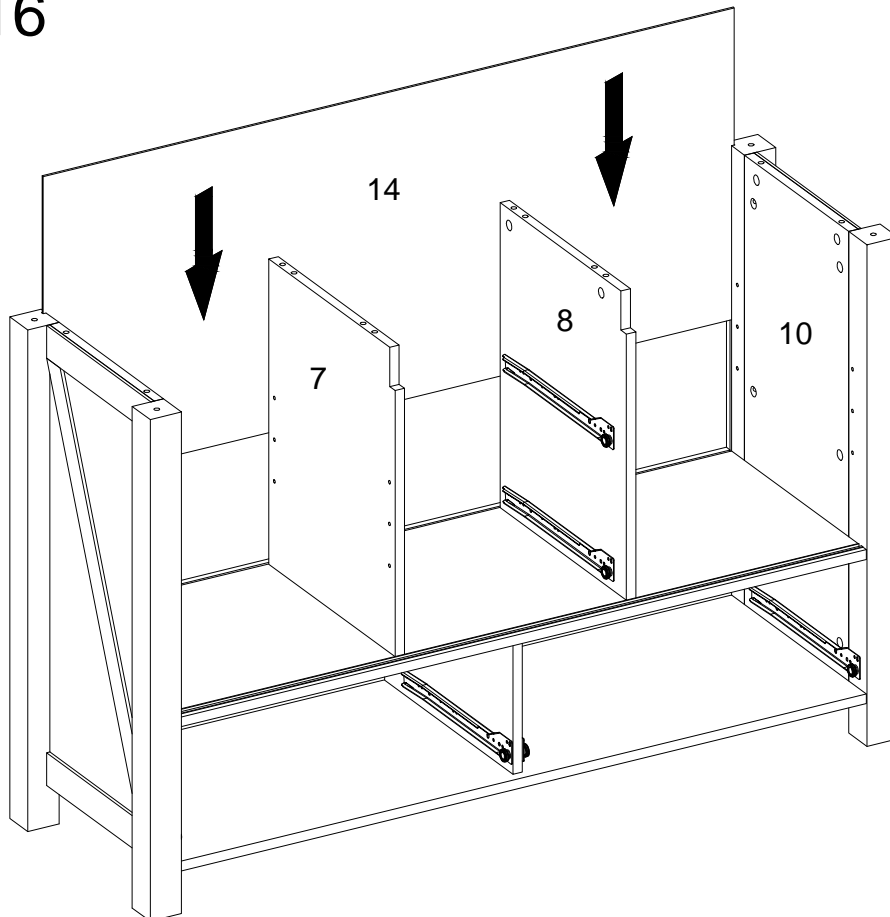
Step 14



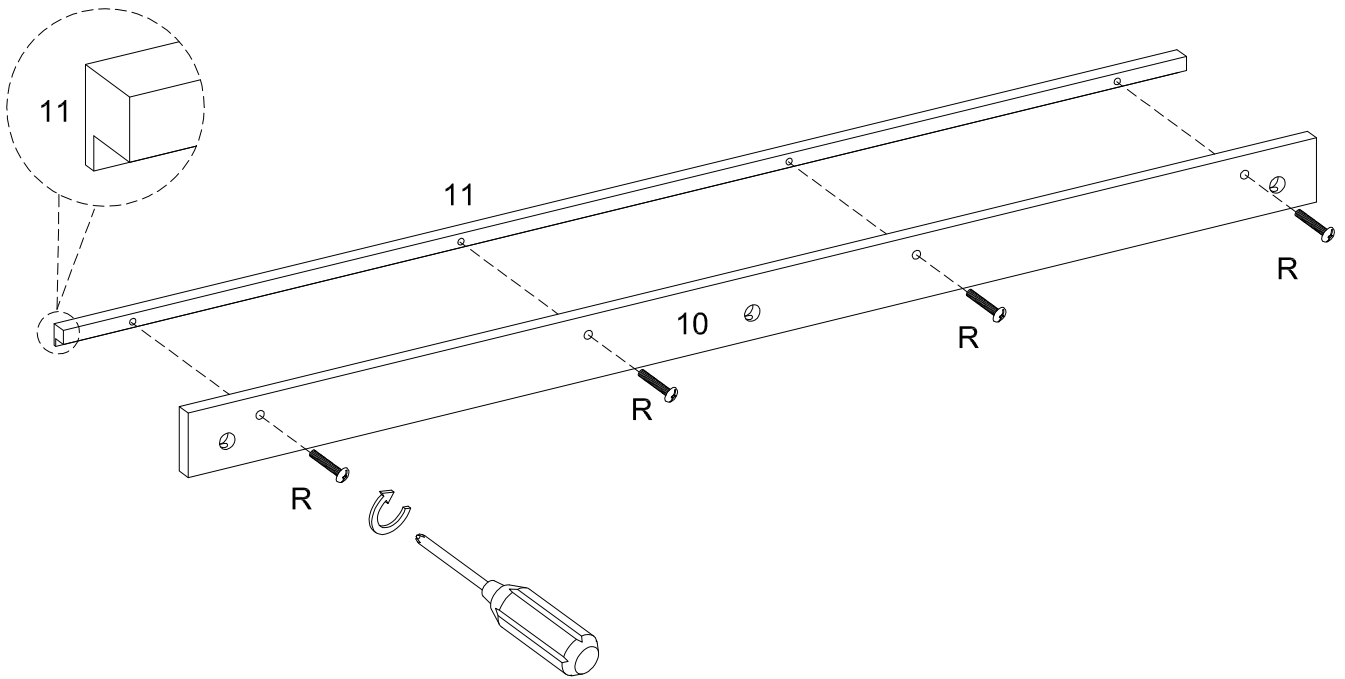
Step 15



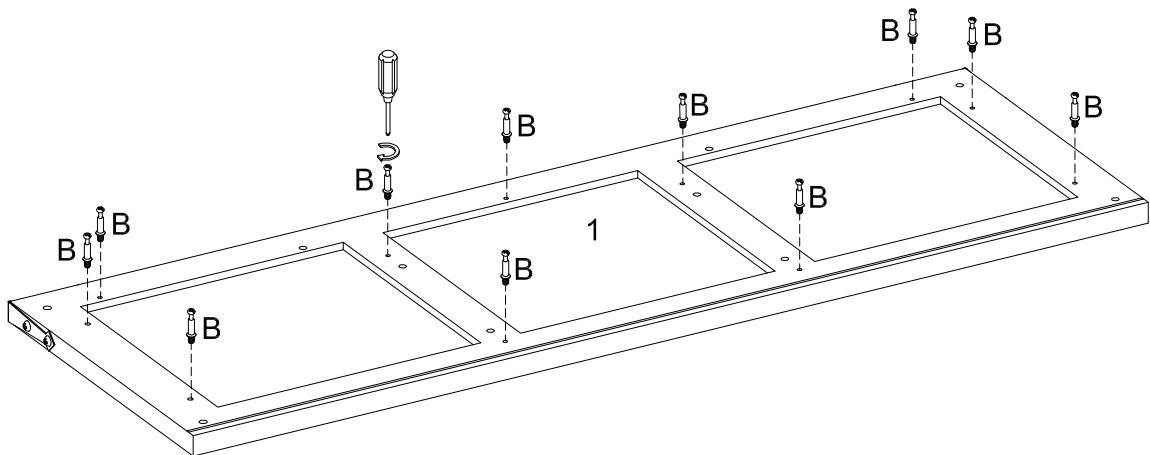
Step 16



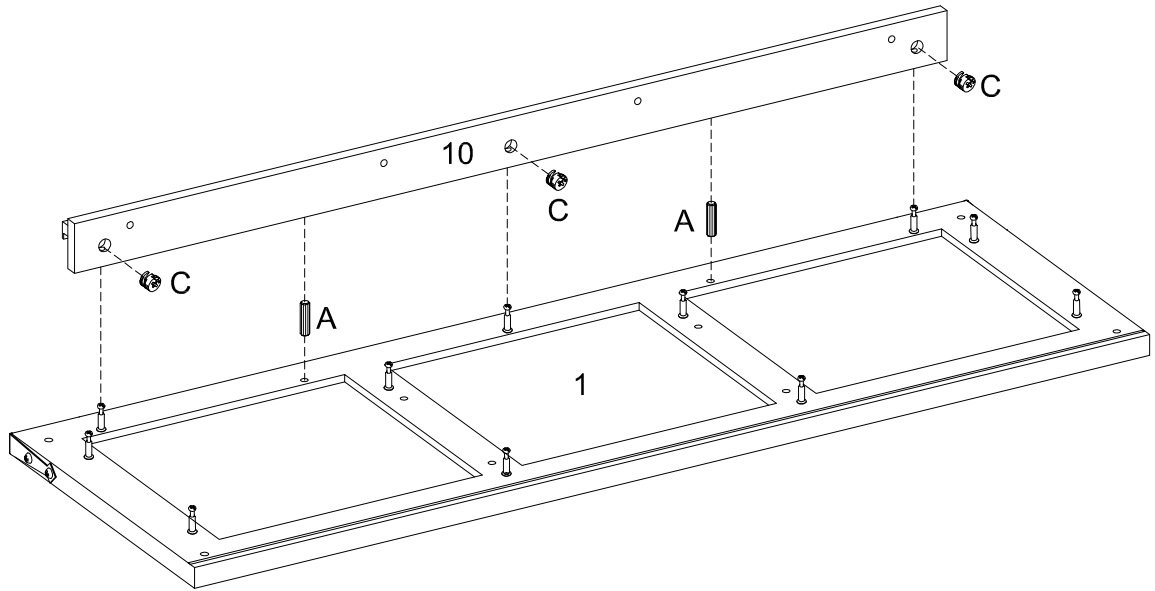
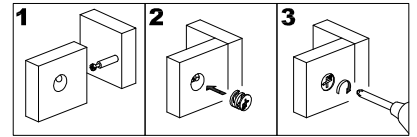
Step 17



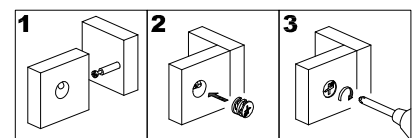
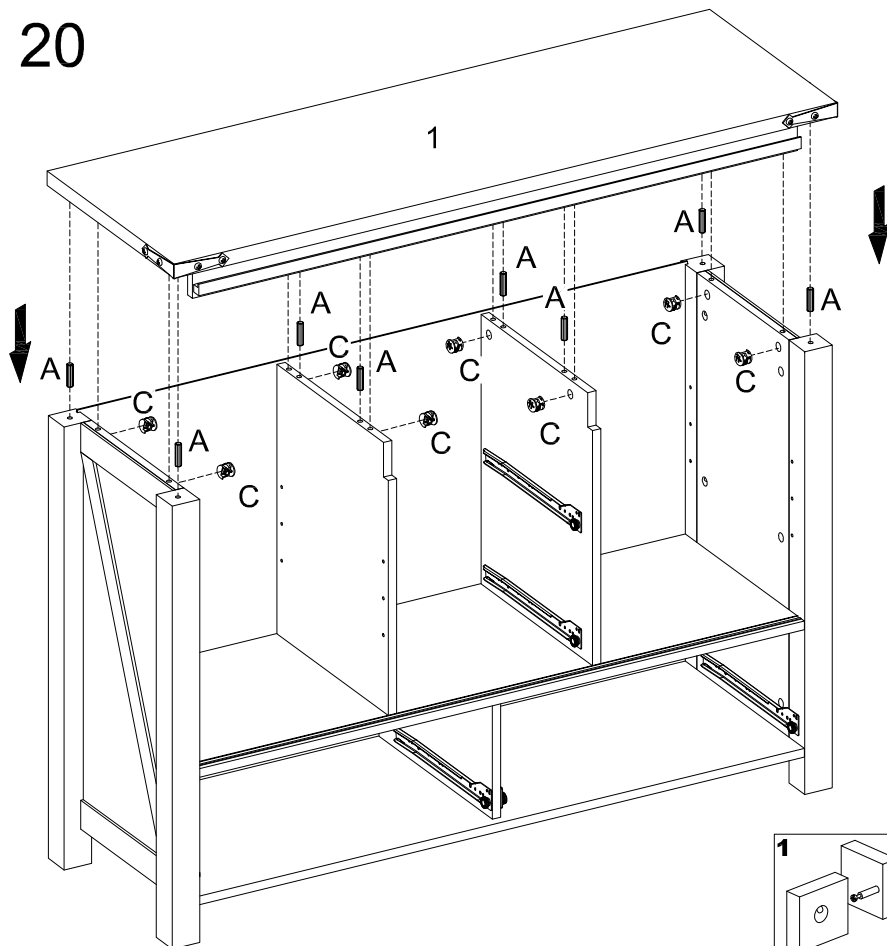
Step 18



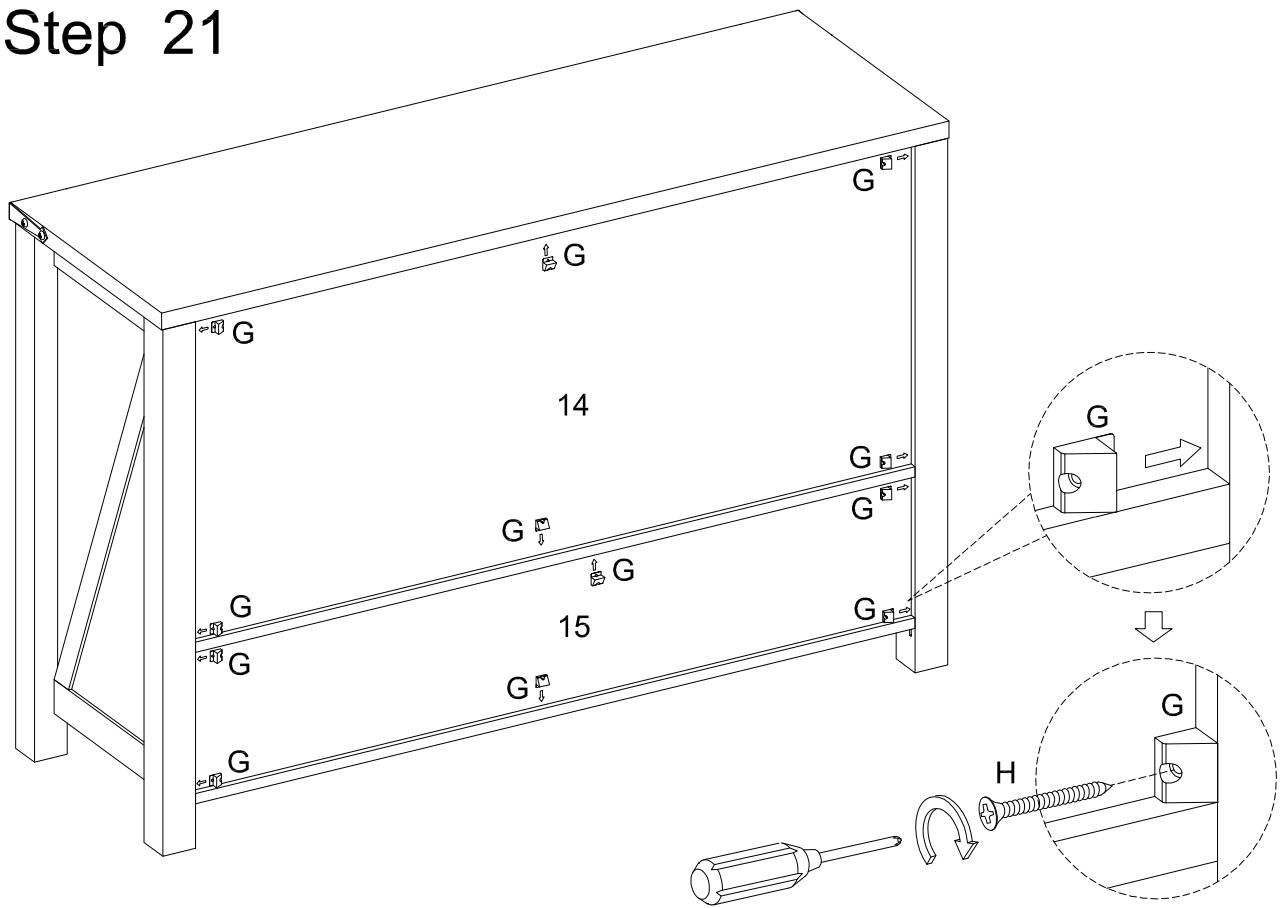
Step 19



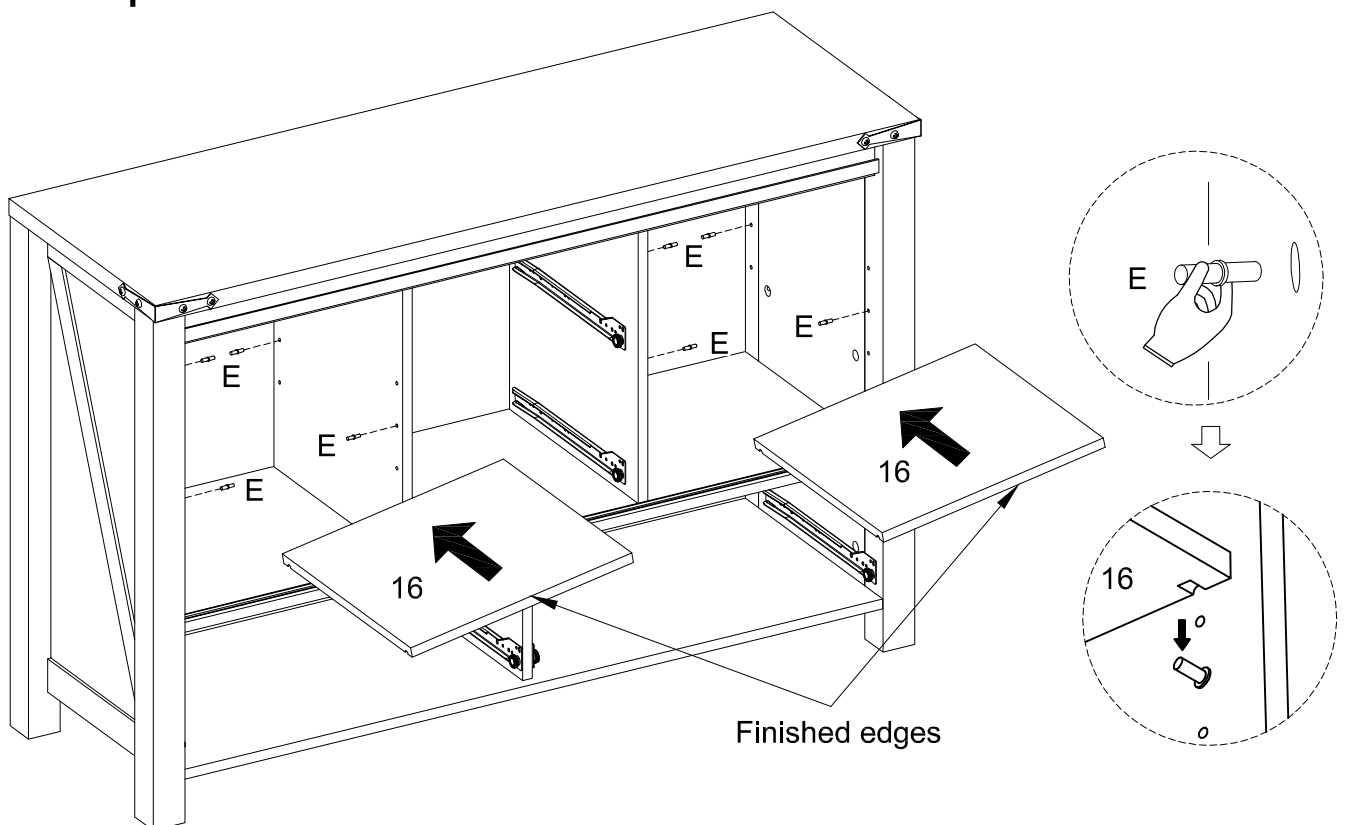
Step 20



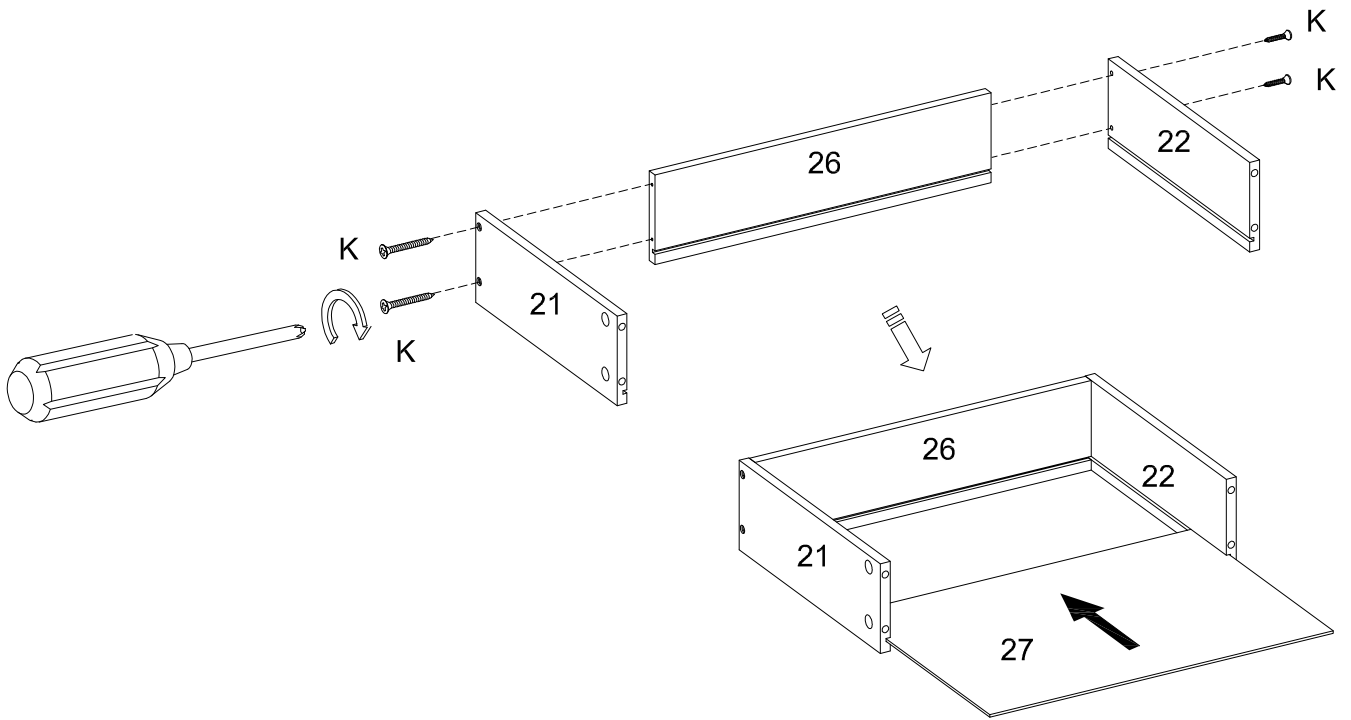
Step 21



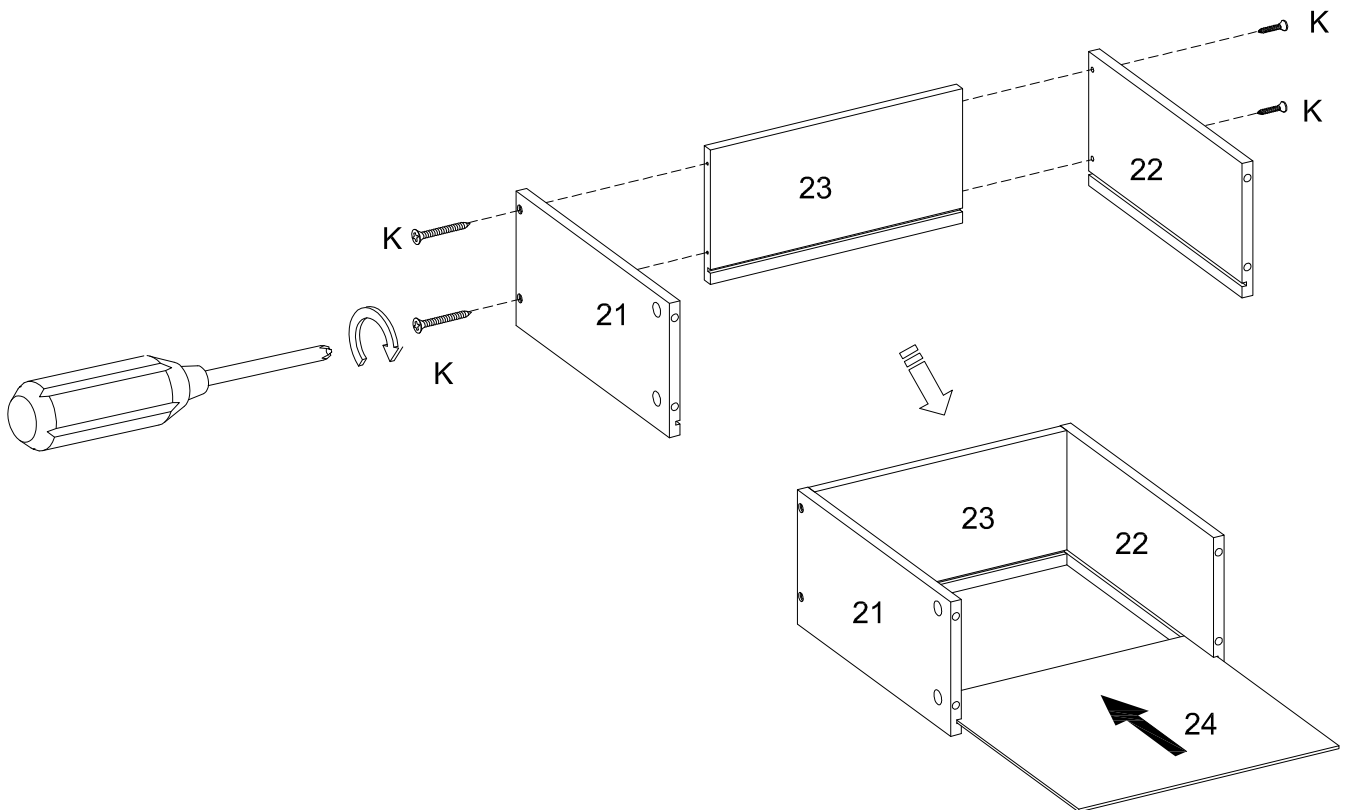
Step 22



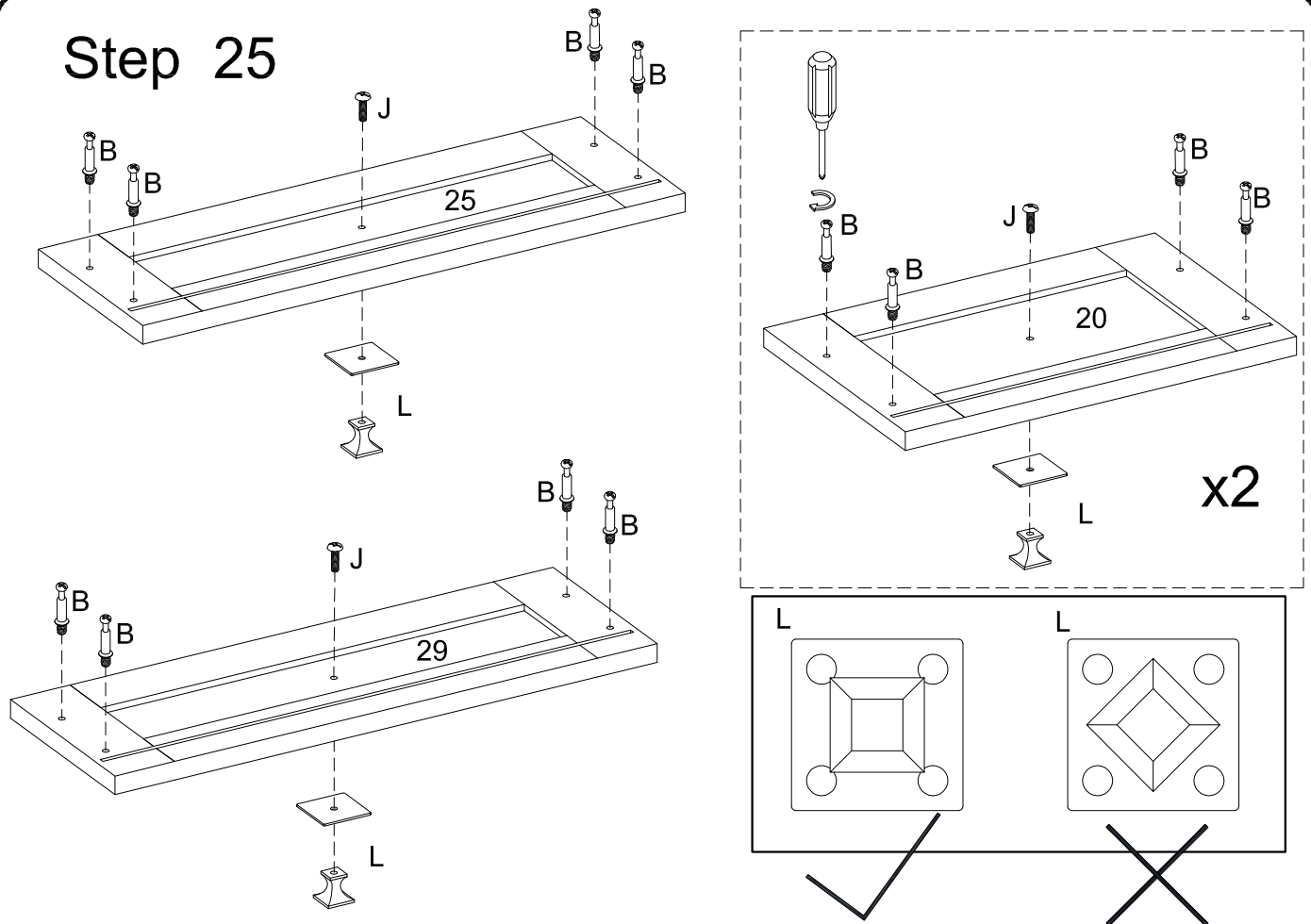
Step 23 x2



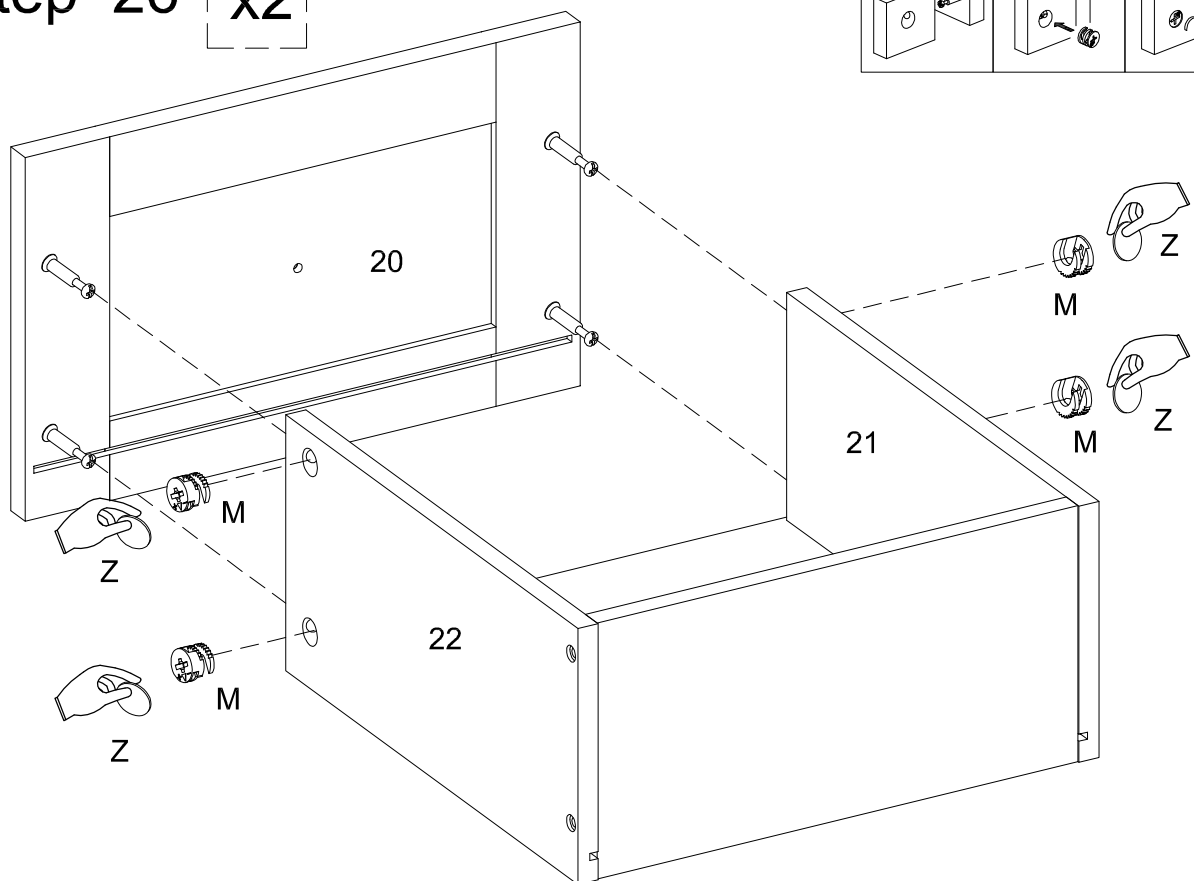
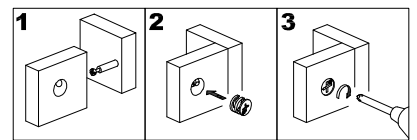
Step 24 x2



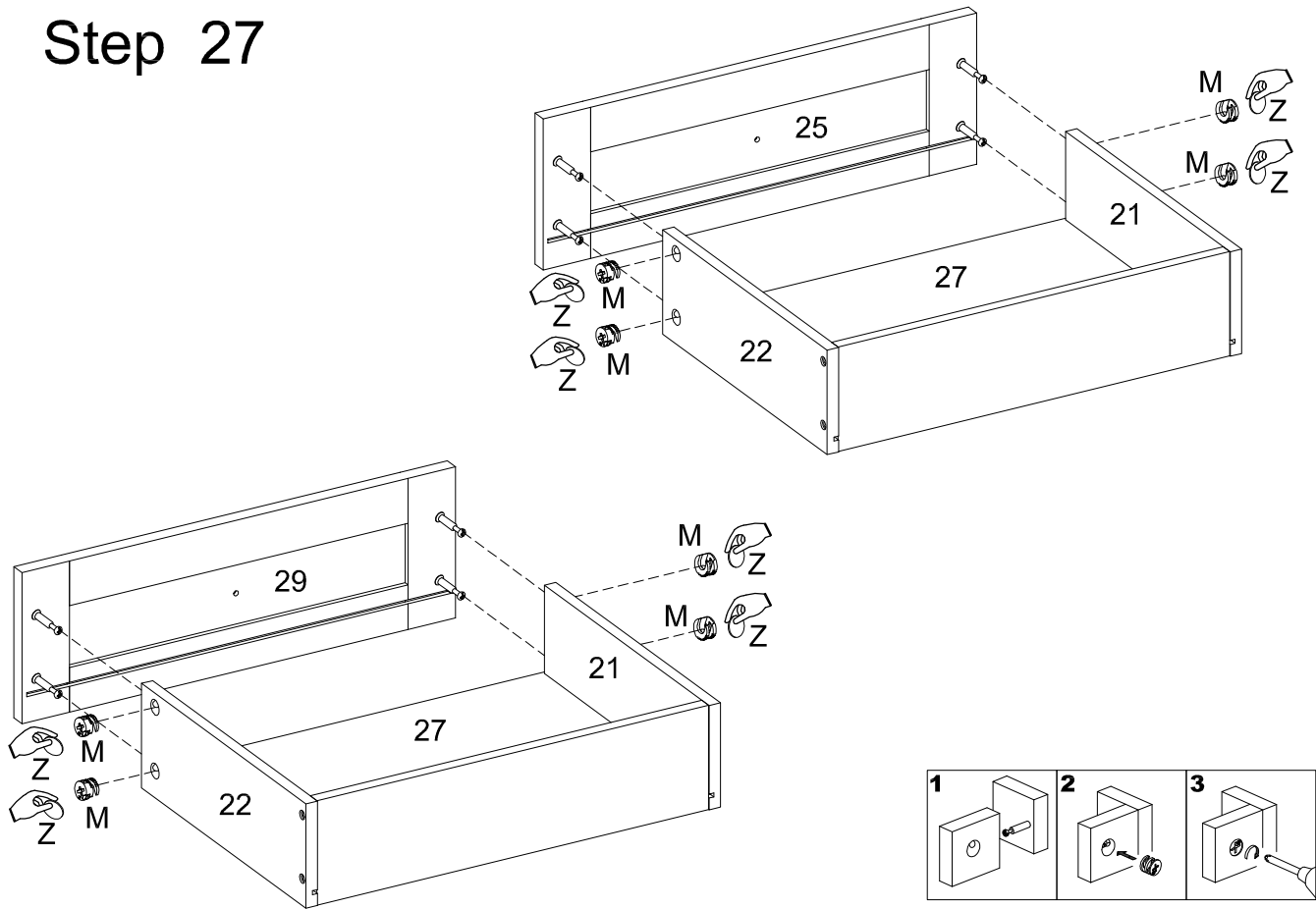
Step 25



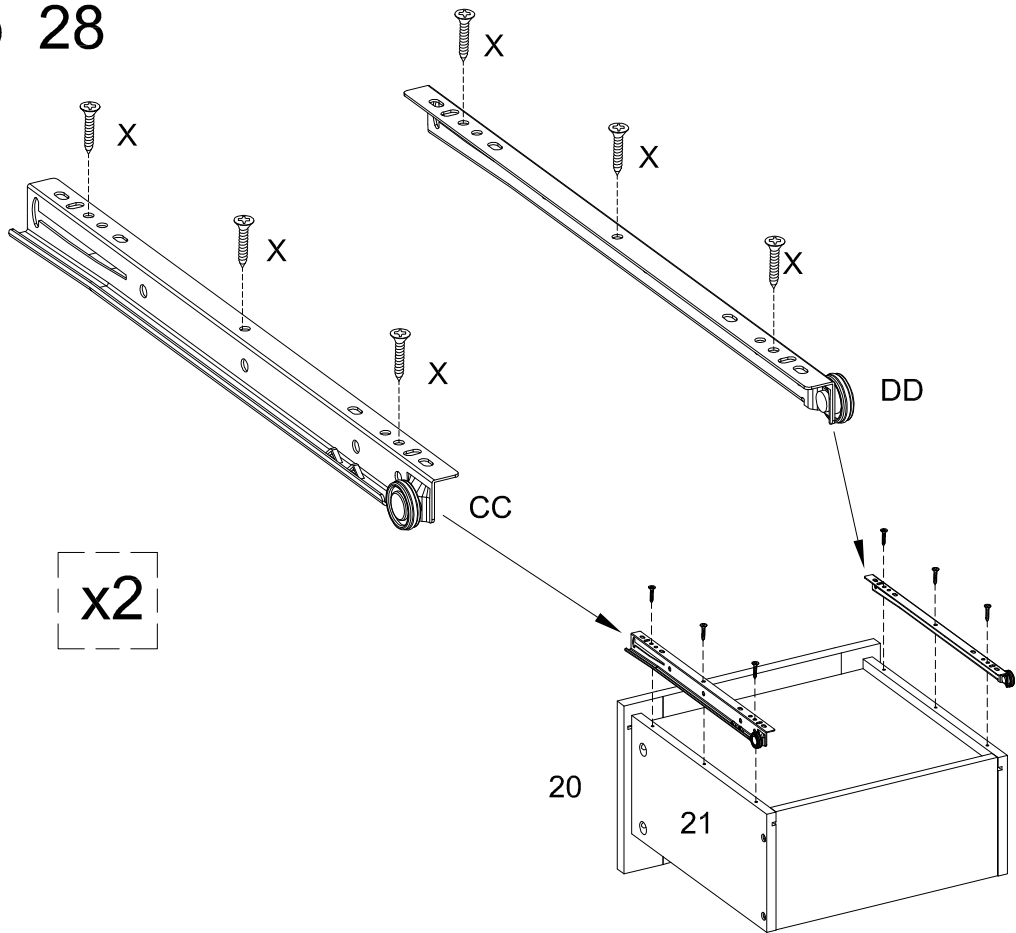
Step 26 x2



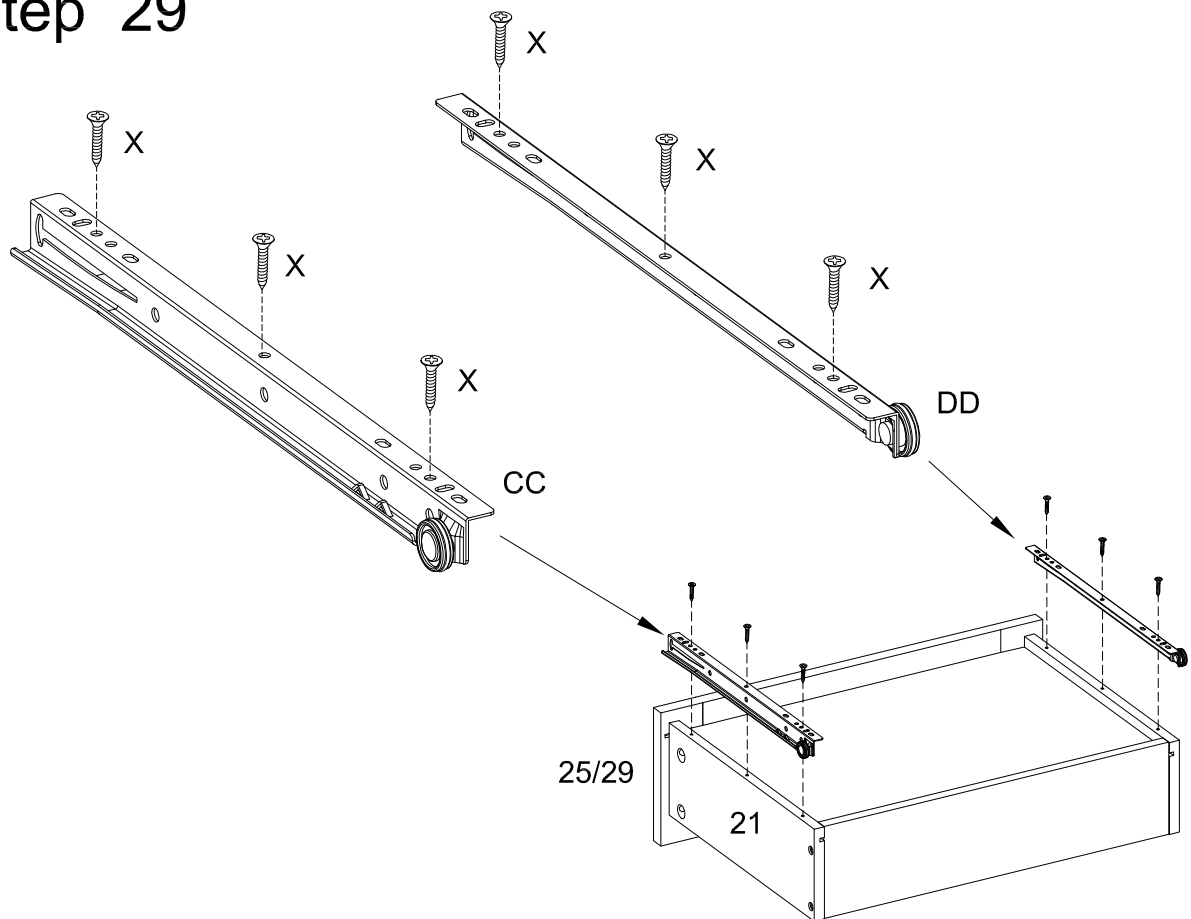
Step 27



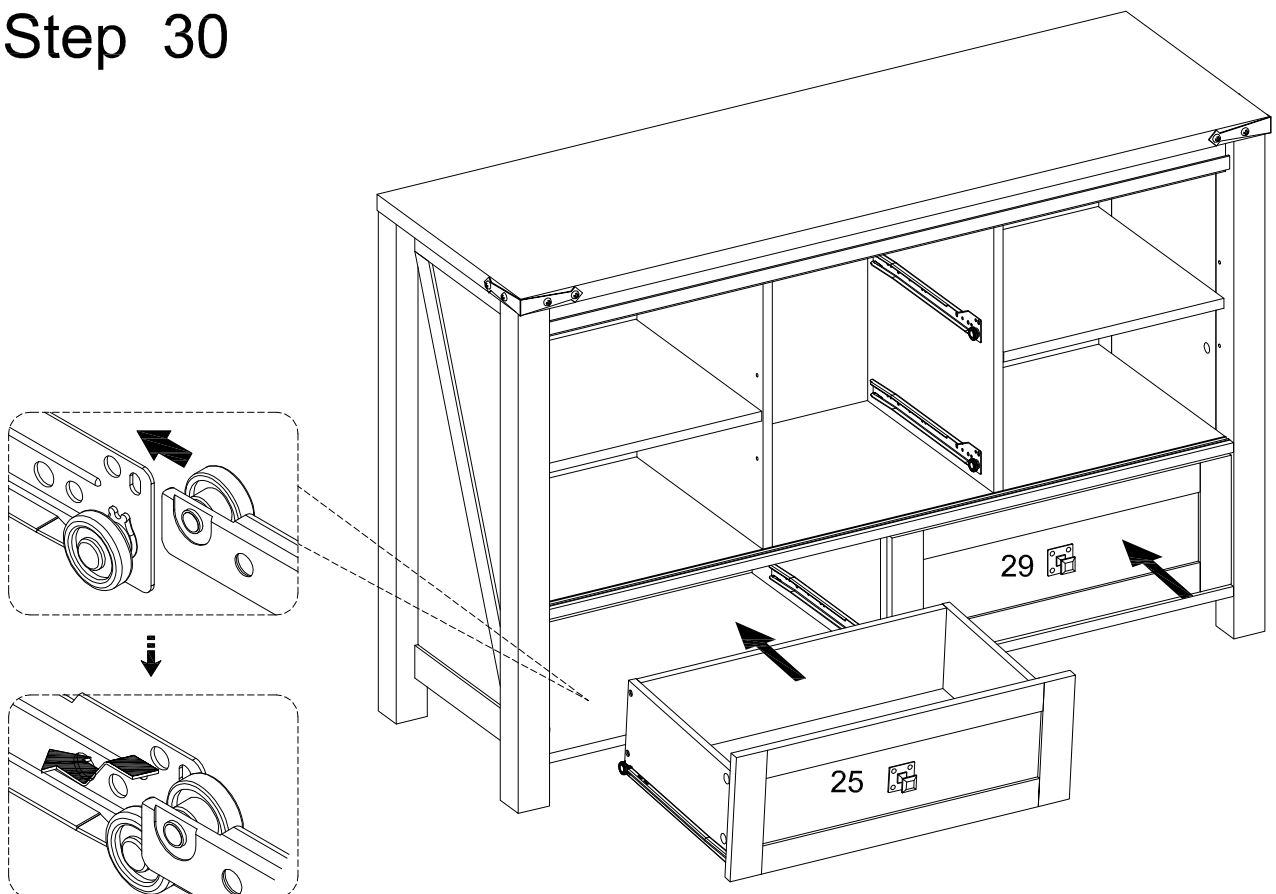
Step 28



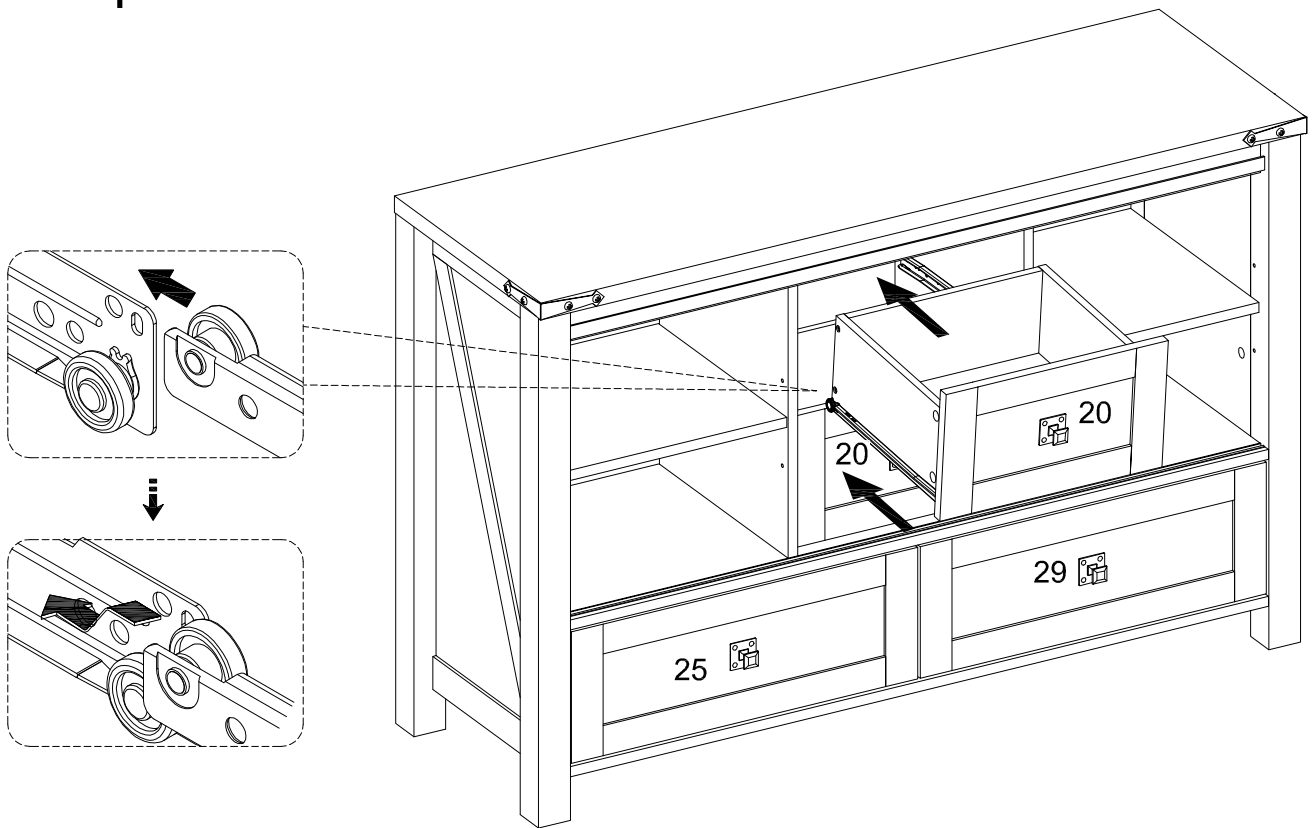
Step 29



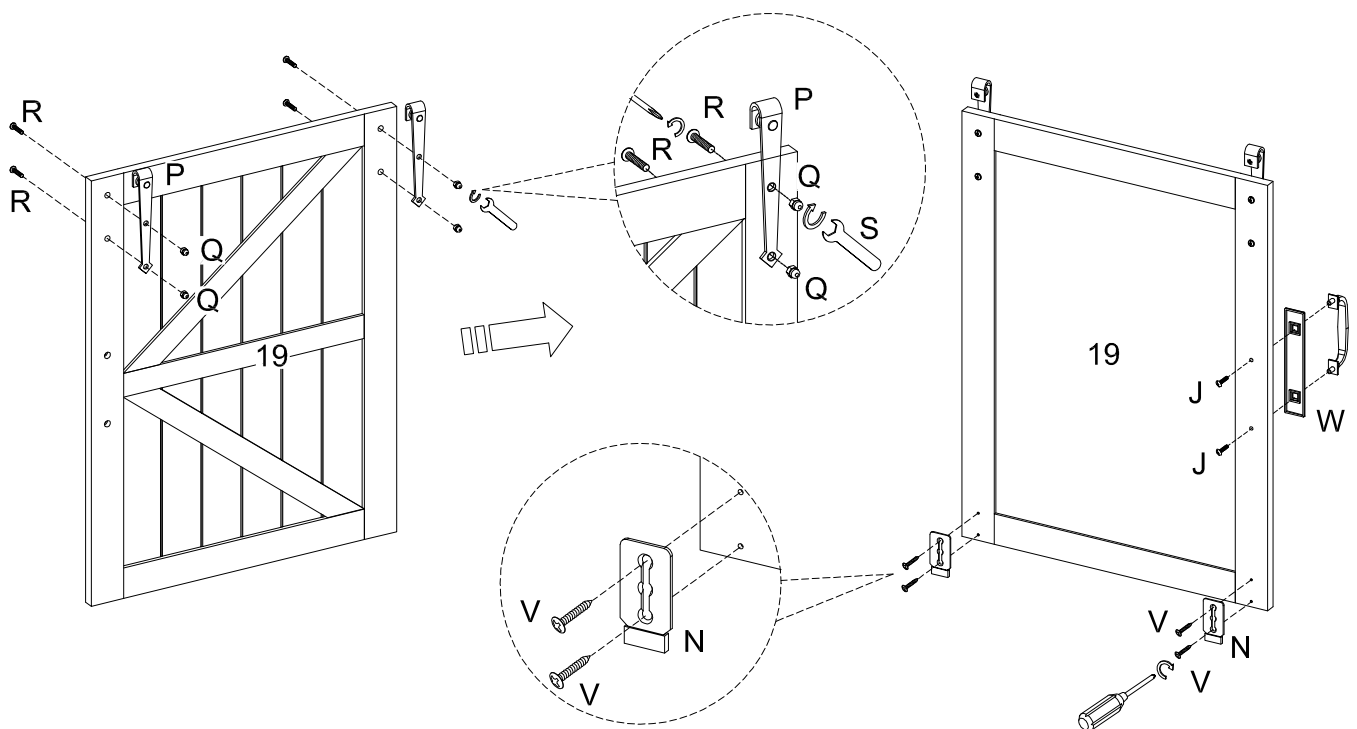
Step 30



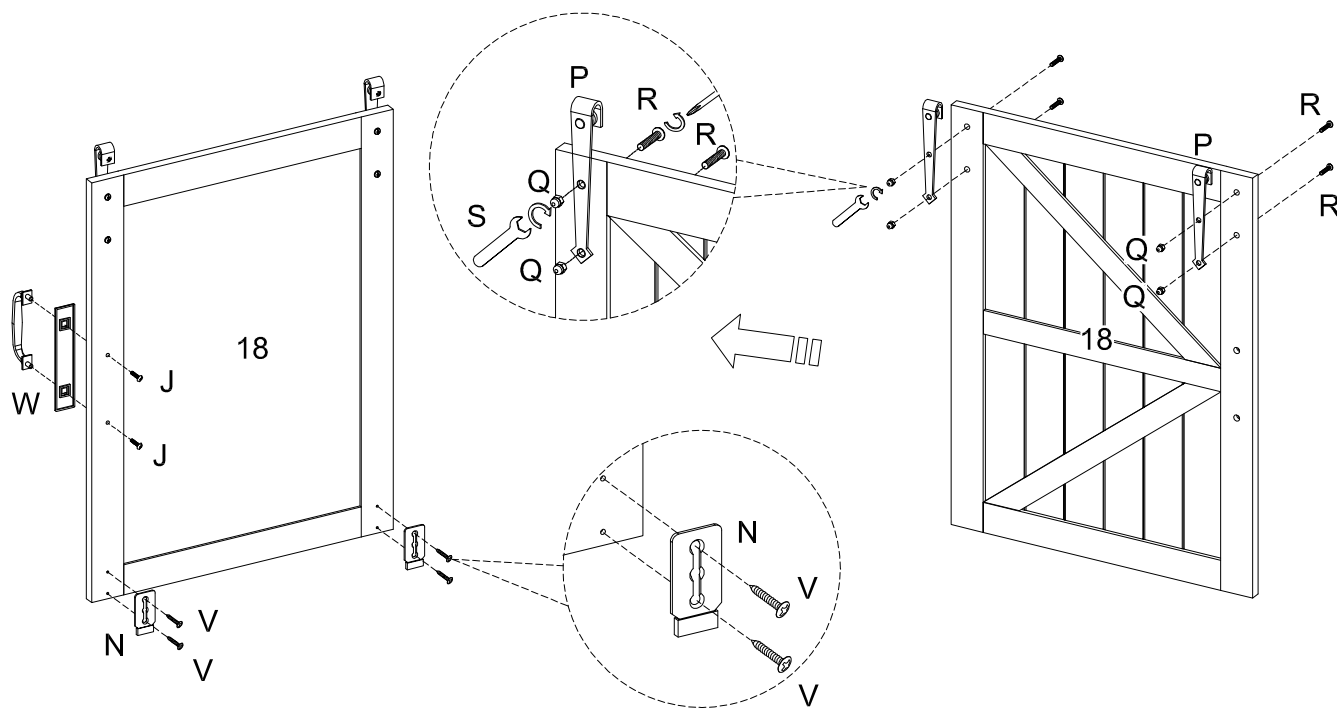
Step 31



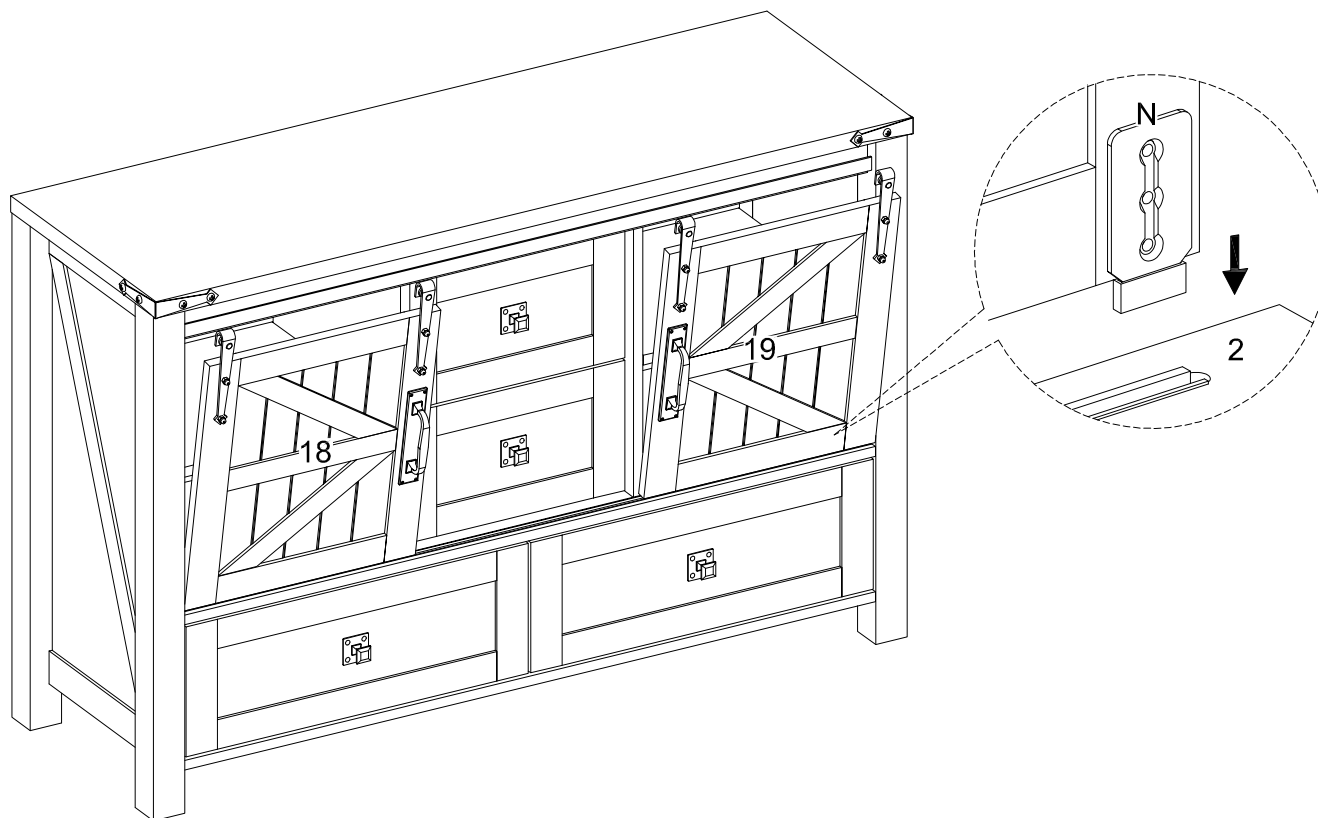
Step 32



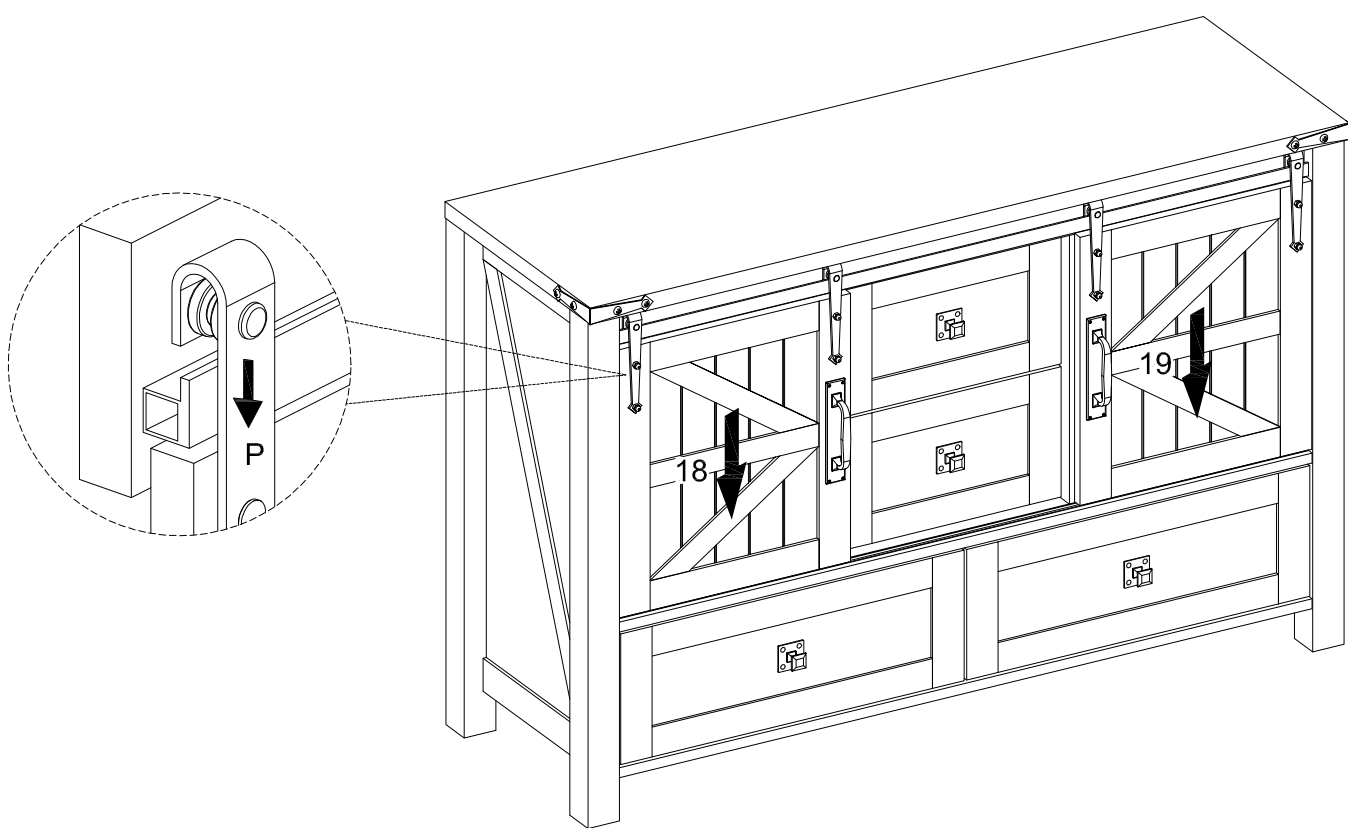
Step 33



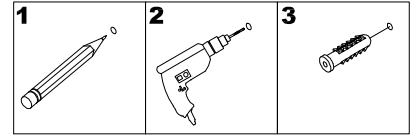
Step 34



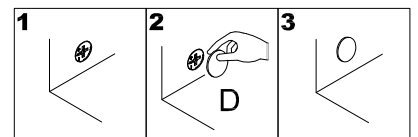
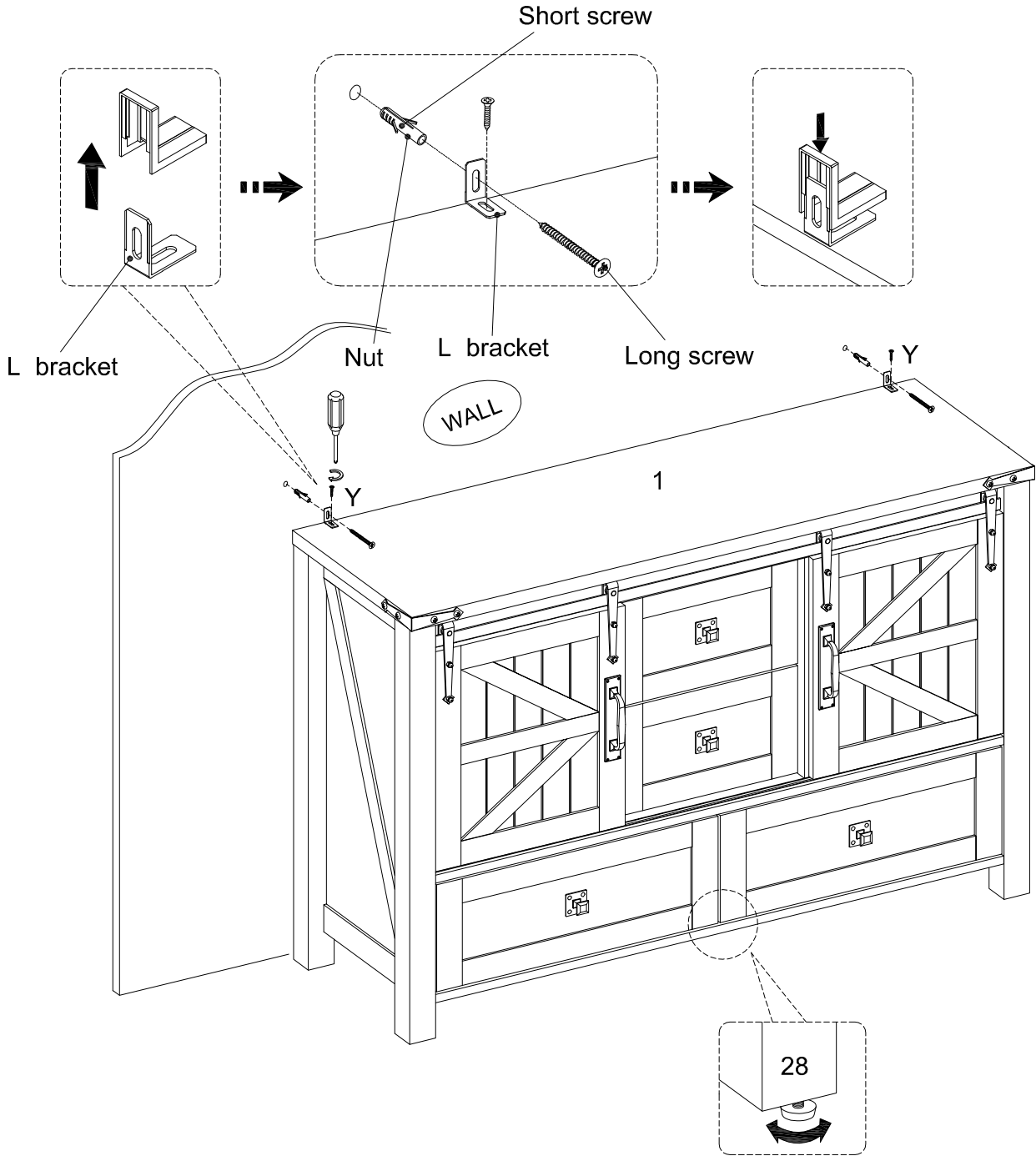
Step 35



Step 36



Serious or fatal injuries can occur from furniture tipping over. To prevent the furniture from tipping over we recommend that it is permanently fixed to the wall. Wall anchor and hardware are included with this product. Please make sure hardware is suitable for your walls before installing, as different wall materials may require different types of anchors.



Final Assembly