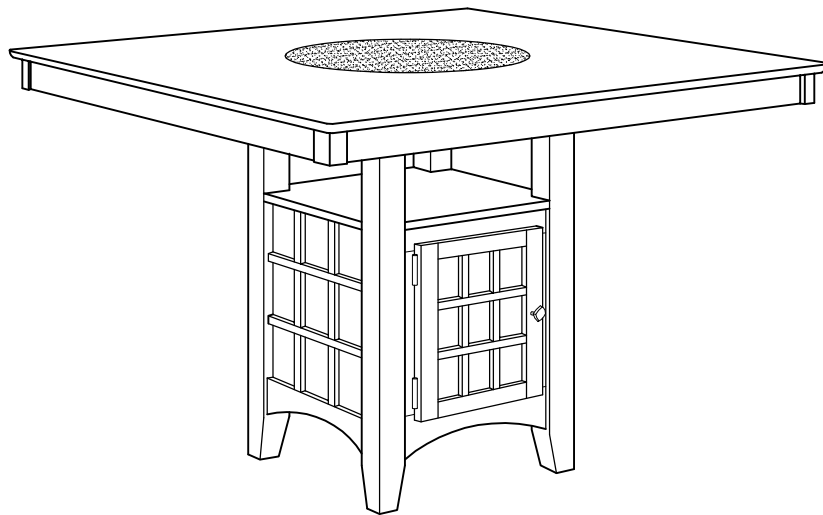


# *ASSEMBLY INSTRUCTIONS*



# ASSEMBLY INSTRUCTIONS

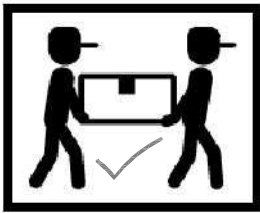
## ASSEMBLY TIPS :

1. Remove hardware from box and sort by size.
2. Please check to see that all hardware and parts are present prior to start of assembly.
3. Please follow attached instructions in the same sequence as numbered to assure fast & easy assembly.



### WARNING !


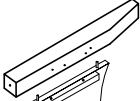
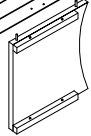
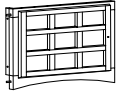

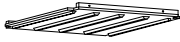

1. Don't attempt to repair or modify parts that are broken or defective. Please contact the store immediately.
2. This product is for home use only and not intended for commercial establishments.




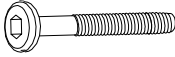




ASSEMBLY TIME

40 MINUTES

## PARTS IDENTIFICATION

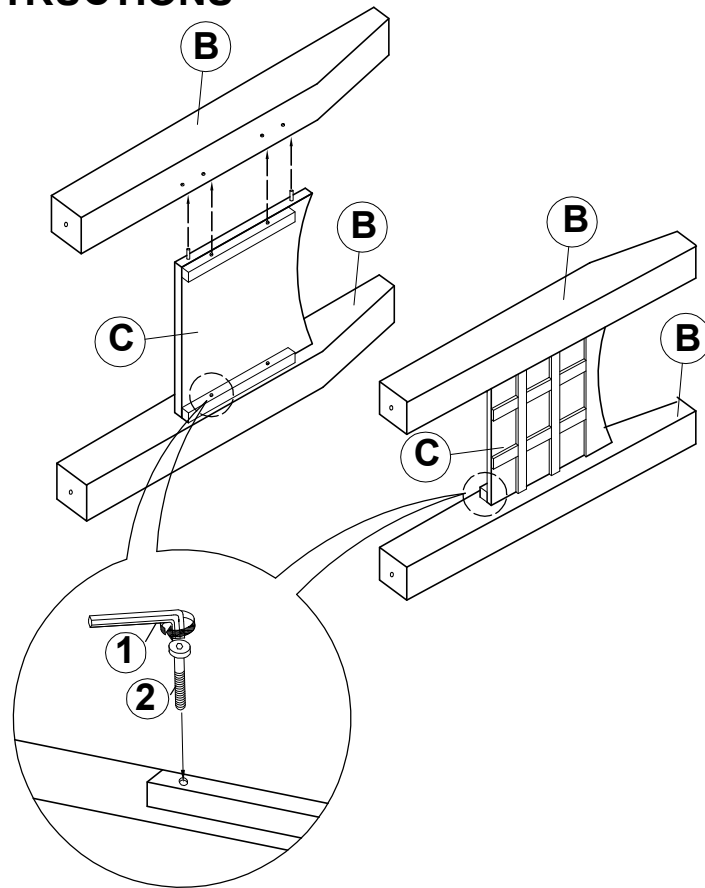
A	<b>TOP WITH MOUNTING PLATE</b>		1PC
B	<b>LEG</b>		4PCS
C	<b>SIDE PANEL</b>		2PCS
D	<b>DOOR PANEL</b>		2PCS
E	<b>TOP PANEL</b>		1PC
F	<b>BOTTOM PANEL</b>		1PC
G	<b>LAZY SUSAN</b>		1PC

## HARDWARE IDENTIFICATION

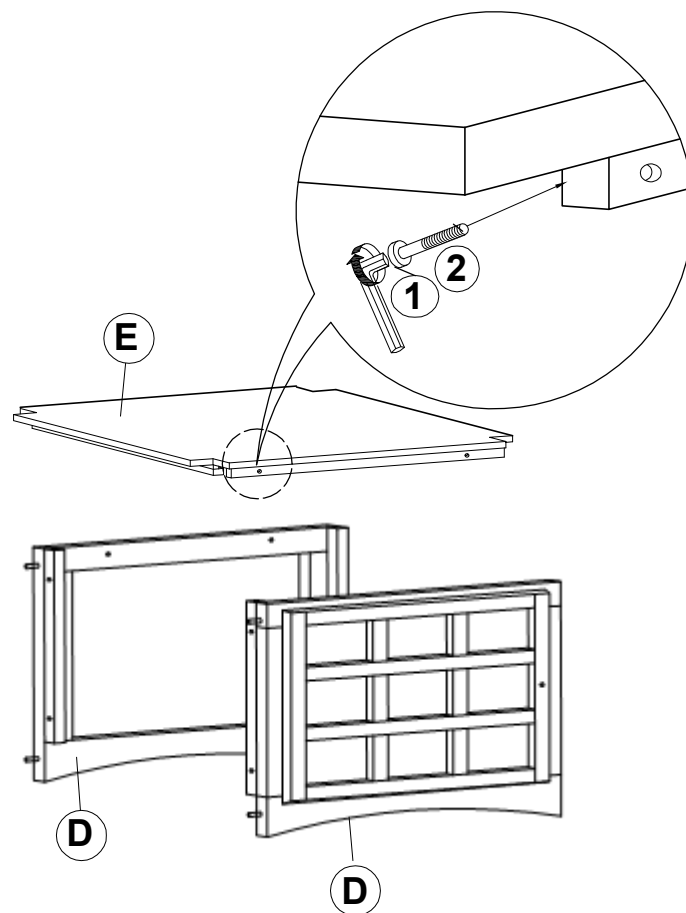
1	<b>ALLEN WRENCH</b> (M4 x 110MM - BLK)		1PC
2	<b>BOLT</b> (M6 x 30MM - RBW)		24PCS
3	<b>HEX HEAD SCREW</b> (M7 x 40MM - RBW)		4PCS
4	<b>KNOB WITH SCREW</b>		2SETS
5	<b>RUBBER DISC</b> (356.21420)		6PCS
6	<b>FLAT WASHER</b> (5/16" - RBW)		4PCS

# ASSEMBLY INSTRUCTIONS

## STEP 1

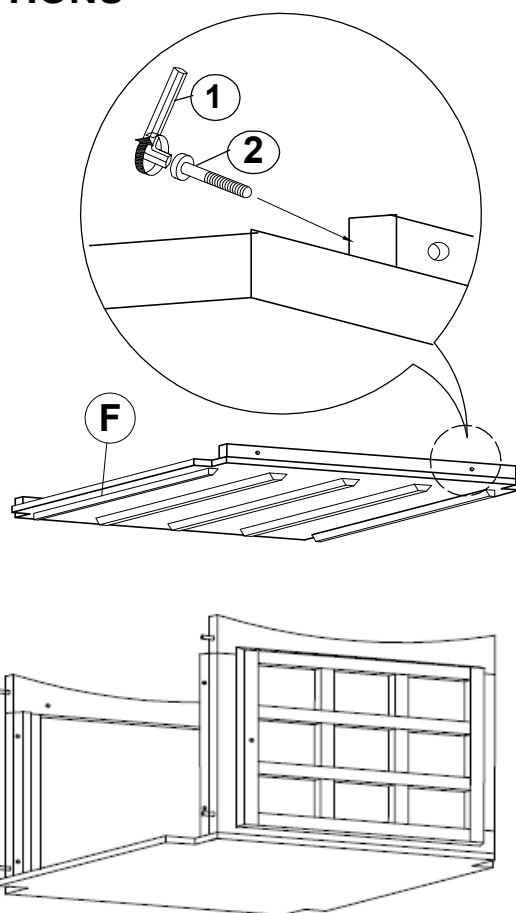


## STEP 2

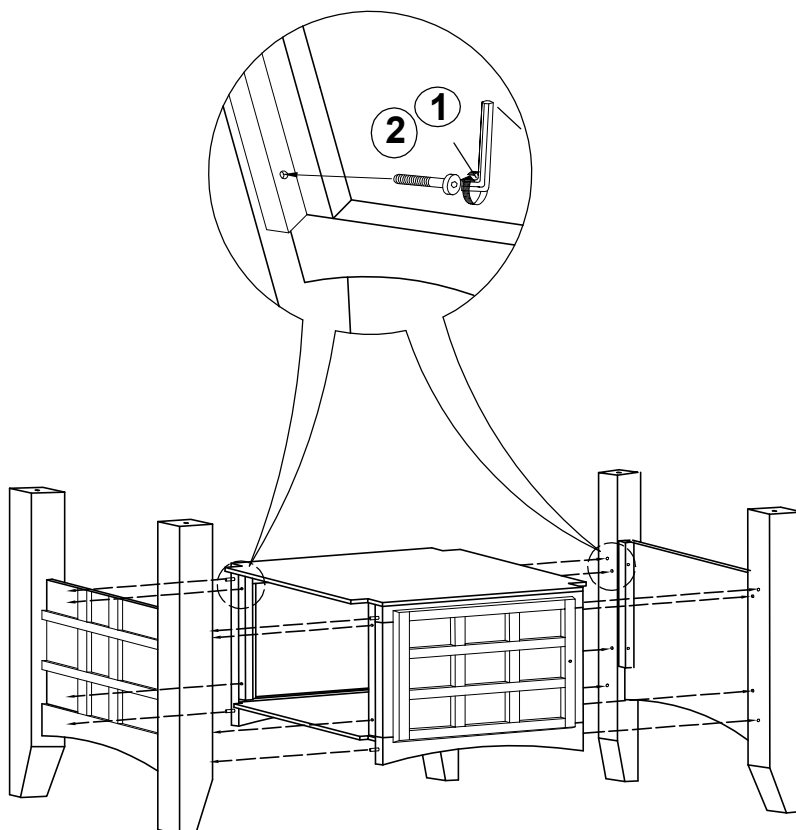


## ASSEMBLY INSTRUCTIONS

### STEP 3



### STEP 4



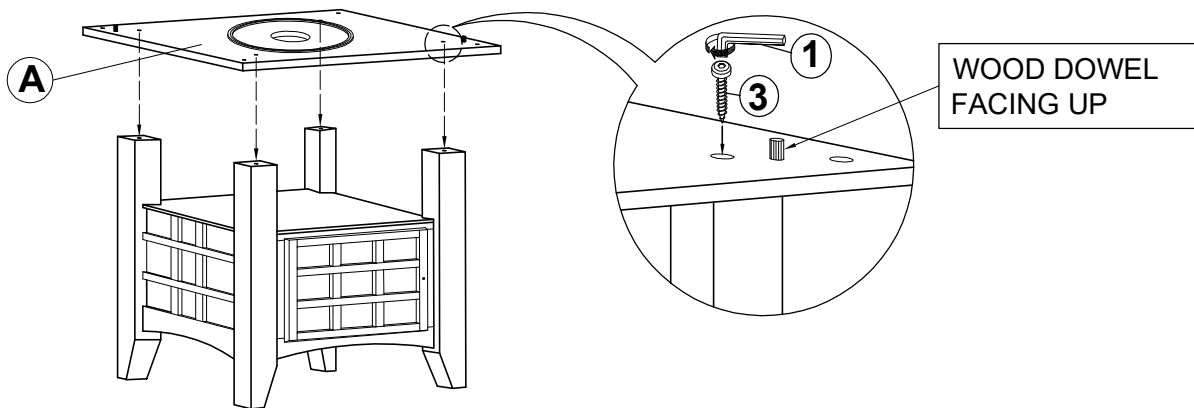
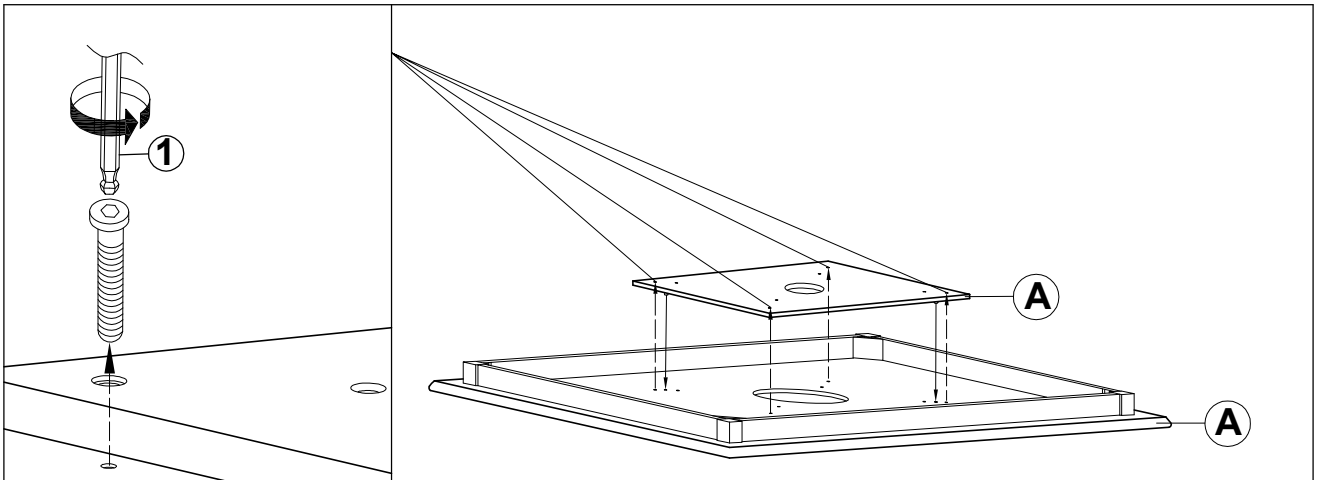
# ASSEMBLY INSTRUCTIONS

## STEP 5

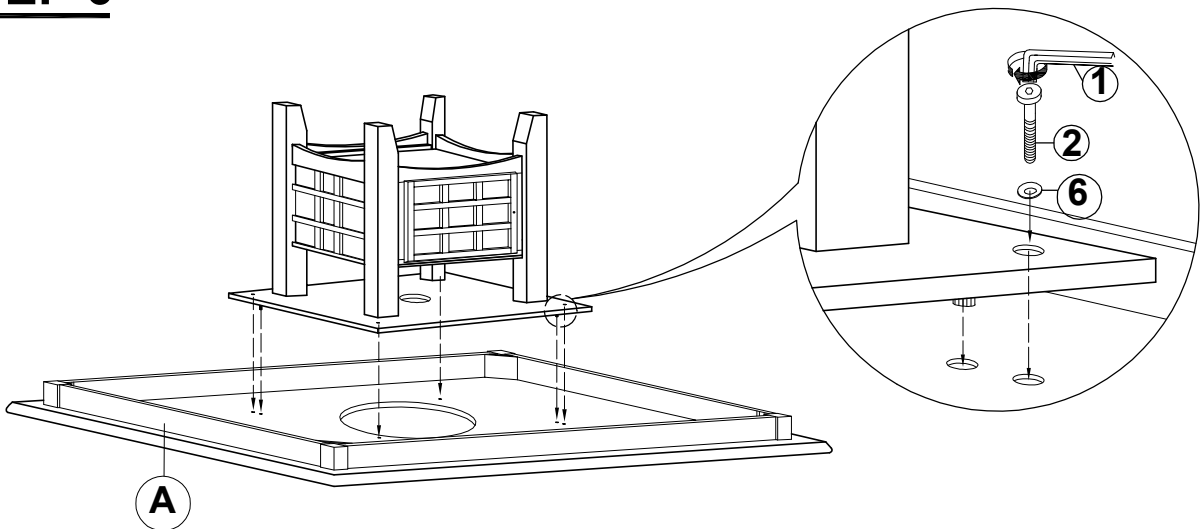
Attention:

Unscrew bolt with Allen wrench to detach the mounting plate from table top. Align and fasten mounting plate to legs using Allen cap screw and tighten with Allen wrench.

(Please ensure the wood dowel on the mounting plate is facing up).

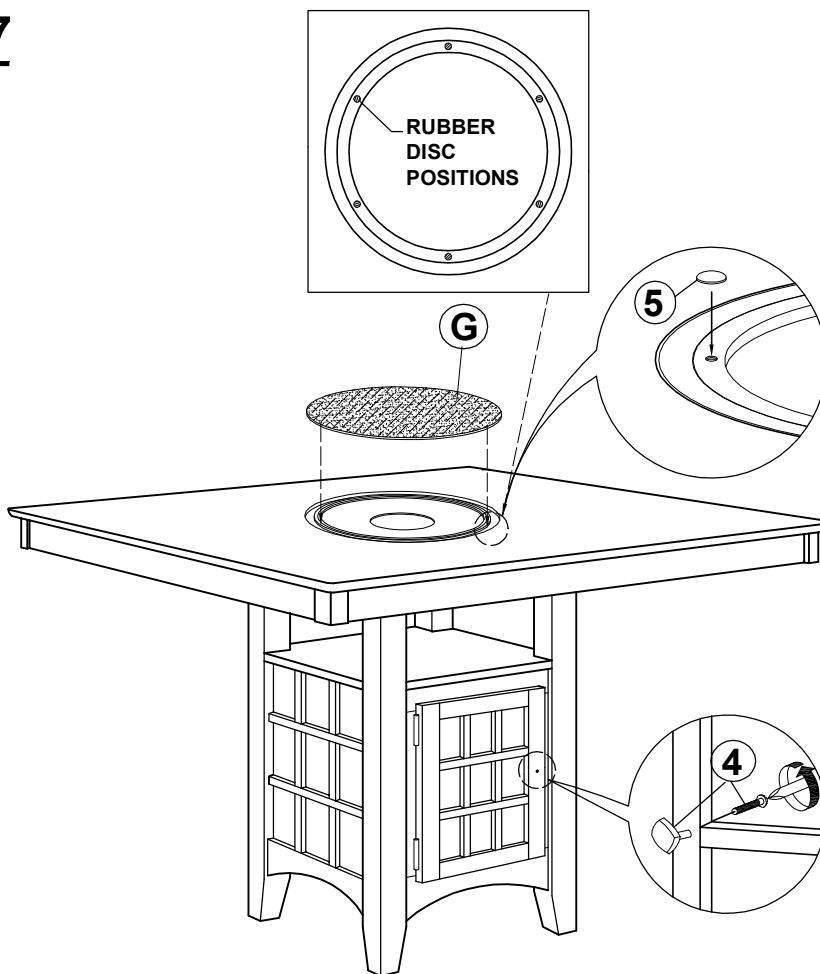


## STEP 6



# ASSEMBLY INSTRUCTIONS

## STEP 7



## STEP 8 COMPLETE

