

# BED FRAME

## FULL

### ASSEMBLY INSTRUCTIONS




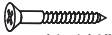


Before assembling your bed frame, please read through these instructions carefully and familiarize yourself with the different parts.



#### PARTS LIST

- ① **SIDE RAILS**            **2 PCS**
- ② **SLAT KIT**            **2 SET**
- ③ **SUPPORT RAIL**       **2 PCS**
- ④ **SUPPORT LEGS**       **4 PCS**

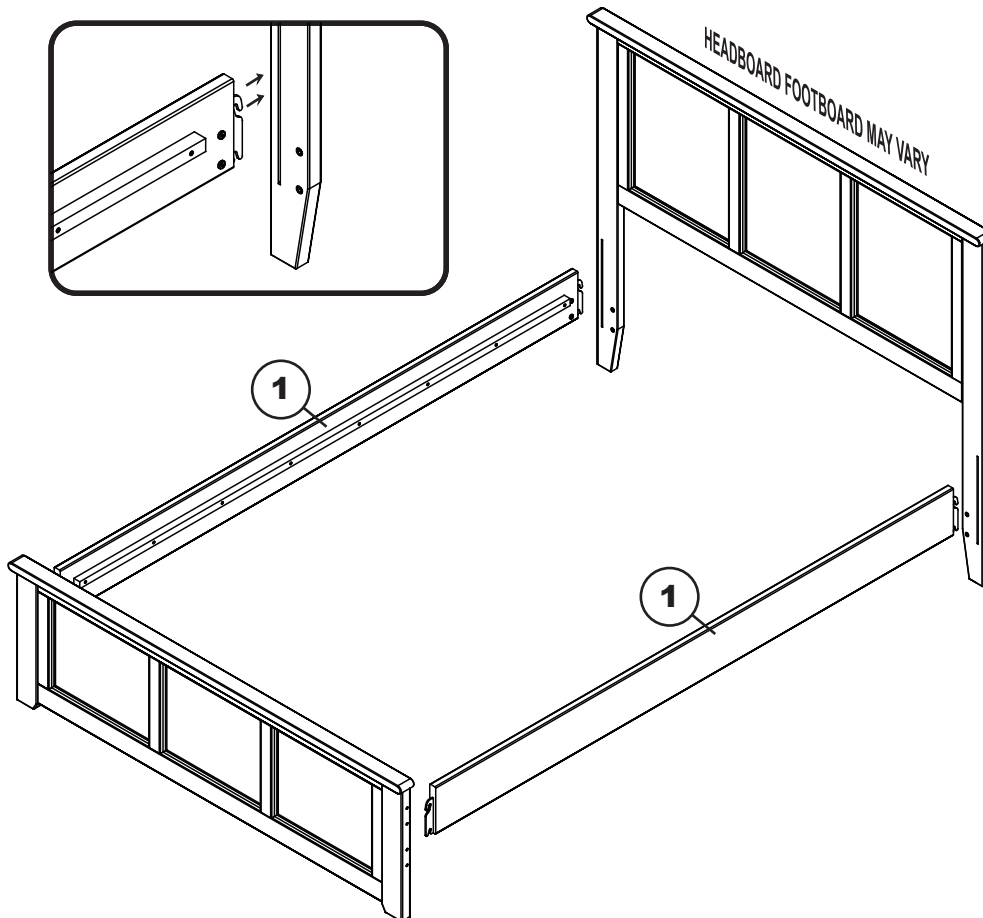
#### HARDWARE

- Ⓐ  JCB M6 X 30mm ( 1 1/8" ) - 6 pcs  
Spare - 1 pc
- Ⓑ  Cap Nut - 6 pcs
- Ⓒ  JCB M8 X 40mm ( 1 5/8" ) - 4 pcs  
Spare - 1 pc
- Ⓓ  Wood screw (1 1/4" ) - 12 pcs  
Spare - 1 pc
- Ⓔ  Allen wrench M4 - 1pc  
Spare - 1pc
- Ⓕ  Allen wrench M6 - 1pc

NOTE: WE INCLUDE SPARE HARDWARE IN CASE DAMAGE OCCURS DURING ASSEMBLY.

### Step 1

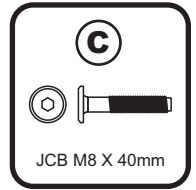
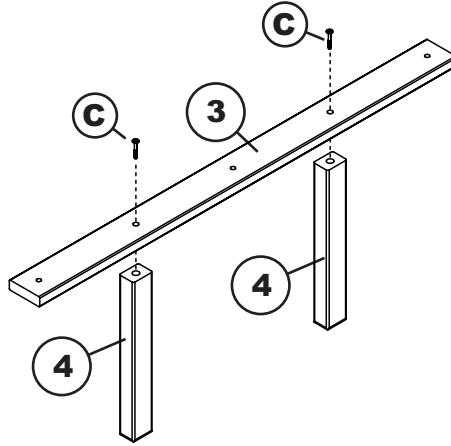
Attach side rails (1) to the headboard and footboard. For assembly, follow the assembly instructions included with your headboard and footboard.



# FULL

## Step 3

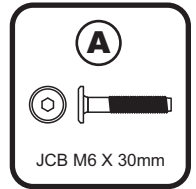
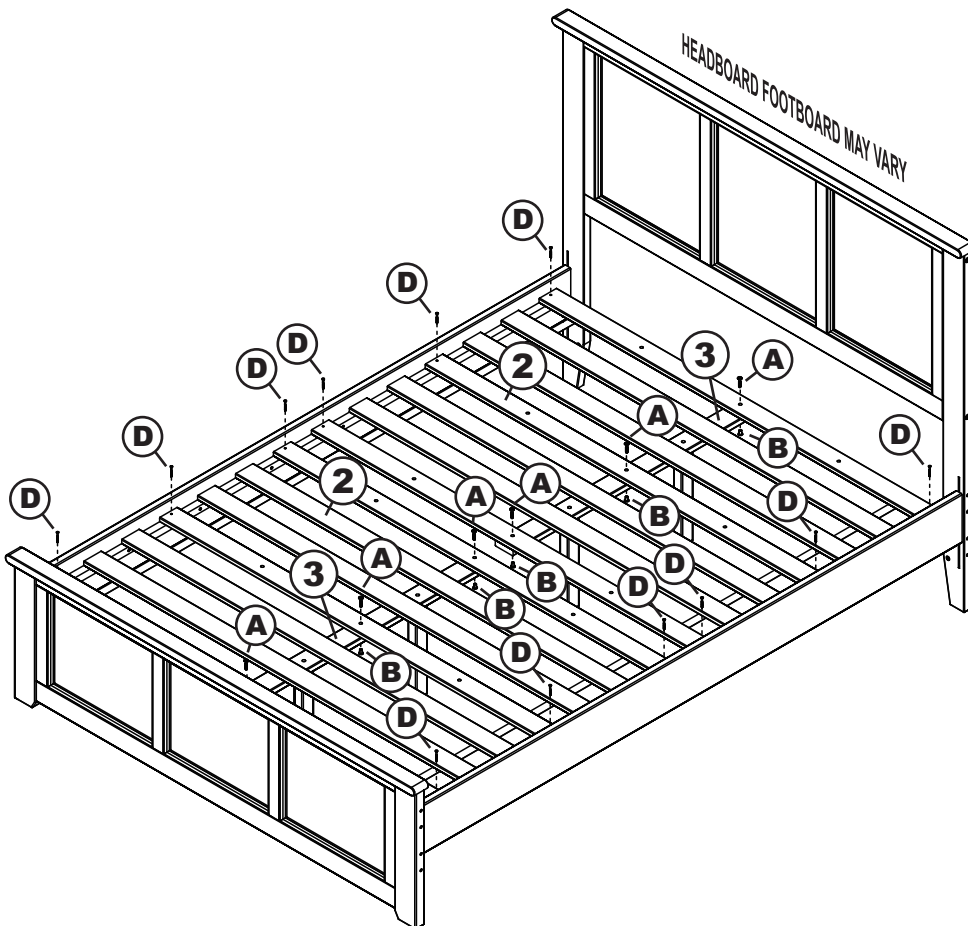
Attach support legs (4) to support rail (3) as shown below. Using JCB M8 (C) tighten with Allen wrench M6 (F). Repeat the other.



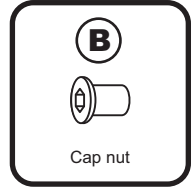
JCB M8 X 40mm

## Step 4

Attach support rail (3) to the slat kit (2) as shown below. Using JCB M6 X 30mm (A) and cap nut (B). Tighten with Allen wrench M4 (E). Using wood screw (D) tighten with Phillips head screwdriver. (Customer supplied)



JCB M6 X 30mm



Cap nut



Wood screw 1 1/4"

### Congratulations!

Your bed is now ready for use.

We recommend that you periodically recheck that all screws are tight to ensure lasting safety.

# BED WITH MATCHING FOOTBOARD

## ASSEMBLY INSTRUCTIONS

Before assembling your bed, please read through these instructions carefully and familiarize yourself with the different parts.

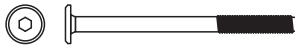



### PARTS LIST

- 1 HEADBOARD PANEL 1 PC
- 2 LEFT LEG 1 PC
- 3 RIGHT LEG 1 PC
- 4 PACKING STICK 2 PCS
- 5 WOOD DOWELS 4 PCS  
(Factory Installed)
- 6 FOOTBOARD 1 PC

Instructions apply for bed sizes  
TWIN > FULL

### HARDWARE

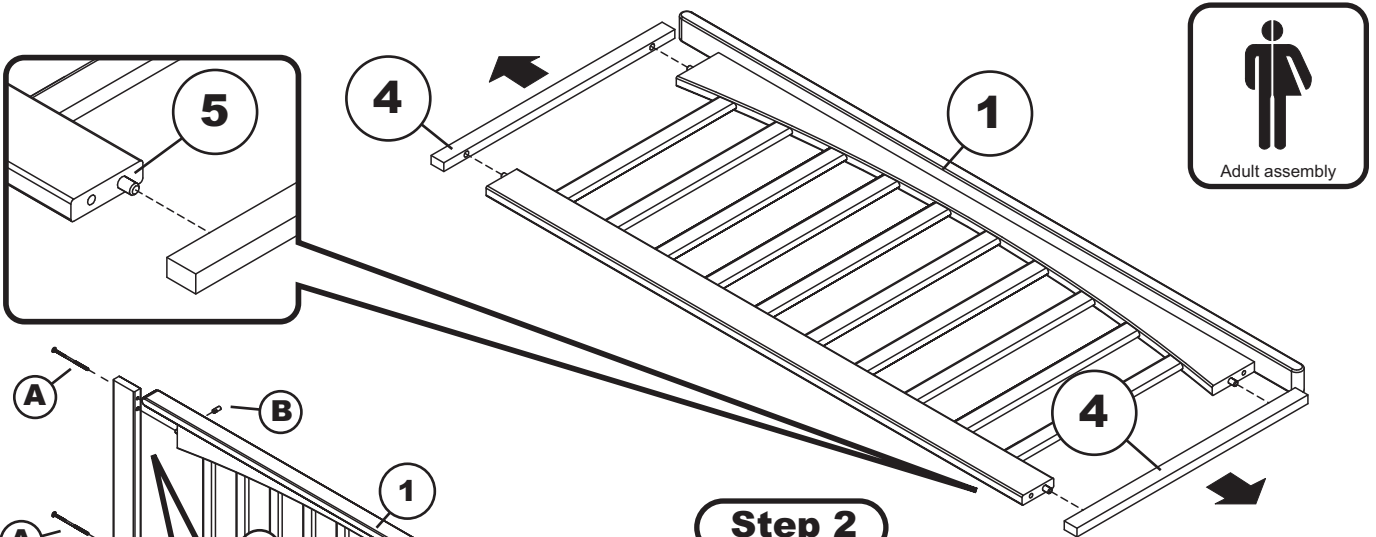
-  **A** JCB M6 X 110mm (4 3/8") - 4 pcs  
Spare - 1 pc
-  **B** Barrel nut - 4 pcs  
Spare - 1 pc

-  **C** Allen wrench - 1pc  
Spare - 1pc

NOTE: WE INCLUDE SPARE HARDWARE IN CASE DAMAGE OCCURS DURING ASSEMBLY.

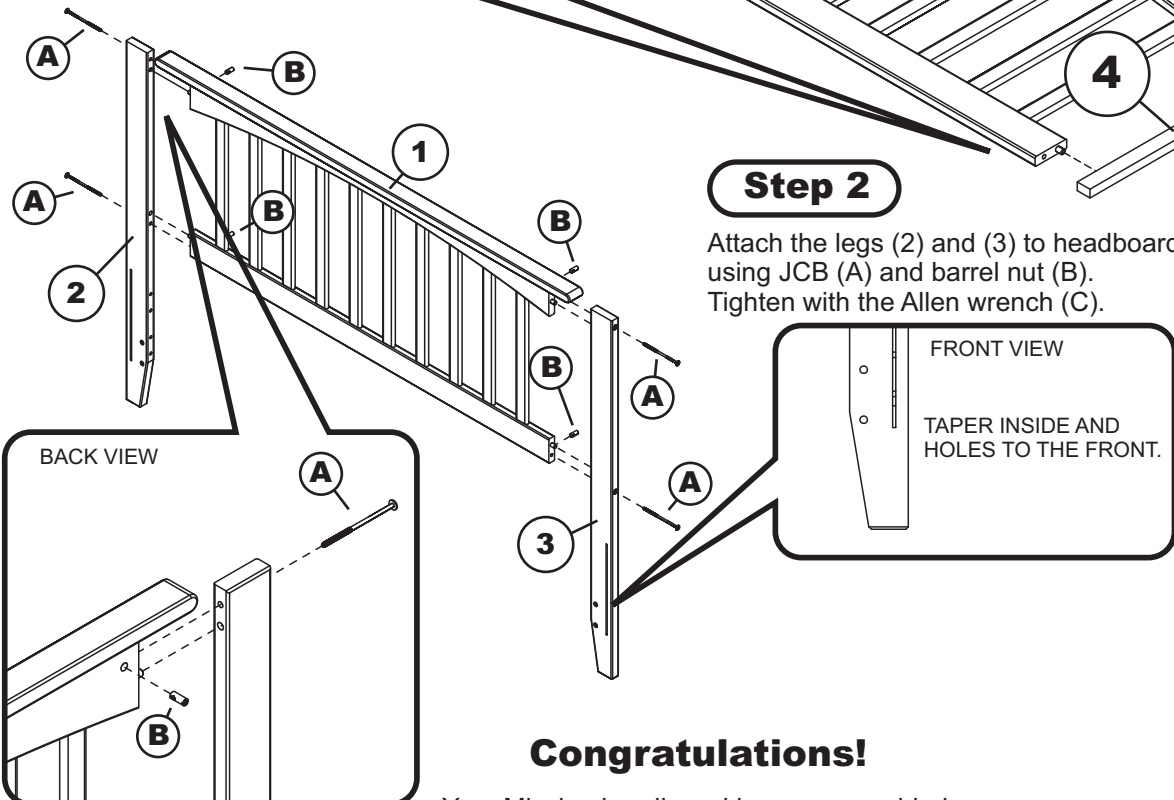
### Step 1

Remove packing stick (4) from headboard panel (1) as shown below and **DISCARD**.



### Step 2

Attach the legs (2) and (3) to headboard panel (1), using JCB (A) and barrel nut (B). Tighten with the Allen wrench (C).



## Congratulations!

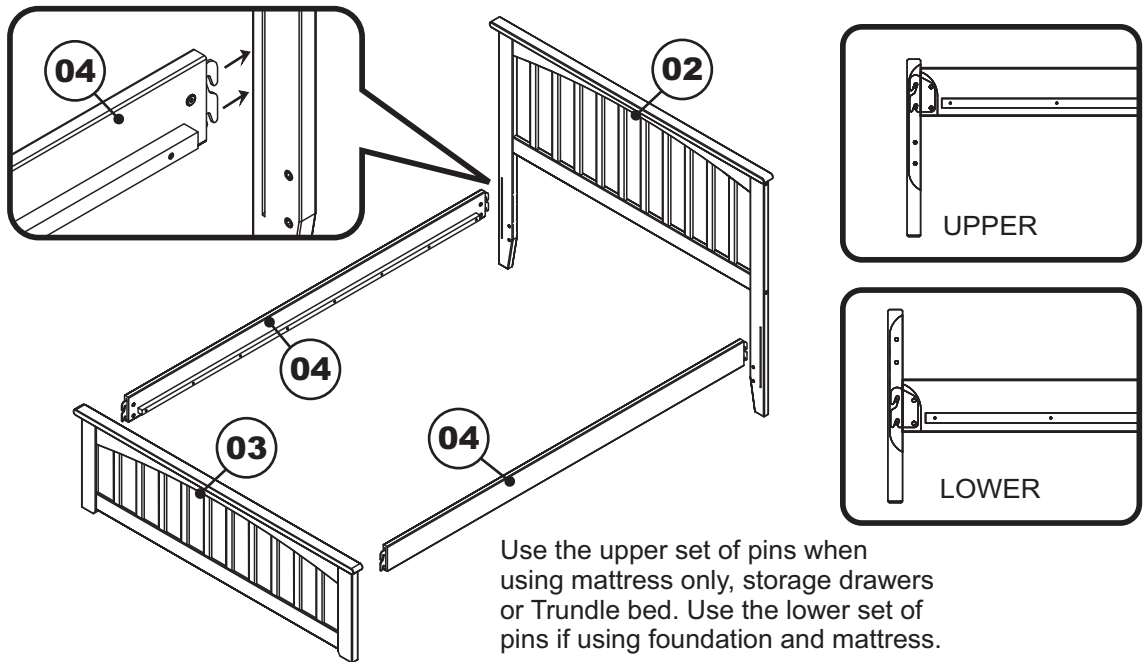
Your Mission headboard is now assembled.

To ensure lasting safety, we recommend that you periodically check that all screws are tight and all parts are secure.

- 01 **HARDWARE**
  - 02 **HEADBOARD**
  - 03 **FOOTBOARD**
  - 04 **SIDE RAILS**
- BOX 1
- BOX 2



**Step 1** Attach the side rails (04) to the headboard (02) and footboard (03) using the bed hook as shown below.



**Step 2** Lastly, lay slat kit or foundation support board onto the bed. For assembly, follow the assembly instructions included with support system.

PLATFORM BED - TALL HEIGHT

TRADITIONAL BED - LOW HEIGHT

