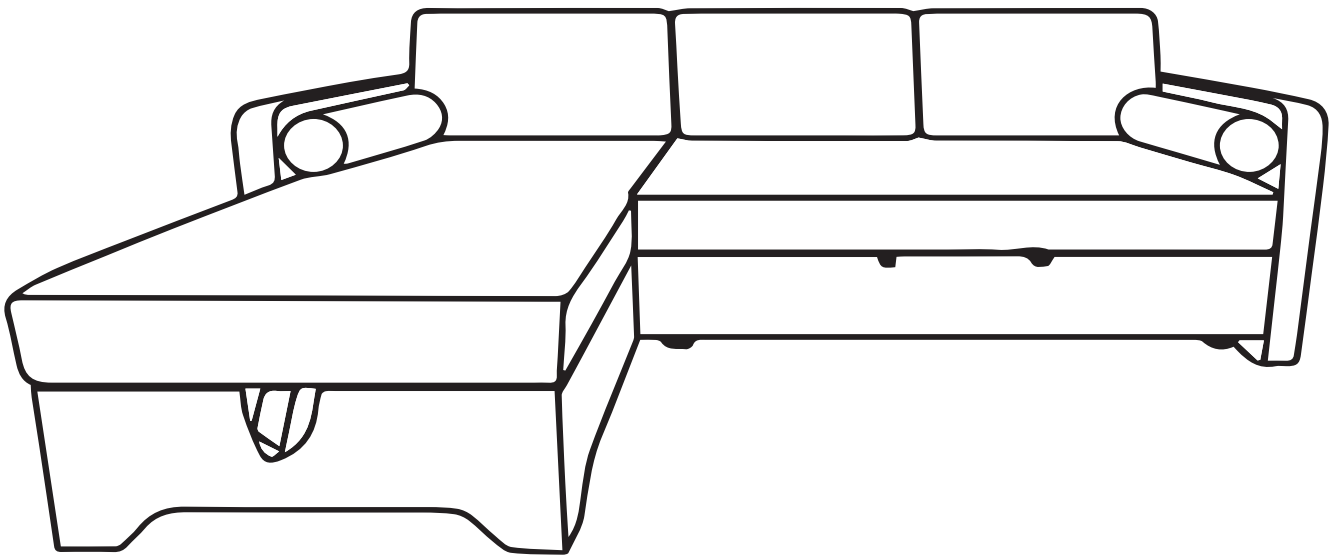


# ASSEMBLY INSTRUCTIONS

SOFA BED



TIME



2 OF PEOPLE



DIFFICULTY

## NOTICE

### Instruction Booklet - Important Safety Information

Thank you for choosing our product. Please review this booklet carefully for essential safety information and keep it for future reference.

- Upon receiving the product, ***ensure all parts are present and intact*** before proceeding with installation. Follow the entire installation instructions provided.
- During installation, exercise caution and refrain from immediately tightening screws. Secure all screws to 80% before final tightening.

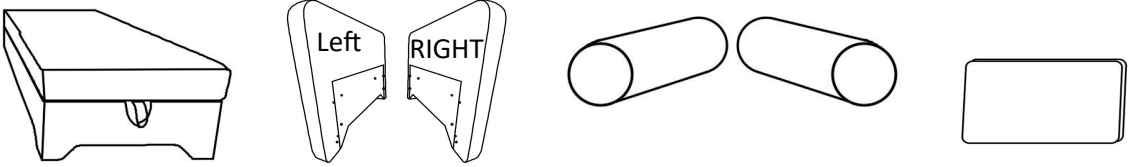
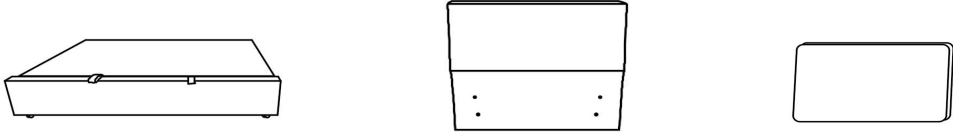
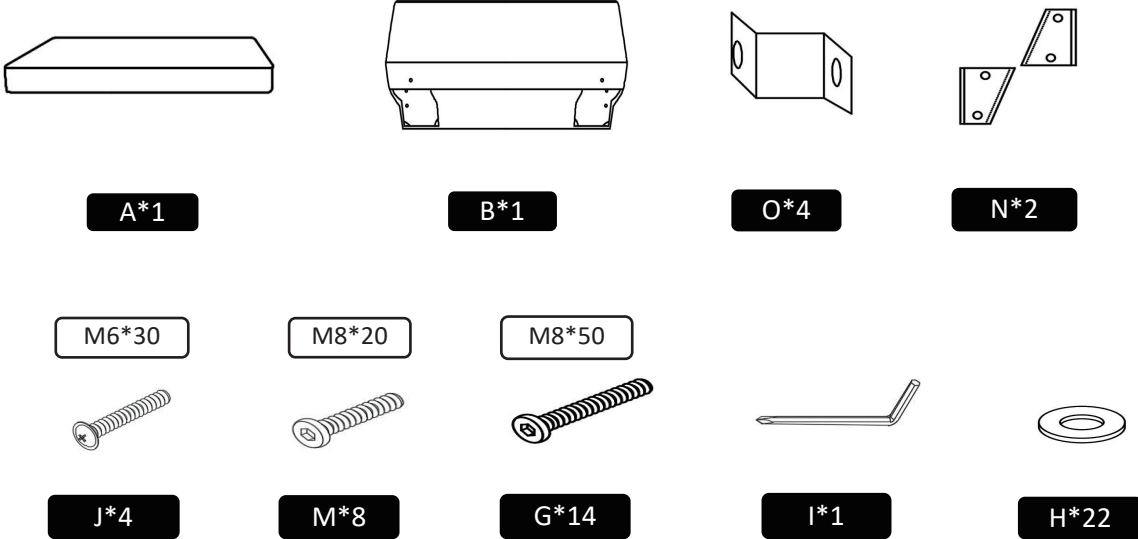
Returns are accepted only for items in their ***original, unopened condition***.



**Before installation, please check that the parts are all included !**

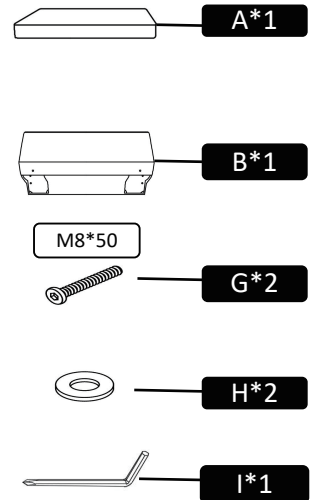
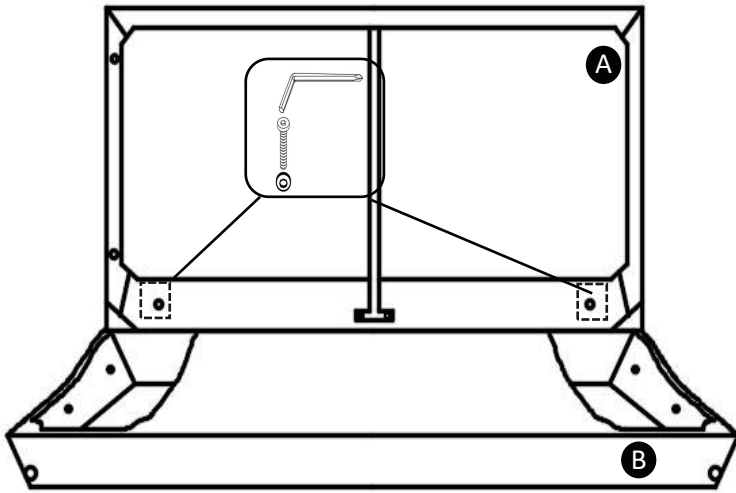
# Carton

Materials ▾

<p><b>BOX A</b></p>	 <p><b>E*1</b>      <b>C*2</b>      <b>F*2</b>      <b>K*1</b></p>
<p><b>BOX B</b></p>	 <p><b>L*1</b>      <b>D*1</b>      <b>K*2</b></p>
<p><b>BOX C</b></p>	 <p><b>A*1</b>      <b>B*1</b>      <b>O*4</b>      <b>N*2</b></p> <p><b>M6*30</b>      <b>M8*20</b>      <b>M8*50</b></p> <p><b>J*4</b>      <b>M*8</b>      <b>G*14</b>      <b>I*1</b>      <b>H*22</b></p>

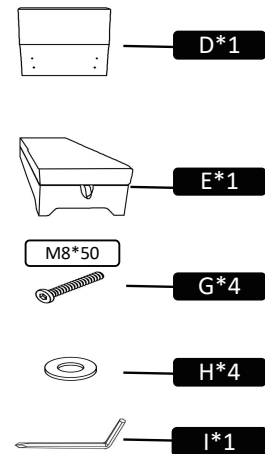
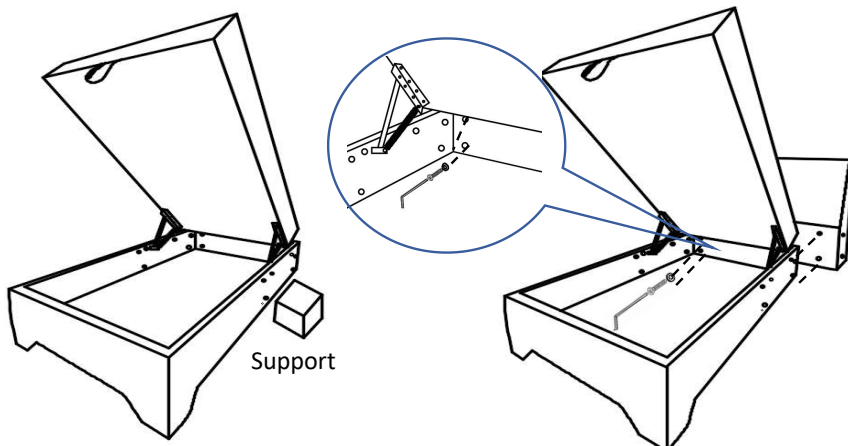
# Installation Steps

Materials ▶



Bolt the double backrest and seat plate

**STEP1**

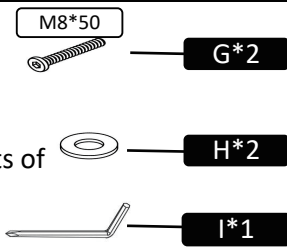
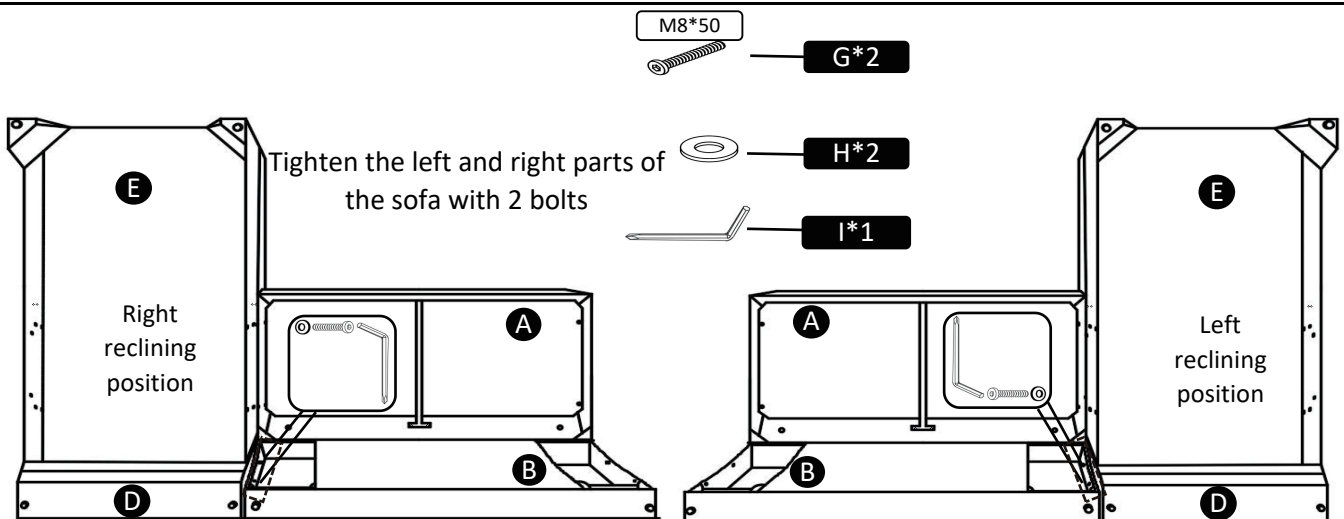


Use supports to make it easier to install them in parallel

Tighten 4 bolts in turn

tips: This step is recommended for two people to install

**STEP2**



Tighten the left and right parts of the sofa with 2 bolts

Right reclining position

Left reclining position

**1**

**2**

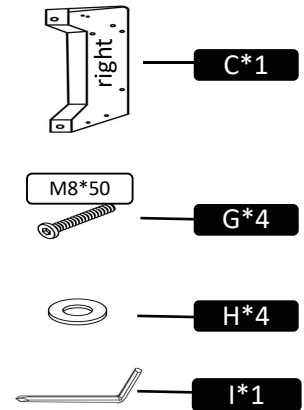
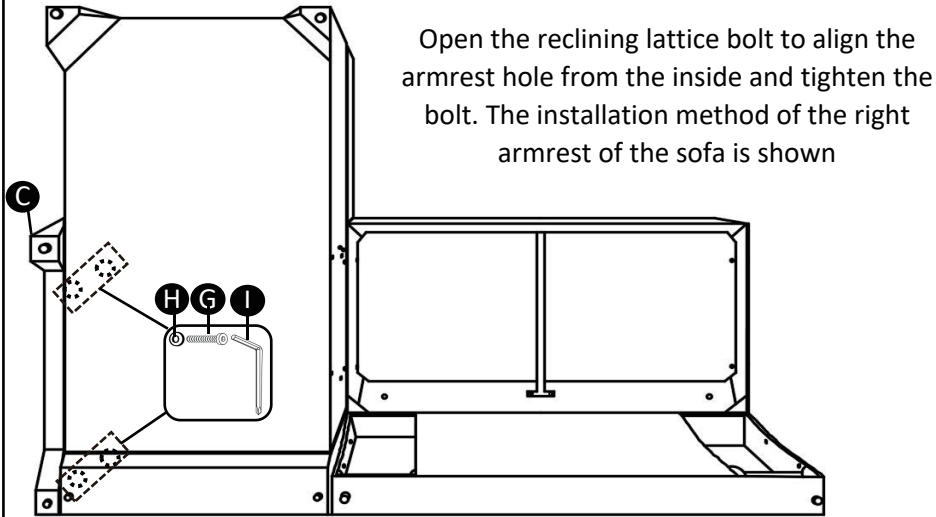
**STEP3**

Dear customers choose to install your sofa or left or right recliner based on your usage scenario

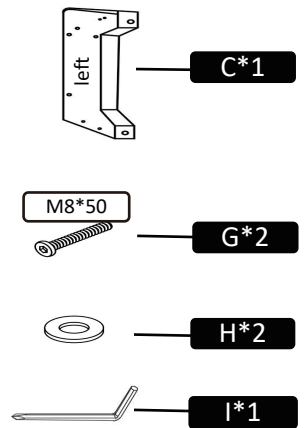
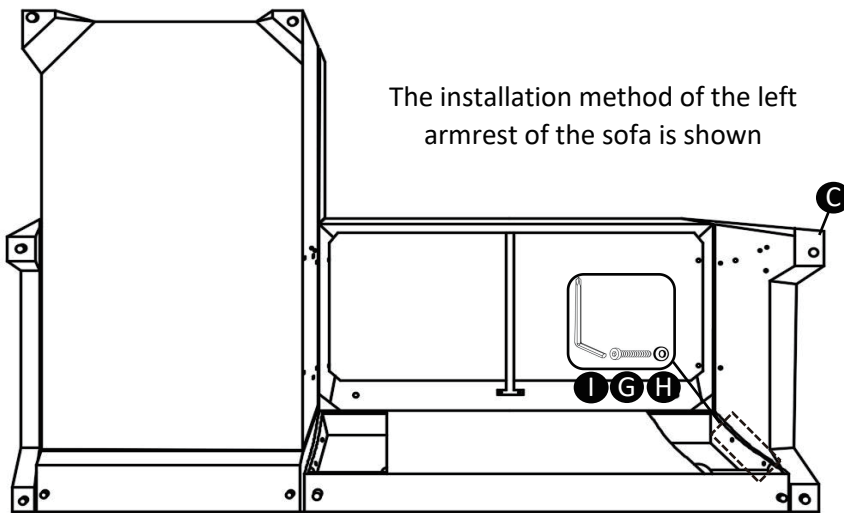
# Installation Steps

Materials ▾

Armrest installation steps for the right recliner



STEP4



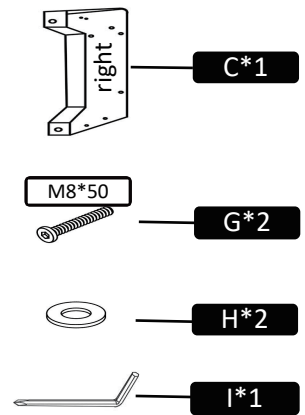
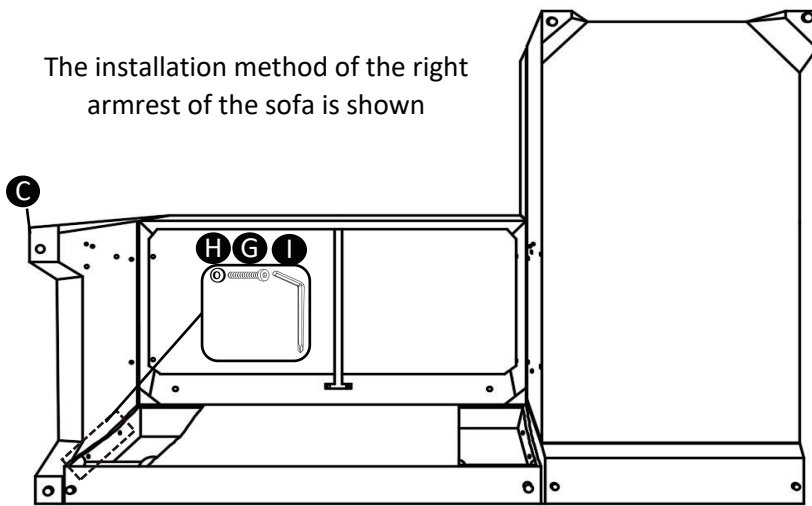
STEP5

# Installation Steps

Materials ▶

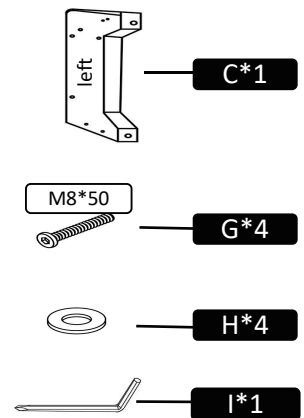
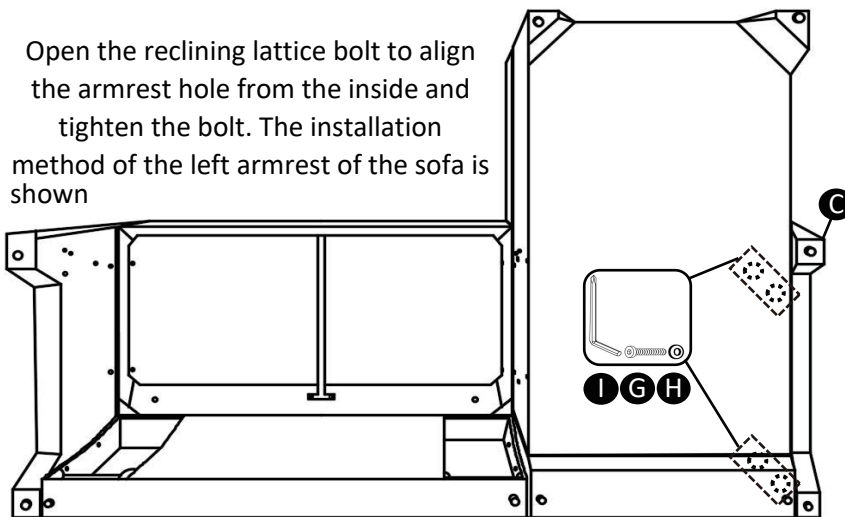
Armrest installation steps for the left recliner

The installation method of the right armrest of the sofa is shown



**STEP6**

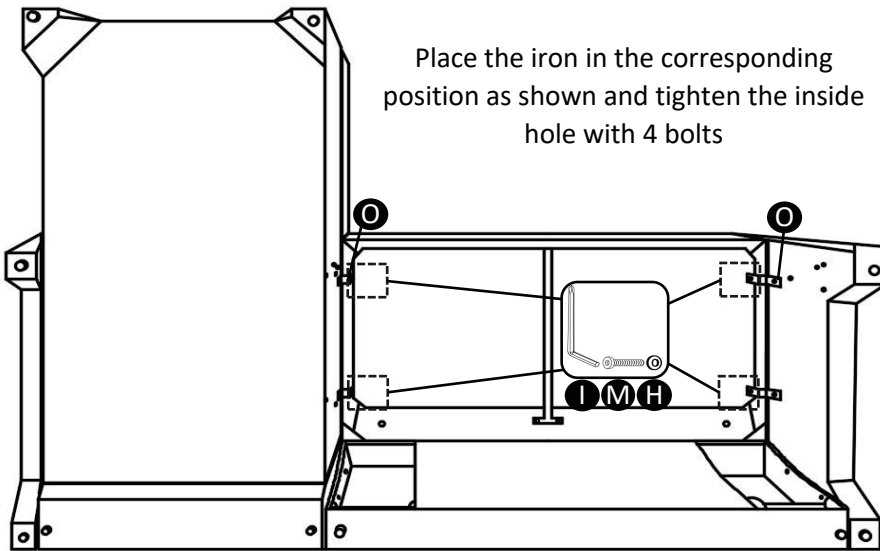
Open the reclining lattice bolt to align the armrest hole from the inside and tighten the bolt. The installation method of the left armrest of the sofa is shown



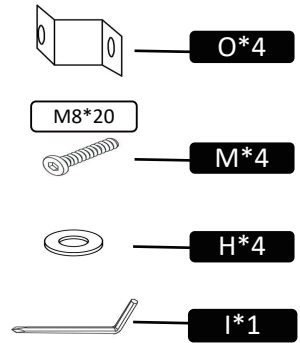
**STEP7**

# Installation Steps

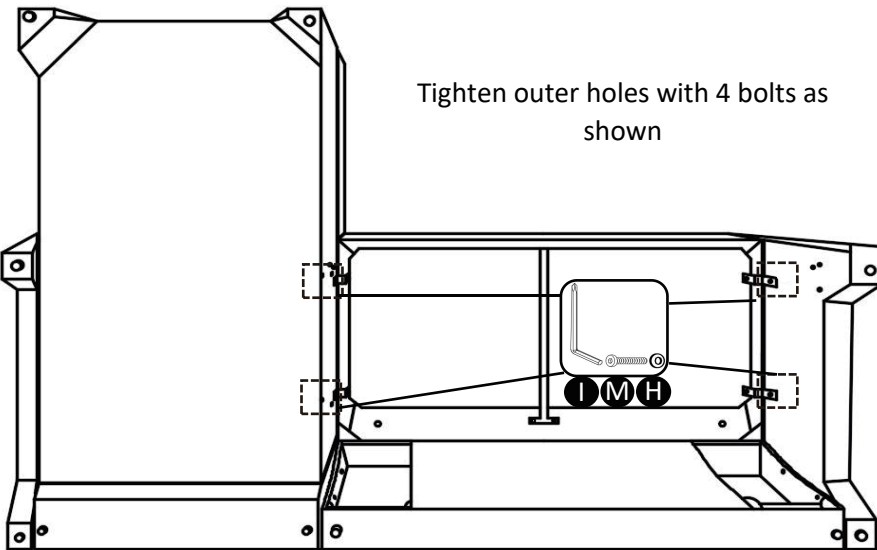
Materials ▾



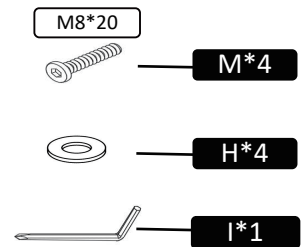
Place the iron in the corresponding position as shown and tighten the inside hole with 4 bolts



STEP8



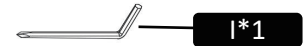
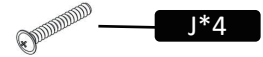
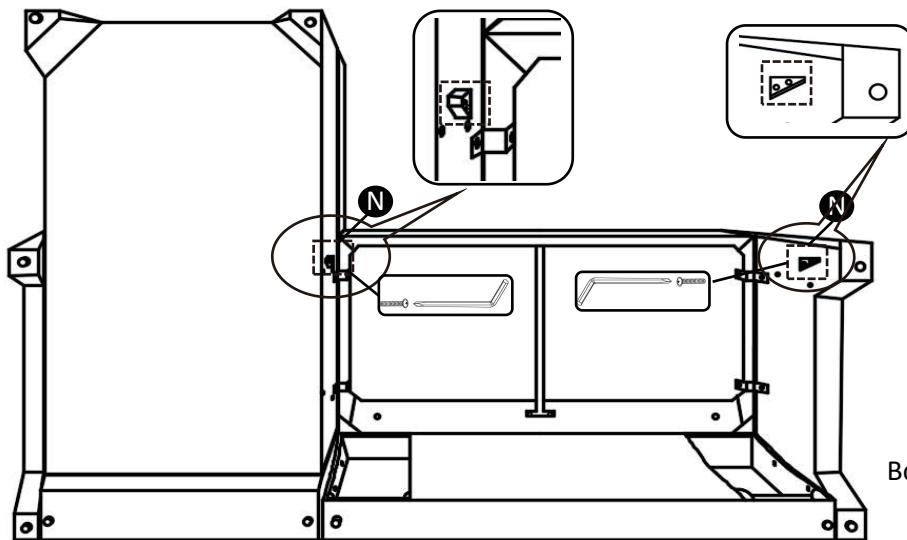
Tighten outer holes with 4 bolts as shown



STEP9

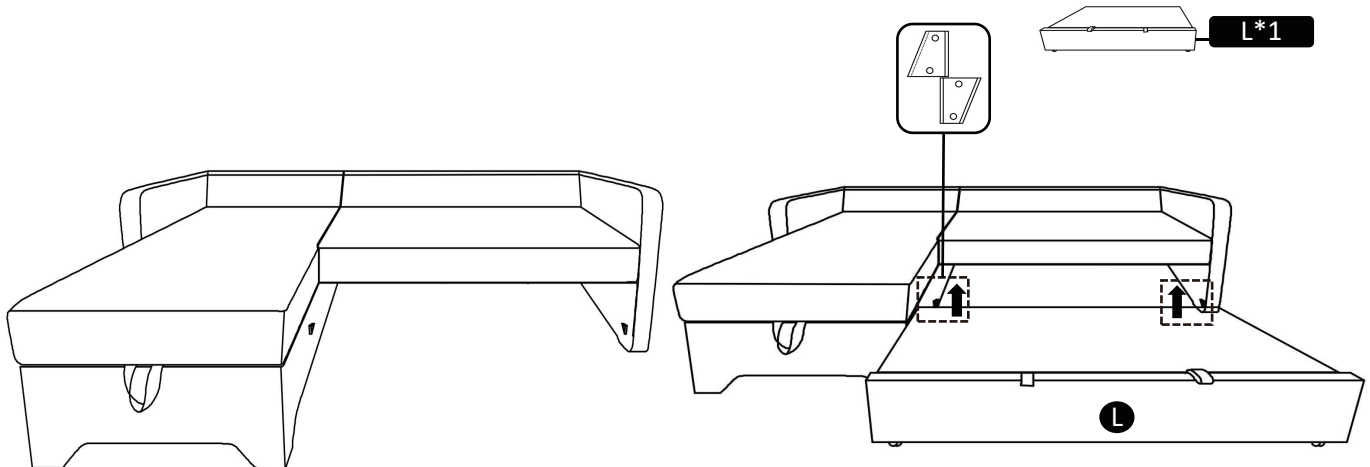
# Installation Steps

Materials ▾



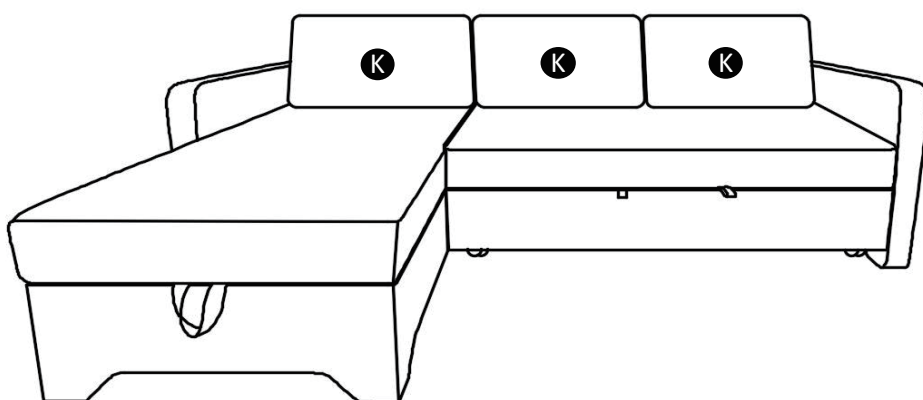
Bolt the 2 limiters in this direction

STEP10



Loading method:  
1, lift shelf up and clip into the slot  
2, or lift the sofa as a whole can also be installed

STEP11

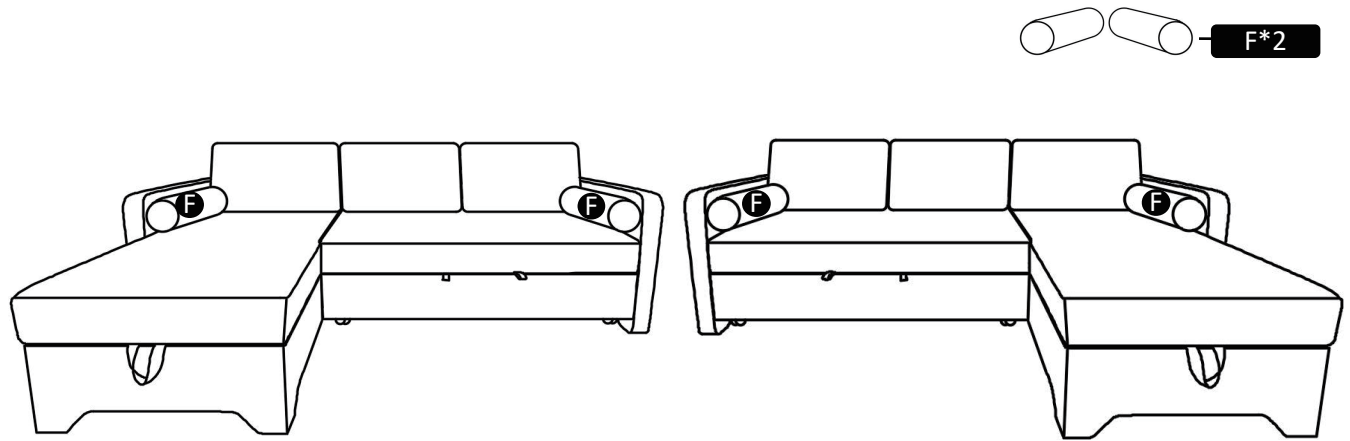


Put the sofa back pack according to the picture

STEP12

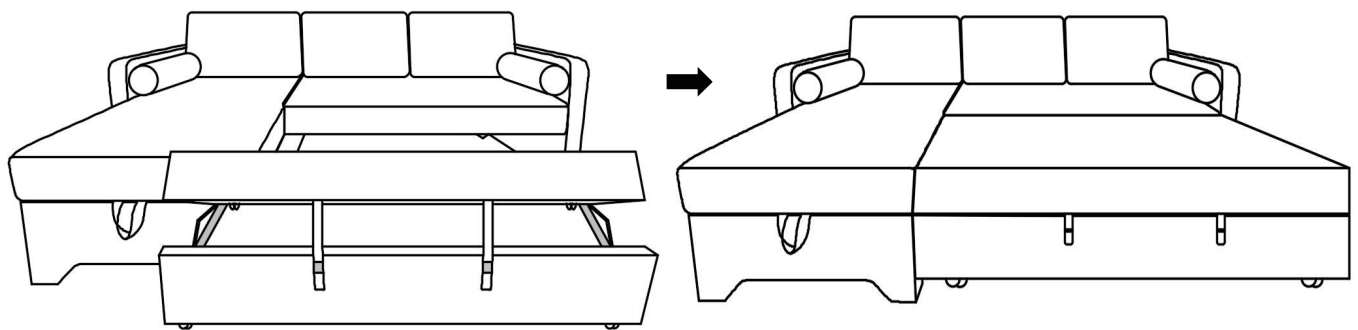
# Installation Steps

Materials ▶



Put the sofa hand bag according to the picture

**STEP13**



Pull the sofa shelf rope up and

**STEP14**

# Frequently Asked Questions

We understand that receiving damaged or defective products can be disappointing, and we're here to assist you every step of the way. Here's how to address common concerns and initiate a damage claim:

## **1.What should I do if my shipment is damaged or products received are defective?**

We're genuinely sorry to hear about any inconvenience caused. Please reach out to us promptly, and our team will prioritize resolving the matter swiftly and effectively, please retain the original box in case a return is required.

## **2.Can I return the product if I'm not satisfied?**

While we uphold stringent quality standards and collaborate with experienced manufacturers, we acknowledge that dissatisfaction may arise. If you're still unsatisfied, of receiving the product. Simply message us with your reasons for return, and we'll facilitate the process.