

TV Stand w/ Fireplace



Estimated Time for Assembly

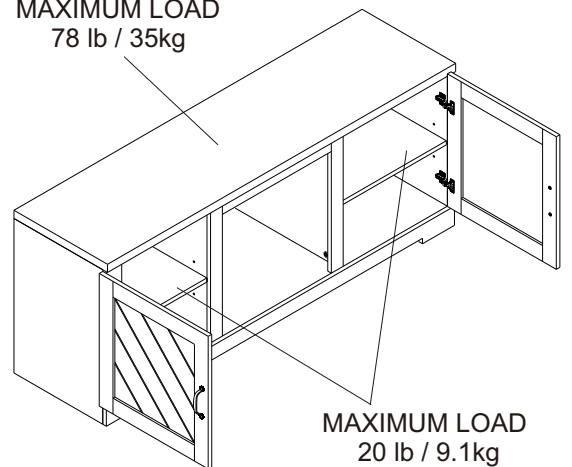
120 mins



Weight Limitation

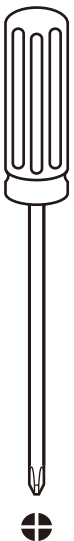
20 lb Shelf **78 lb** Top

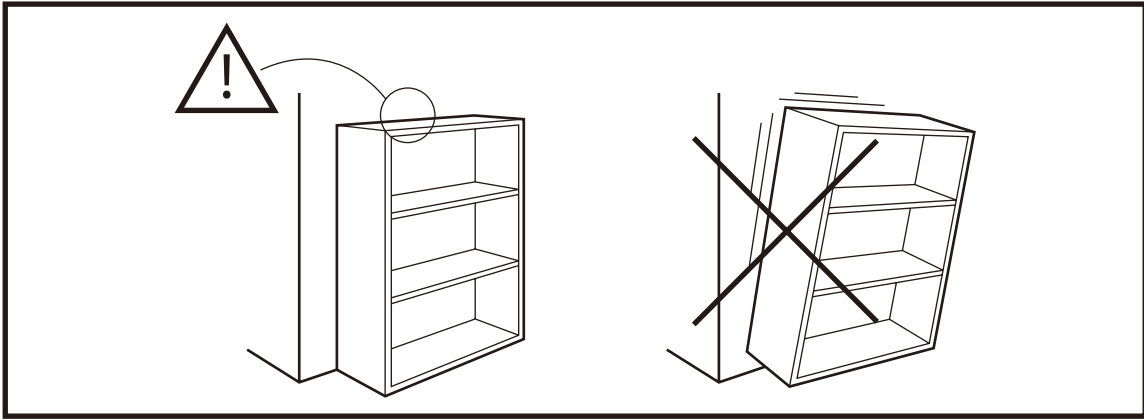
MAXIMUM LOAD
78 lb / 35kg



MAXIMUM LOAD
20 lb / 9.1kg

Tools Needed (Not included)

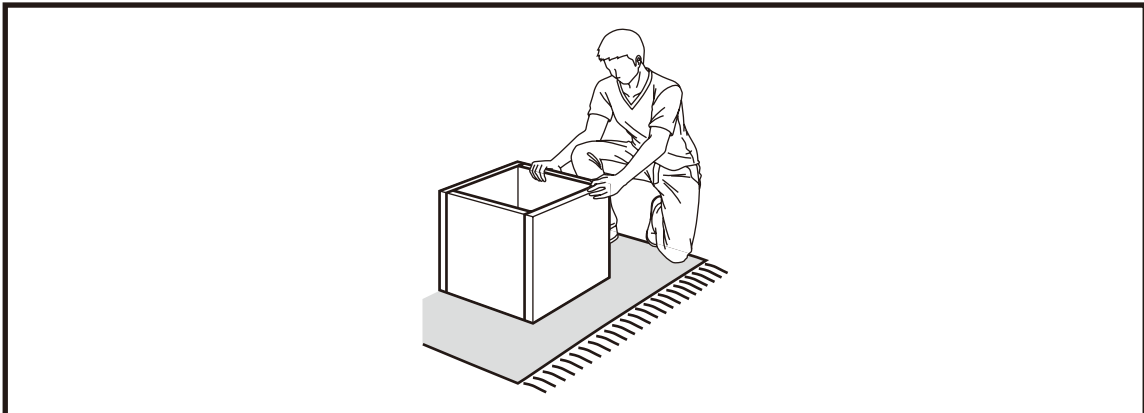




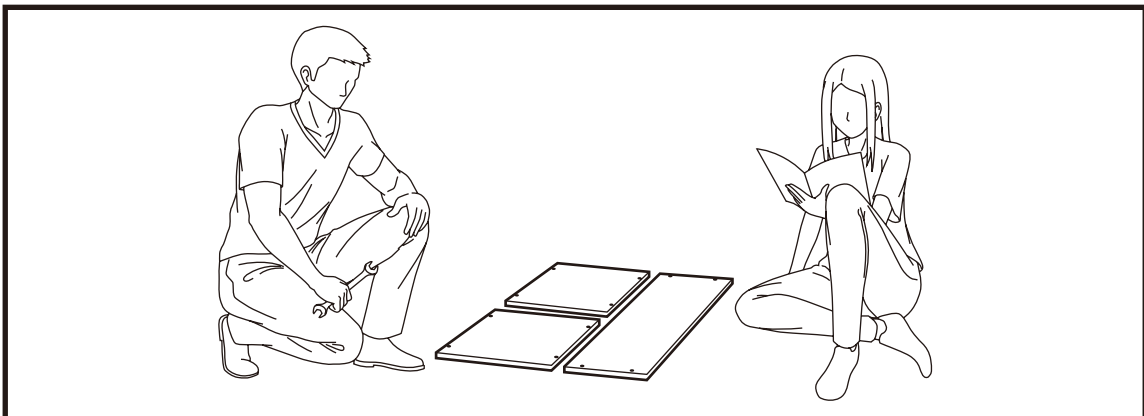
Warning

Serious or fatal crushing injuries may occur if the furniture tip-over. Furniture must permanently fixed to the wall with included anti-tipping device to prevent the furniture from tipping over.

Different wall materials requires different types of fixing device, Use suitable fixing device to secure the stability and load bearing capacity of the furniture. If you are uncertain about which type of fixing device to use, please contact your local hardware store.



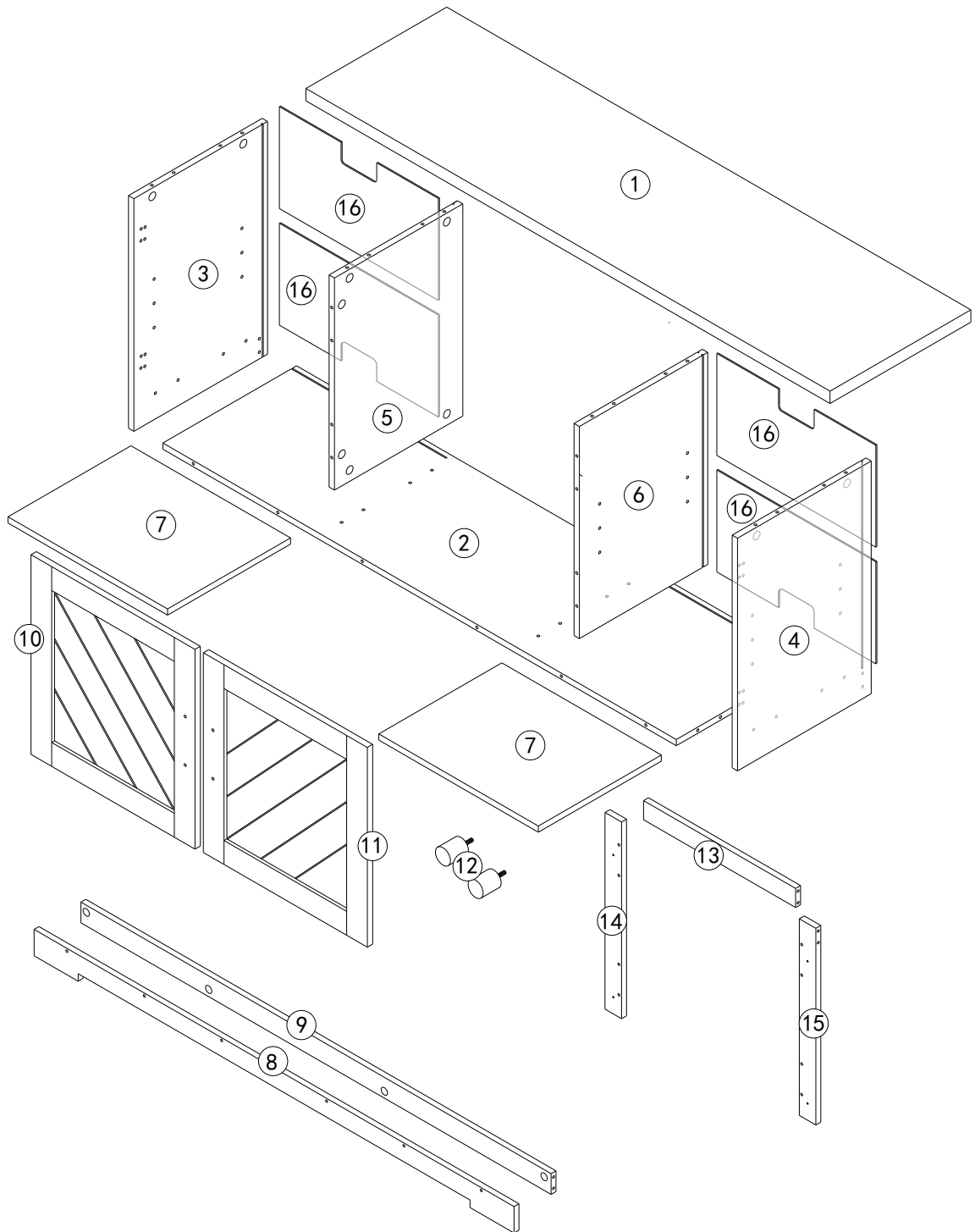
Assembly the furniture on empty carton, carpet, or rug to prevent scratches or damage.



This furniture requires 2 people to assembly.

Make sure no parts are missing or damaged before assembly.

PACKAGE CONTENT



PACKAGE CONTENT (A)

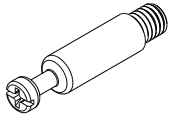
CODE	DESCRIPTION	QTY
1	Top Panel	1
2	Bottom Panel	1
8	bottom front support	1
9	bottom back support	1
13	top cross bar	1
14	left vertical strip	1
15	right vertical strip	1
16	back panel	4

PACKAGE CONTENT (B)

CODE	DESCRIPTION	QTY
3	Left Side Panel	1
4	Right Side Panel	1
5	Left Divider	1
6	Right Divider	1
7	removable shelf	2
10	Left Door	1
11	Right Door	1

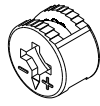
PACKAGE CONTENT

(A)



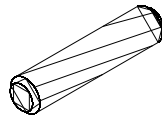
x28

(B)



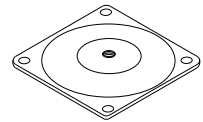
x28

(C)



x30

(D)



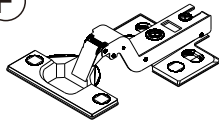
x2

(E)



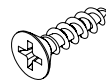
x8

(F)



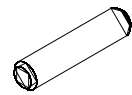
x4

(G)



24

(H)



x8

(I)



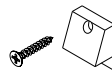
x2

(J)



x4

(K)

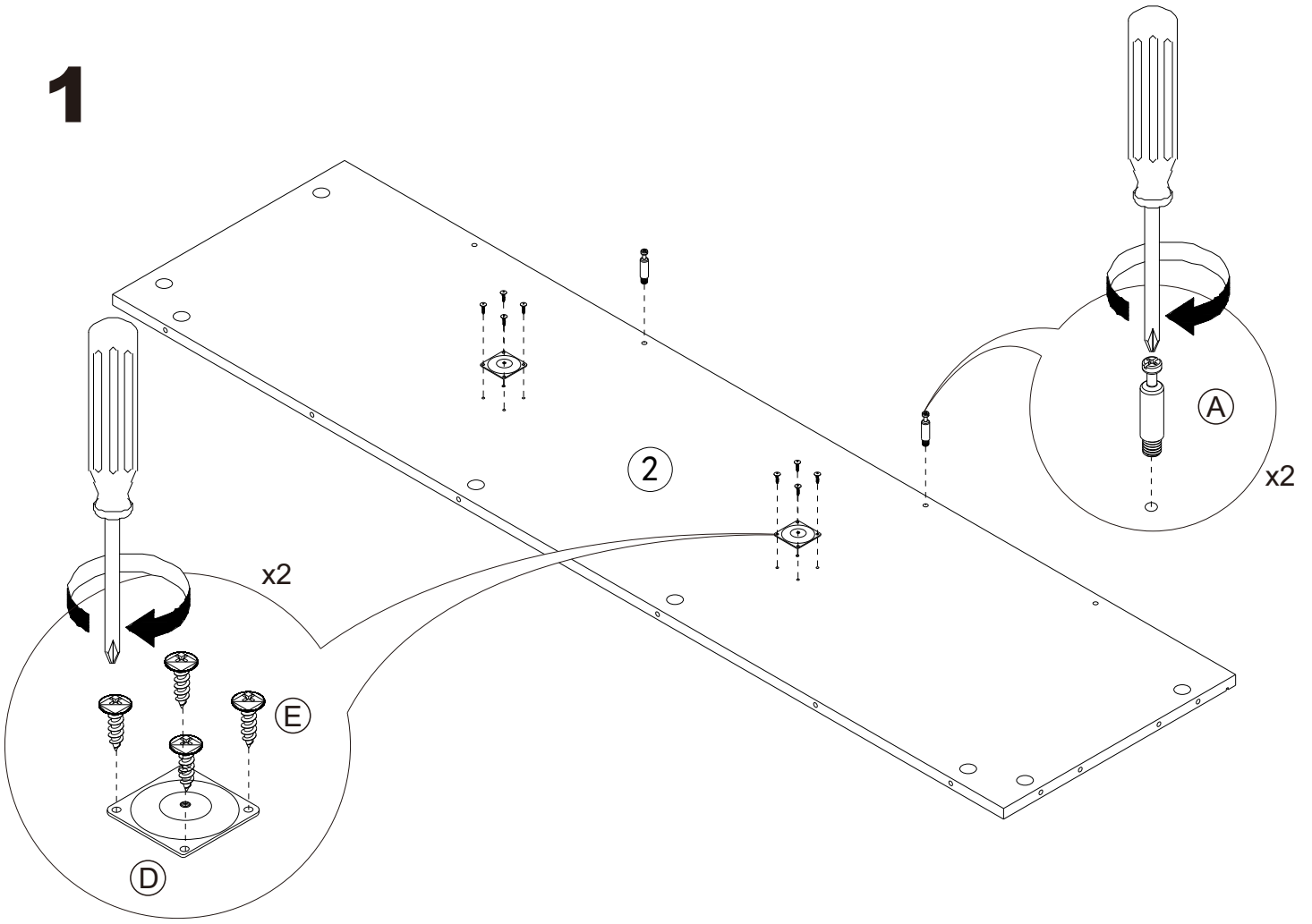


x8

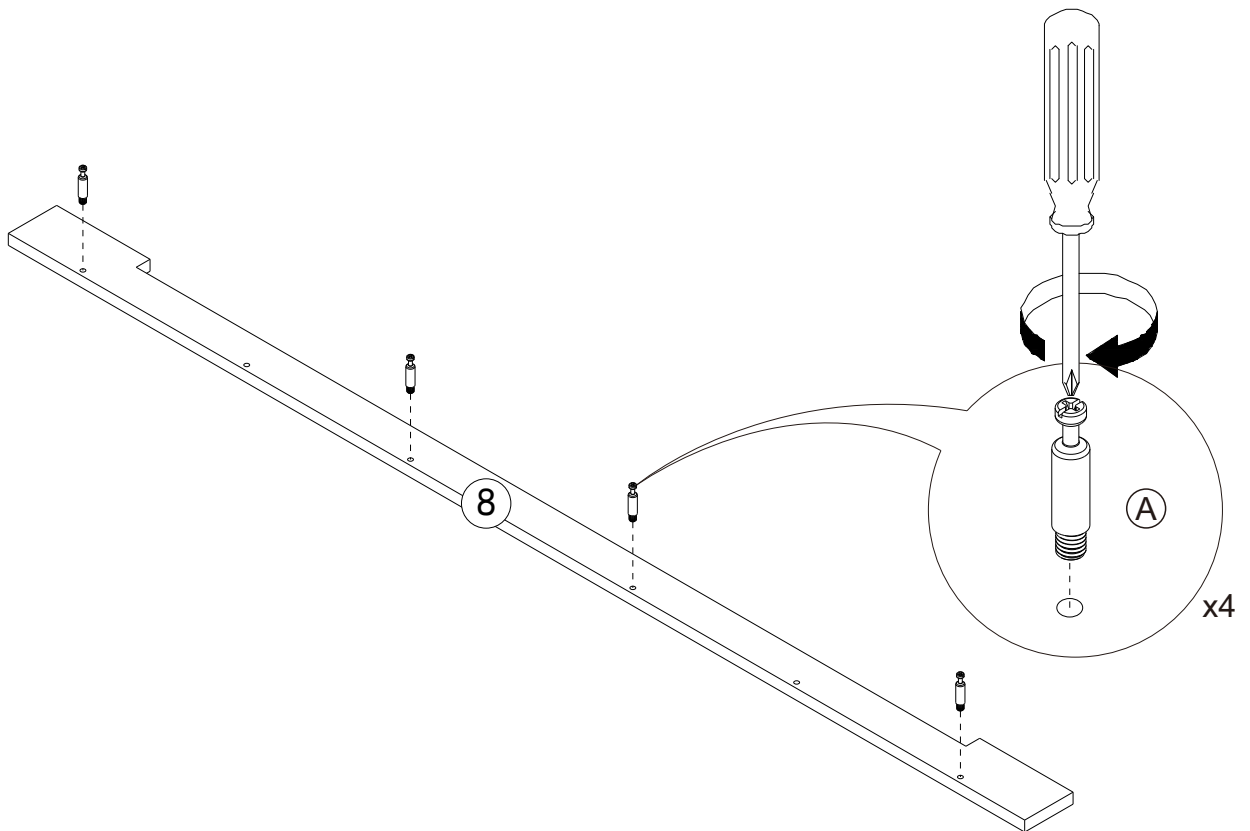
(L)



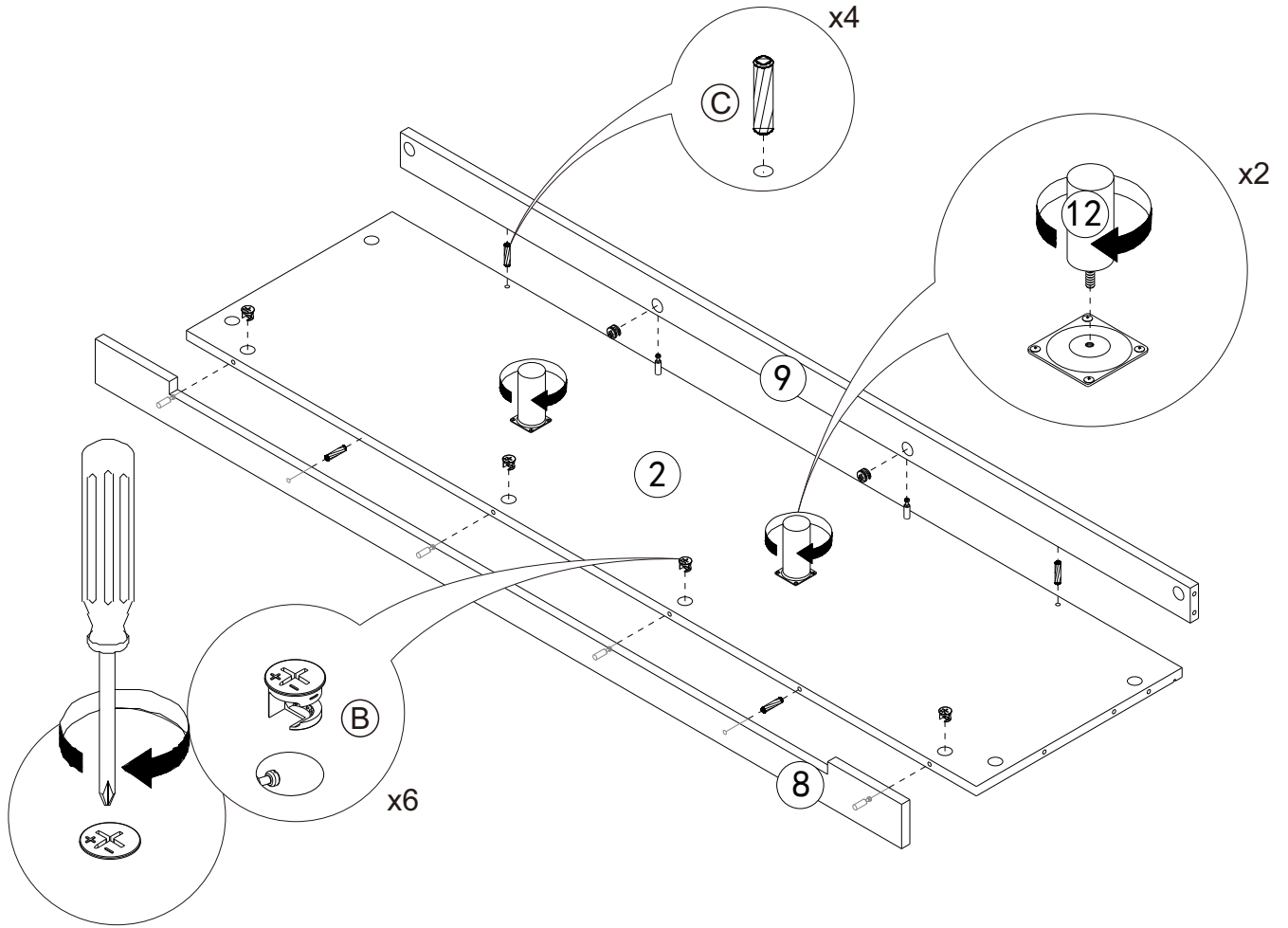
1



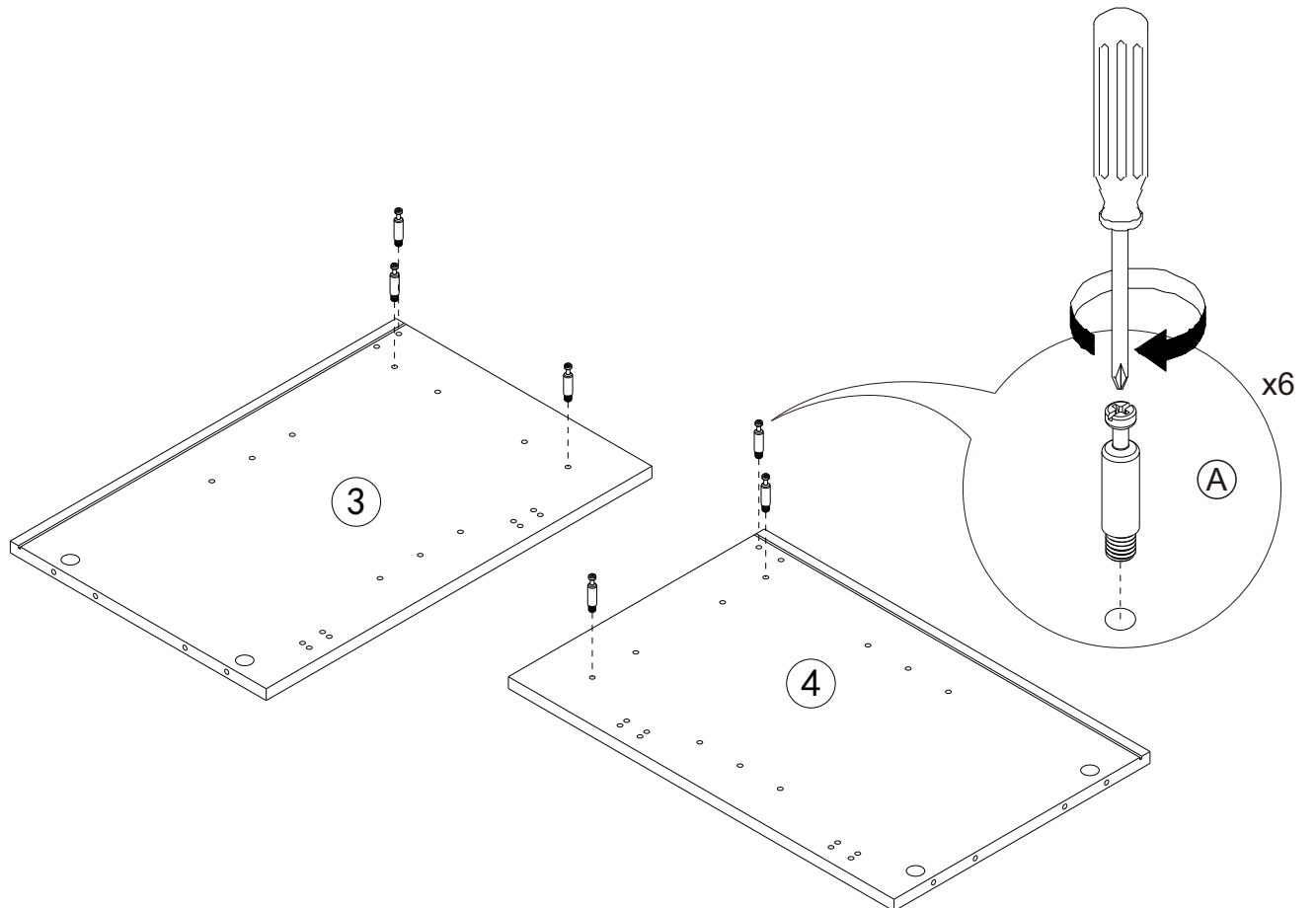
2



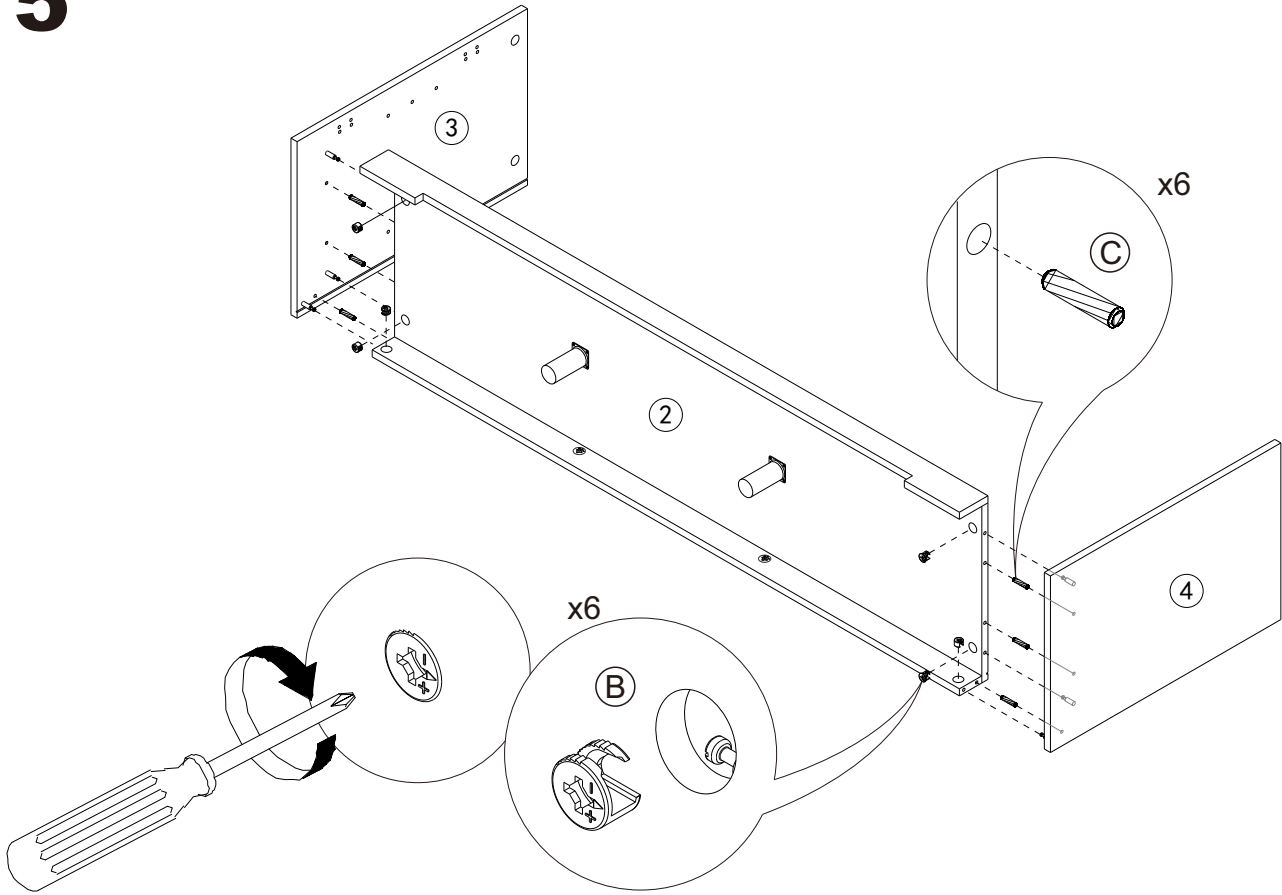
3



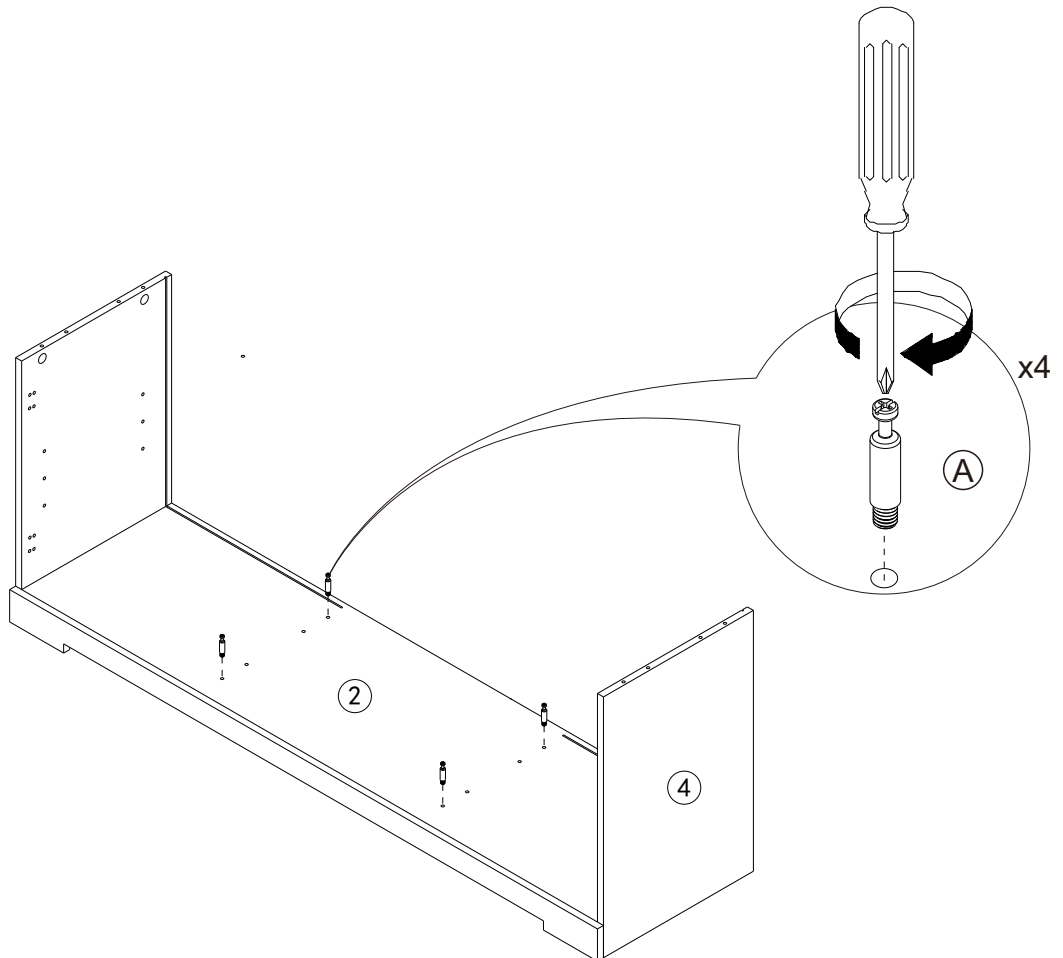
4



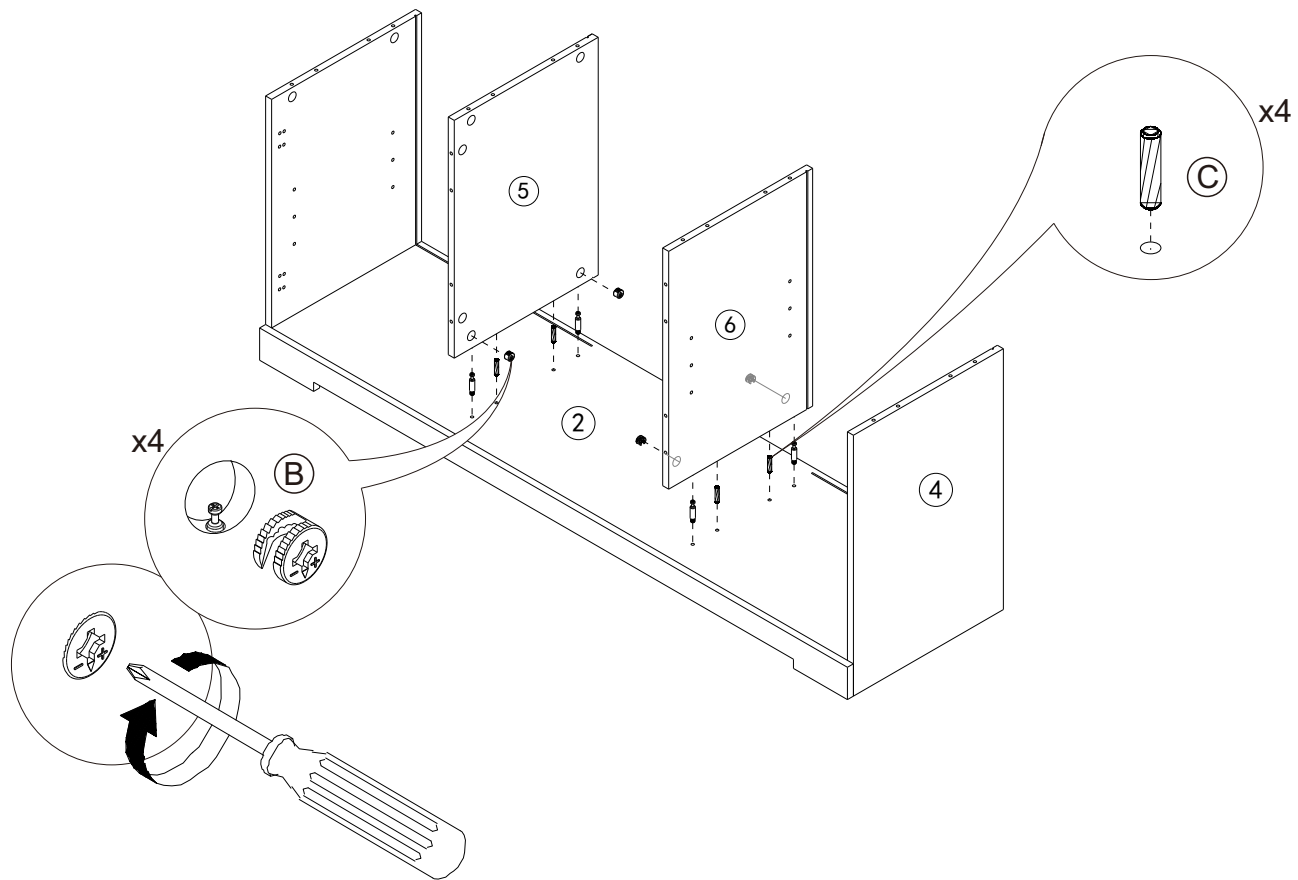
5



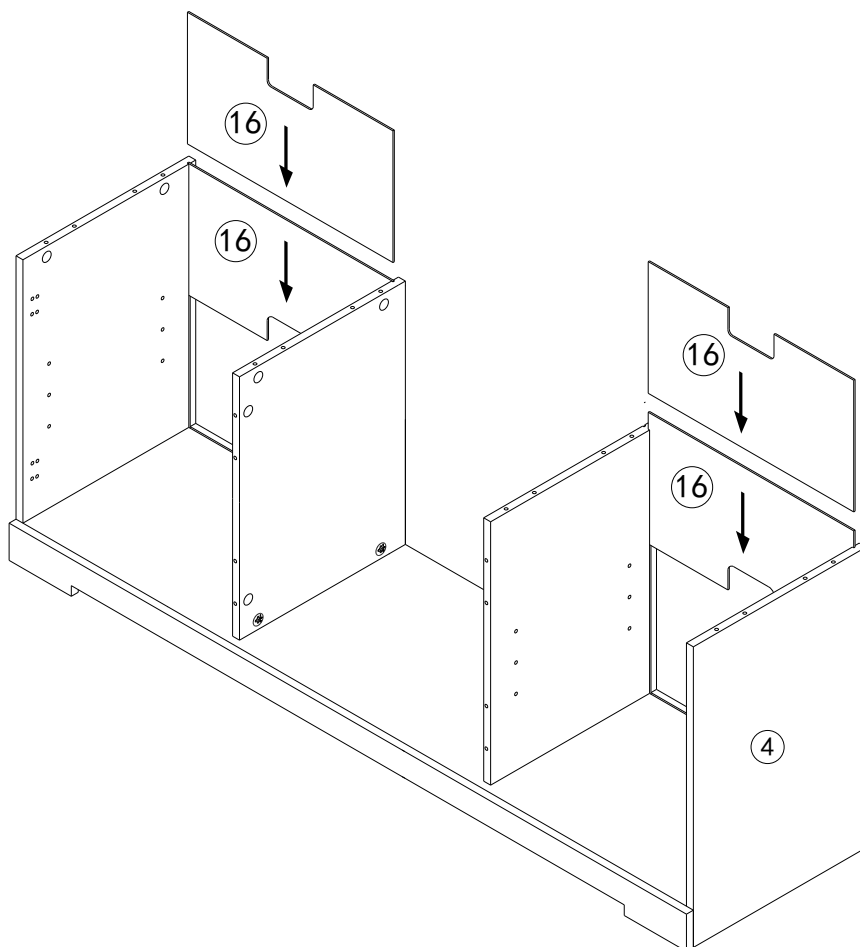
6



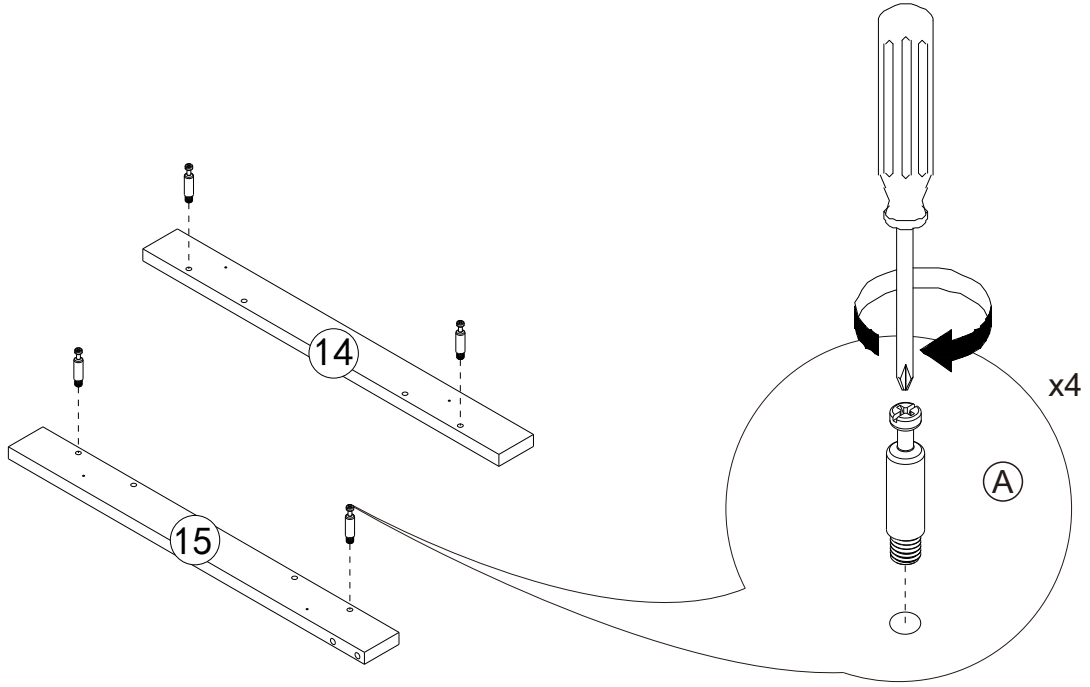
7



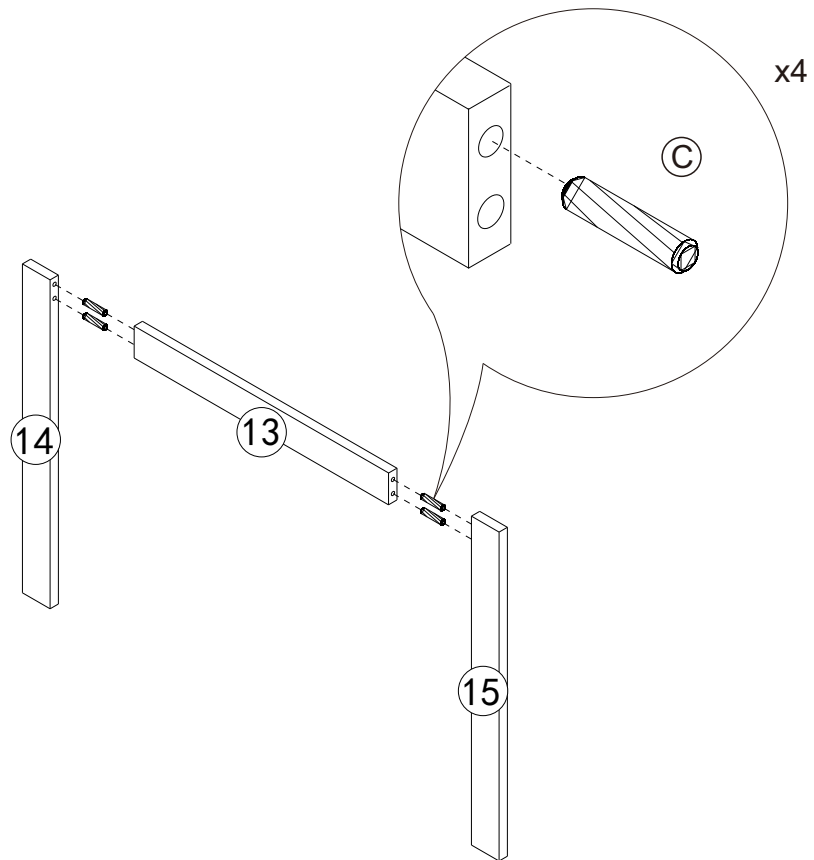
8



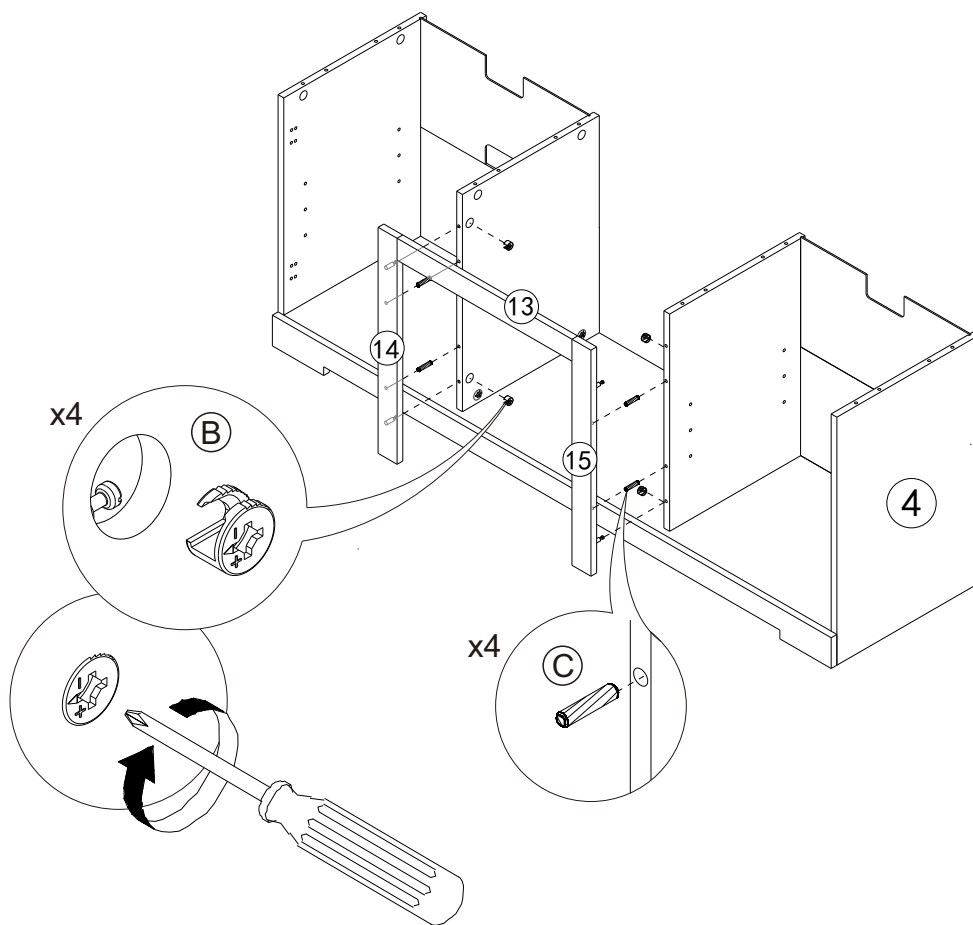
9



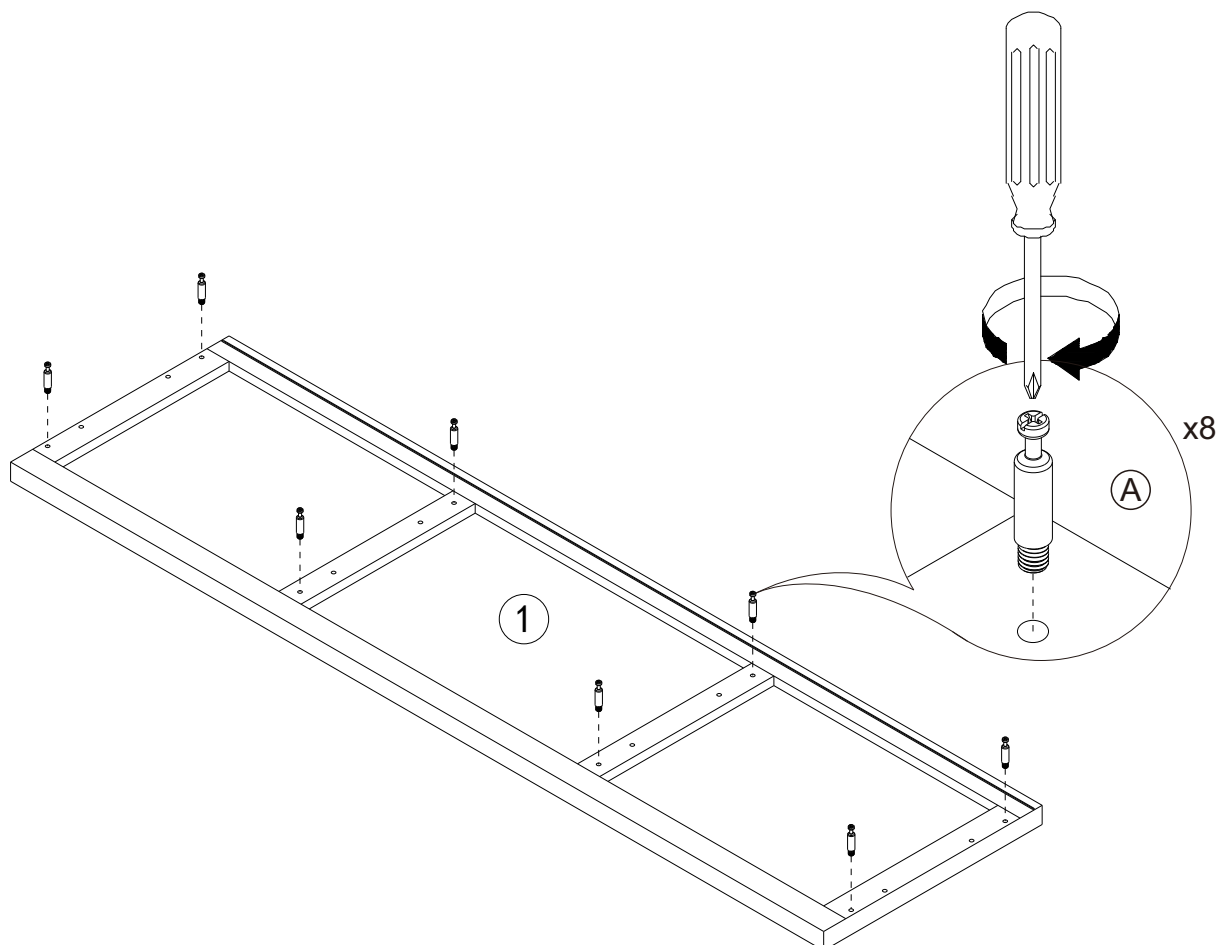
10



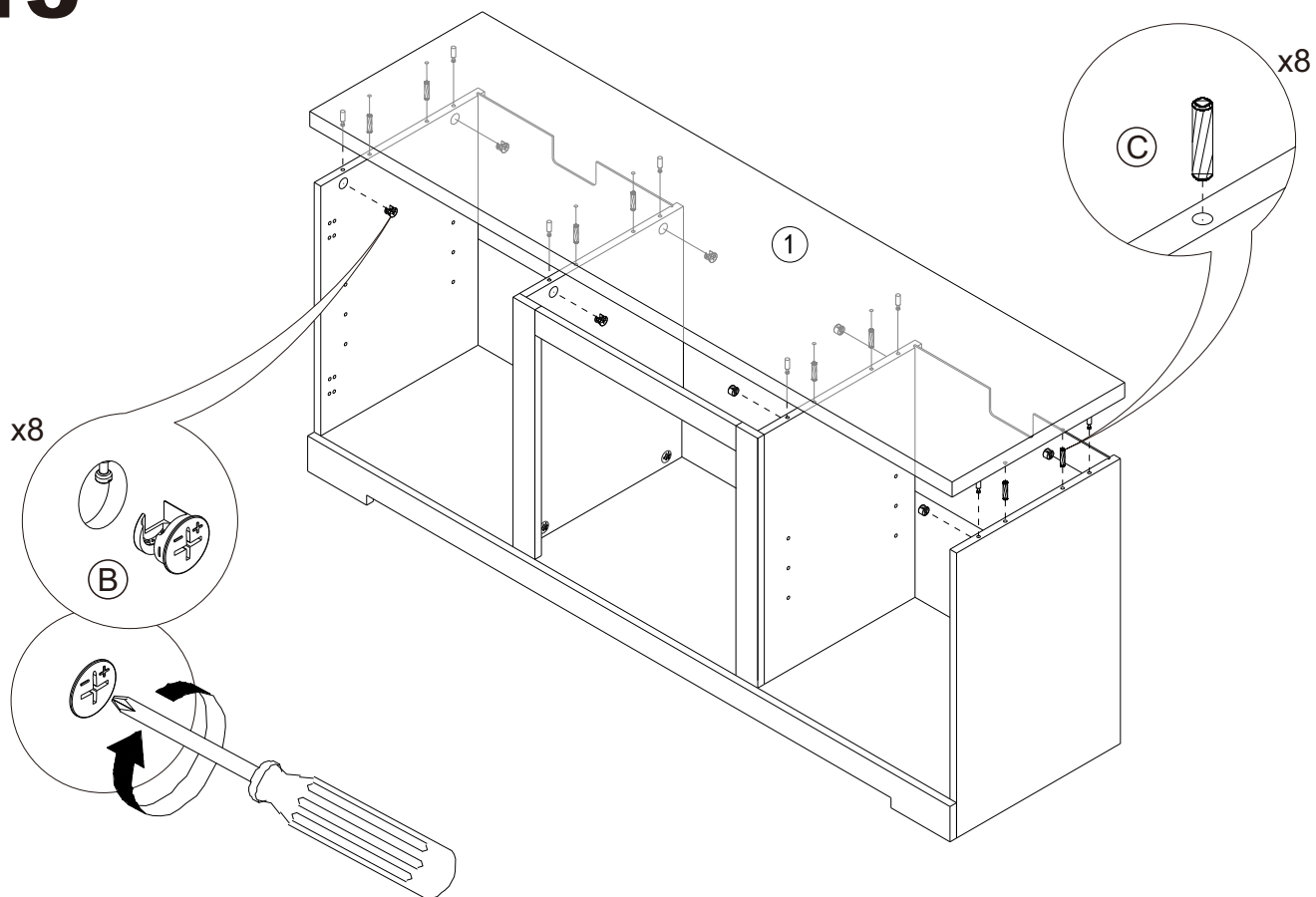
11



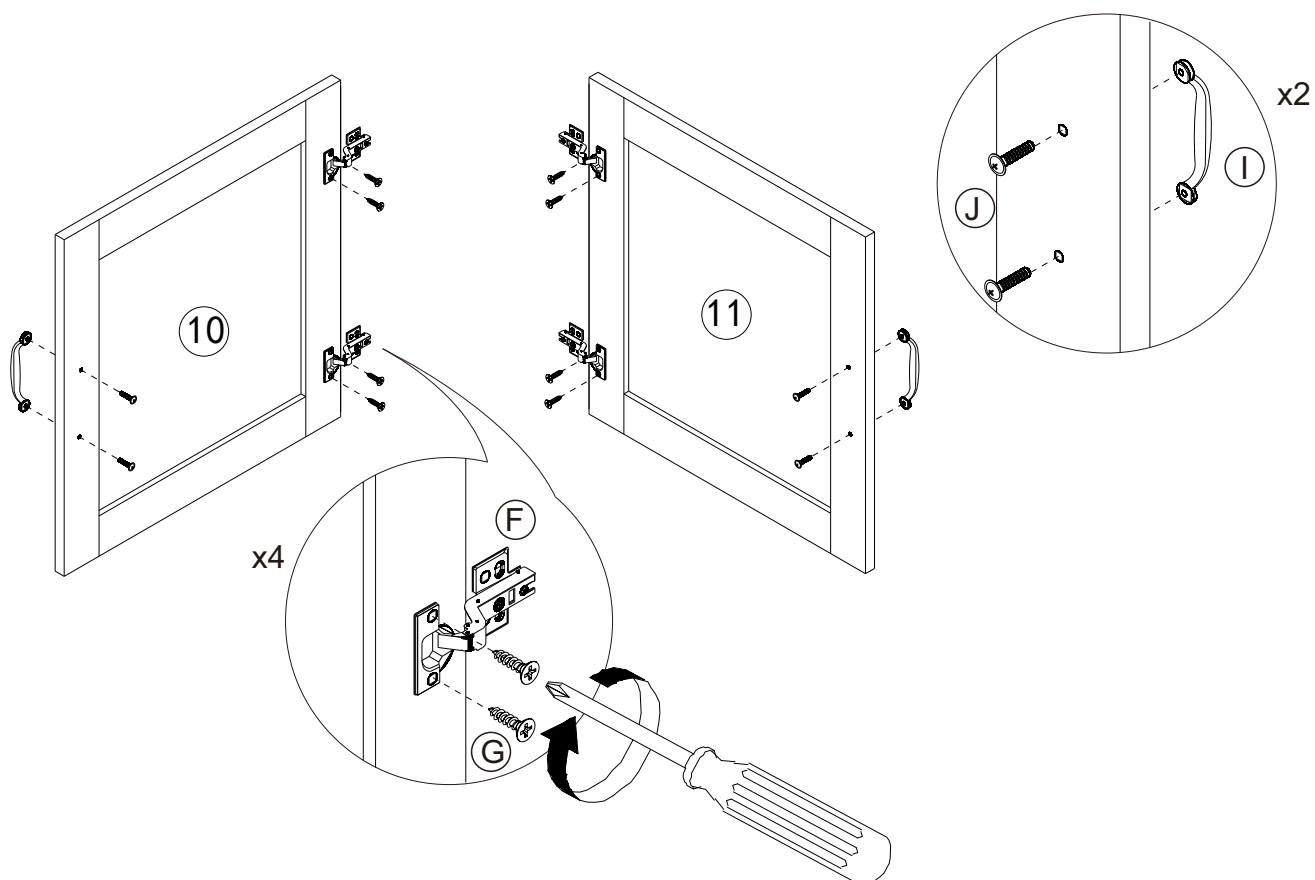
12



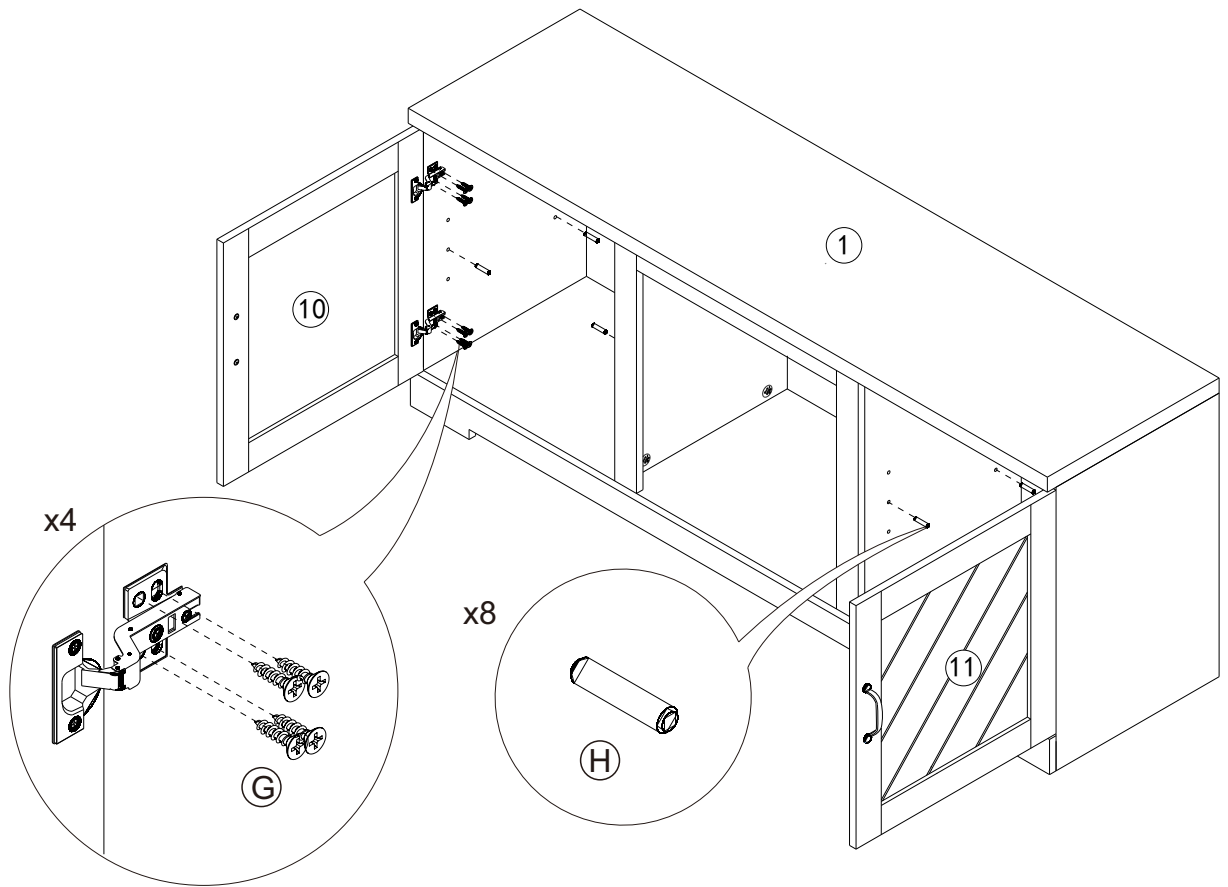
13



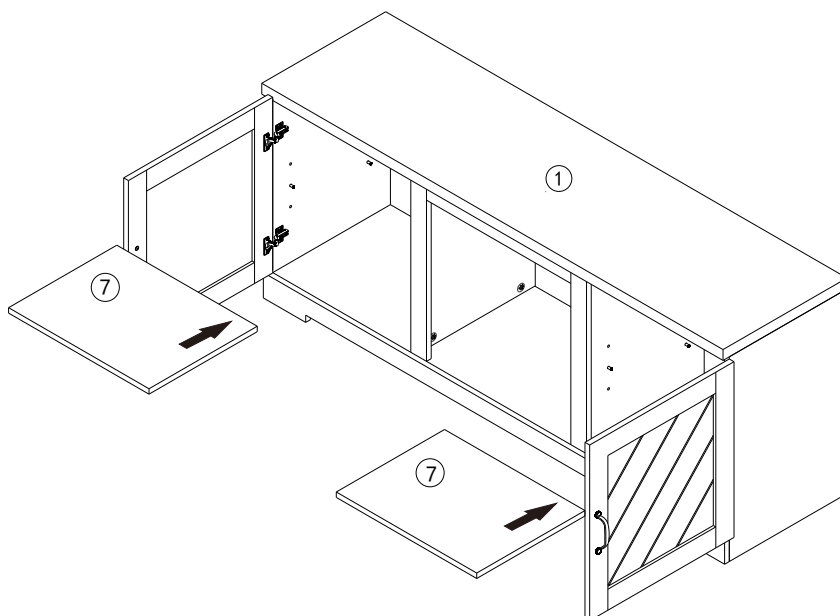
14

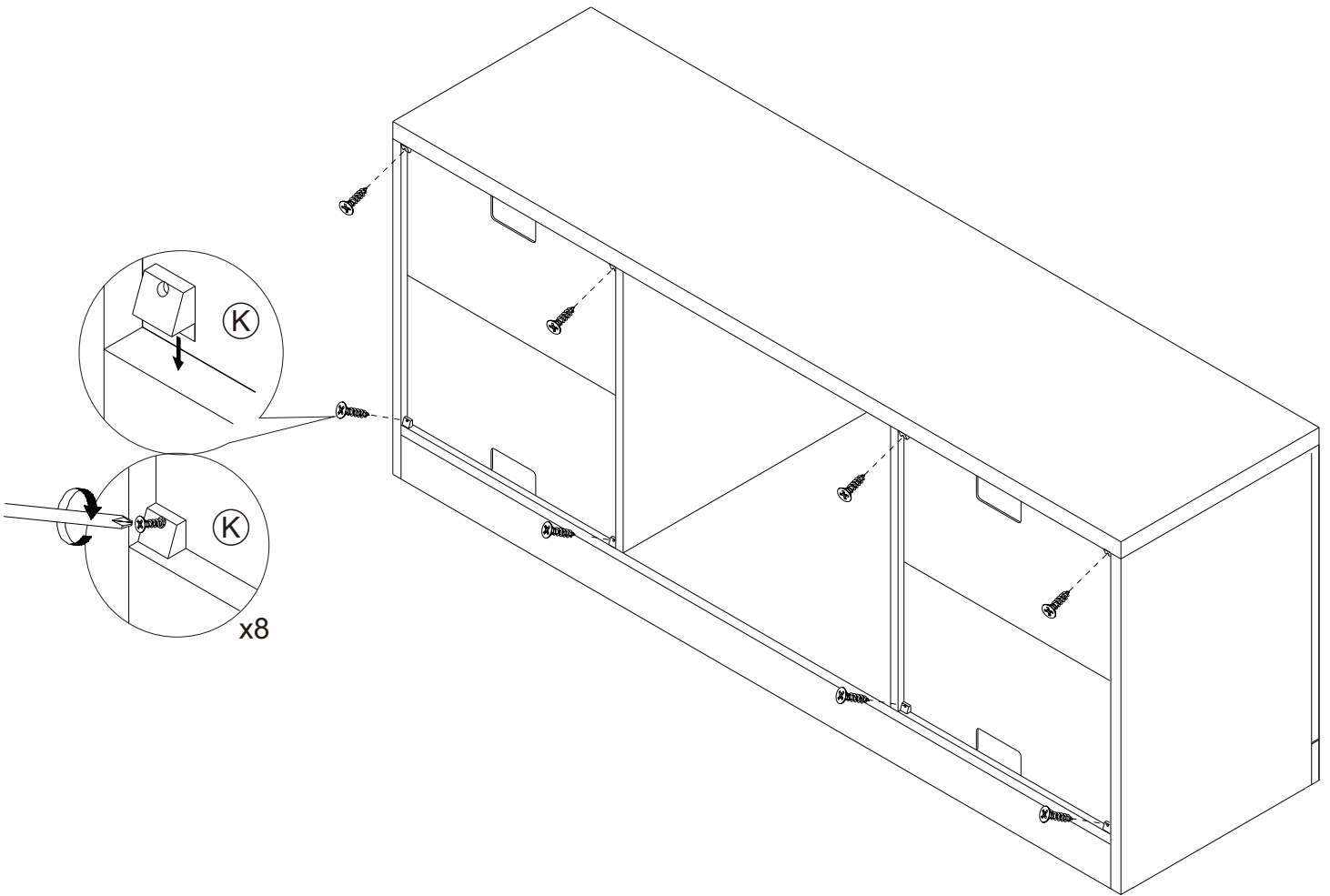


15

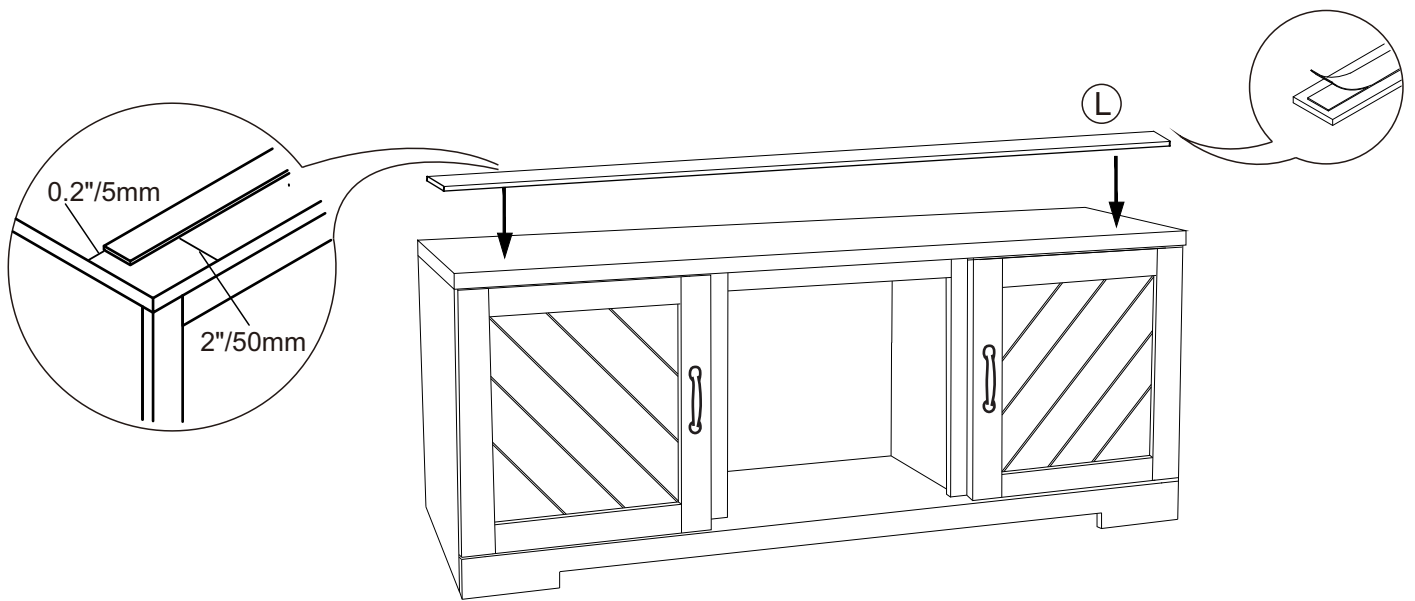


16

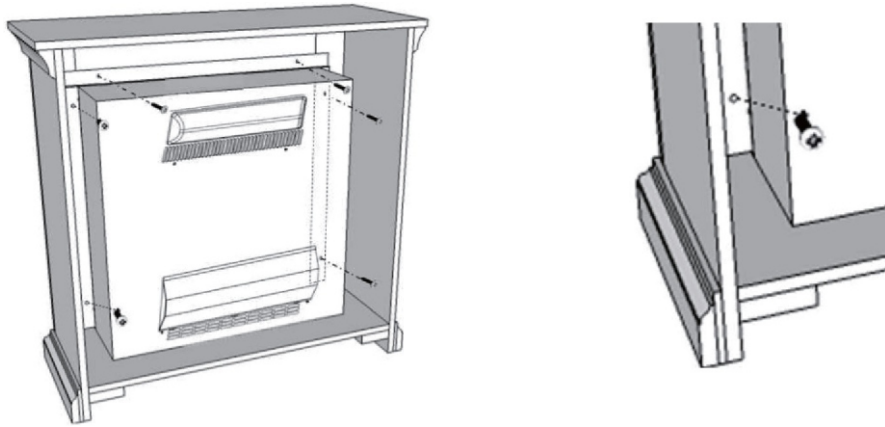




18



FINISH!



FIREPLACE INSTALLATION

If you decide to install the fireplace into the mantel, carefully set the unit from the back of the mantel and center it in the opening.

Check the alignment and attach the unit to the mantel by inserting screws through the drilled holes on the trim to the mantel.

NOTE: Do not attempt to install the unit from the front of the mantel. It will not fit.

FURNITURE CARE AND MAINTENANCE

Medium - Density Fiberboard

Thank you for your purchase. We want your item to last as long as possible. To ensure the product gives you years of service, please refer to this care and maintenance guide.



MAINTENANCE

- Tighten all bolts and screws again within the first 2 weeks of assembly.
- Check the tightness of all bolts every 2 months, tighten them if necessary.



CLEANING

- Clean the surface of the MDF (medium - density fiberboard) with a lightly dampened cloth.
- Small amount of mild soap can be used if necessary.
- Dry the surface immediately after cleaning.

DO NOT use bleach or alcohol detergent to clean the surface.

DO NOT apply wood treatment on parts made with MDF.

Medium - density fiberboard will swell and distort when suffer from water damage. Make sure to dry the furniture immediately after cleaning.

Warranty

Products come with a 1 year warranty from the date of purchase. In any event that the product arrives damaged or missing parts, we are more than happy to provide you with replacement part(s).