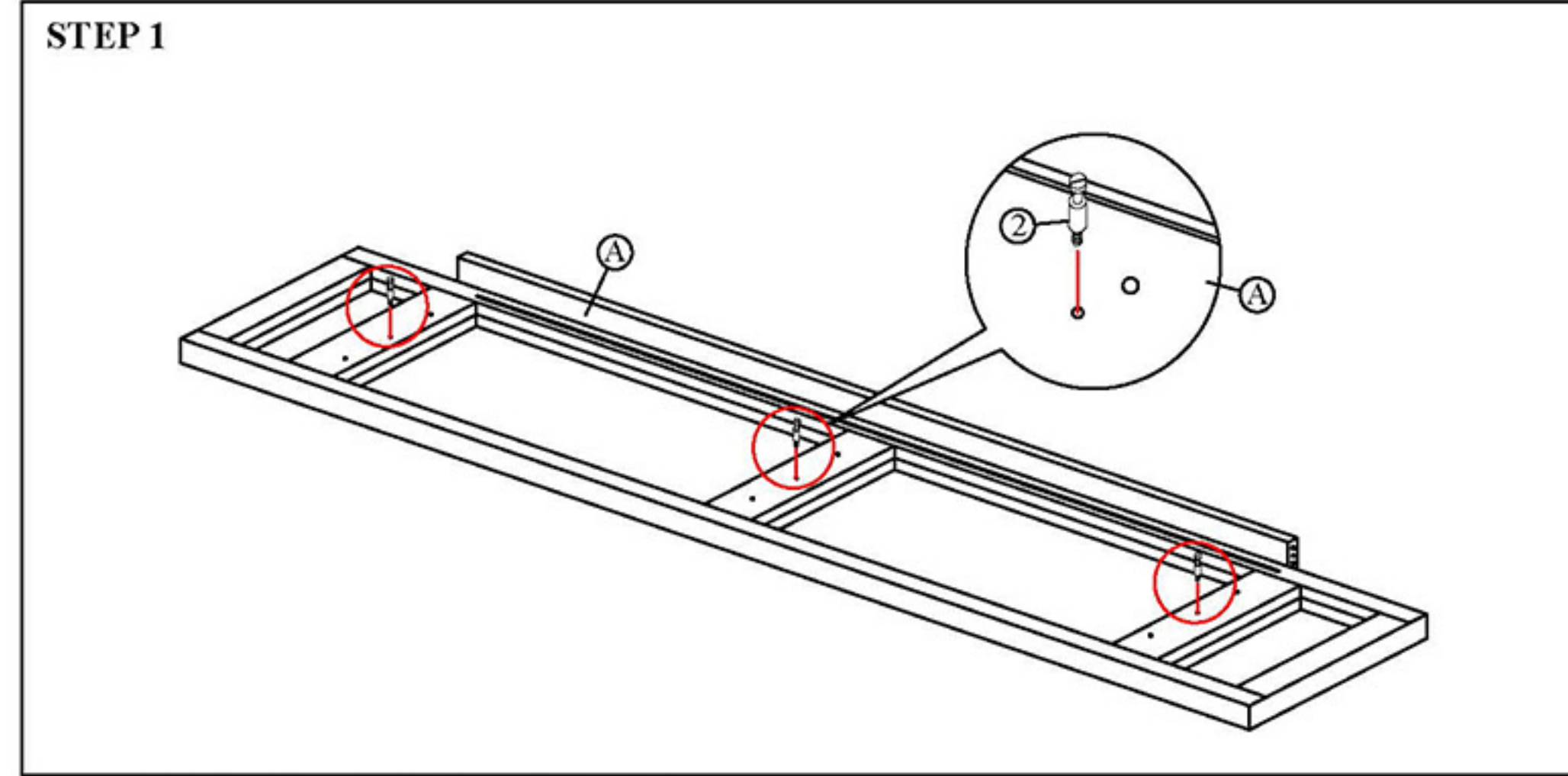
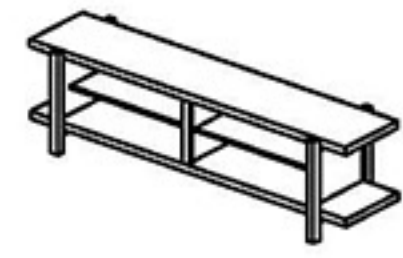


# ASSEMBLY INSTRUCTIONS

HARDWARE LIST			
ITEM	DRAWING	DESCRIPTION	QTY
A		TOP PANEL A	1
B		TOP PANEL B	1
C		SIDE PANEL	2
D		CENTER PANEL	1
E		SHELF	2
F		BACK PANEL	1
G		SUPPORT LEG	1
H		SIDE FRAME L	1
I		SIDE FRAME R	1

ITEM	DRAWING	DESCRIPTION	QTY
1		ALLEN WRENCH (M4(BALL SHAPE)10mm)	1
2		CAM BOLT (T24)	6
3		CAM NUT (D15 X 9.5mm)	6
4		SMALL WOOD DOWEL (M6 x 40mm)	12
5		BIG WOOD DOWEL (M6 x 20mm)	4
6		CONNECTION BOLT (M6 x 60mm) W/WASHER & SPRING WASHER	8
7		CONNECTION BOLT (M6 x 80mm) W/WASHER & SPRING WASHER	4
8		BARREL NUT (M6 x 1.3mm)	4
9		METAL SHELF NUT WITH HOLE (G06)	8
10		Assembly Tool Not Included	1



THE HARDWARE IS LOCATED IN THE PACKING ITEMS  
 NOTE: MUST TIGHTEN SCREWS PERIODICALLY. WITH USE SCREW MAY BECOME LOOSE. CHECK TIGHTNESS OF ALL SCREW EVERY 4-8 WEEKS.

CLEANING INSTRUCTION

# ASSEMBLY INSTRUCTIONS

**STEP 2**

**STEP 3**

**STEP 4**

THE HARDWARE IS LOCATED IN THE PACKING ITEMS

# ASSEMBLY INSTRUCTIONS

**STEP 5**

**STEP 6**

THE HARDWARE IS LOCATED IN THE PACKING ITEMS

# ASSEMBLY INSTRUCTIONS

**STEP 7**

**STEP 8**

THIS PART (FIXED WITH PVC NAIL LEG) MUST FACING DOWN.

THE HARDWARE IS LOCATED IN THE PACKING ITEMS

# ASSEMBLY INSTRUCTIONS

**STEP 9**

THIS PART (FIXED WITH PVC NAIL LEG) MUST FACING DOWN.

**STEP 10**

THE HARDWARE IS LOCATED IN THE PACKING ITEMS