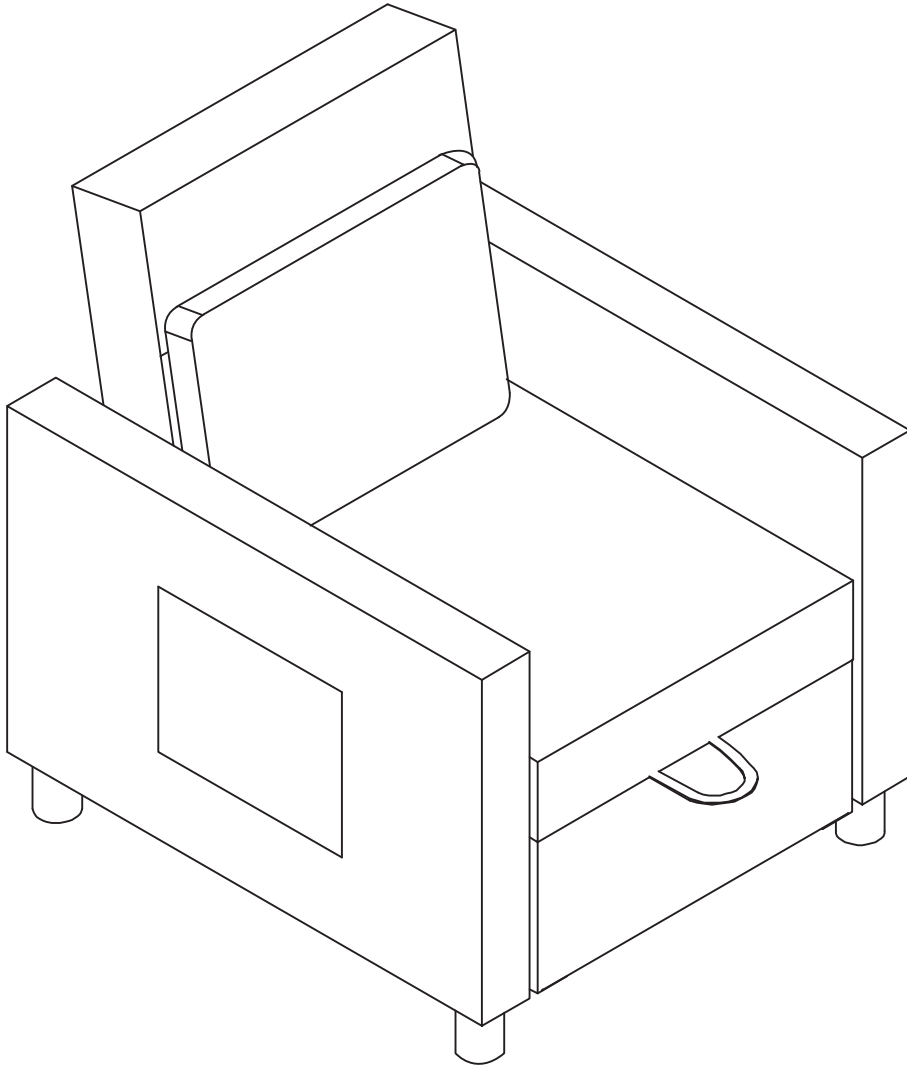
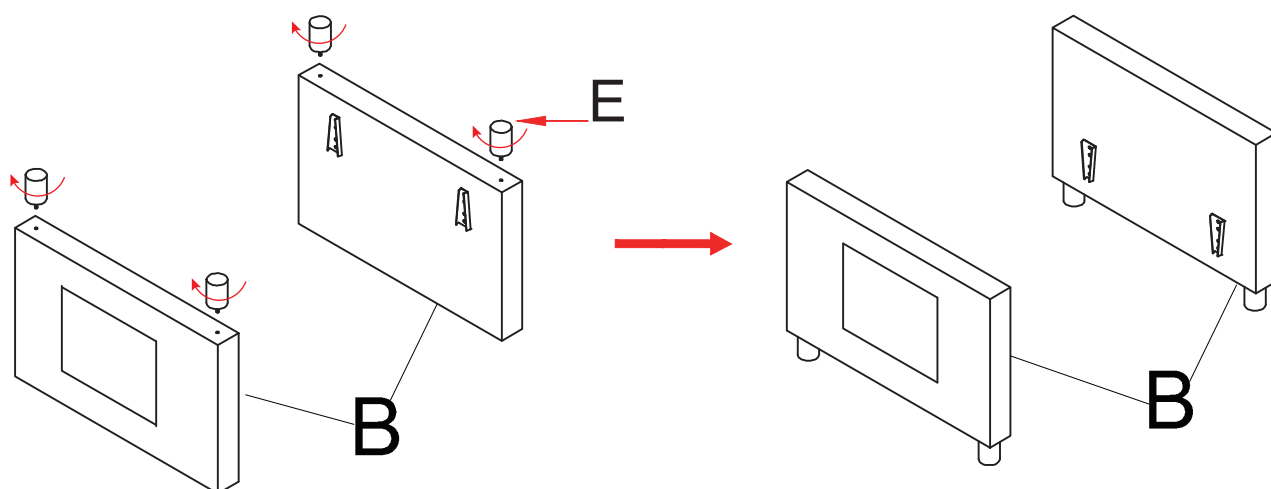
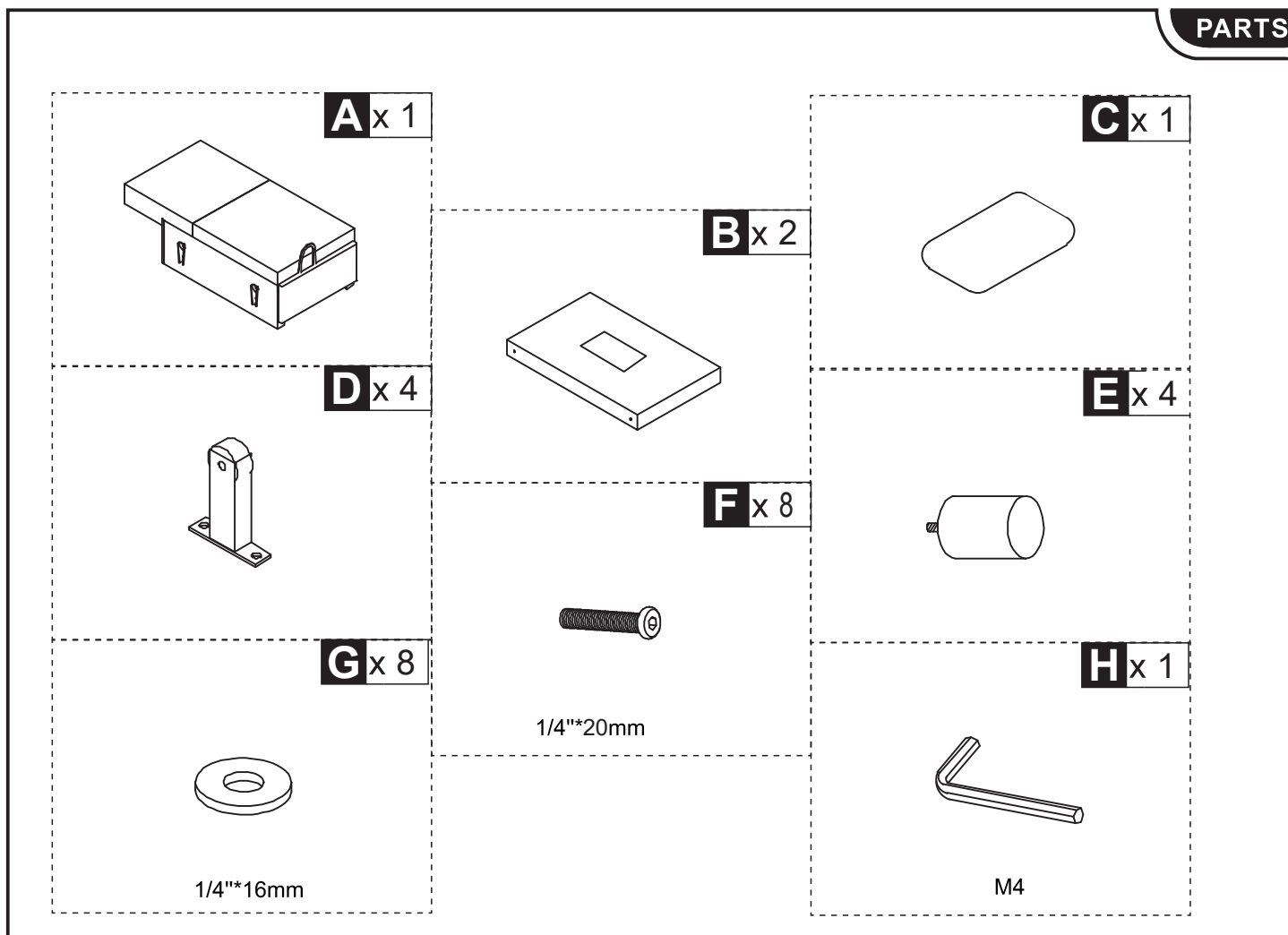


# Convertible Sofa Chair

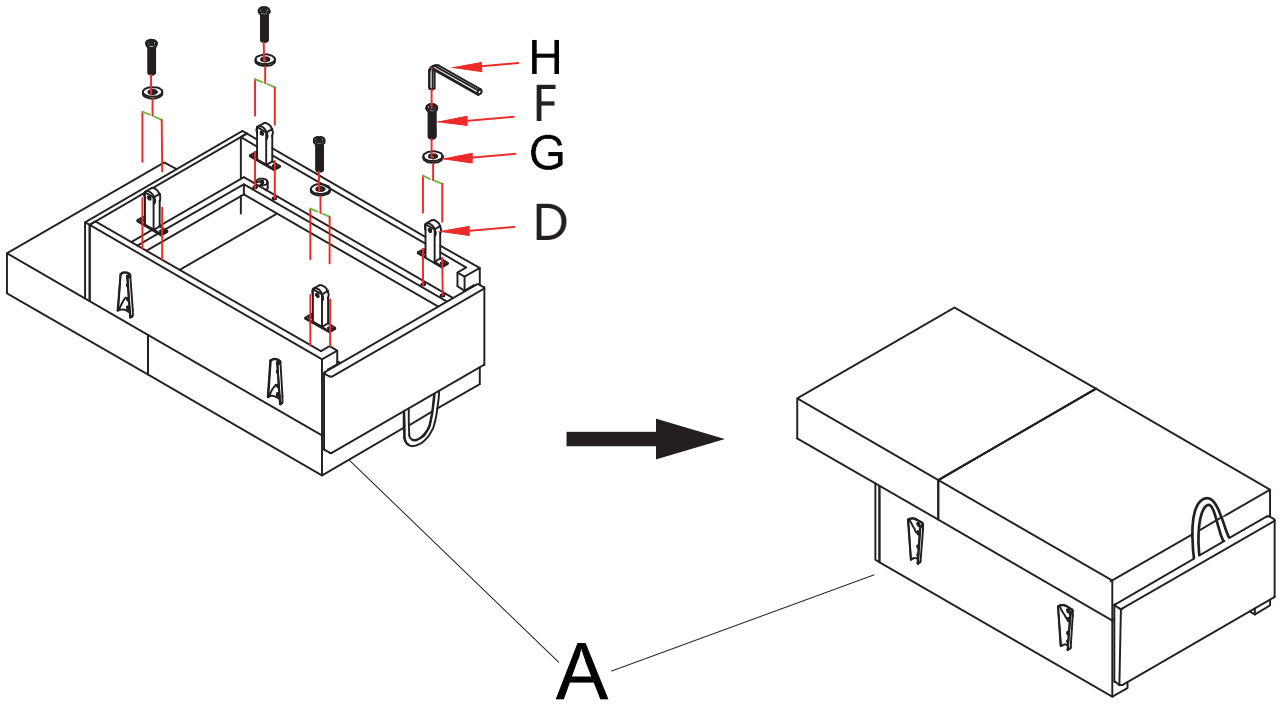


## SOFA

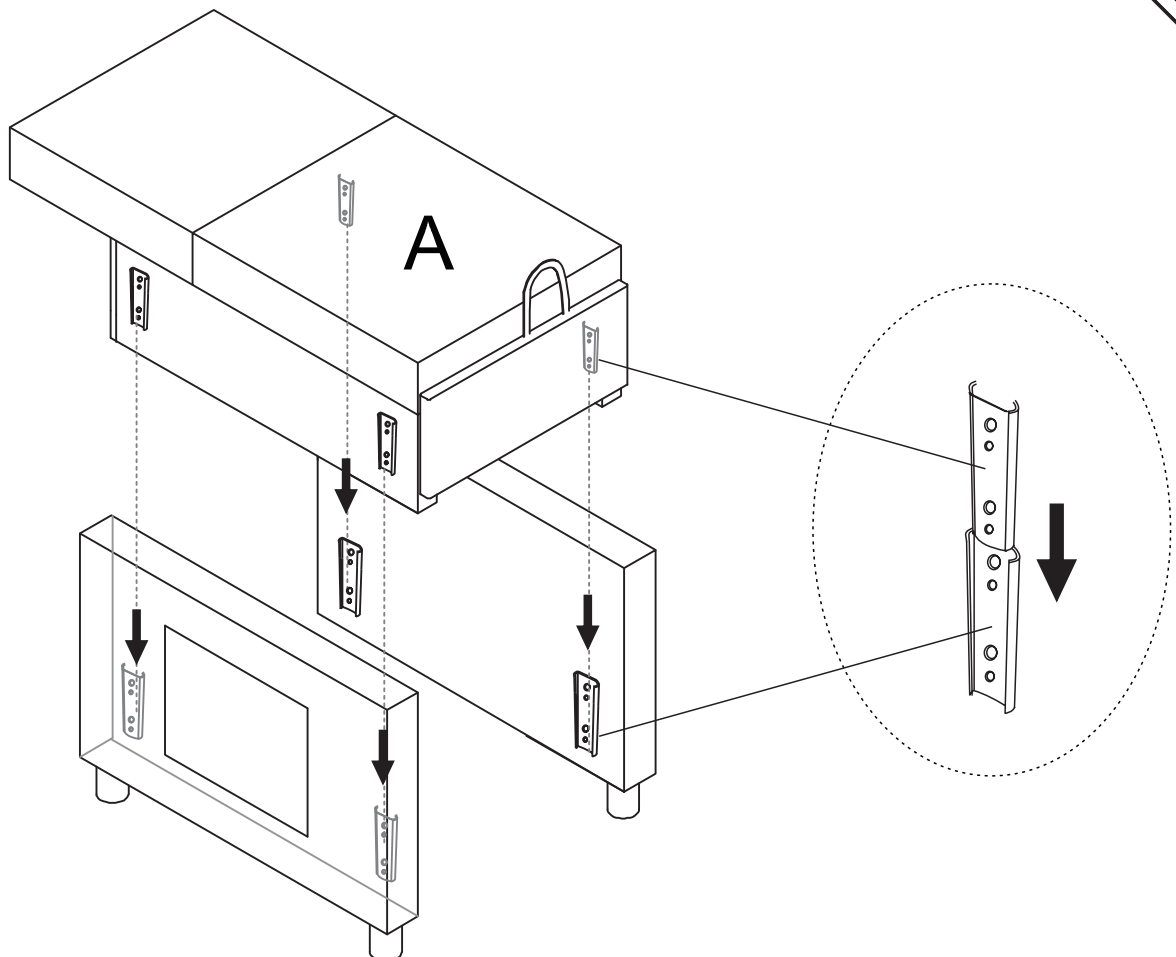
ASSEMBLY & INSTRUCTION MANUAL



Install the 4 legs of the sofa chair armrests



Install the 4 wheels of the sofa chair



Attach the main body of the sofa chair to the armrests (Recommended to be done by two people)

