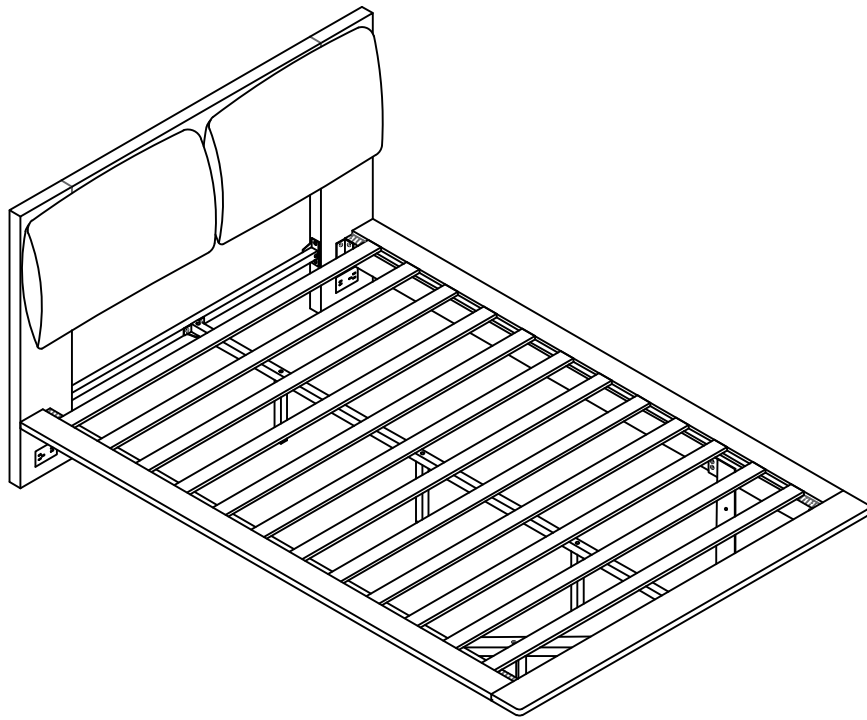
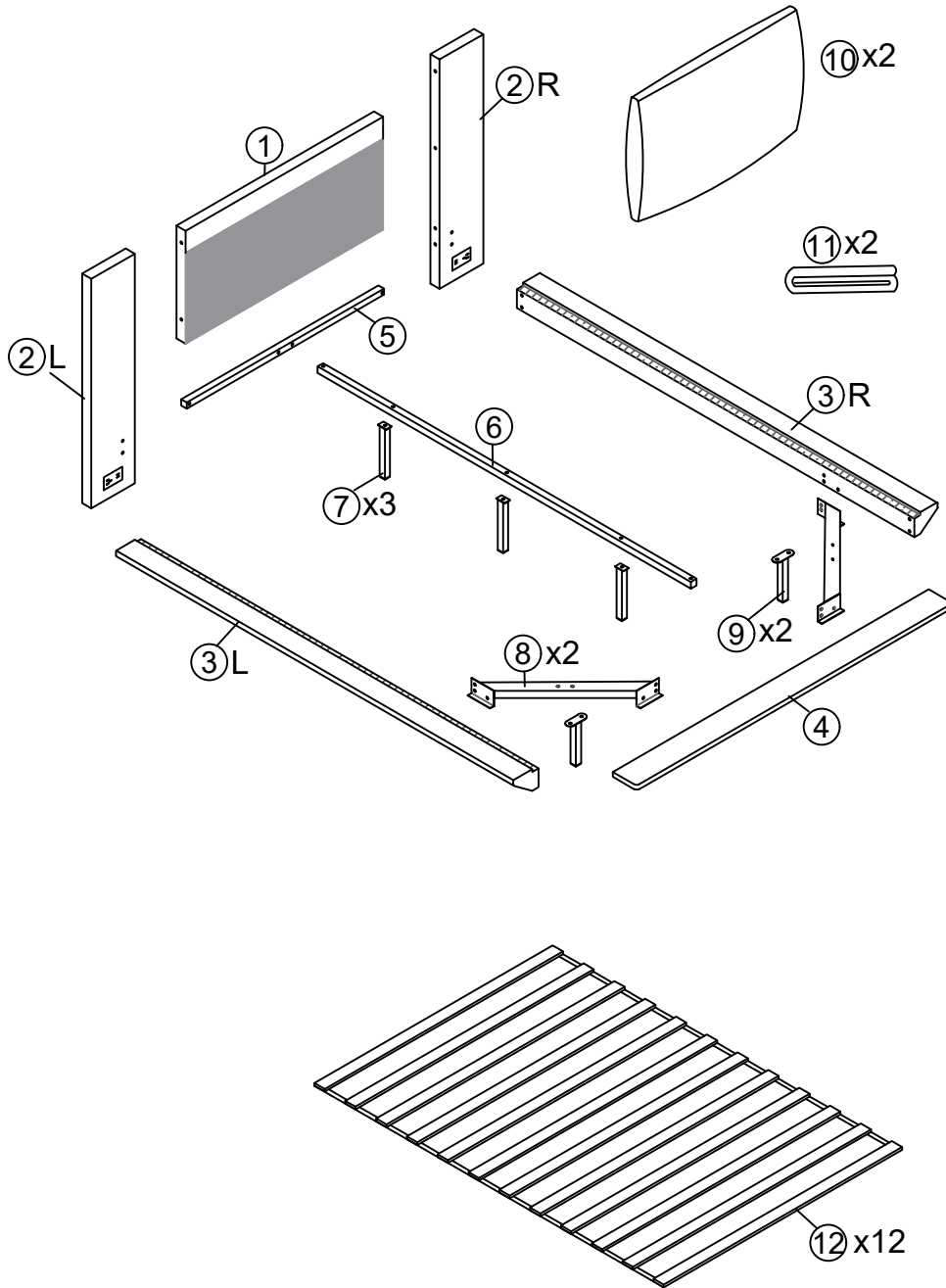


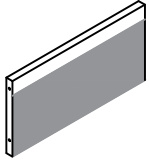

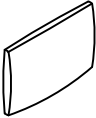
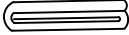
ASSEMBLY INSTRUCTION



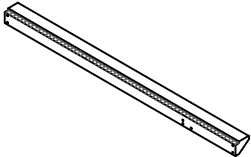


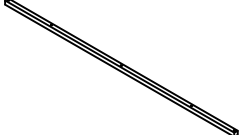


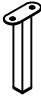
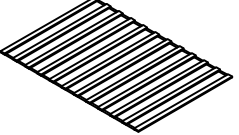
Detail View





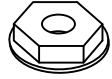

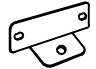
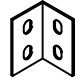

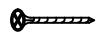


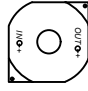



Part List

<p>1</p>  <p>Head board-1pc</p>	<p>2</p>  <p>Side head board-2pcs</p>	<p>10</p>  <p>Pillow core-2pcs</p>
<p>11</p>  <p>Pillowcase-2pcs</p>		

Hardware List + Part list

<p>3</p>  <p>Siderails-2pcs</p>	<p>4</p>  <p>Foot board-1pc</p>	<p>5</p>  <p>Head board cross bar-1pc</p>
<p>6</p>  <p>Center support bar-1pc</p>	<p>7</p>  <p>Middle support leg-3pcs</p>	<p>8</p>  <p>Leg support bar-2pcs</p>
<p>9</p>  <p>Leg-2pcs</p>	<p>12</p>  <p>Slats -12pcs</p>	

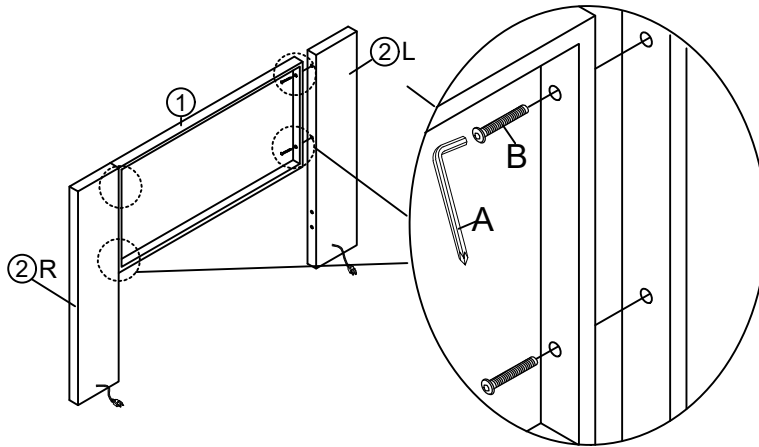
Hardware List


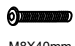
<p>A</p>  <p>Allen Key(1pc)</p>	<p>B</p>  <p>Ø8*40mm</p> <p>Bolts(15pcs)</p>	<p>C</p>  <p>M8</p> <p>Nuts(4pcs)</p>
<p>D</p>  <p>Ø8*18mm</p> <p>Bolts(36pcs)</p>	<p>E</p>  <p>86*32*28*2mm</p> <p>Center support bar fittings(4pcs)</p>	<p>F</p>  <p>77*33**33*2mm</p> <p>"7" Connector(4pcs)</p>
<p>G</p>  <p>Spanner(1pc)</p>	<p>H</p>  <p>Ø3*16mm</p> <p>Nails(36pcs)</p>	<p>I</p>  <p>20*6mm</p> <p>Buckle(16pcs)</p>
<p>J</p>  <p>LED(1pc)</p>	<p>K</p>  <p>Senso(2pcs)</p>	<p>L</p>  <p>Led power adapter(1pc)</p>
<p>M</p>  <p>Sensor cable(1pc)</p>	<p>N</p>  <p>Power cable(1pc)</p>	

Attention: Do not tighten the screws before completing the entire installation. If you have any difficulty with the installation process, please feel free to contact us.

Step 1 x2

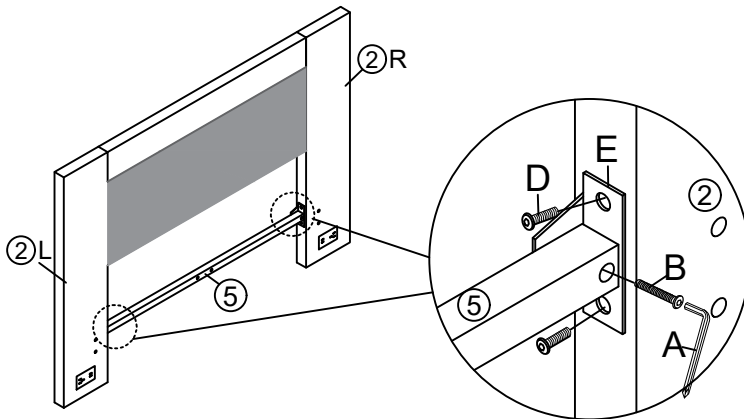
Fix the Side head board ② to the Headboard ① with Bolts B by using Allen key A.







A Allen Key	B Bolts x 4
	 M8X40mm

Step 2 x2

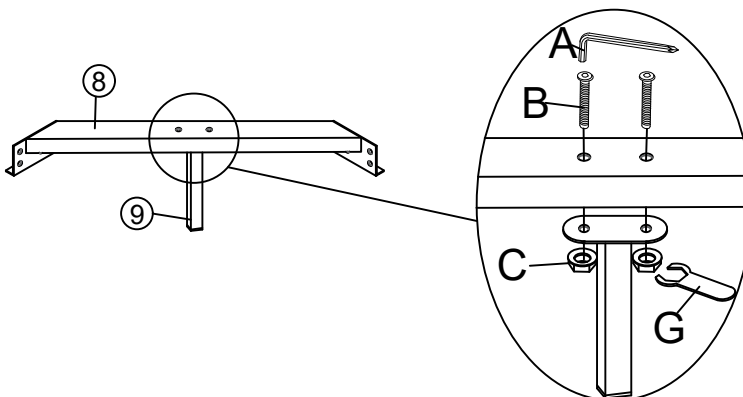
Fix the Center support bar fittings E to the side headboard ② with Bolts D by using Allen key A.
Fix the headboard cross bar ⑤ to Center support bar fittings E with Bolts B by using Allen key A.







Allen Key	B Bolts x 2	D Bolts x 4	E Center support bar fittings x2
	 M8X40mm	 M8X18mm	

Step 3 x2

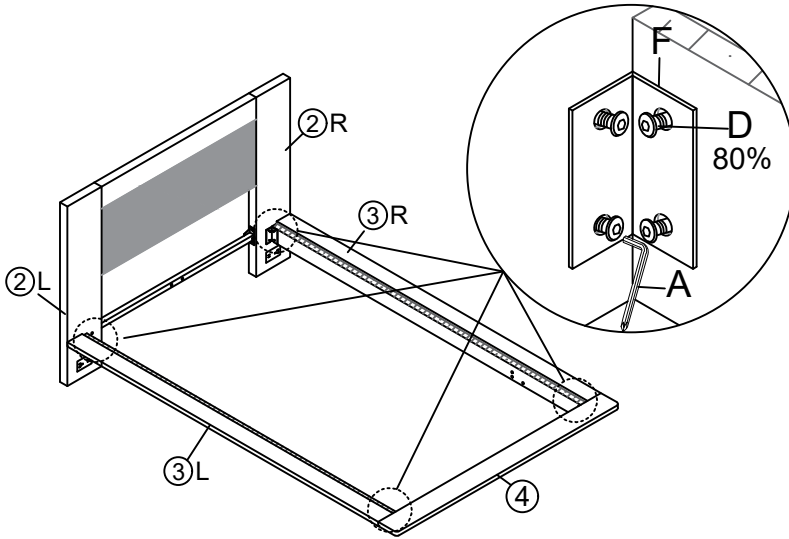
Fix the Legs ⑨ to the Leg support bar ⑧ with Bolts B and Nuts C by using Allen key A and Spanner G.






Allen Key	B Bolts x 4	C Nuts x 4	G Spanner x 4
	 M8X40mm		

Step 4

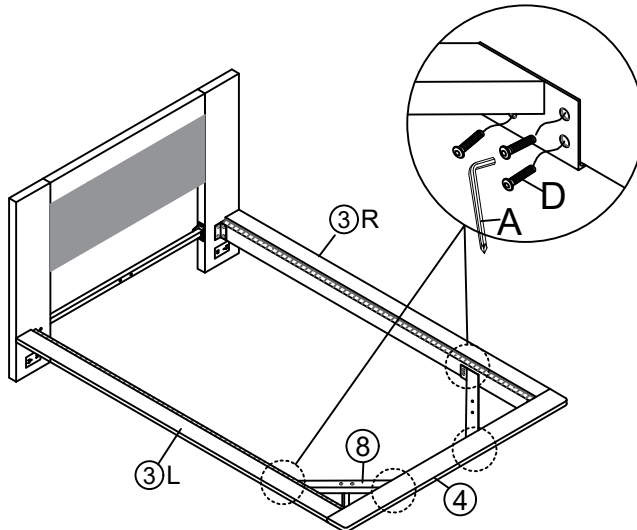
Fix the Siderail ③ to the side headboard ② and foot board ④ with Bolts D and "7" Connector F by using Allen key A. Please notice that don't install all the screws, just install 80% of them.





Allen Key 	D Bolts x 16  M8X18mm	F "7" Connector x 4 
-------------------------------------------------------------------------------------------------	----------------------------------------------------------------------------------------------------------------	------------------------------------------------------------------------------------------------------------

Step 5

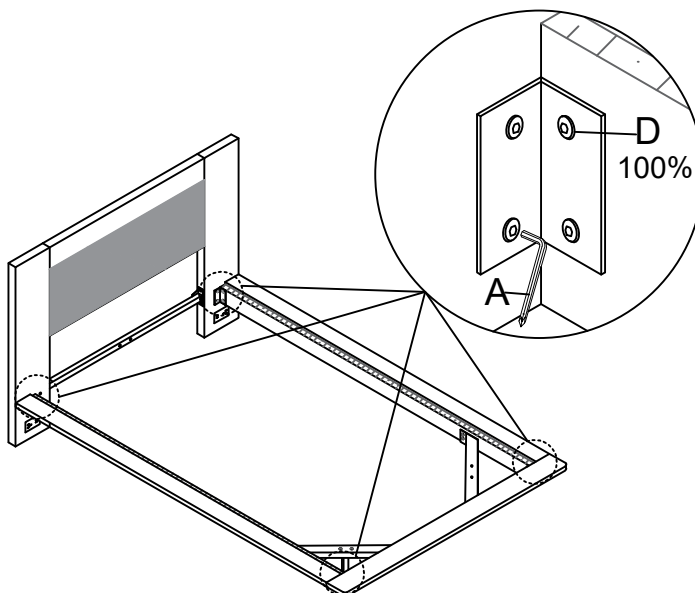
Fix the Leg support bar ⑧ to the Siderails ③ and footboard ④ with Bolts D by using Allen key A.




Allen Key 	D Bolts x 12  M8X18mm
----------------------------------------------------------------------------------------------------	------------------------------------------------------------------------------------------------------------------

Step 6

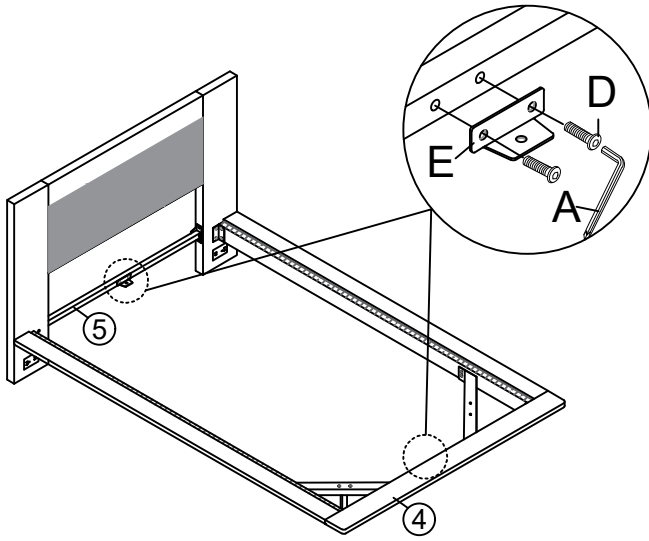
Please install all of the screws by using Allen key A now.






Allen Key 

Step 7

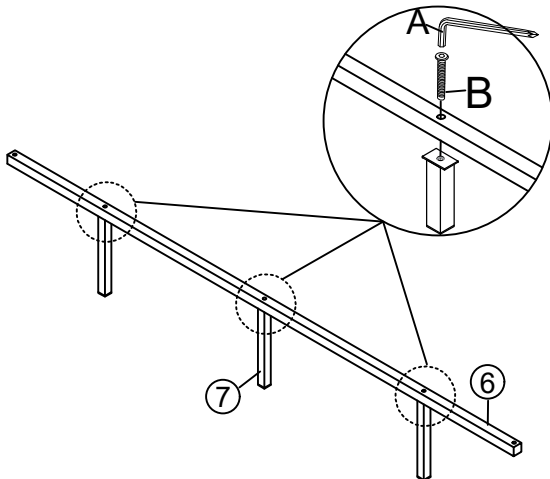
Fix the Center support bar fittings E to the Headboard cross bar ⑤ and foot board ④ with Bolts D by using Allen key A





Allen Key 	D Bolts x 4  M8X18mm	E Center support bar fittings x2 
-------------------------------------------------------------------------------------------------	---------------------------------------------------------------------------------------------------------------	-------------------------------------------------------------------------------------------------------------------------

Step 8

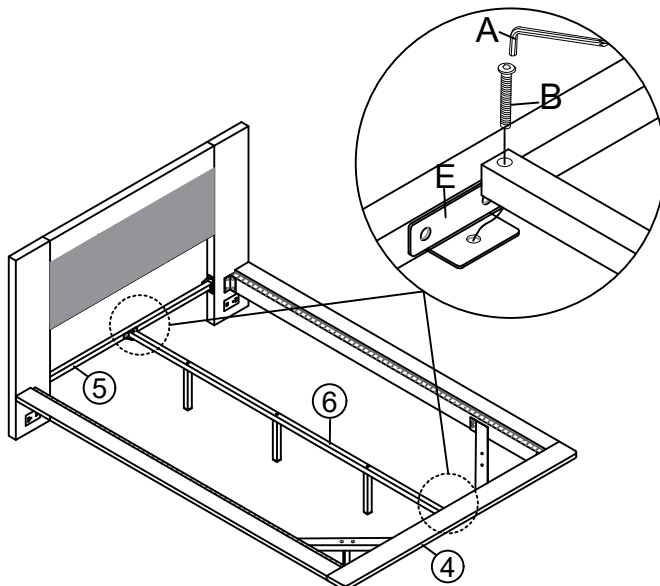
Fix the middle support leg ⑦ to the center support bar ⑥ with Bolts B by using Allen key A.





Allen Key 	B Bolts x 3  M8X40mm
----------------------------------------------------------------------------------------------------	-----------------------------------------------------------------------------------------------------------------

Step 9

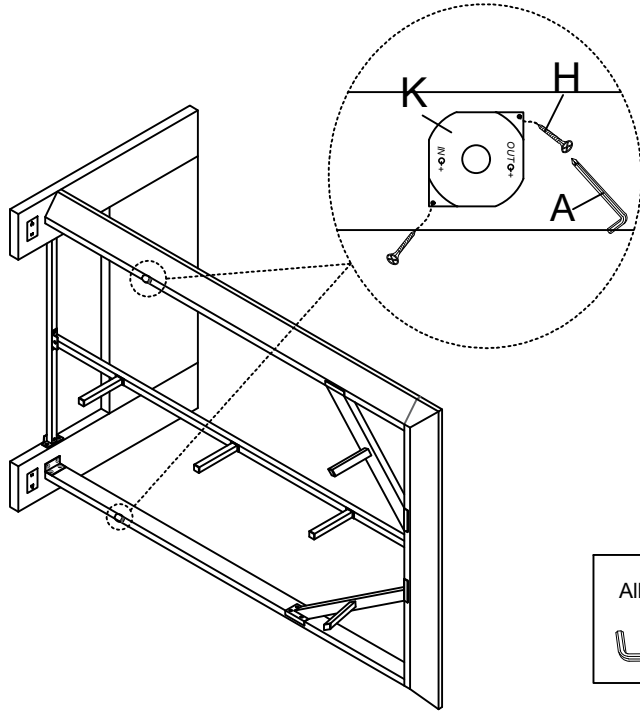
Fix the Center support bar ⑥ to the headboard cross bar ⑤ and foot board ④ with Bolts B by using Allen key A


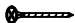



Allen Key 	B Bolts x 2  M8X40mm
----------------------------------------------------------------------------------------------------	-----------------------------------------------------------------------------------------------------------------

Step 10

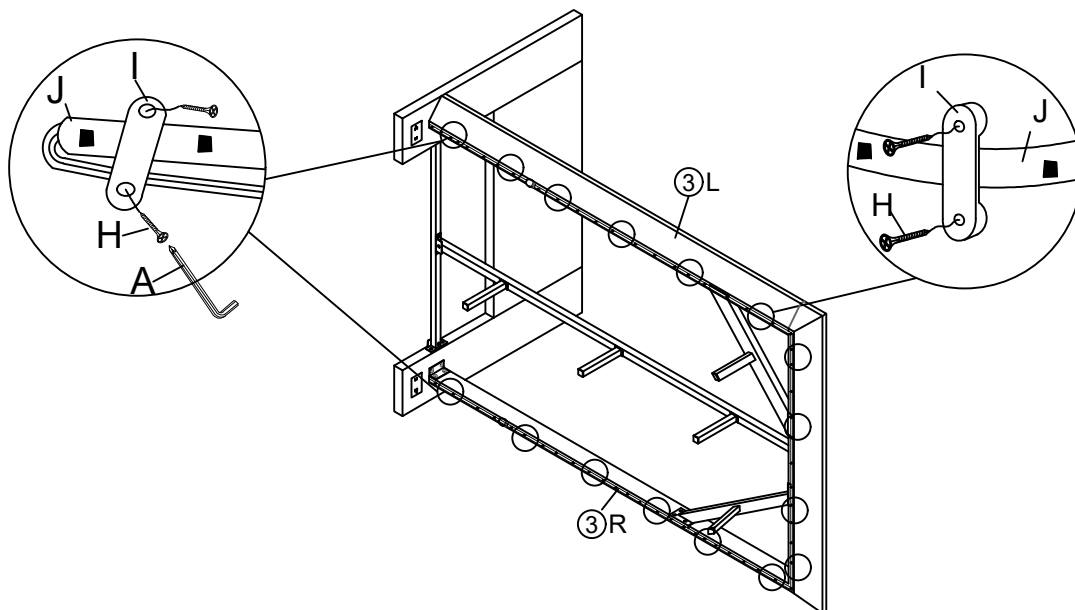
Fix the Senso K to the siderails ③ with Nails H by using Allen key or Electric drill. The position of the Senso is 12"-20" from the headboard. You can adjust the position of your feet when you usually get out of the bed.


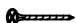




Allen Key 	H Nails x 4  M3X16mm	K Senso x 2 
-------------------------------------------------------------------------------------------------	---------------------------------------------------------------------------------------------------------------	----------------------------------------------------------------------------------------------------

Step 11

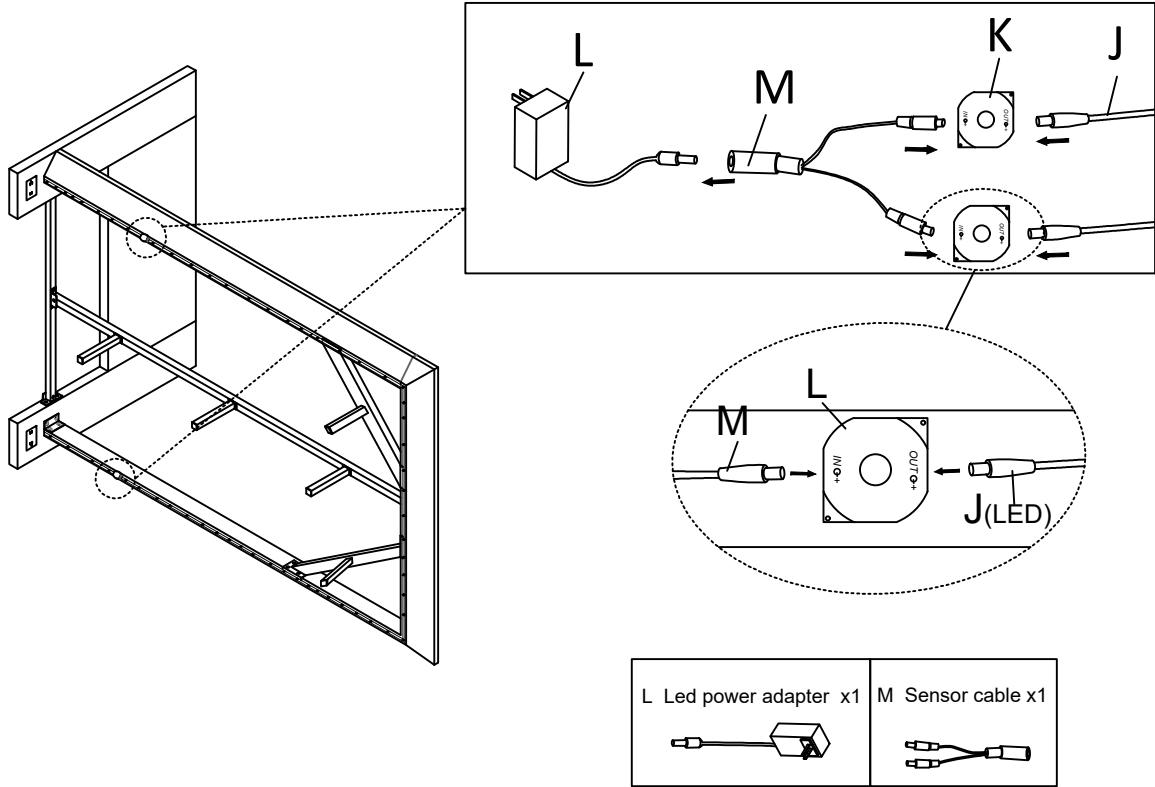
Fix the Led J to the siderails ③ and footboard ④ with Nails H and Buckle I by using Allen key A or Electric drill. You also can fix the line of the Senso to the siderails ③ with Buckle I.



Allen Key 	H Nails x 32  M3X16mm	I Buckle x 16 	J LED x 1 
--------------------------------------------------------------------------------------------------	-----------------------------------------------------------------------------------------------------------------	--------------------------------------------------------------------------------------------------------	----------------------------------------------------------------------------------------------------

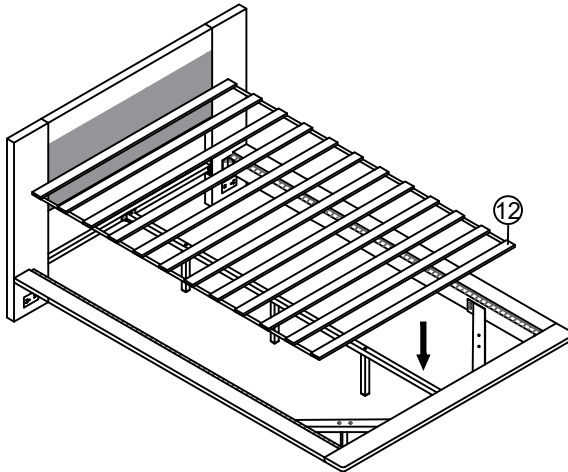
Step 12

Connect LED J to the Senso K, please notice that put LED J into out+ and put the Sensor cable M into in+, then connect the Sensor cable M to the Led power adapter L.



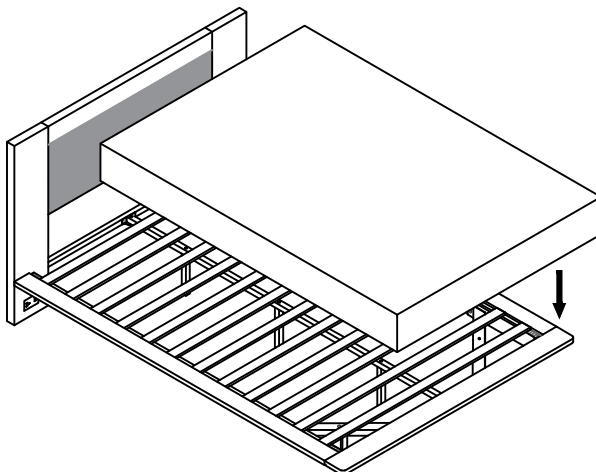
Step 13

Fix the slats ⑫ to the side rails.



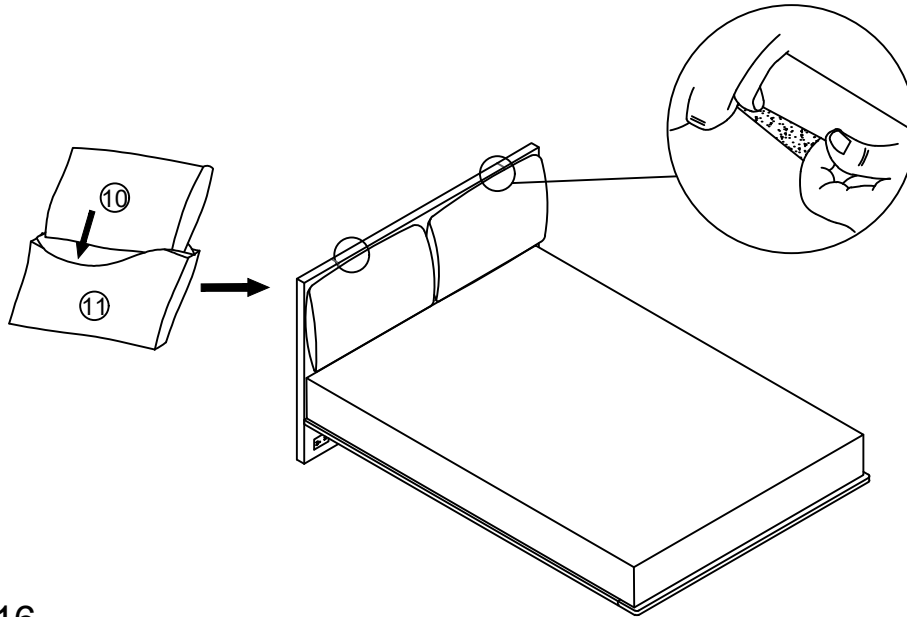
Step 14

Put your mattress on your bed.



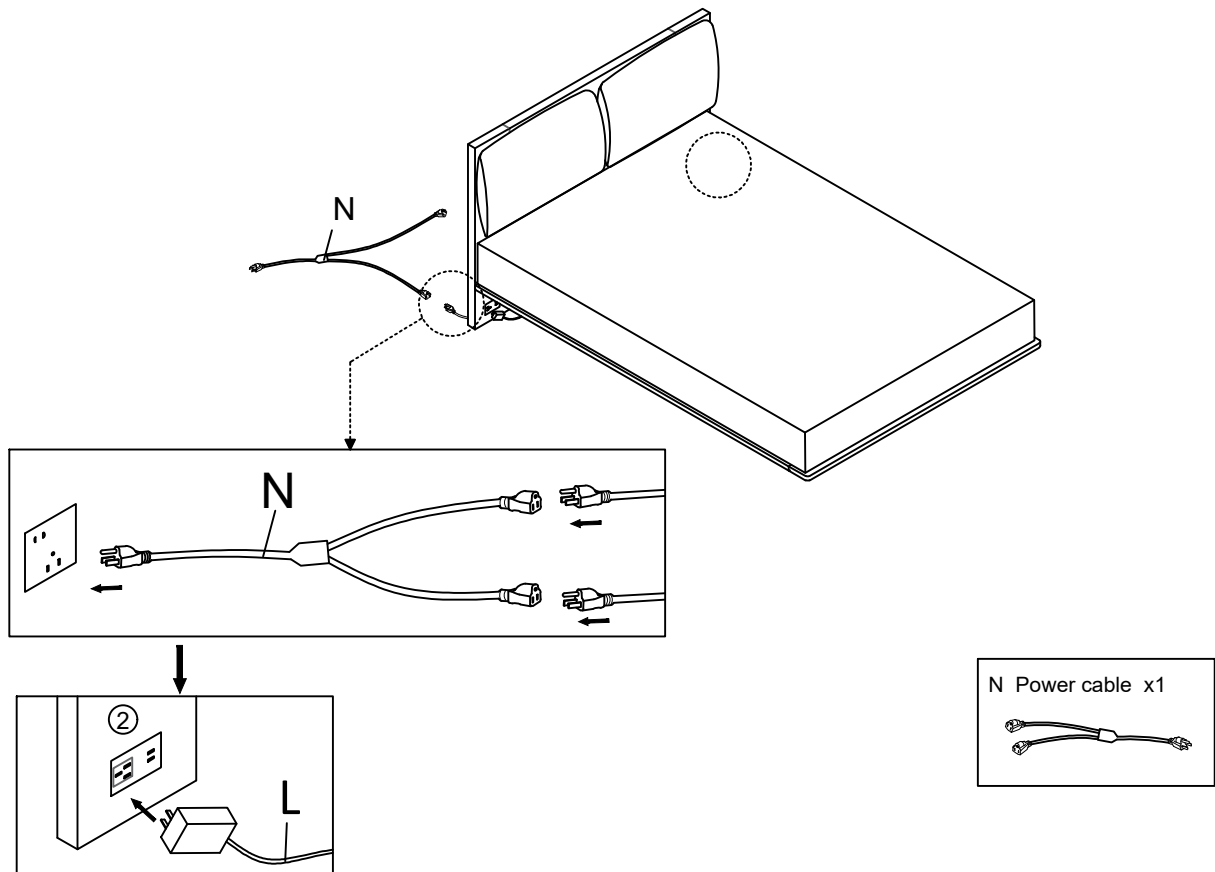
Step 15

Put the Pillow core ⑩ into Pillowcase ⑪, then stick the pillow to the headboard.



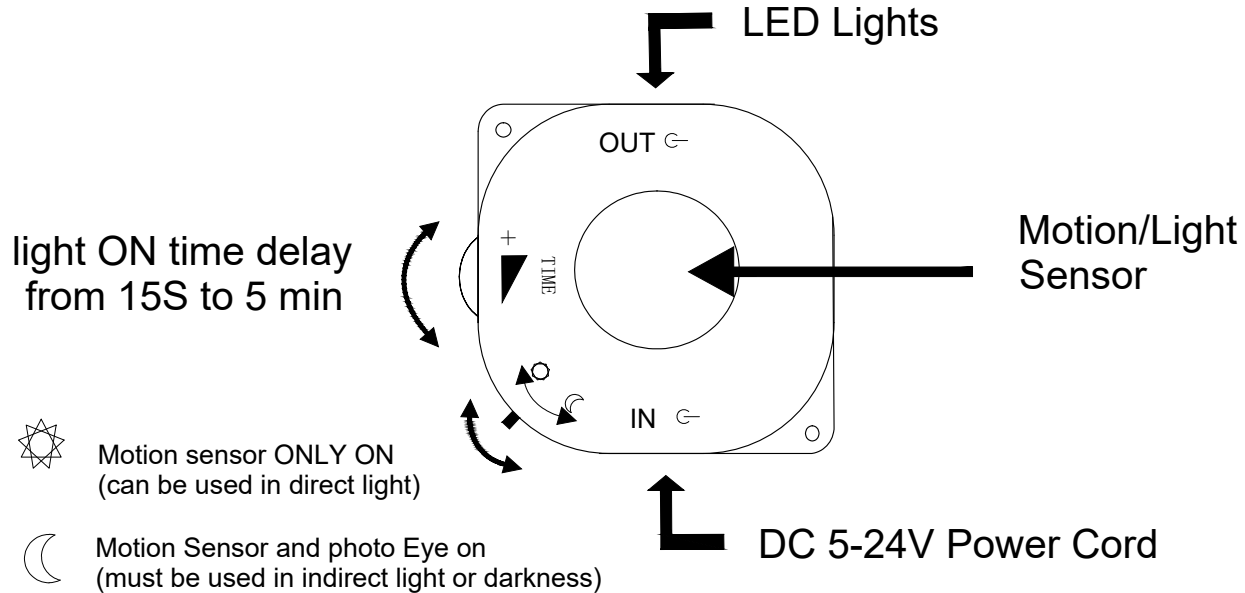
Step 16

Connect the Socket line to the Power cable N and connect the power supply. At last connect the Led power adapter L to the Socket under the headboard, then assembled is finished and please enjoy your bed.



MOTION SENSOR SWITCH

INSTALLATION INSTRUCTIONS



1. Don't install in a place with strong wind and heat to avoid any false triggering
2. The operating temperature should be $-5^{\circ}\text{C}\sim 40^{\circ}\text{C}$. otherwise there may be false triggering.
3. The sensor is not waterproof; don't install it in any place with heavy water and humidity.