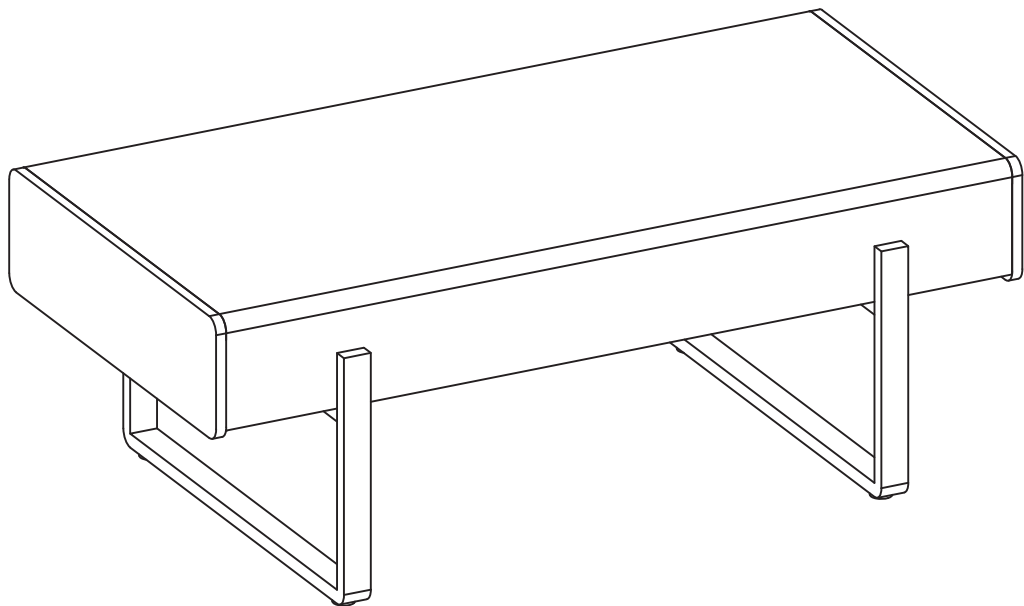


Sleigh-Leg Wood Coffee Table with Drawer and Iron Base



NOTICE

Please keep these instructions for future reference.

Dear Customer

● Thank you for your purchase. When you receive the product, please make sure that all the parts are intact. If any parts are missing, please contact us promptly to request replacement parts.

● Then follow the entire installation instructions to install.

● Each part is crucial, so please be careful not to lose any. It is recommended to store parts with different lettered identifiers in separate boxes or bags to avoid confusion during installation.

A . The outer box is damaged

B . The product is damaged / bent / cracked while you open the box

C . The parts / accessories / assembly tools are missing

D . The instructions are not clear and can not be referred

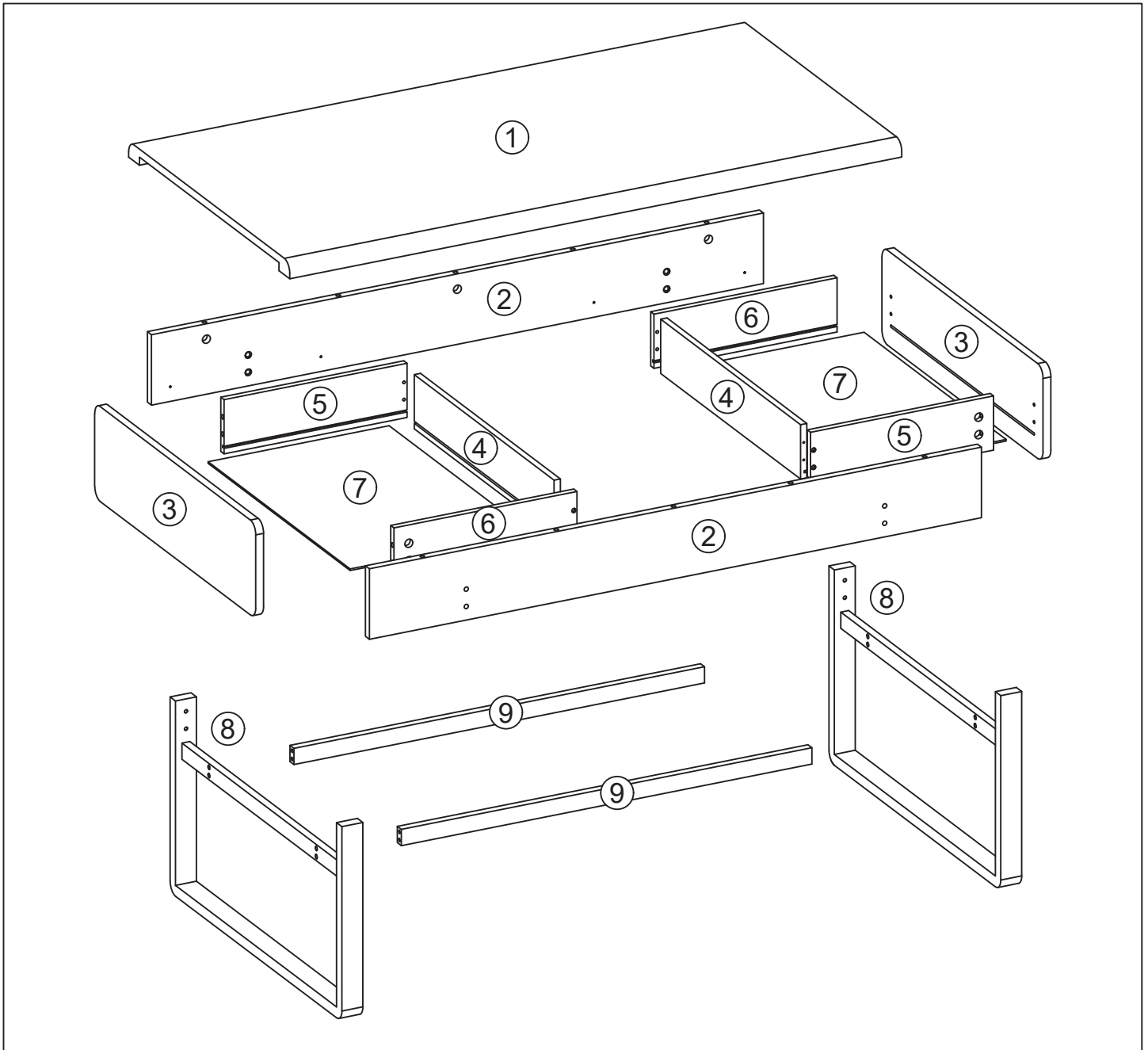
E . The product has functional problems

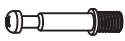


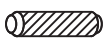
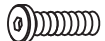
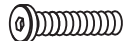


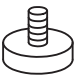


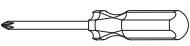
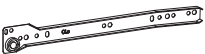
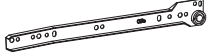
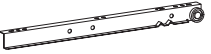
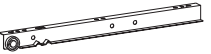
F . Other aspects that you are not satisfied with

Please feel free to contact us for help, and provide the following information:

Platform/Shop name|Order ID|buyer's name/ receiver's address/Problem description.

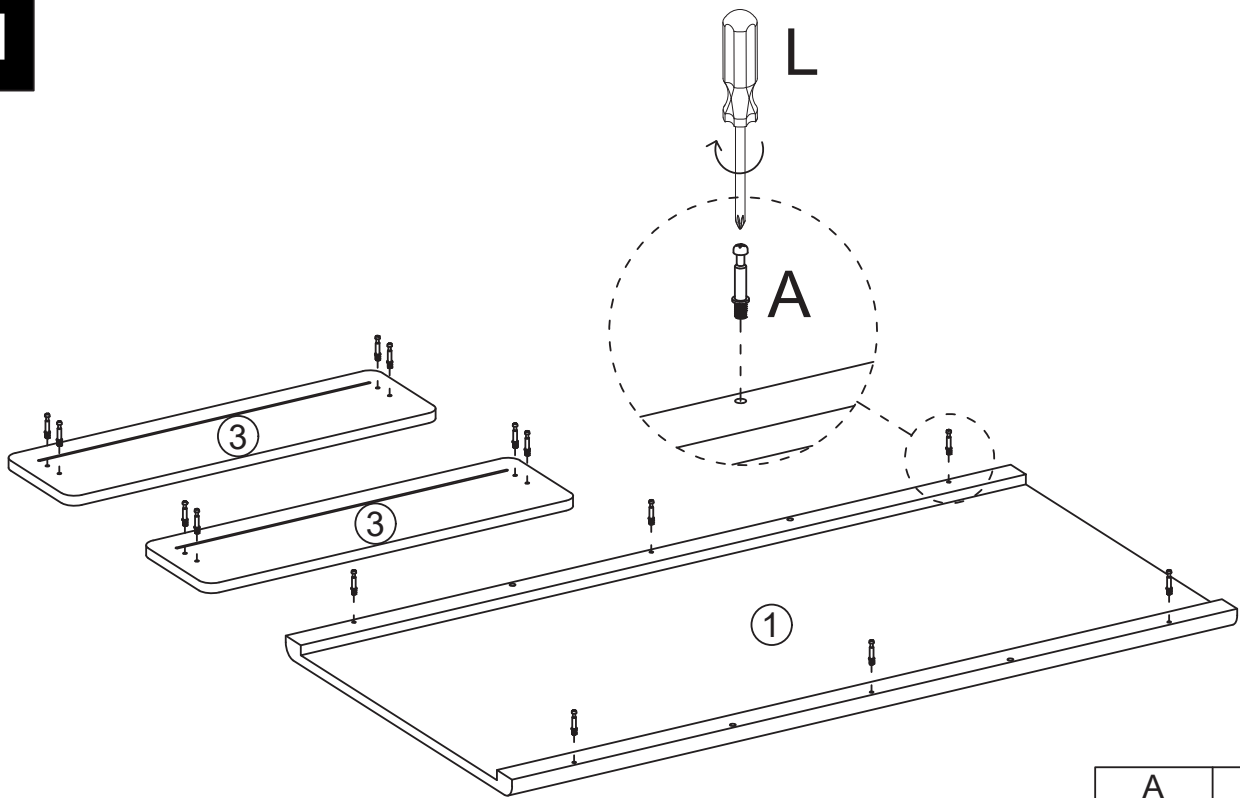
PART LIST

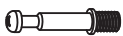


A	X14+1	B	X8	C	X6	D	X4	E	X8	F	X8
											
Ø6×35mm		Ø15×10mm		Ø15×12mm		Ø8×30mm		M6×25mm		M6×35mm	
G	X16+1	H	X8	I	X4	J	K	X1	L	X1	
											
3.5×14mm		4×35mm						M4		M4	
CL	X2	CR	X2	DL	X2	DR	X2				
											
L350mm		L350mm		L350mm		L350mm					

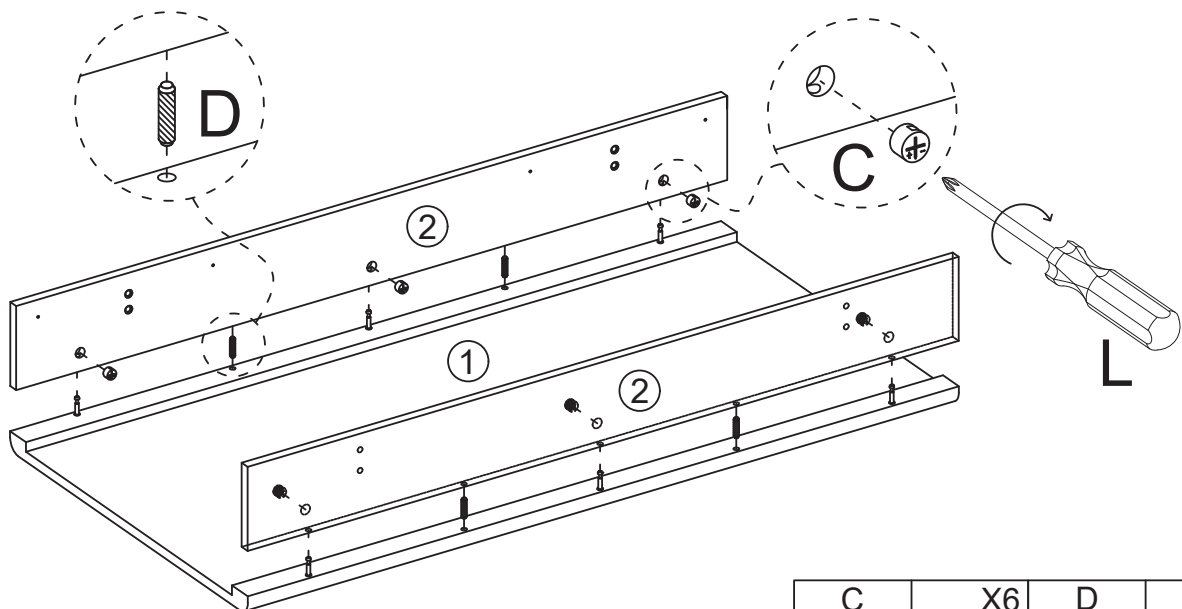
STEP



01



A	X14
	
Ø6×35mm	

02

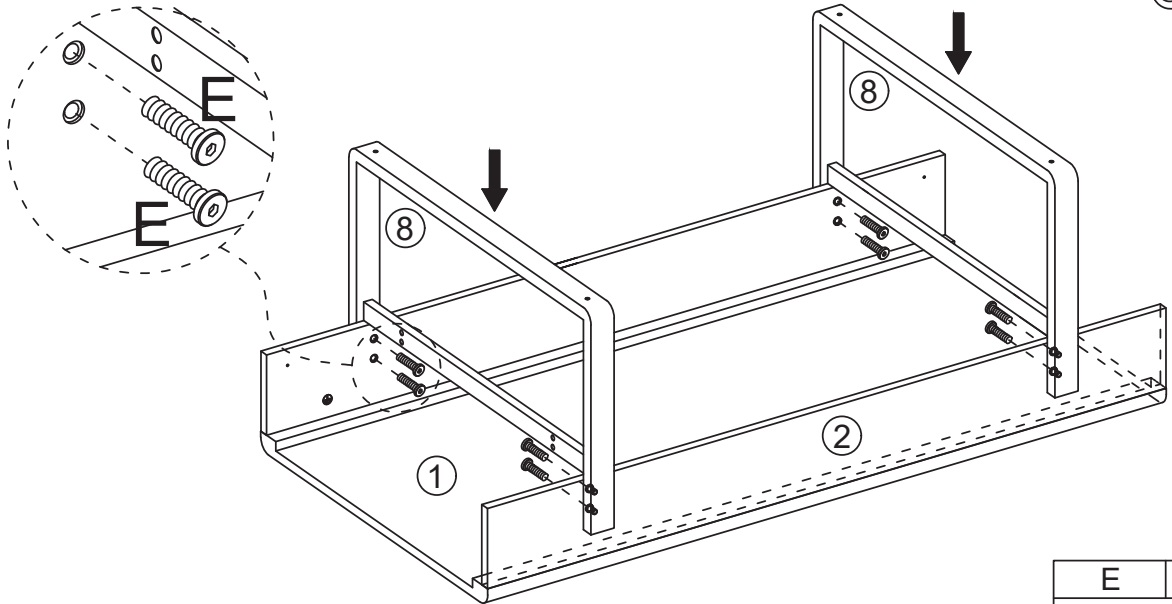
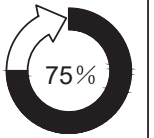



C	X6	D	X4
			
Ø15×12mm		Ø8×30mm	

03

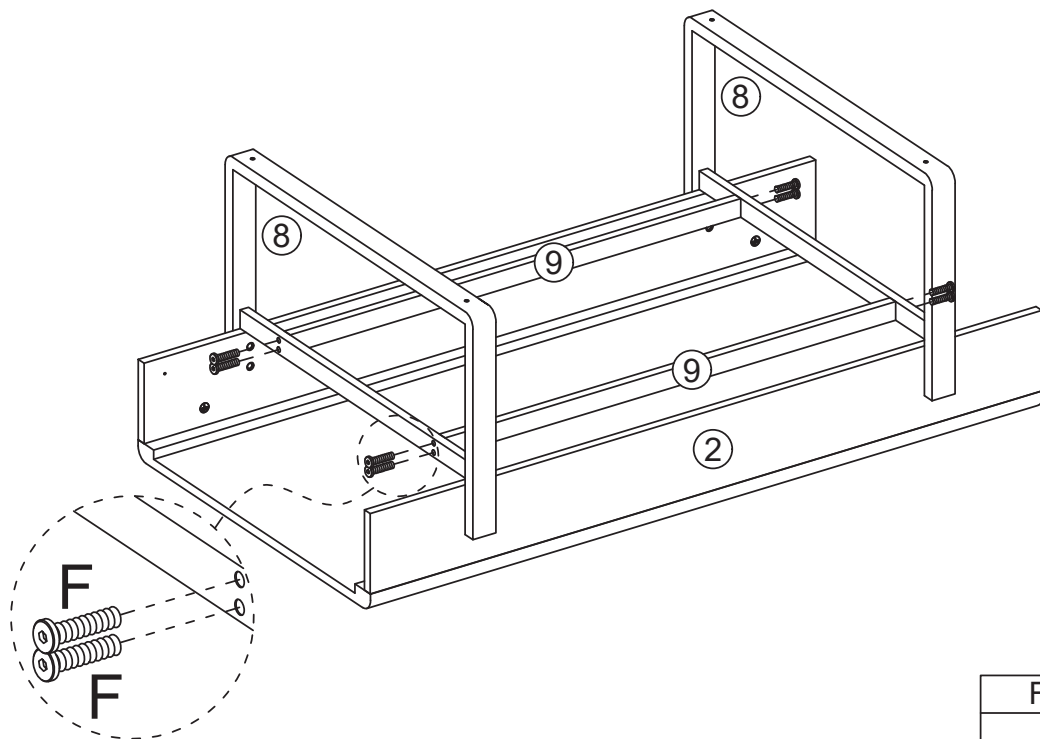
STEP


03



E	X8
	
M6x25mm	

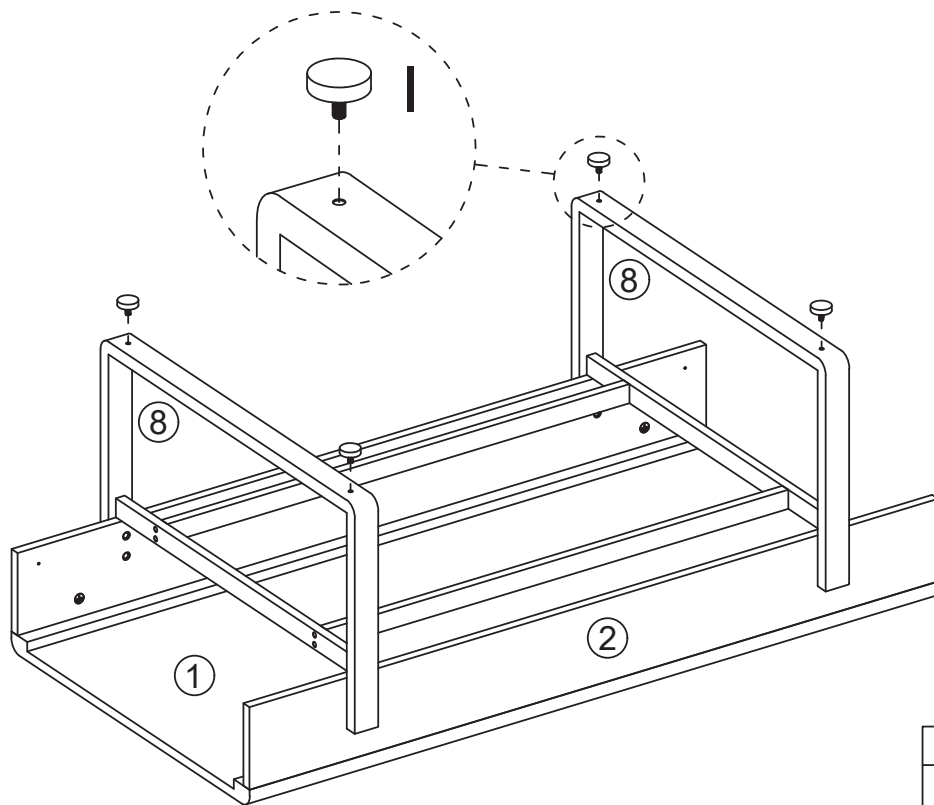
04



F	X8
	
M6x35mm	

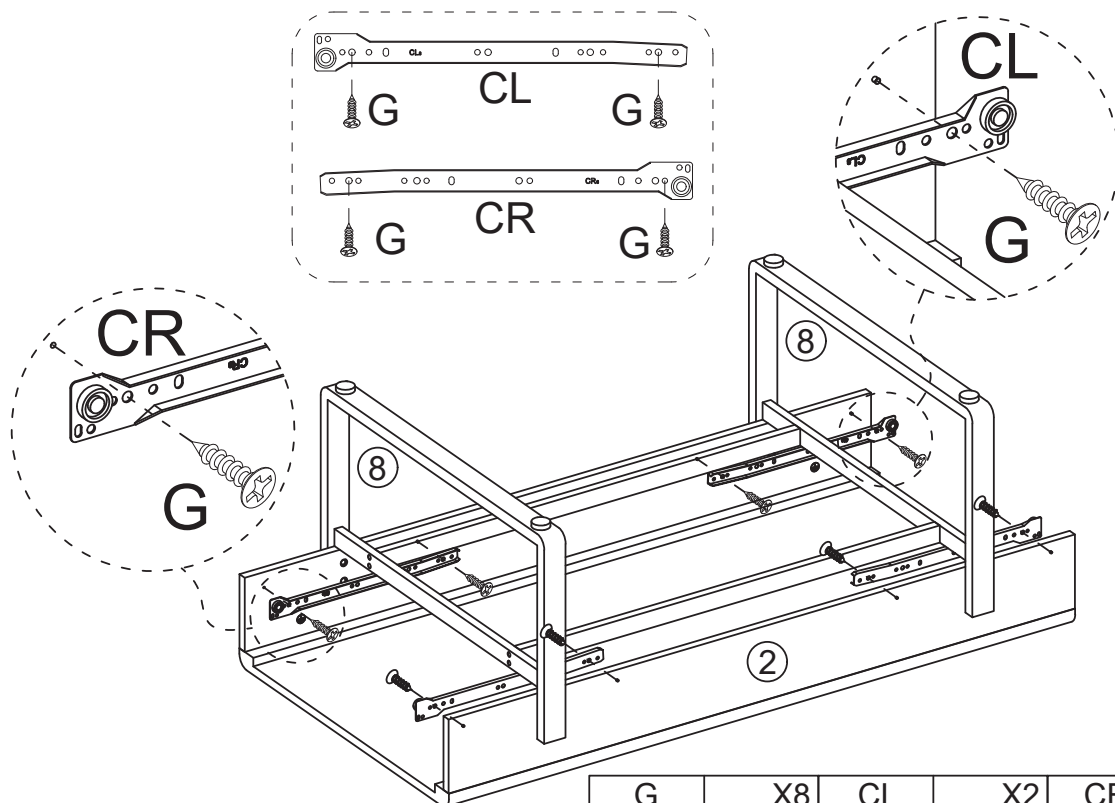
STEP

05



I	X4

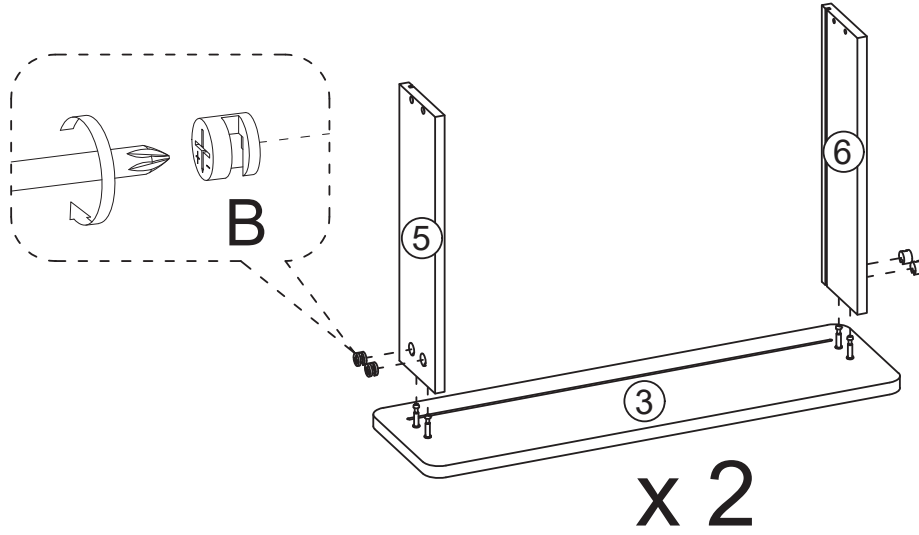
06




G	X8	CL	X2	CR	X2
3.5×14mm		L350mm		L350mm	

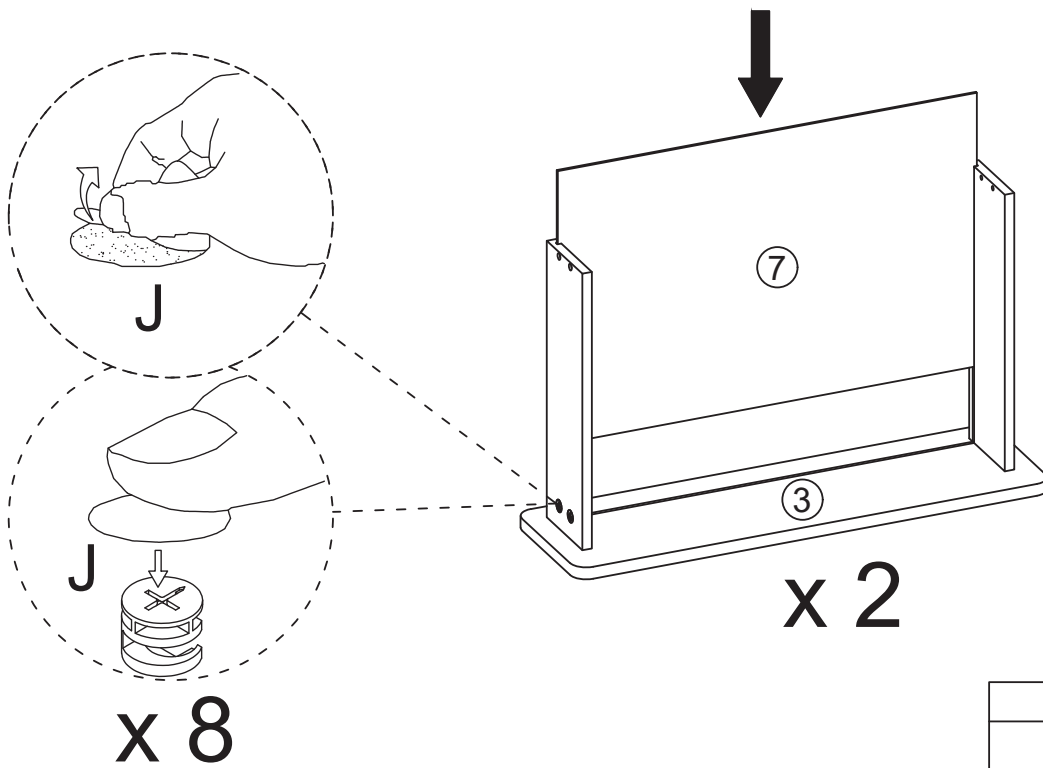
STEP


07



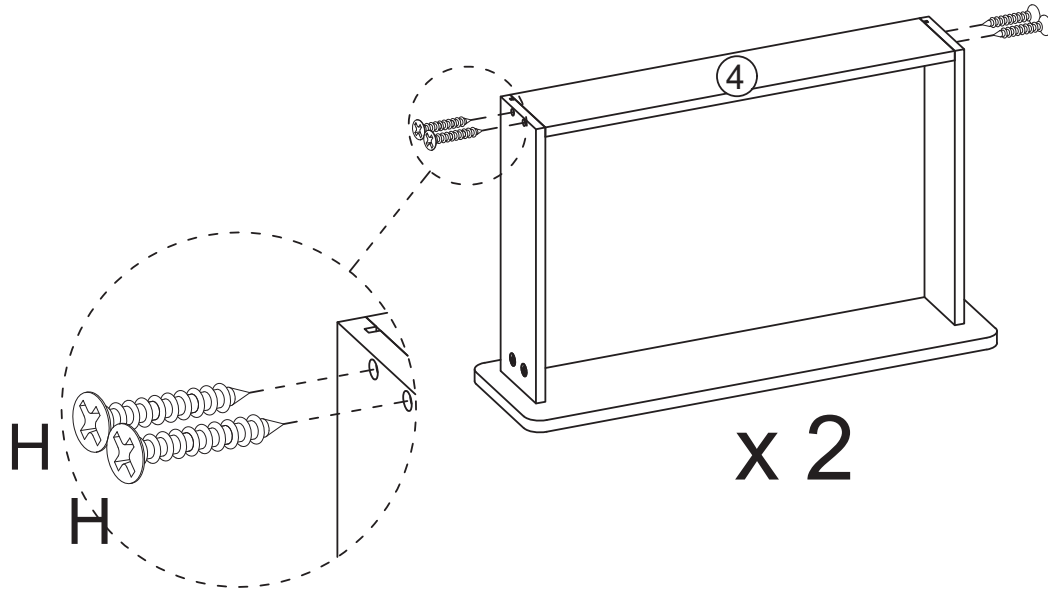
B	X8
	
Ø15×10mm	


08



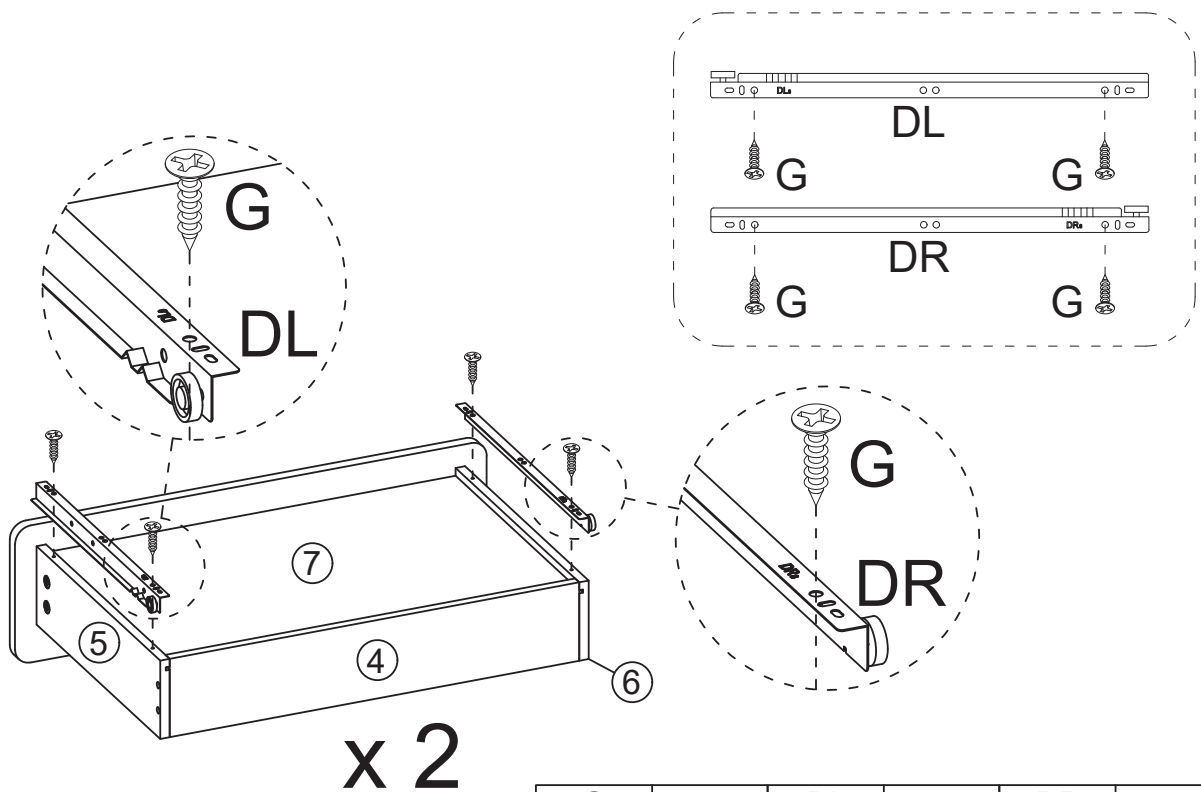
J	X8
	


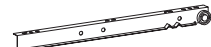

09



H	X8
	
4×35mm	

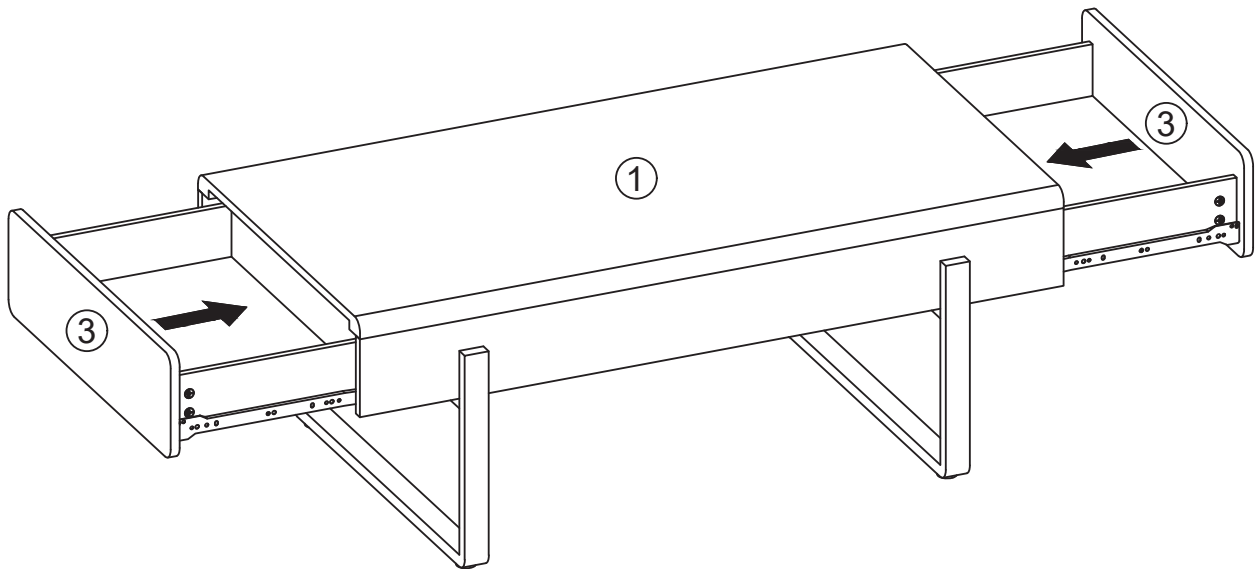
10



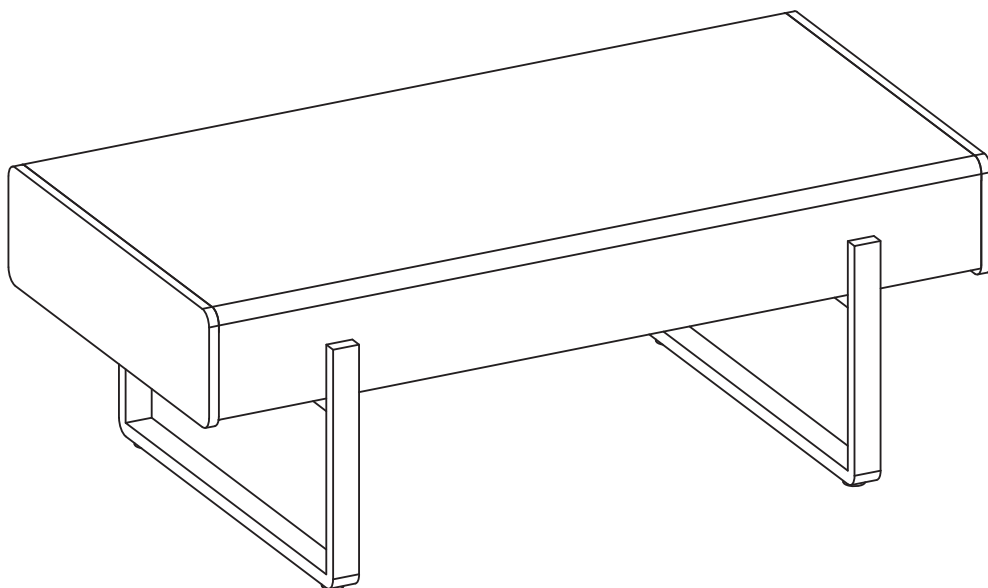
G	X8	DL	X2	DR	X2
					
3.5×14mm		L350mm		L350mm	

STEP

11



12



AFTER-SALE SERVICE

If you have any suggestions for our products or notice any quality issues, please contact us first. Our after-sales team will respond within 24 hours and will do everything possible to provide you with a satisfactory solution.

Guaranteed Customer Service

Your shopping experience is very important to us!

Feel unsatisfied? **Contact us!**

Have any questions? **Contact us!**

Wanna Share how wonderful our smart products make your home?

Share your pictures with us.

Any suggestions? **Contact us!**

We will check and give feedback.