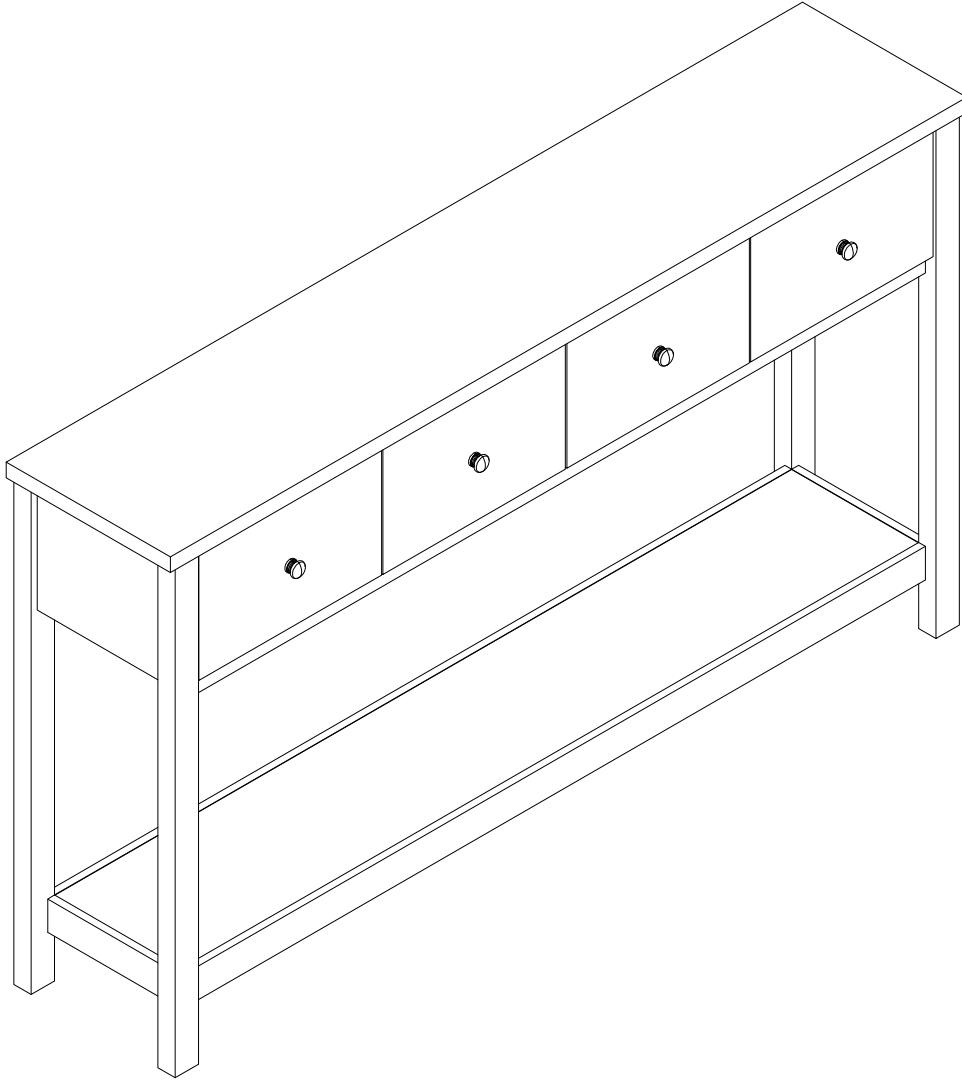


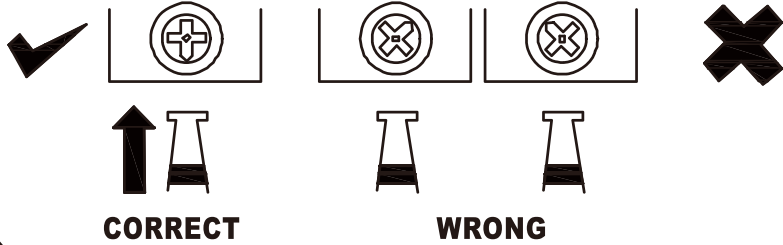
INSTRUCTION MANUAL



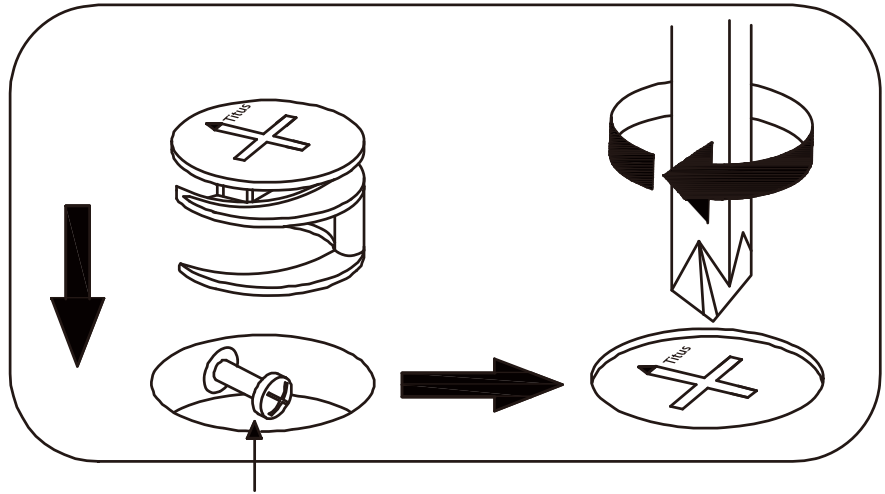
**We stand behind we sell. If you are not satisfied with your purchase
you can return it for a replacement or refund.
For any further question don t hesitate to contact us.**

SPECIAL TIPS FOR FITTING CAM-LOCKS AND QUICKFIT

WHEN FITTING CAMLOCK
ENSURE STARTING POSITION IS CORRECT
BEFORE YOU INSERT CONNECTING QUICKFIT
TURN CLOCKWISE UNTIL SECURE



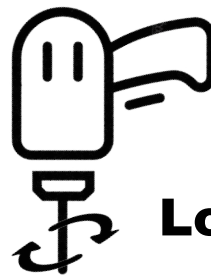
CAM-LOCK



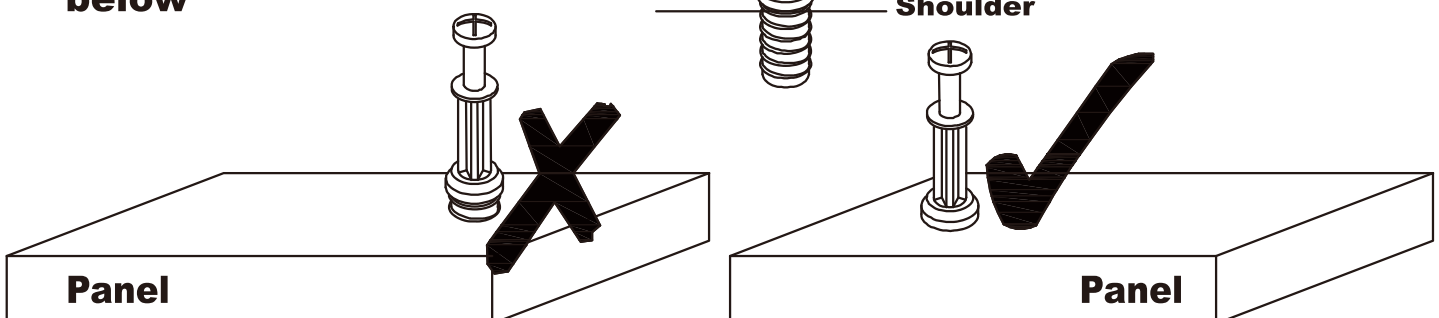
Quickfit head needs to be in centre

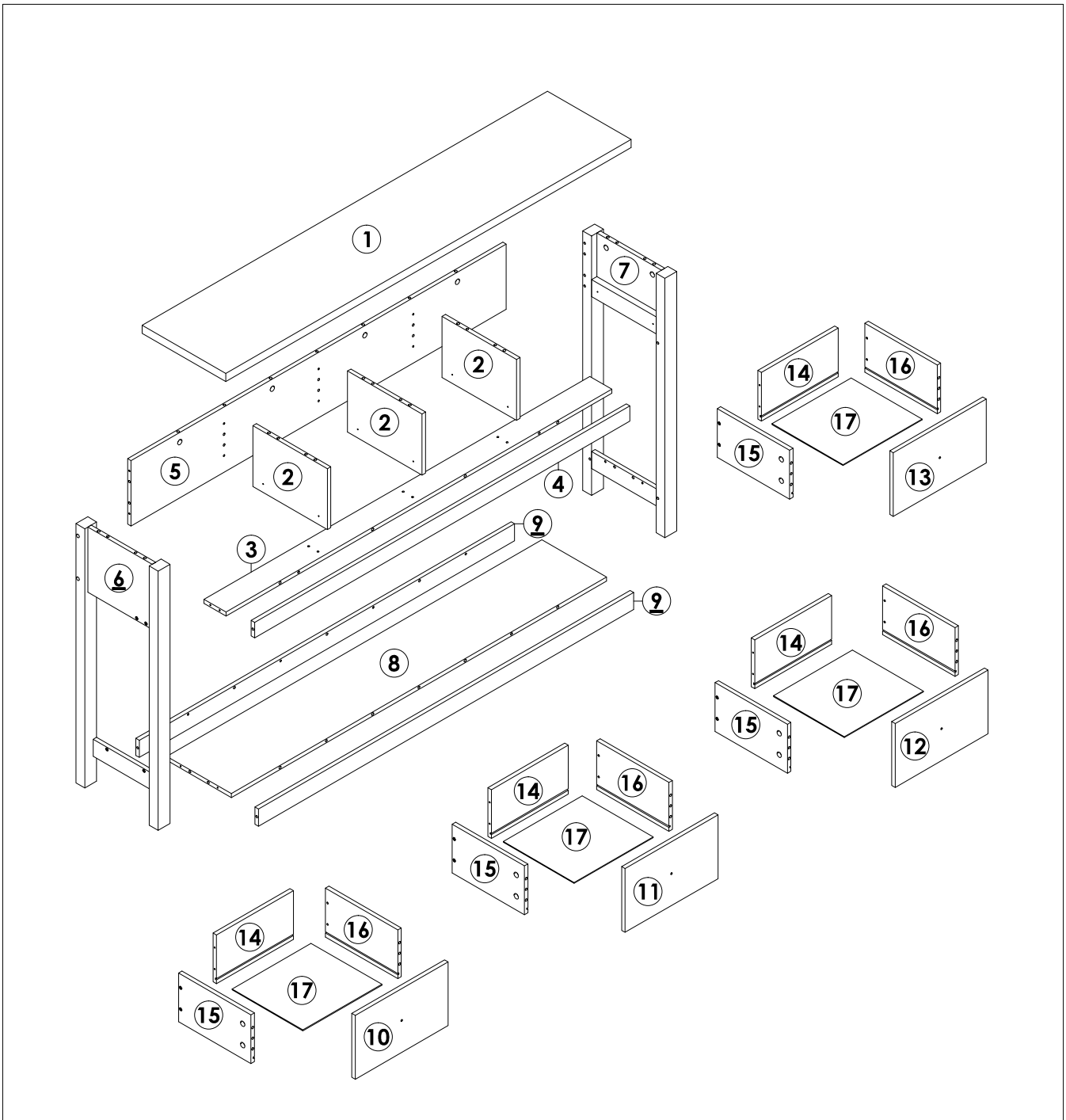
QUICKFIT

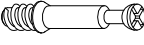

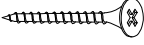


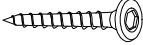
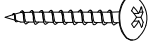
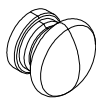
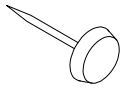

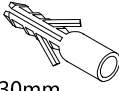



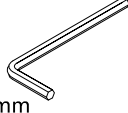
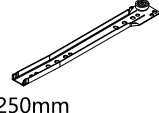
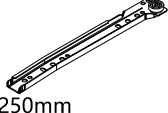
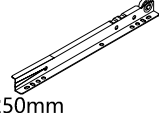
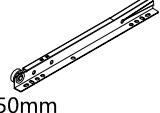
Tighten until shoulder is flush with panel. **DO** not overtighten or undertighten (see example below)



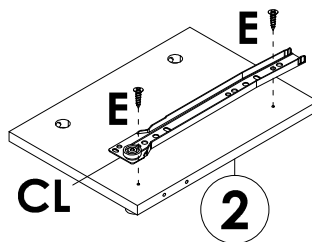
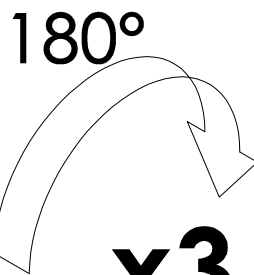
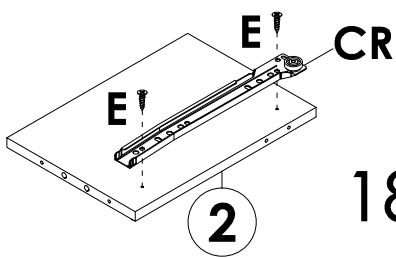
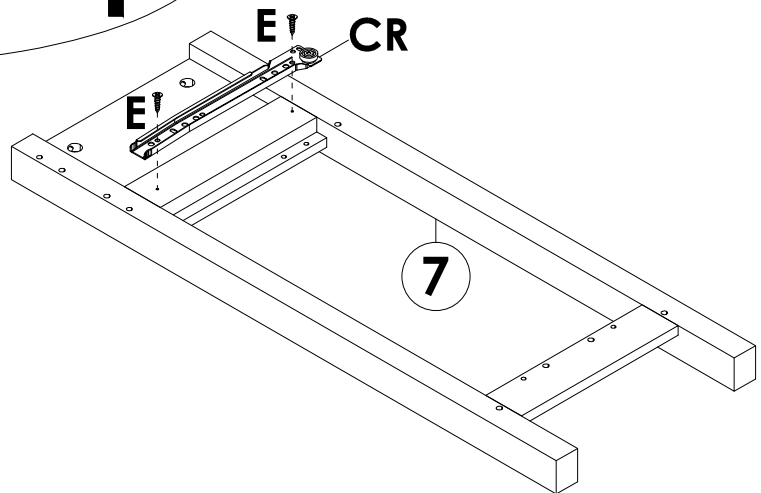
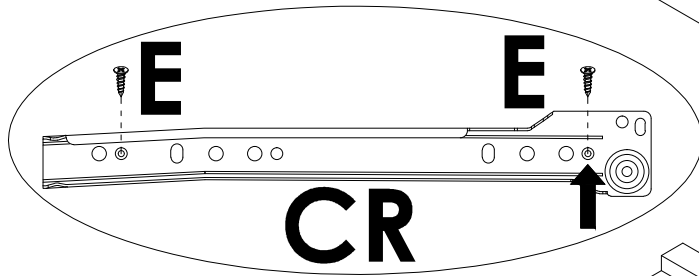
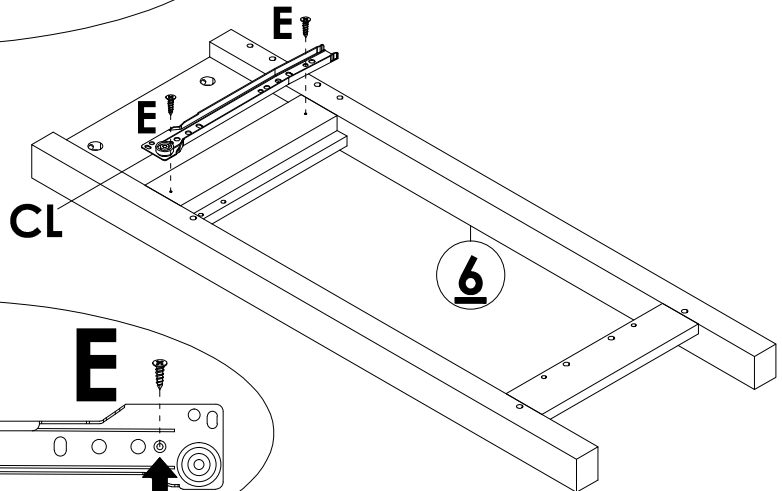
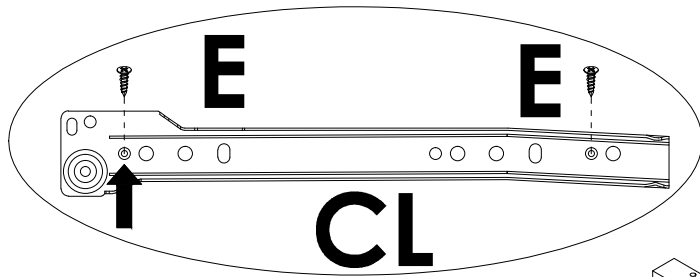
Low-Speed Gear !!!


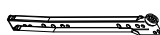





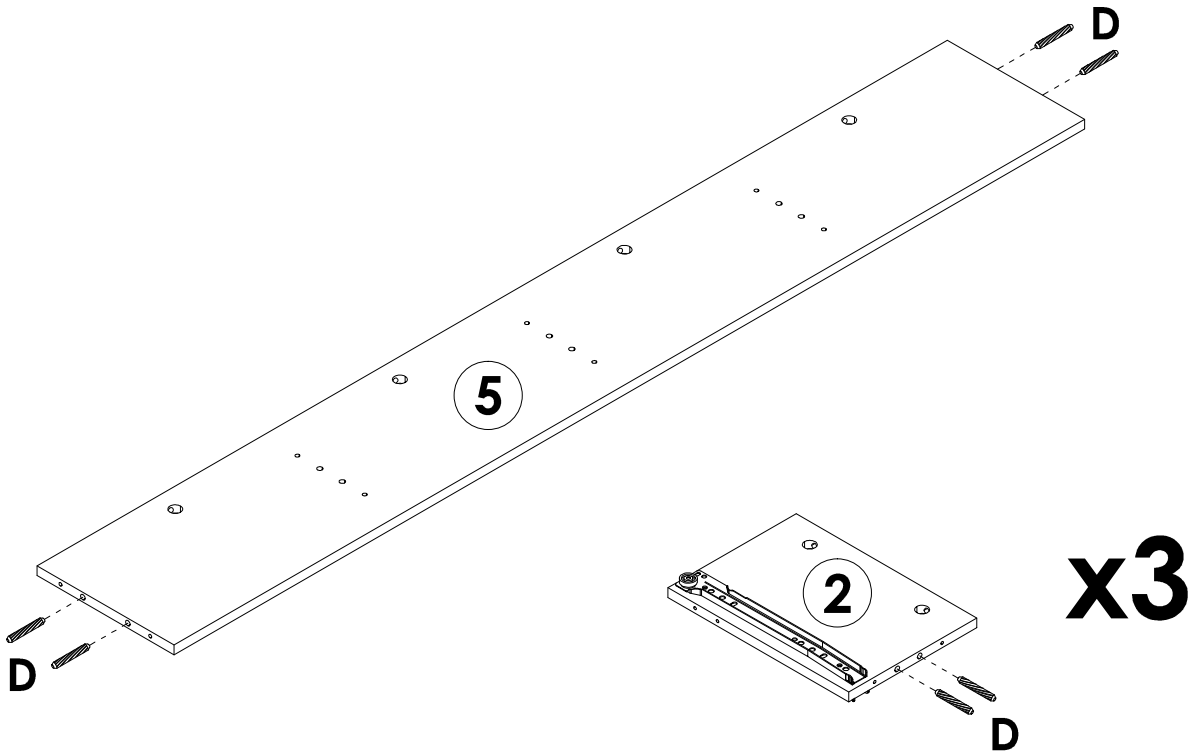
													
6x35mm	15x9mm	4x40mm	6x30mm	3x12mm	5x55mm	4x25mm							
A	42PCS	B	42PCS	C	38PCS	D	49PCS	E	32PCS	F	4PCS	G	4PCS
													
		20mm	6x30mm	3x14mm									
H	4PCS	I	4PCS	J	12PCS	K	2PCS	L	2PCS	M	4PCS	N	2PCS
													
4mm	250mm	250mm	250mm	250mm									
O	1PC	CL	4PCS	CR	4PCS	DL	4PCS	DR	4PCS				

STEP 1



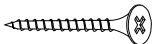
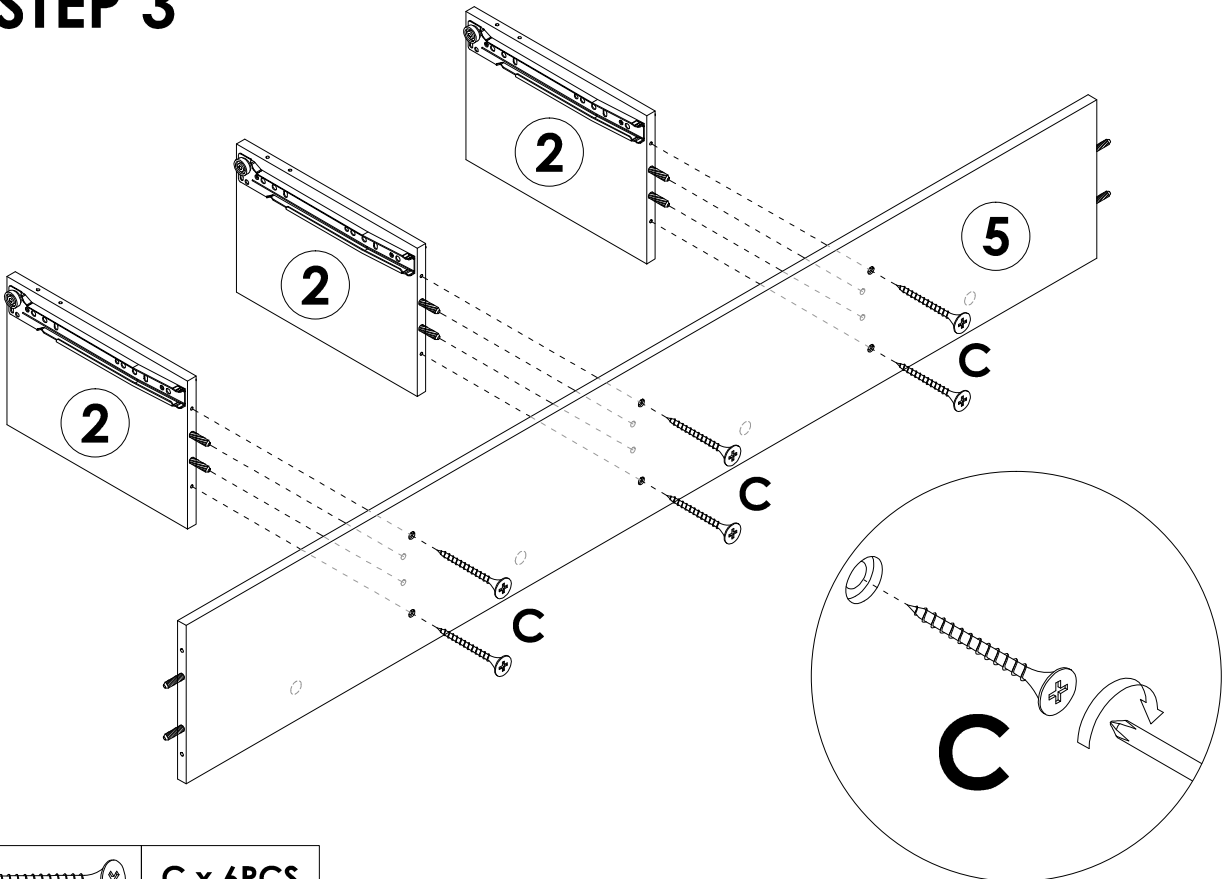
	E x 16PCS
	CL x 4PCS
	CR x 4PCS

STEP 2



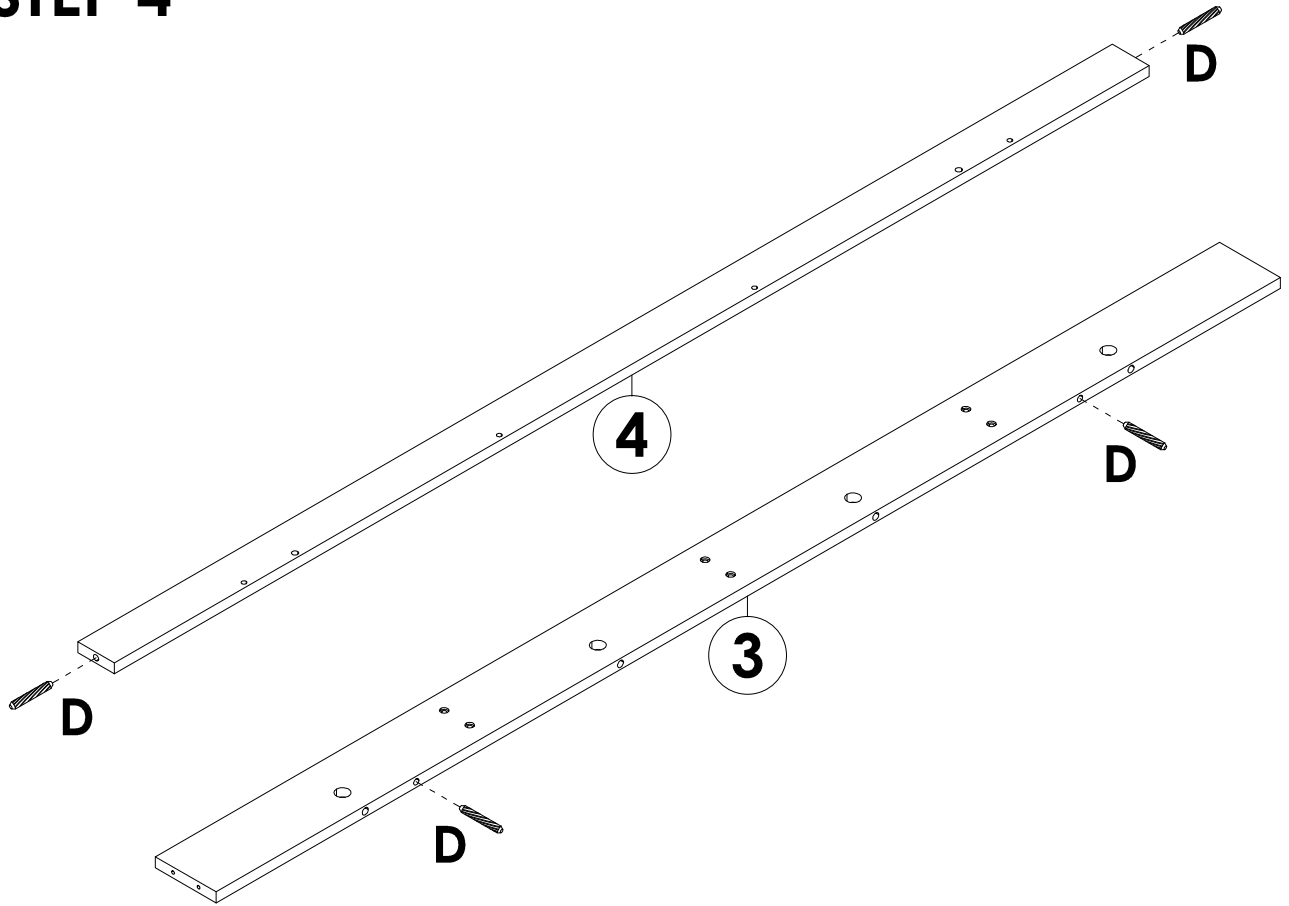
D x 10PCS

STEP 3



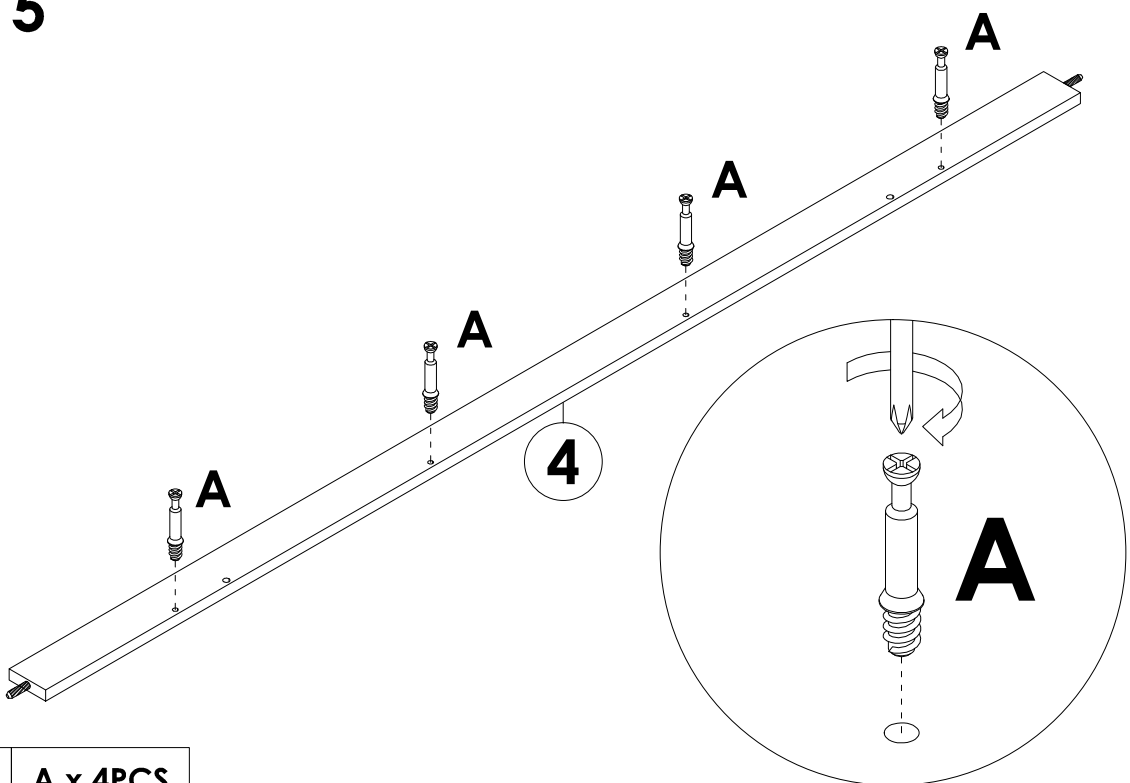
C x 6PCS

STEP 4



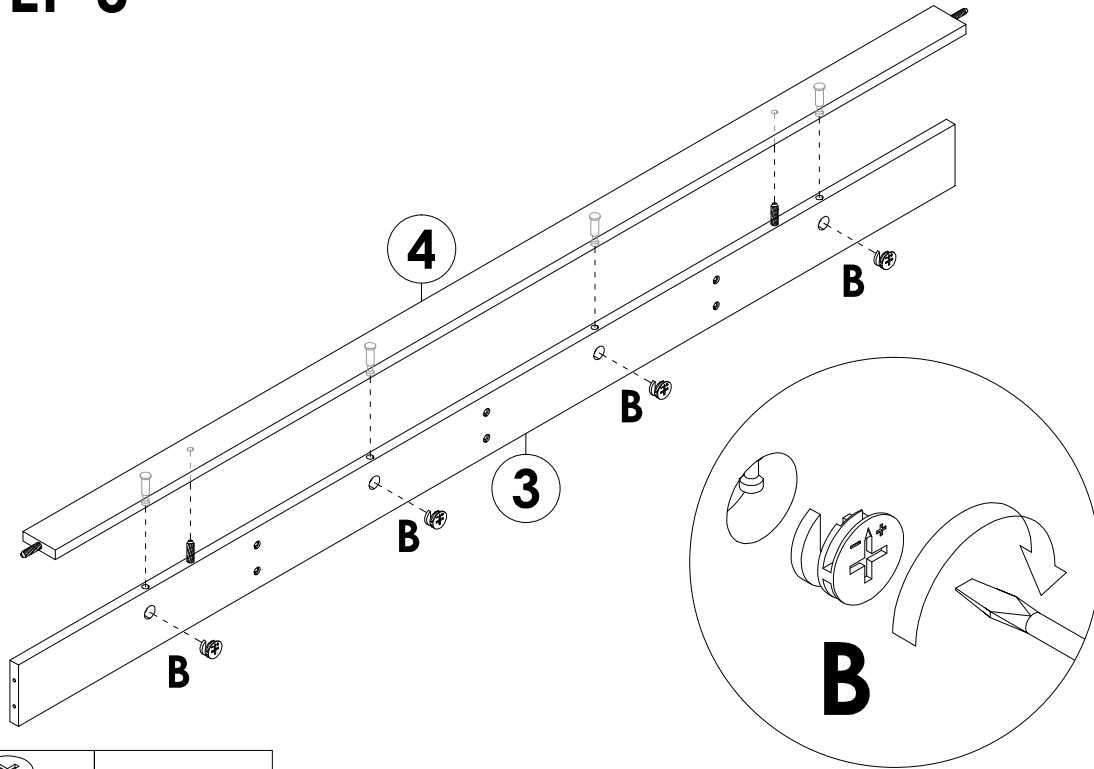
D x 4PCS

STEP 5



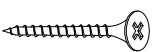
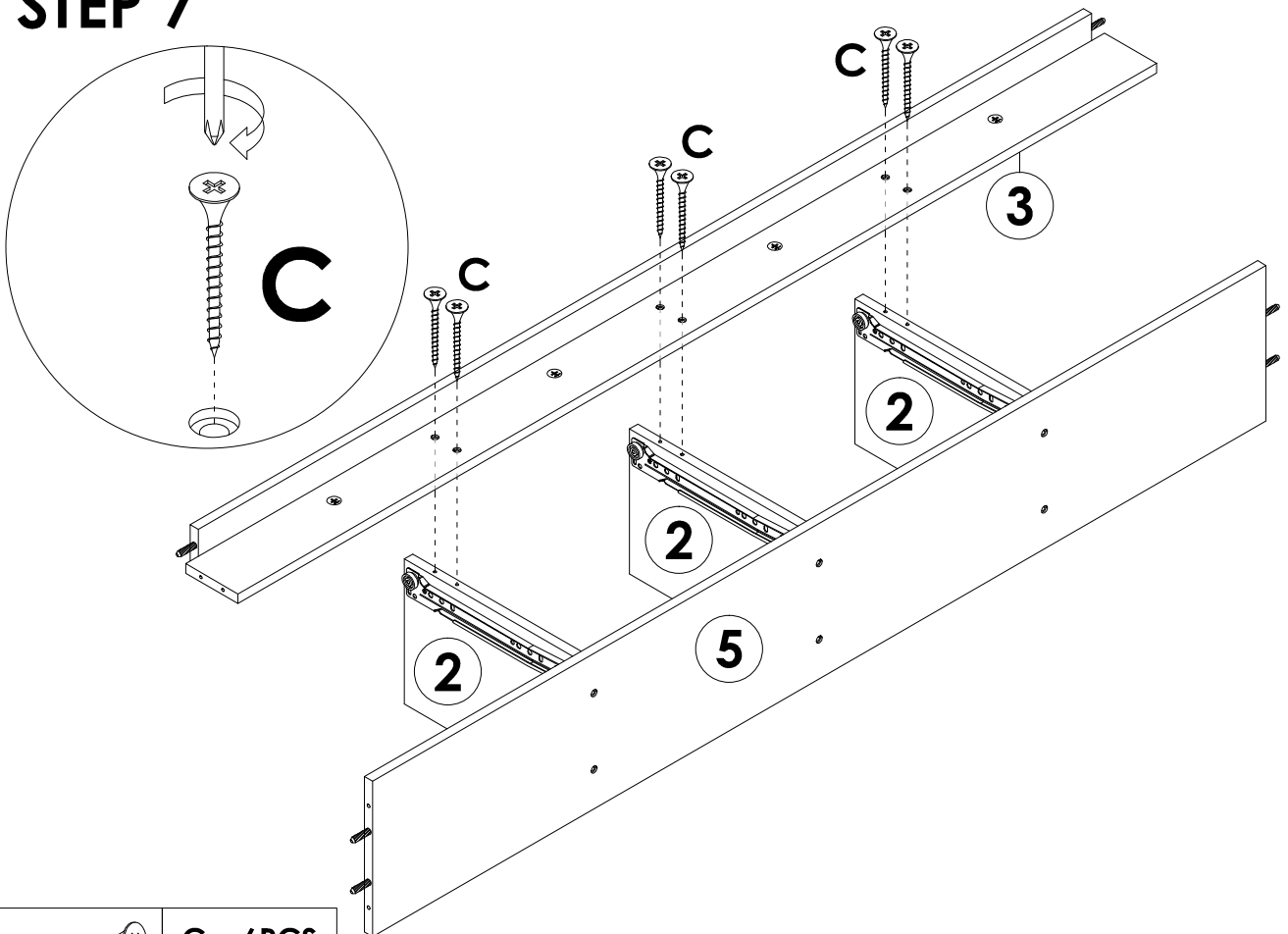
A x 4PCS

STEP 6



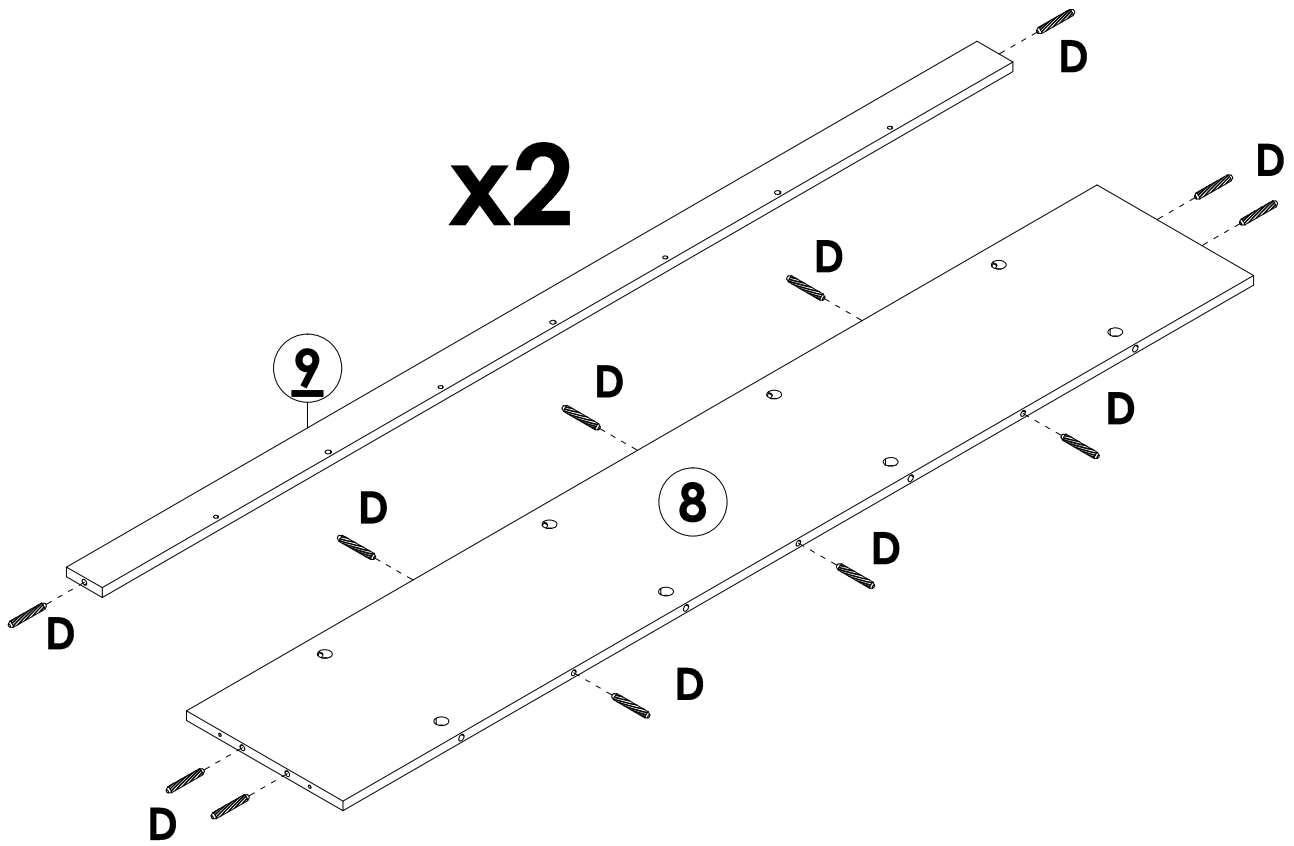
B x 4PCS

STEP 7



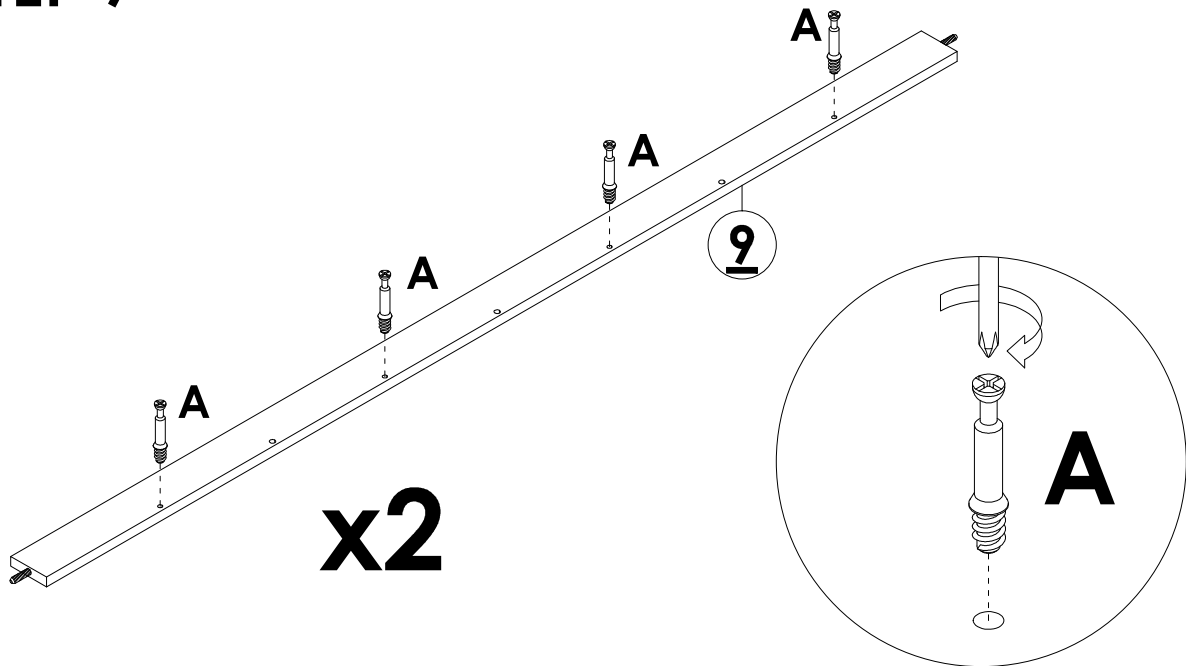
C x 6PCS

STEP 8



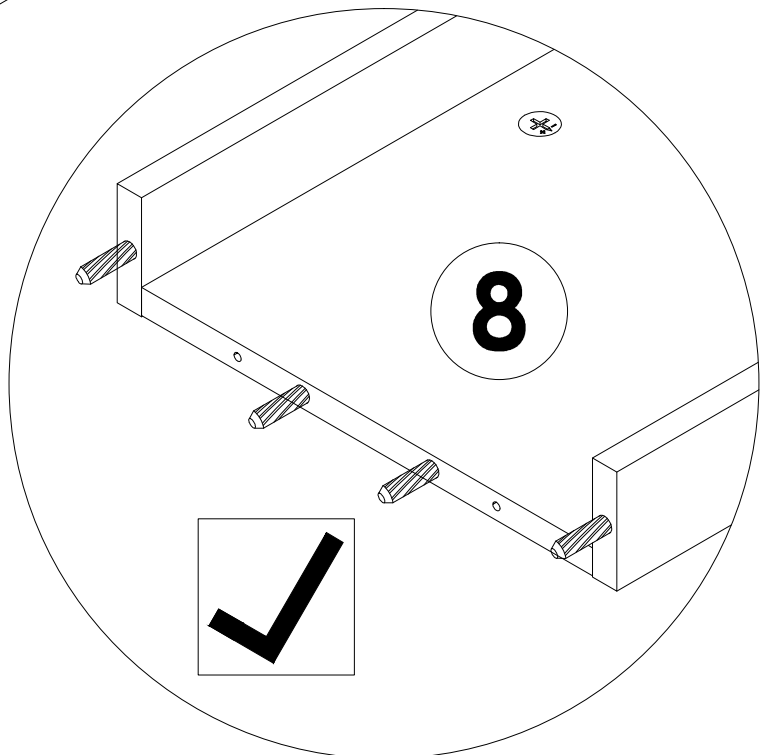
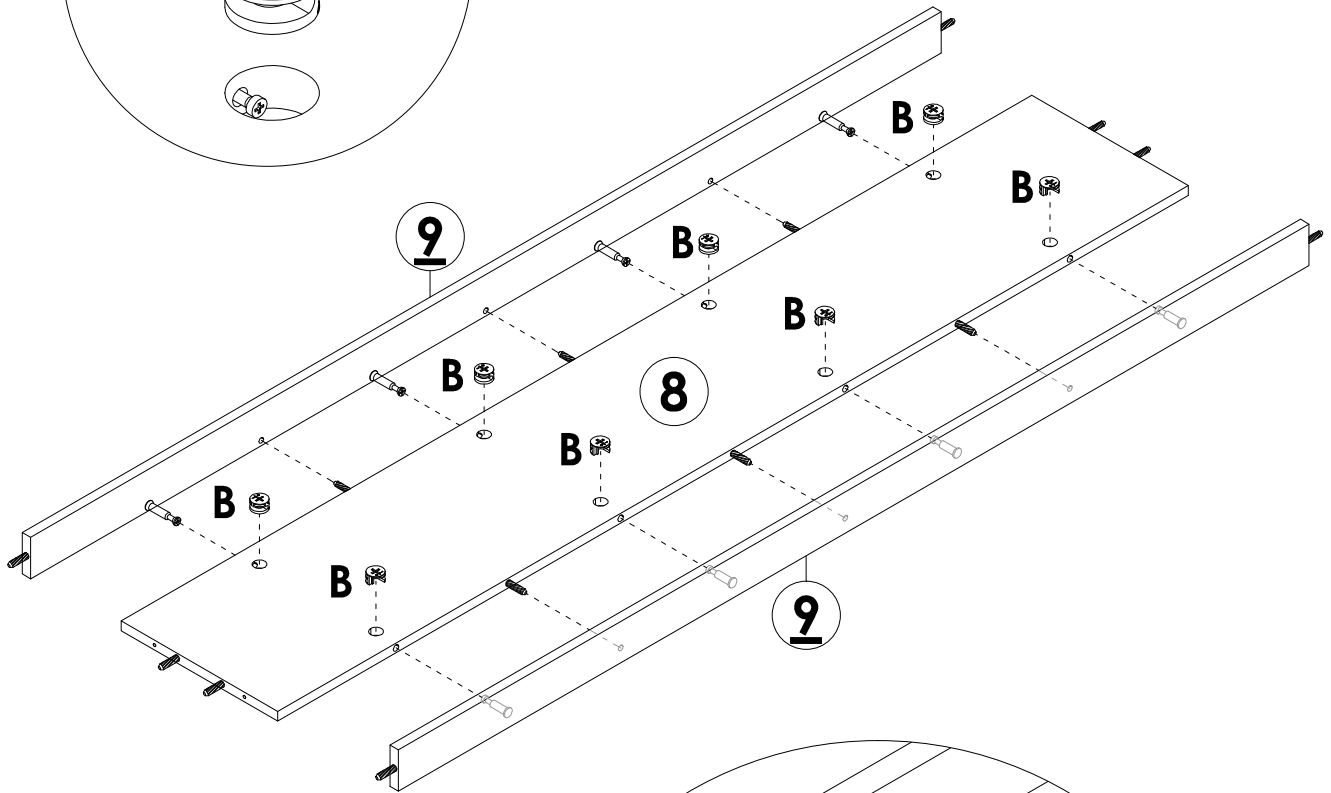
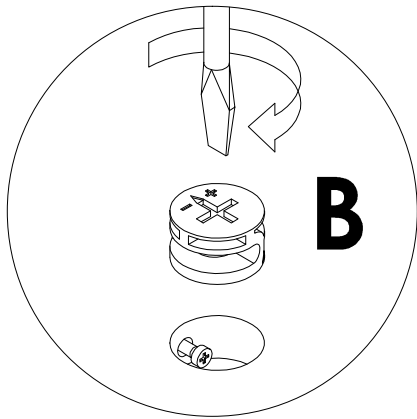
D x 14PCS

STEP 9



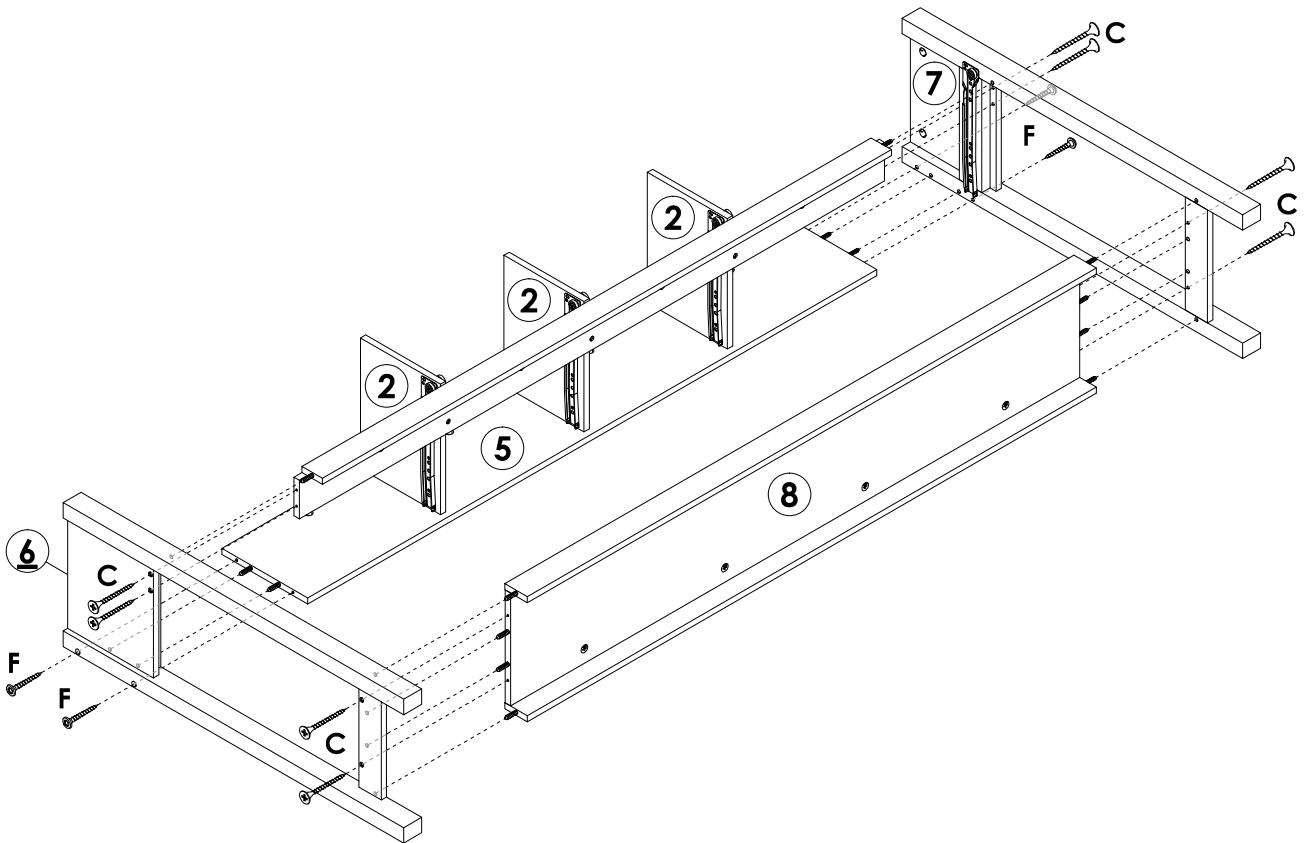
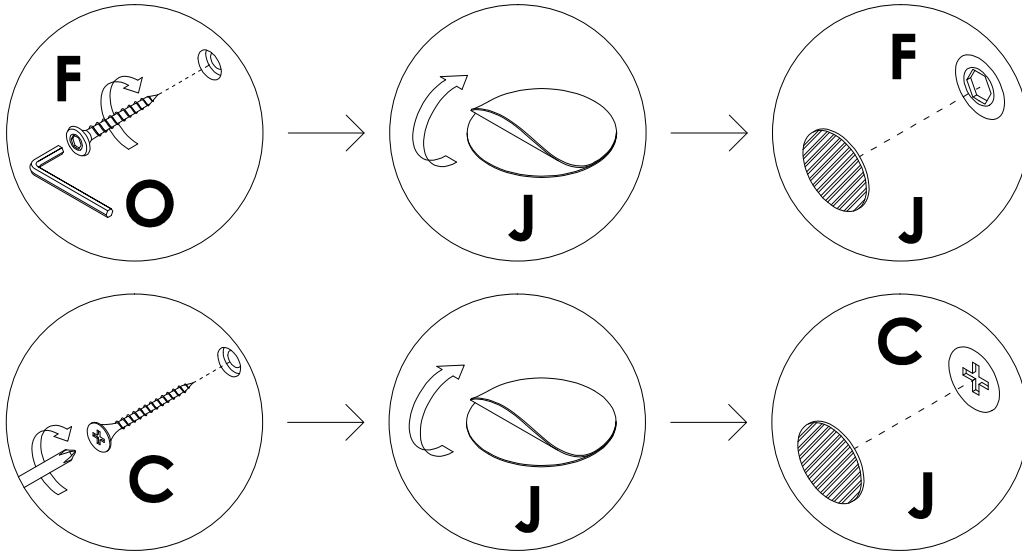
A x 8PCS

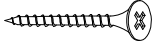
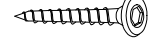

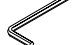
STEP 10



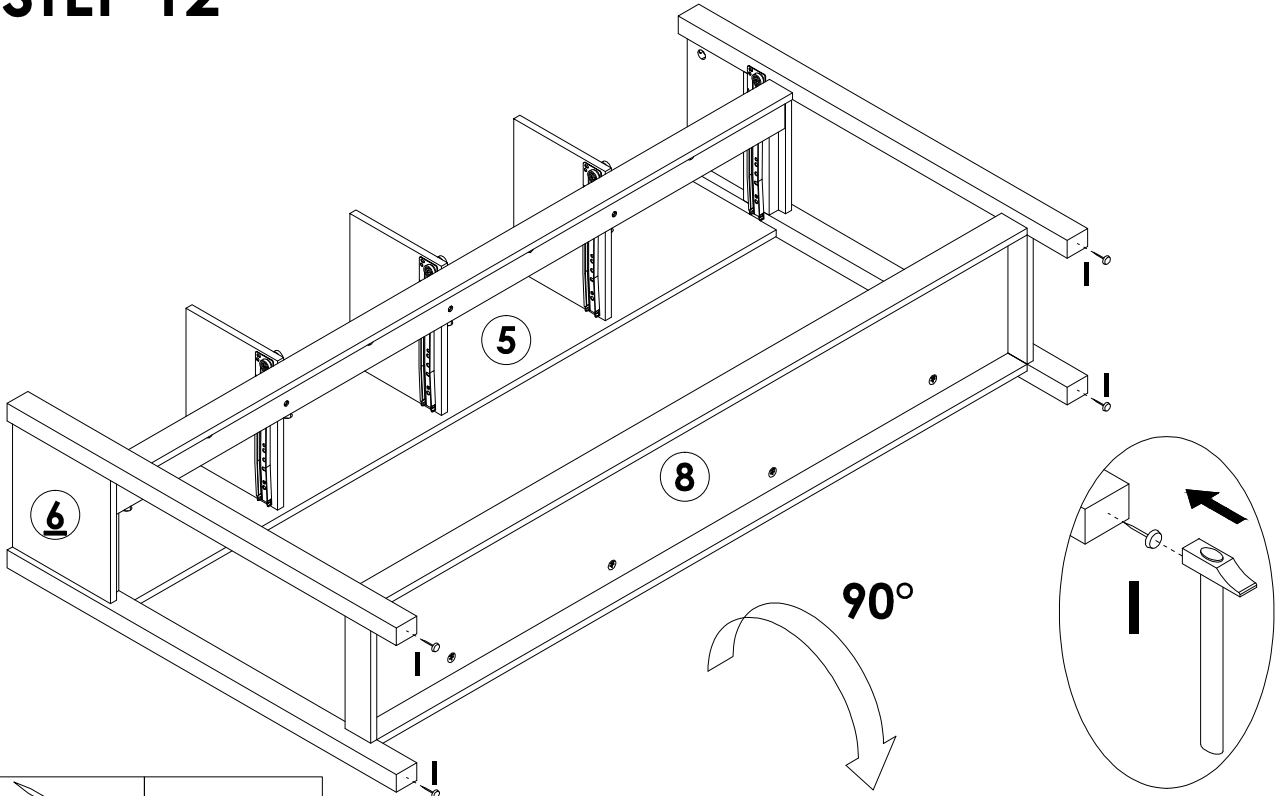
B x 8PCS

STEP 11



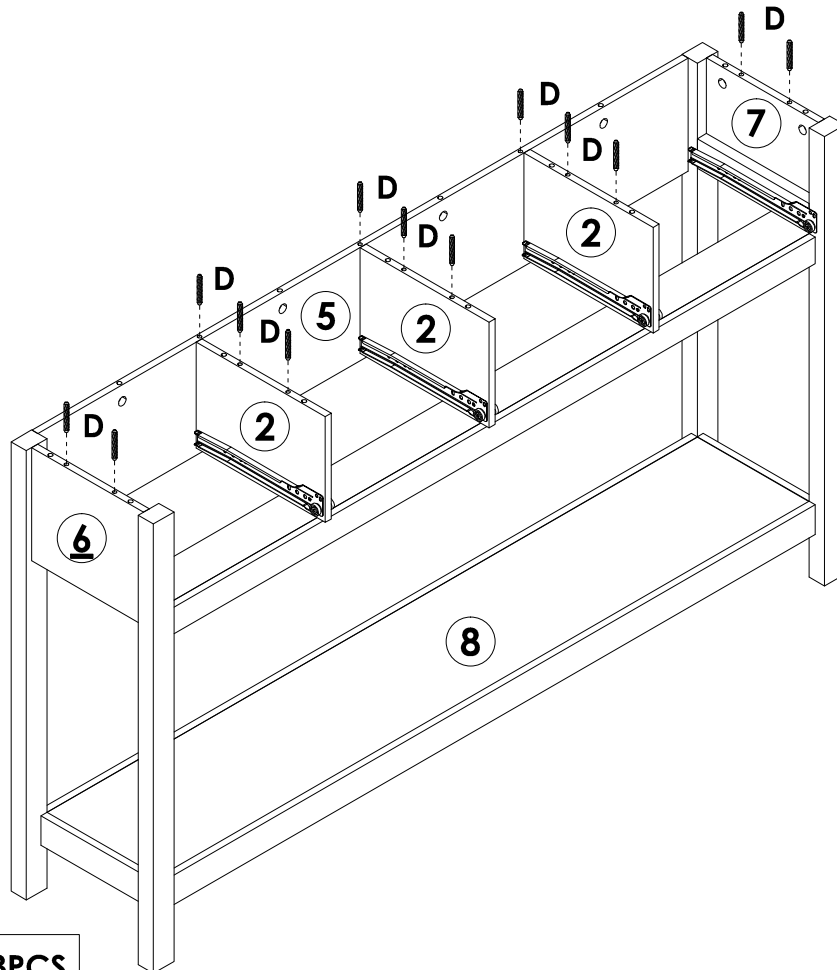
	C x 8PCS
	F x 4PCS
	J x 12PCS
	O x 1PC

STEP 12



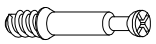
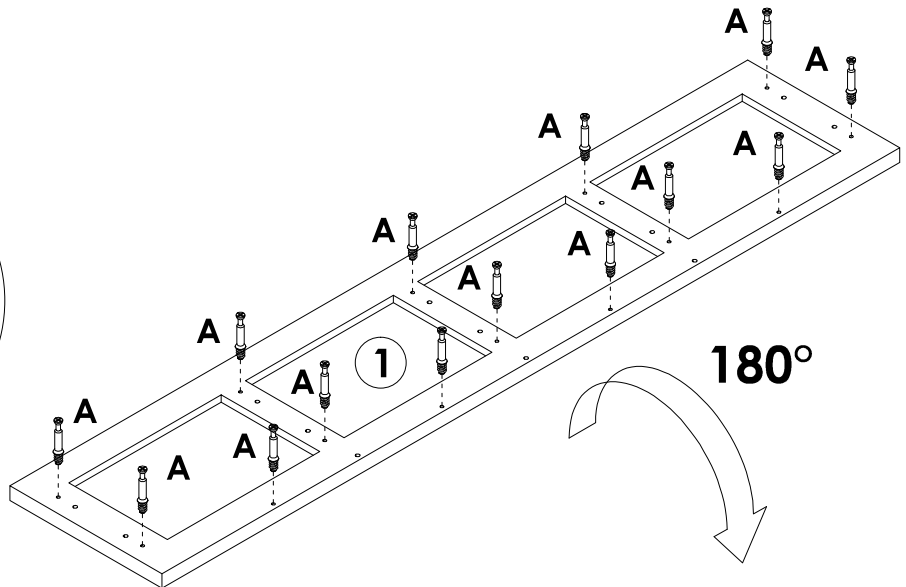
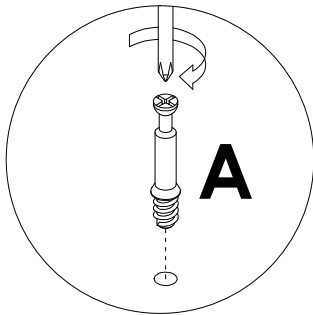
1 x 4PCS

STEP 13



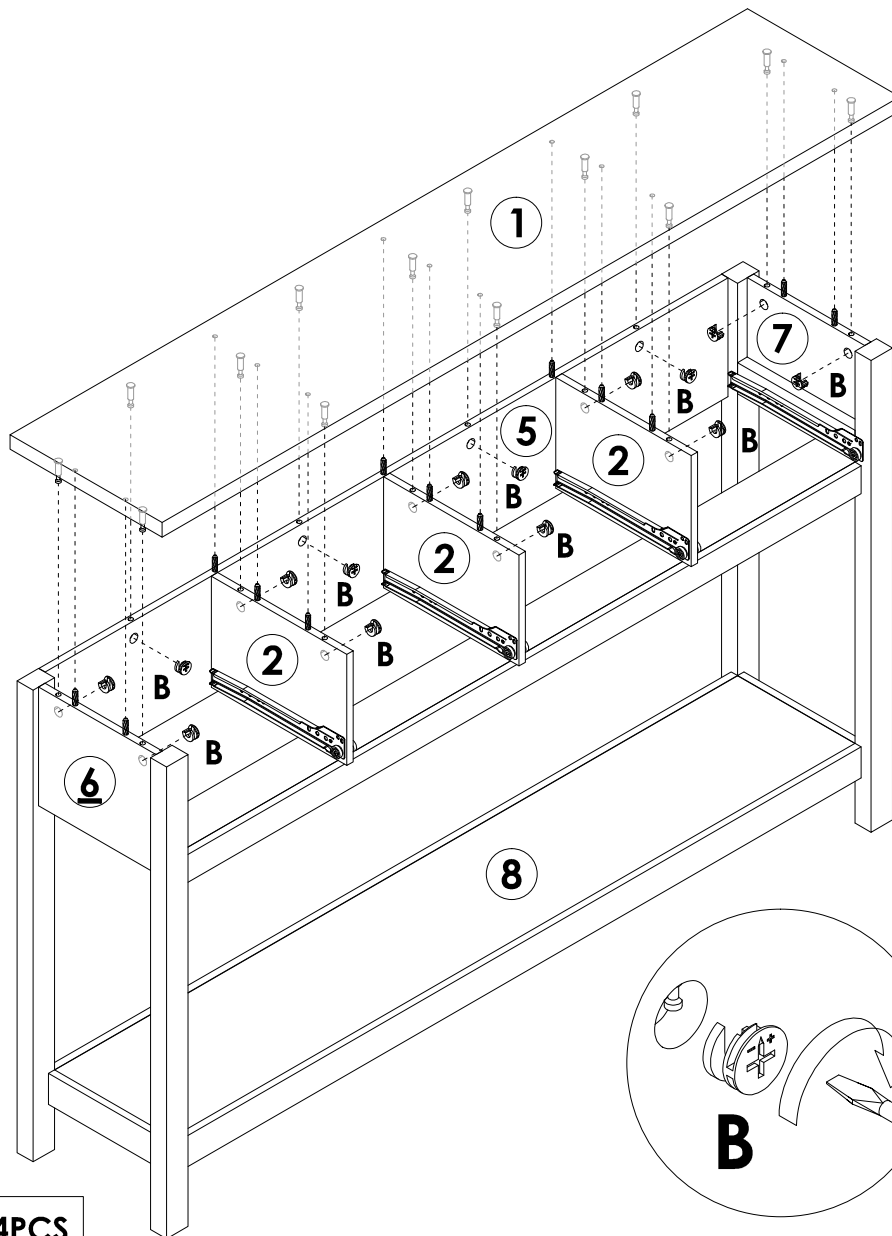
D x 13PCS

STEP 14



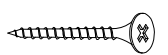
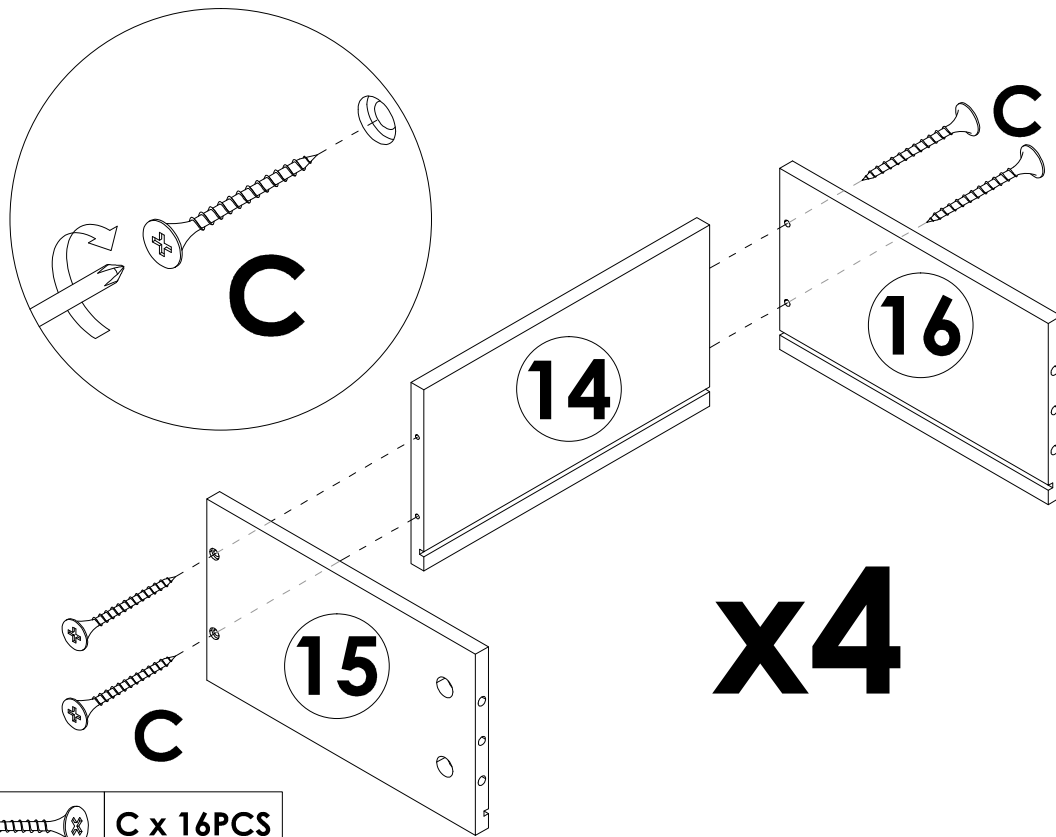
A x 14PCS

STEP 15



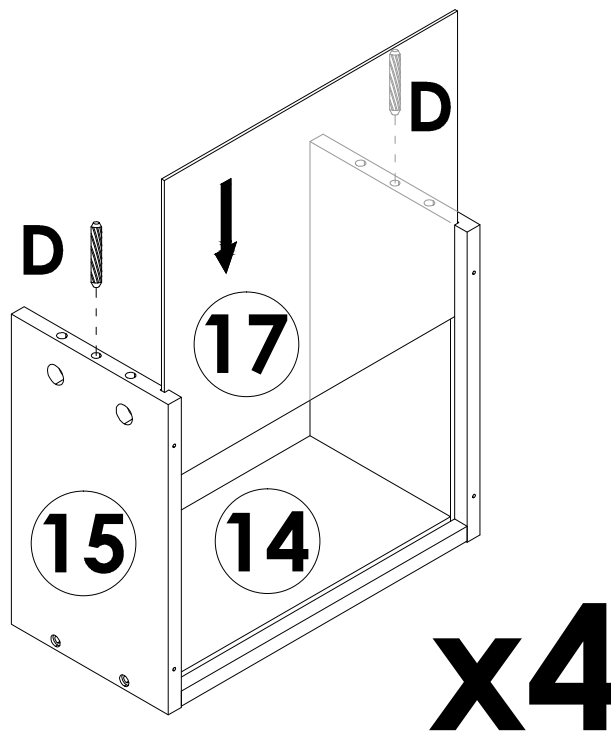
B x 14PCS

STEP 16



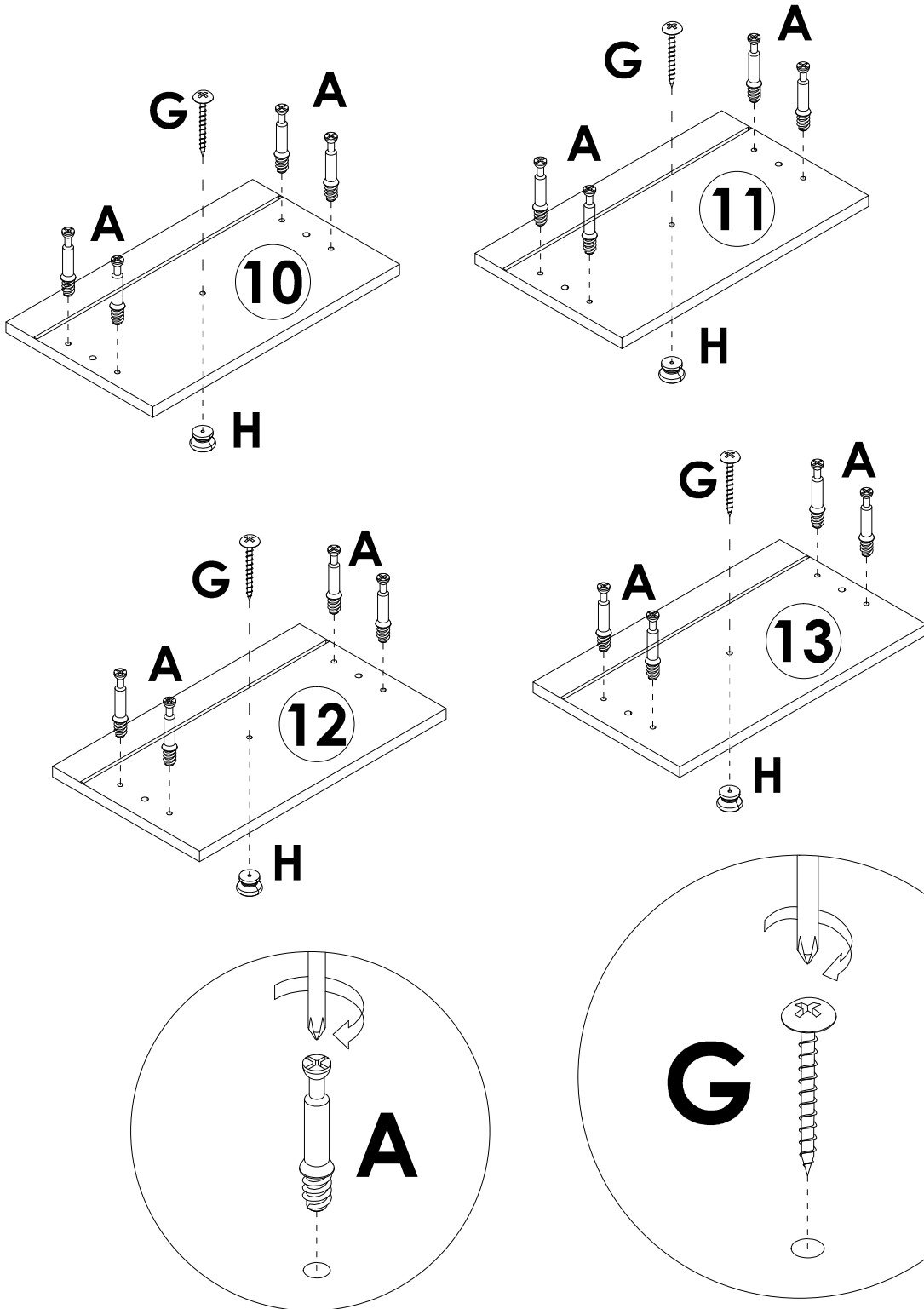
C x 16PCS

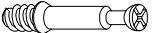
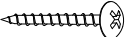

STEP 17



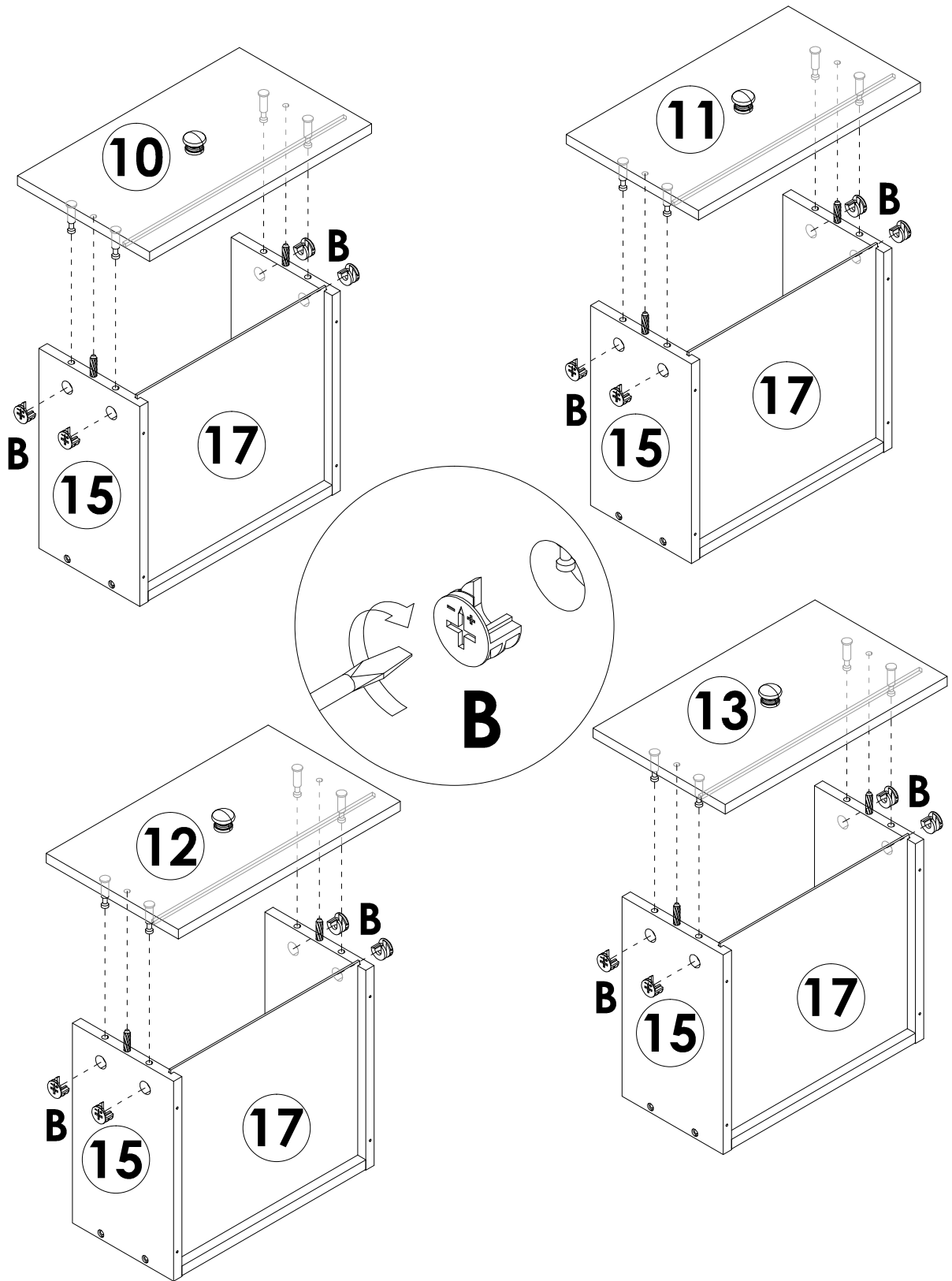
D x 8PCS

STEP 18



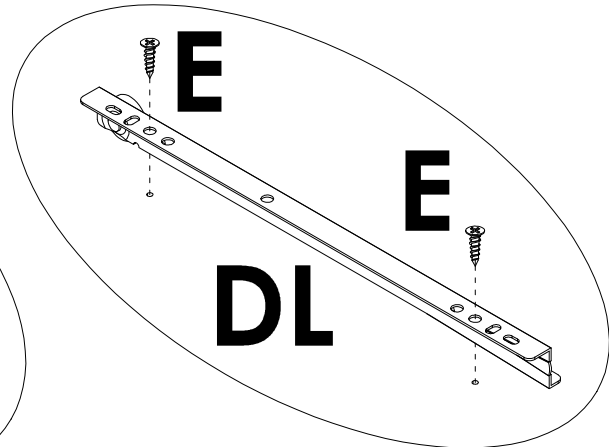
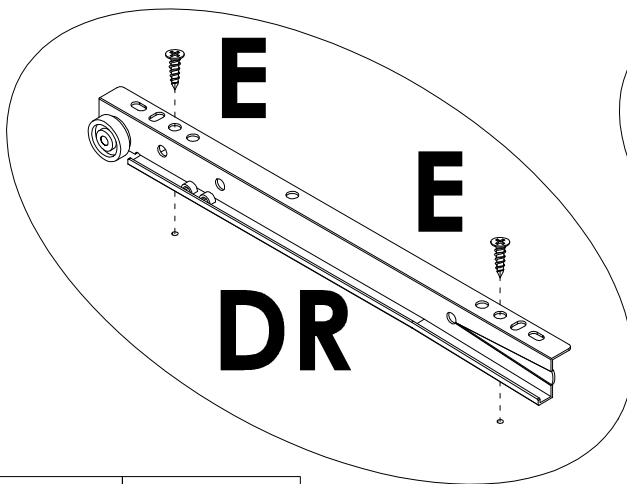
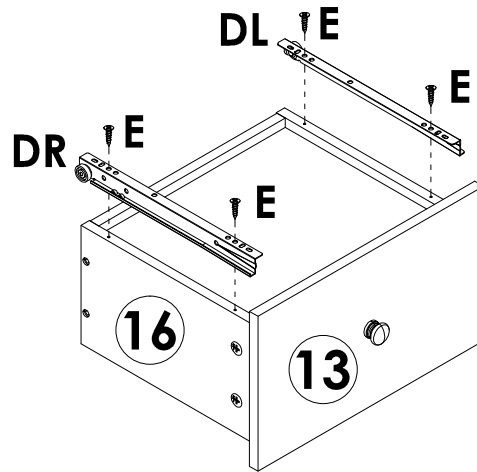
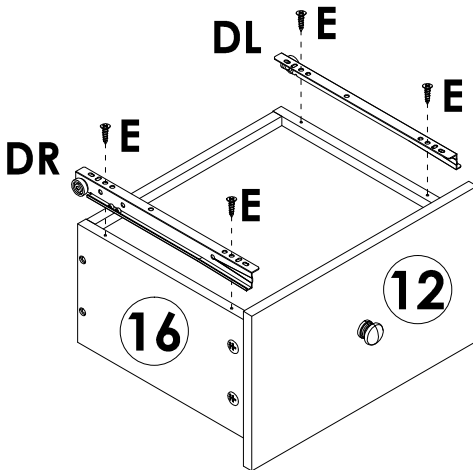
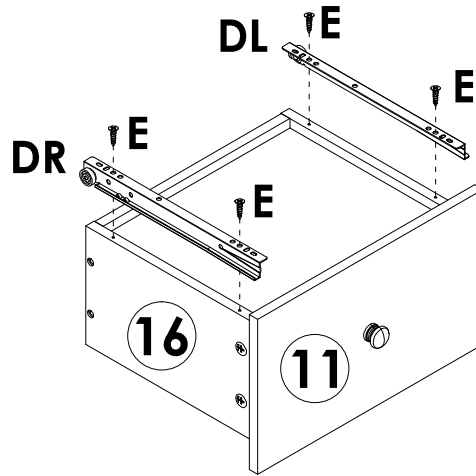
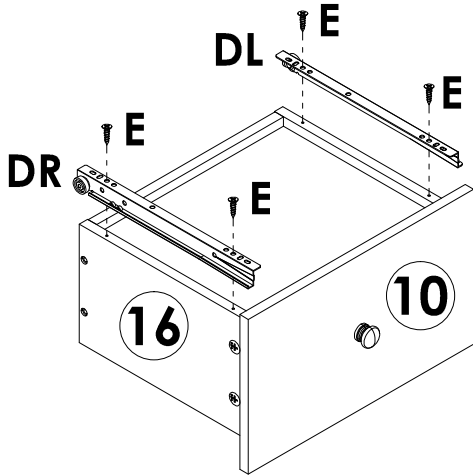
	A x 16PCS
	G x 4PCS
	H x 4PCS




STEP 19



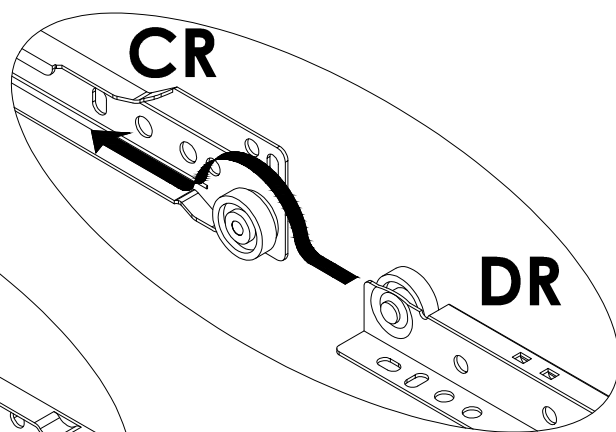
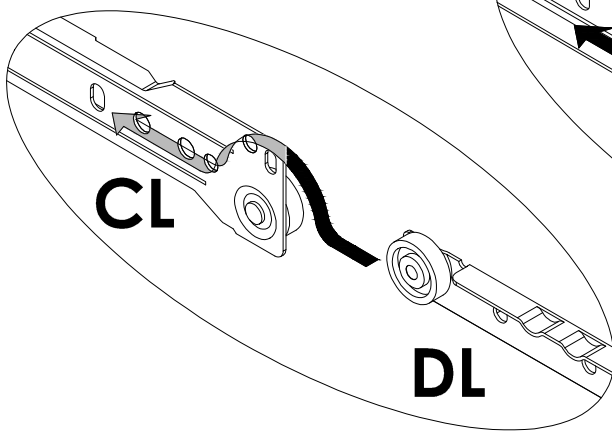
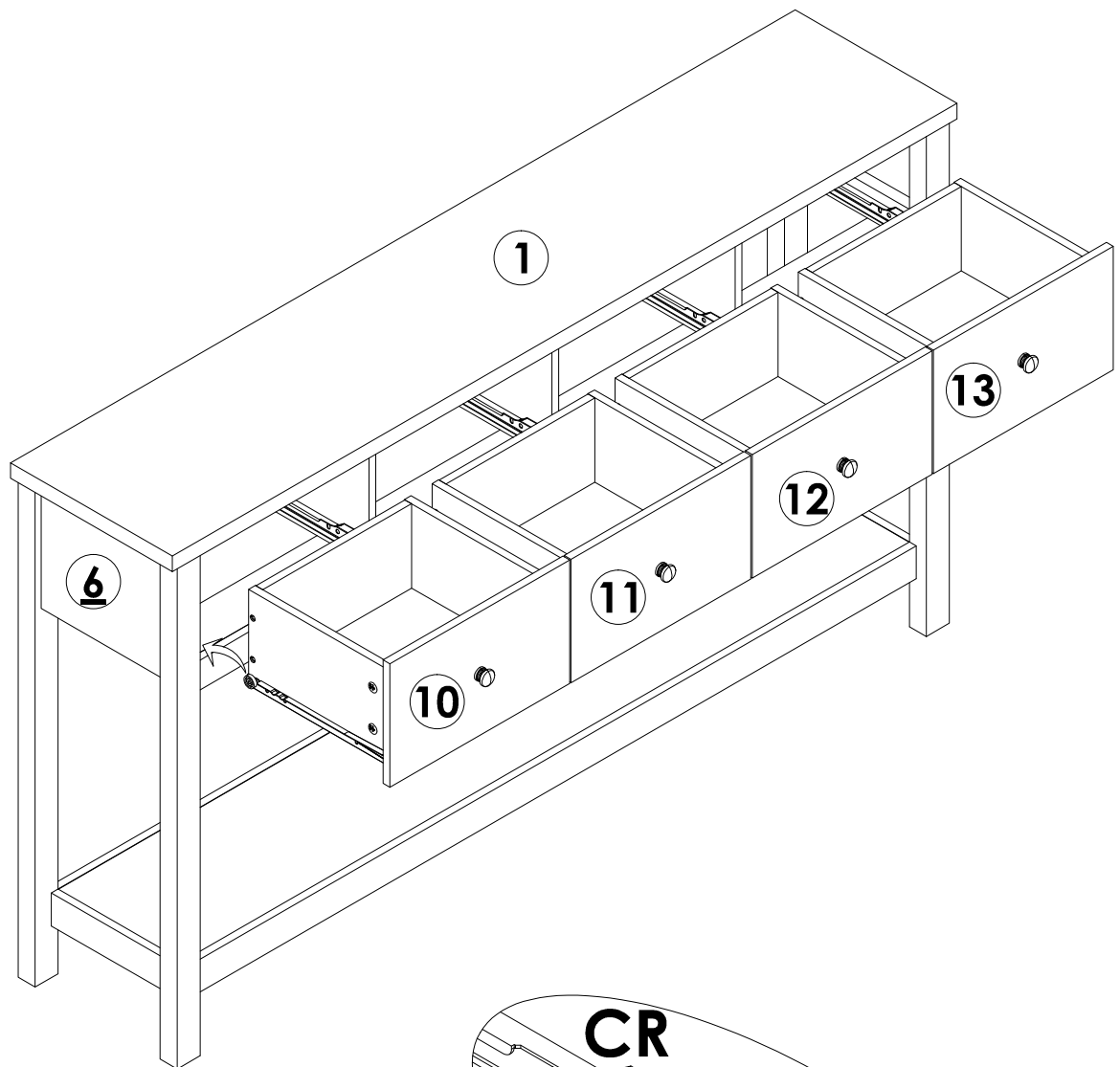
B x 16PCS

STEP 20

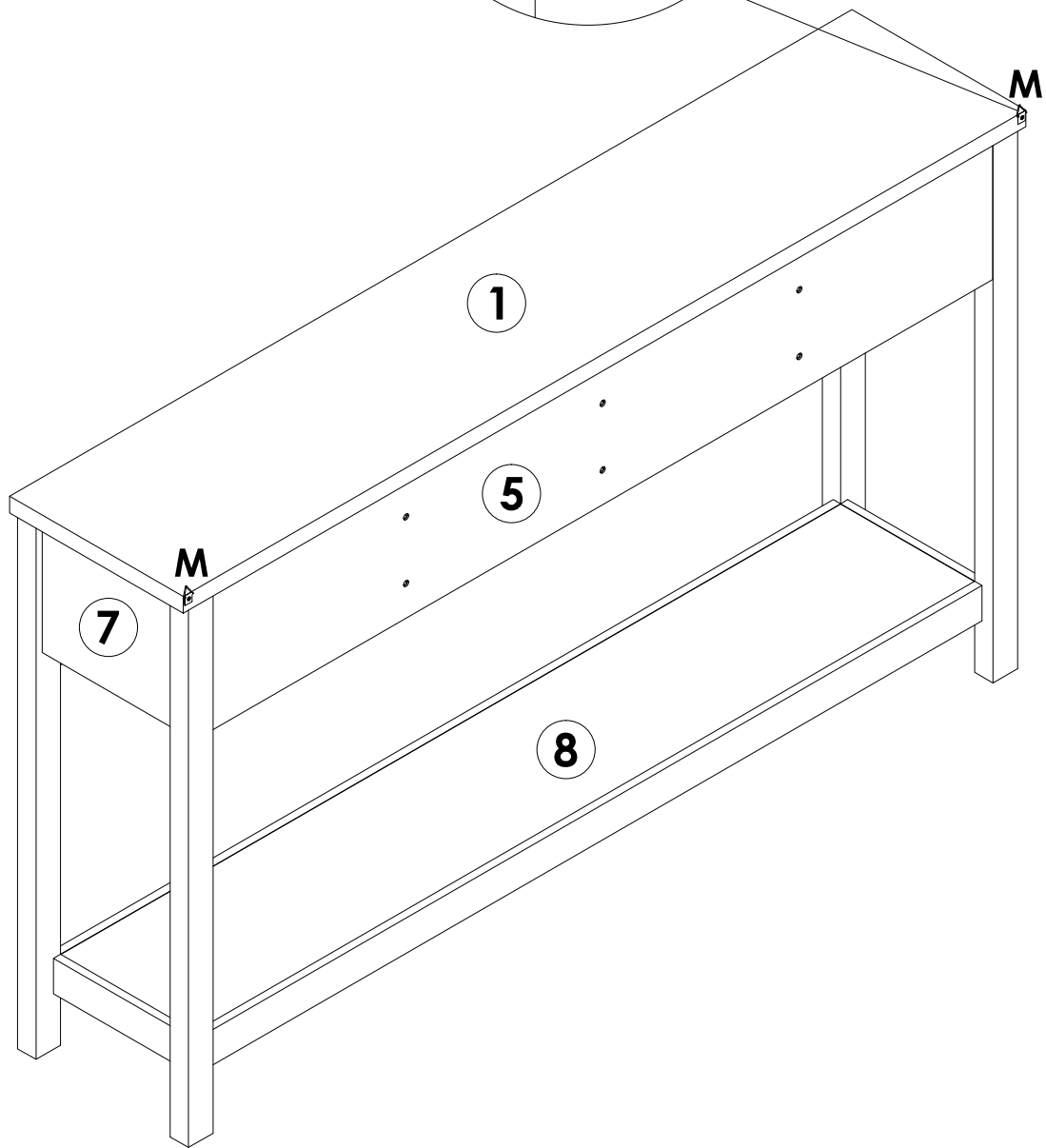
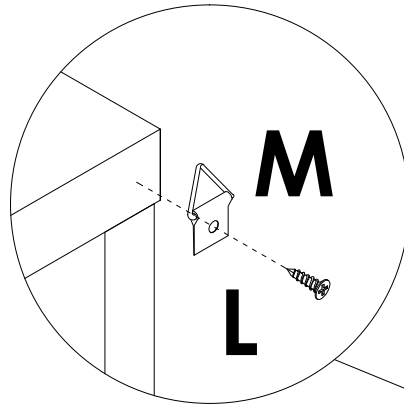




	E x 16PCS
	DL x 4PCS
	DR x 4PCS

STEP 21



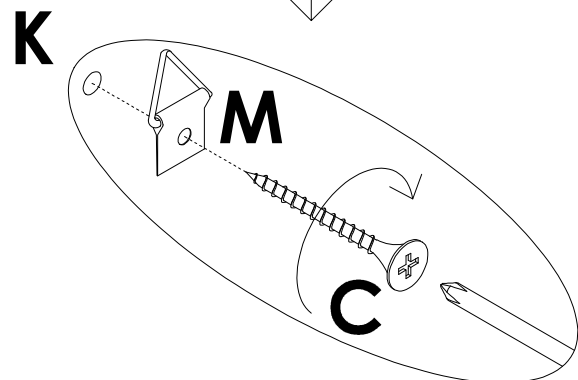
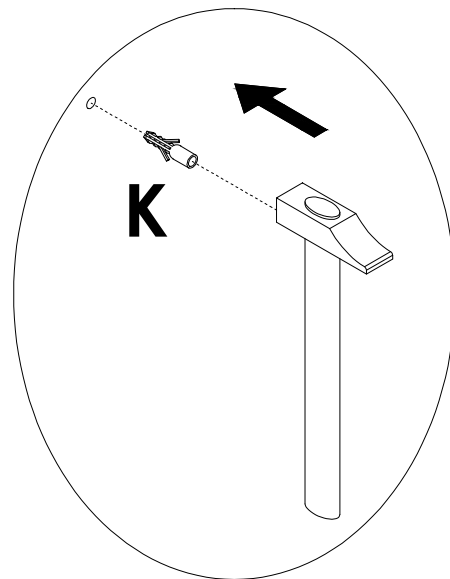
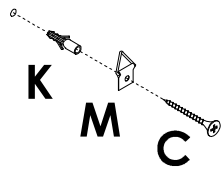
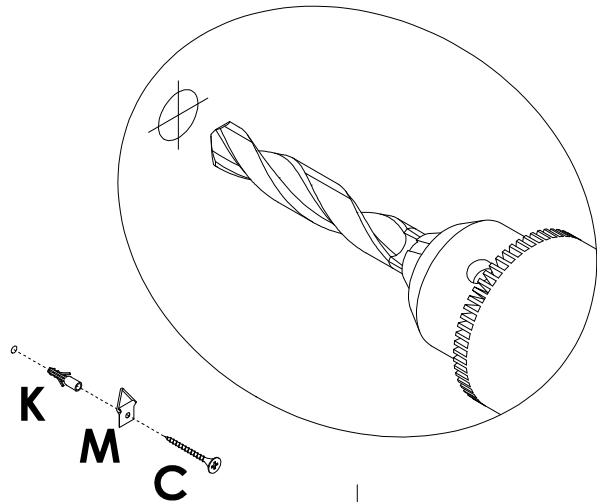
STEP 22

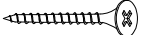




	L x 2PCS
	M x 2PCS

STEP 23

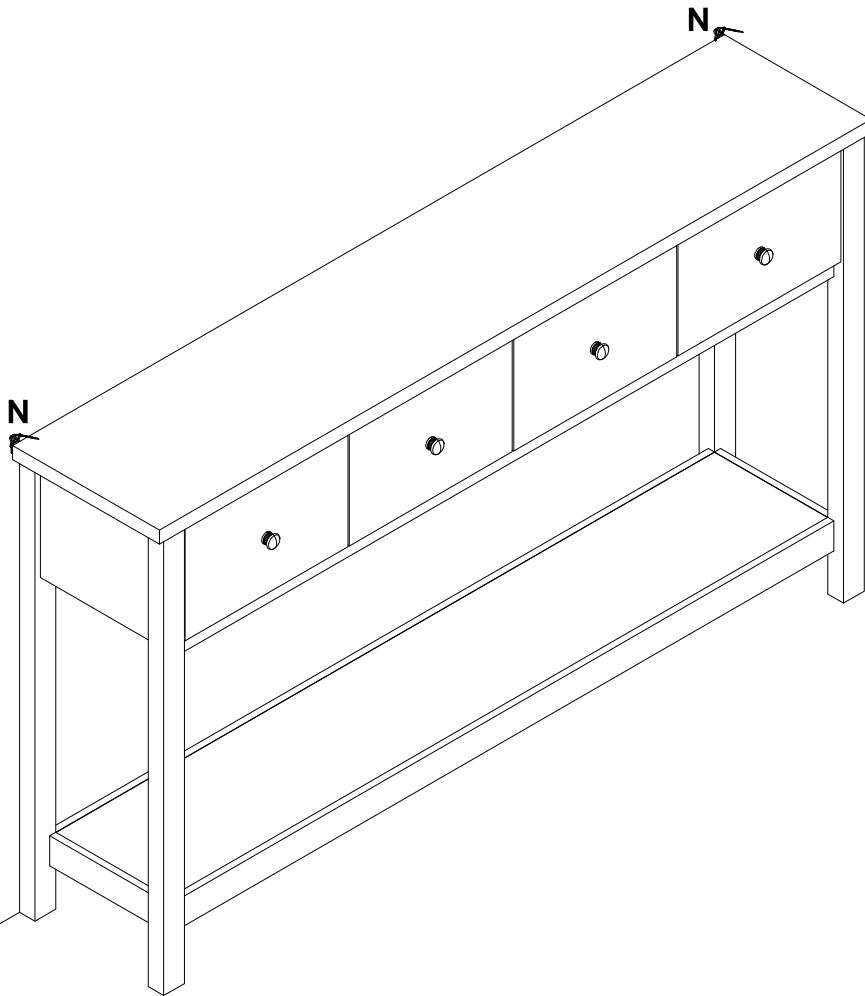
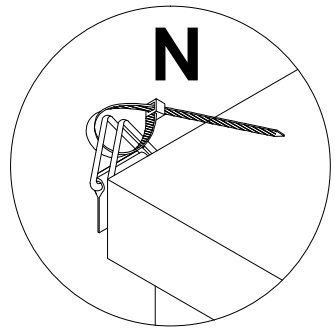
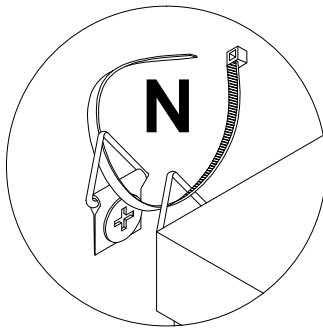
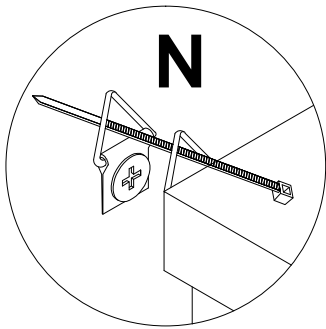
WALL



	C x 2PCS
	K x 2PCS
	M x 2PCS

STEP 24

WALL



N x 2PCS