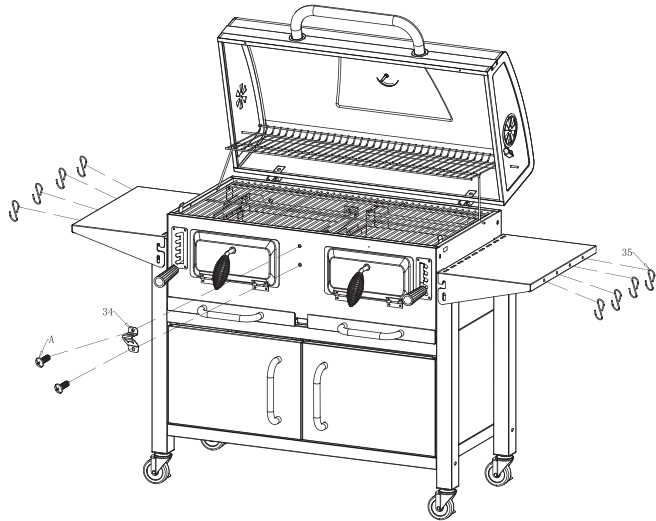
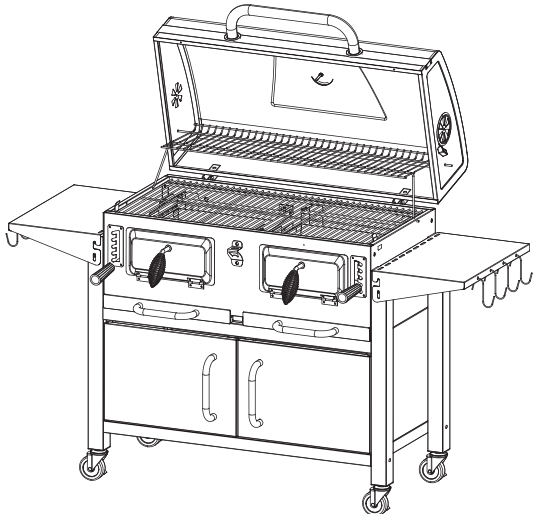


Step 25. Assemble the bottle opener (34) to the front plate of grill body using 2xM6x14 A screws. Insert the 8 pcs hooks (35) to the side pedals.



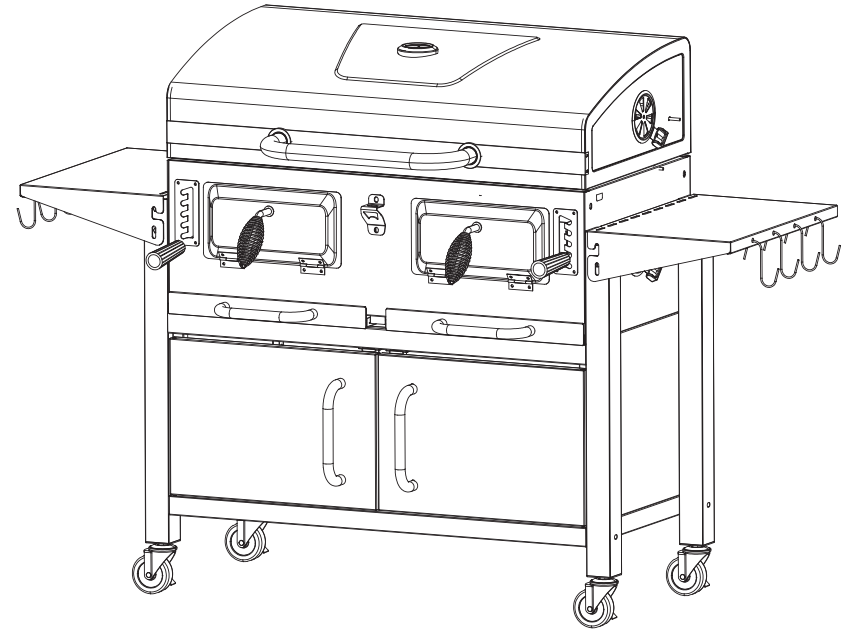
Ax2 M6x14

Step 26. Assembled.



# PRODUCT MANUAL

## DOUBLE DOOR FURNACE



## IMPORTANT SAFETY INSTRUCTIONS

Please operate in strict accordance with the instructions to avoid damage to the oven or personal injury and property loss to the user.



BEWARE OF FIRE

Ensure that there are no flammable and explosive objects around. The barbecue oven should be at least 4 meters away from the flammable and explosive objects. When using, place a burner near the oven. Do not use gasoline, alcohol and other articles as the ignition agent of barbecue charcoal.



HIGH TEMPERATURE

Children and pets should keep a certain distance during use to avoid scalding. An adult is required to watch and be cautious. After use, please wait until the grill is completely cooled before moving and cleaning.



ORGANIC PEROXIDES

The product is only used in well ventilated outdoor environment. The burning of carbon indoors may produce colorless and odorless carbon monoxide, which may cause poisoning. Please do not use it in closed spaces such as home, car, tent, etc.



USE PROTECTIVE GLOVES

Wear insulating gloves and other protective tools to avoid scalding.



BE CAREFUL

The temperature shall not exceed 260 ° C (500 ° F) during use. If the temperature exceeds this degree, you need to reduce the carbon in the carbon basin.

Please pay attention to avoid being cut or scratched by the edge during installation and use. Do not use too much force when installing the screws. Tighten them gently, otherwise the surface coating may be damaged.

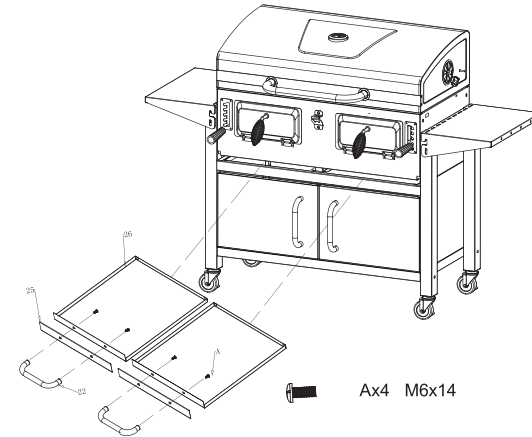


FORCE/PROMPT

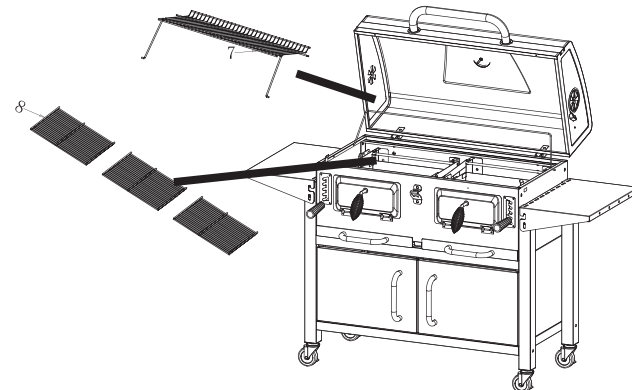
Before the first use, brush a layer of vegetable oil on the baking mesh to improve the baking flavor and make the whole baking more durable. (Failure to follow this procedure may result in coating damage or metallic taste in food)

After use, the baking net should be cleaned at the right time, which can be gently wiped with steel wire ball, or cleaned with a special oven brush. After cleaning and drying, it should be placed in a ventilated place for drying.

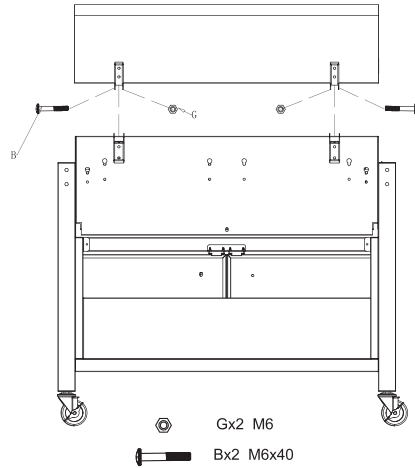
Step 23. Assemble the 2pcs door handles (22) the 2 pcs oil pan (26) with 2pcs strip of oil pan (25) using 4xM6x14 A screws.



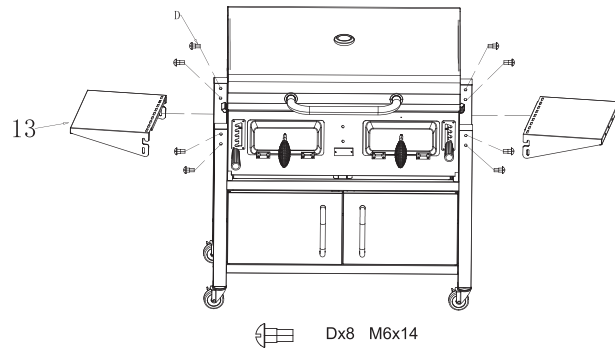
Step 24. Put the 3pcs cooking grid (8) to the grill body. And assemble the warming rack (7) into the lid and grill body.



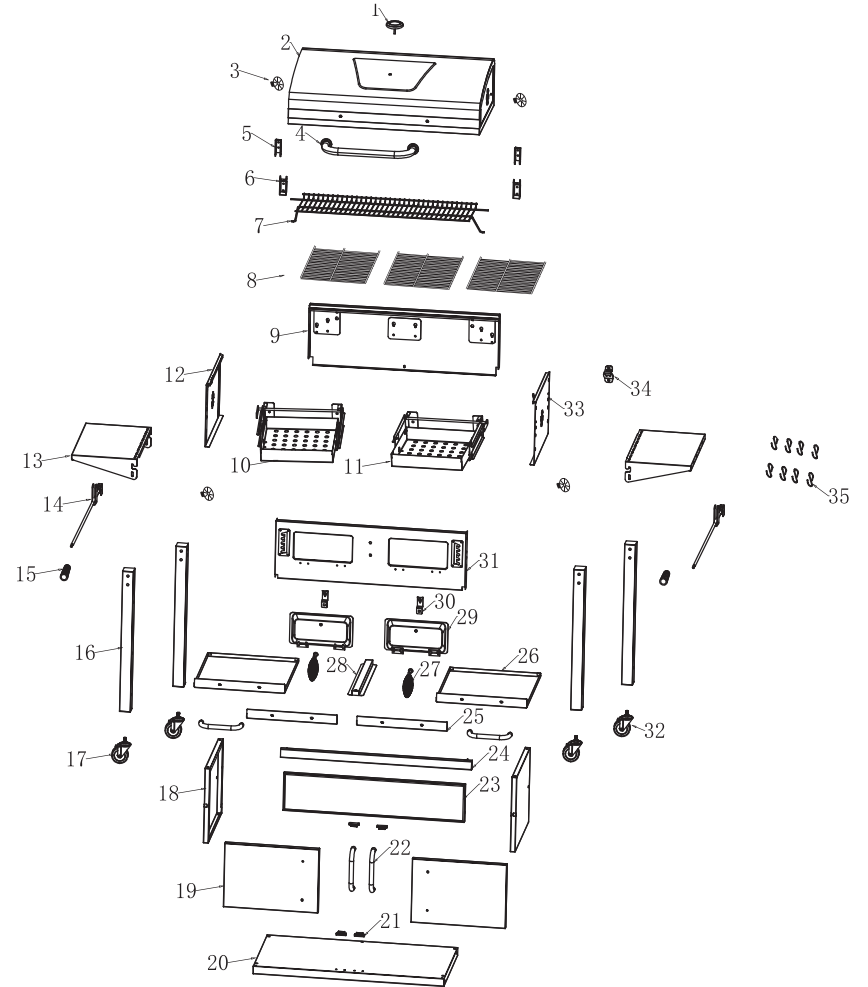
Step 21. Connect the upper lid hinge (5) to the grill hinge (6) using 2xM6x40 screws and 2xM6 G nuts.




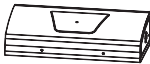






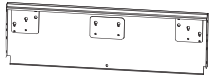
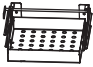

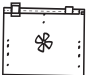
Step 22. Assemble the 2pcs side pedals (13) to the grill body using 8xM6x14 D step screws.



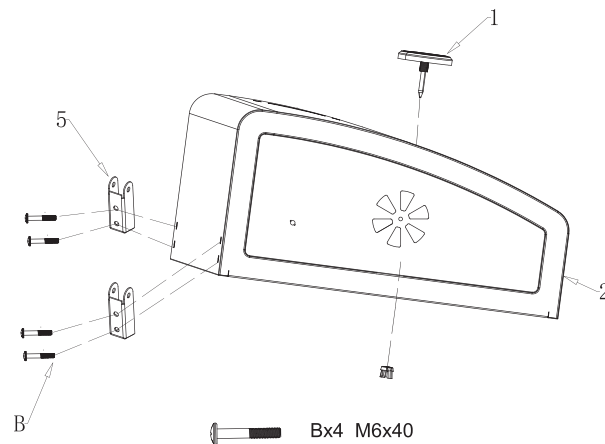
## EXPLODED VIEW OF DISASSEMBLY AND ASSEMBLY



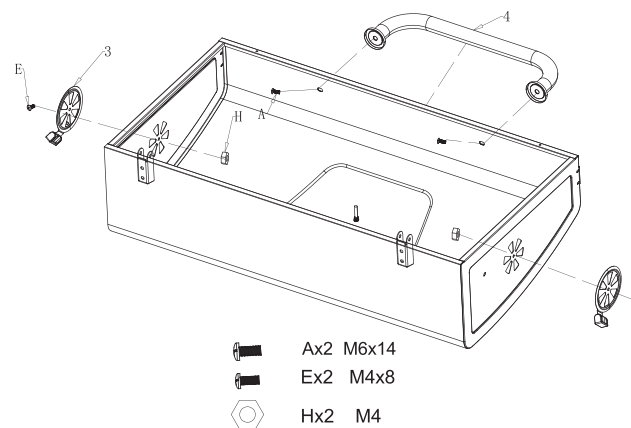
## ACCESSORIES LIST

Number	Picture	Quantity	Name
1		1	Thermometer
2		1	Upper lid
3		4	Airvent
4		1	Upper lid handle
5		2	Upper lid hinge
6		2	Grill hinge
7		1	Warming rack
8		3	Cooking grid
9		1	Grill back plate
10		1	Left charcoal pan
11		1	Right charcoal pan
12		1	Left grill plate

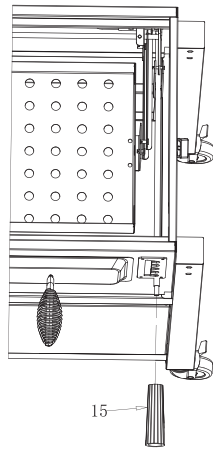
Step 19. Assemble the 2pcs upper lid hinge (5) to the upper lid using 4xM6x40 B. Assemble the thermometer (1) to the lid.



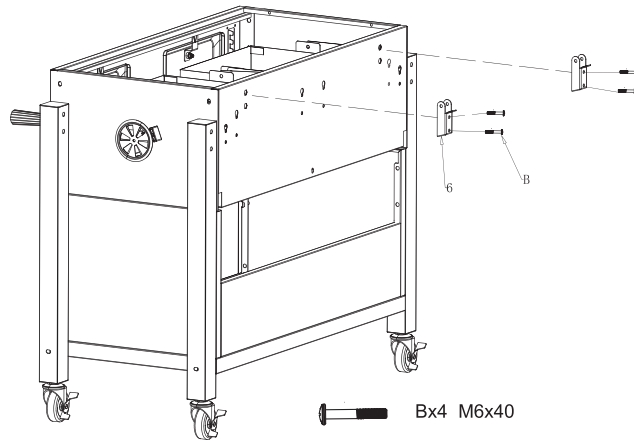
Step 20. Assemble the 2pcs airvents (3) to the upper lid using 2xM4x8 E screws and 2xM4 H nuts. Assemble the upper lid handle (4) to the upper lid (2) using 2xM6x14 A screws.



Step 17. Assemble the lifting handle (15) to the lifting rod (14).



Step 18. Assemble the 2pcs grill hinge (6) to the back grill plate using 4xM6x40 B.



Bx4 M6x40


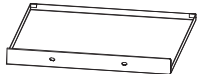


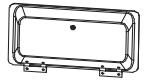

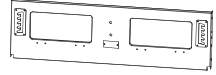

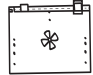


15

## ACCESSORIES LIST

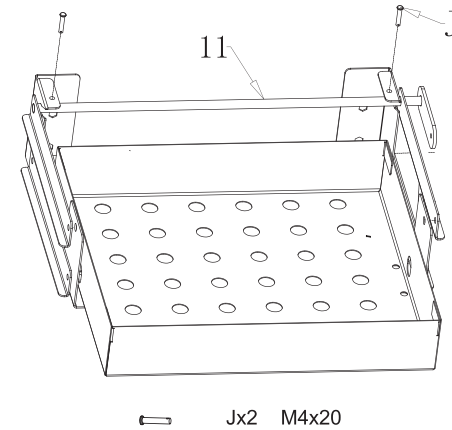
Number	Picture	Quantity	Name
13		2	Side pedal
14		2	Lifting rod
15		2	Lifting handle
16		4	Leg
17		2	Unlocking wheel
18		2	Side frame plate
19		2	Door
20		1	Bottom frame plate
21		4	Magnet
22		4	Door handle
23		1	Back frame plate
24		1	Upper crossbeam

4

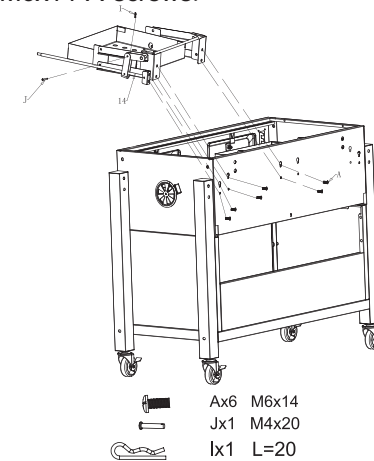
## ACCESSORIES LIST

Number	Picture	Quantity	Name
25		2	Strip of oil pan
26		2	Oil pan
27		2	Door handle
28		1	Frame support
29		2	Square door
30		2	Door fastener
31		1	Front grill plate
32		2	Locking wheel
33		1	Right grill plate
34		1	Bottle opener
35		8	Hook

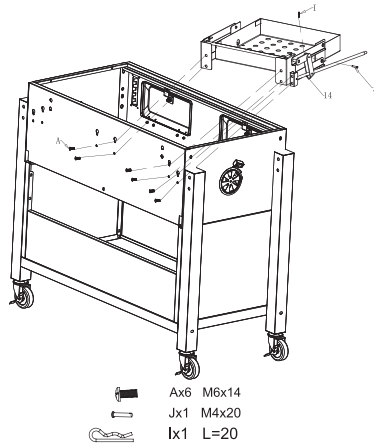
Step 15. Insert 2pcs M4x20 pin shaft (J) into the right charcoal pan assembled (11) .



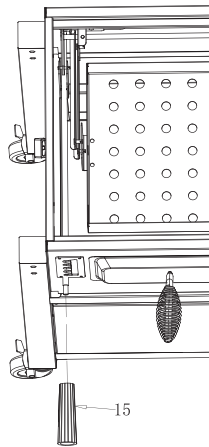
Step 16. Lock the lifting rod (14) to the right charcoal pan (11) using 1xM4x20 pin shaft J and 1x L=20 I .  
And assemble the right charcoal pan (11) and lifting rod (14) to the grill body using 6xM6x14 A screws.



Step 13. Lock the lifting rod (14) to the left charcoal pan (10) using 1xM4x20 pin J shaft and 1x L=20 I .  
 And assemble the left charcoal pan (10) and lifting rod (14) to the grill body using 6xM6x14 A screws.



Step 14. Assemble the lifting handle (15) to the lifting rod (14).



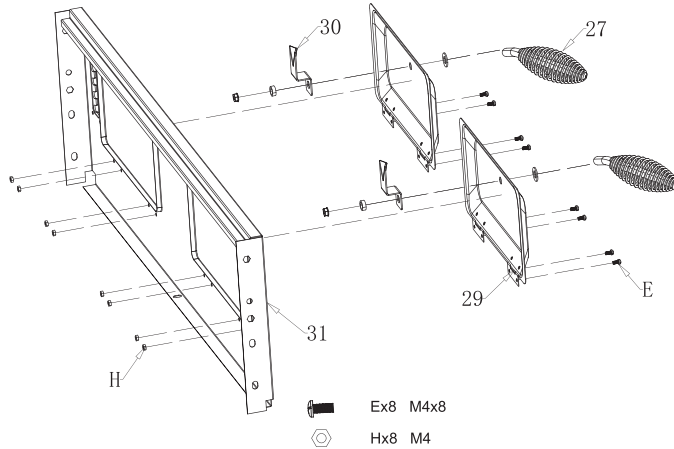
## ACCESSORIES LIST

Number	Picture	Quantity	Size
A		59	M6 X 14
B		10	M6 X 40
C		4	M6 X 70
D		8	M6 X 14
E		12	M4 X 8
F		8	M4 X 16
G		2	M6
H		12	M4
I		2	L=20
J		6	M4 X 20
K		4	M4 X 20

## INSTALLATION INSTRUCTIONS

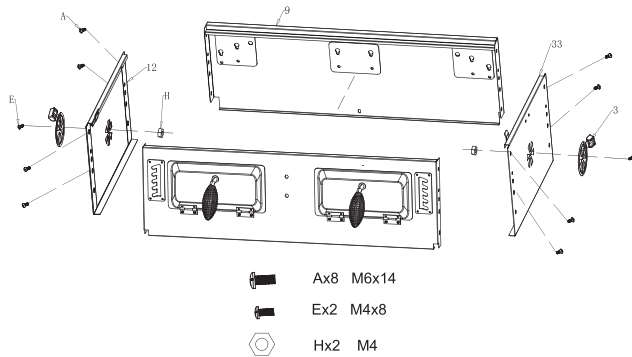
Step 1: Assemble the 2pcs square door (29) to the front grill plate (31) using 8xM4 E screws and 8xM4 H nuts.

Assemble the door handle (27) with the door fastener (30) using the nuts in the handle.



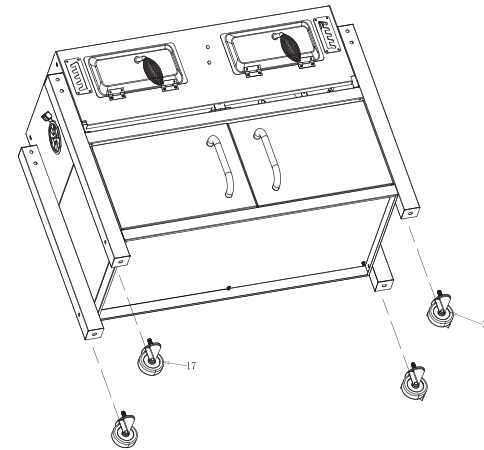
Step 2: Assemble the back grill plate (9) to the front plate with left grill plate (12) and right grill plate (33) using 8xM6x14 A screws.

Assemble the airvent to the left and right grill side plate using M4x8 E screws and 2xM4 H nuts.

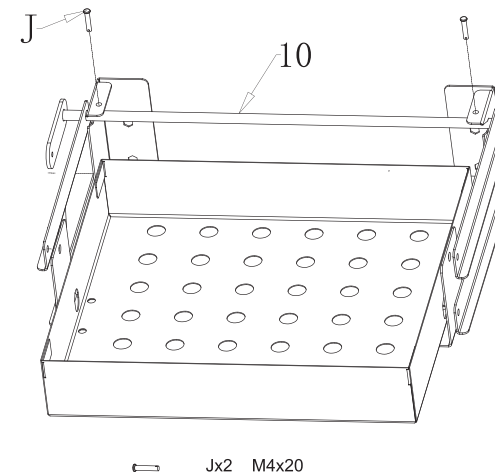


7

Step 11. Assemble the locking wheels (32) and unlocking wheels (17) to the four legs.

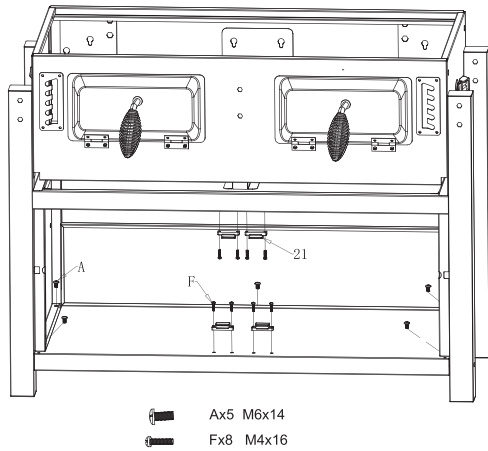


Step 12. Insert the 2pcs M4x20 Pin shaft J into the left charcoal pan(10).

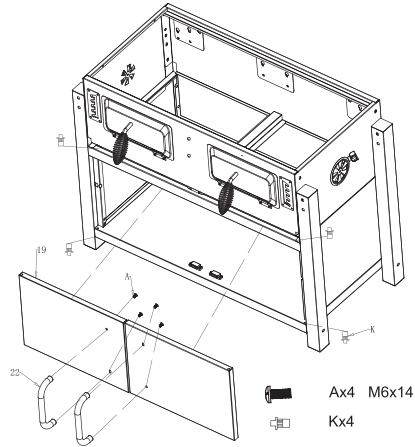


12

Step 9. Assemble the 2 pcs magnet (21) to the upper crossbeam and 2pcs magnets (21) to the frame bottom plate using 8xM4x16 F screws. Connect the side plate to the bottom frame plate and back frame plate using 5xM6x14 A screws.

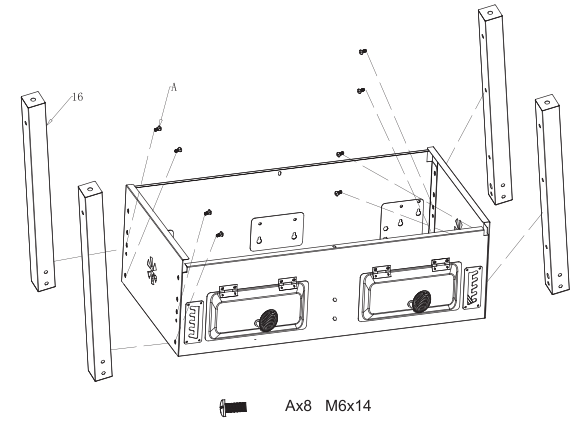


Step 10. Assemble the door handle (22) to the door (19) using 4xM6x14 screws. Insert the 2pcs door jack (K) into the bottom plate and 2pcs door jack (K) to the upper crossbeam.

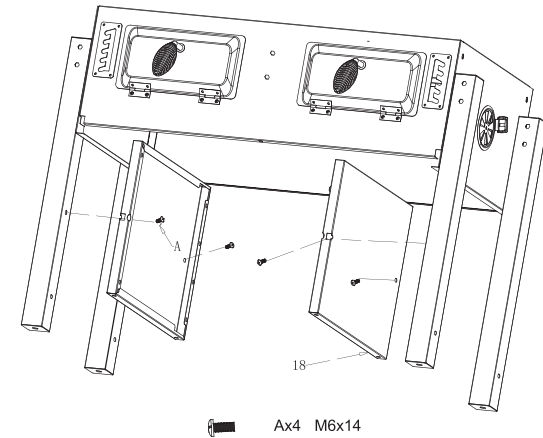


11

Step3. Assemble the legs (16) to the grill body assembled using 8xM6x14 A screws.

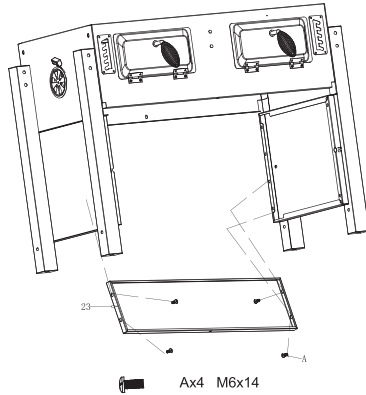


Step 4. Assemble the side frame plate (18) to the grill frame using 4xM6x14 A screws.

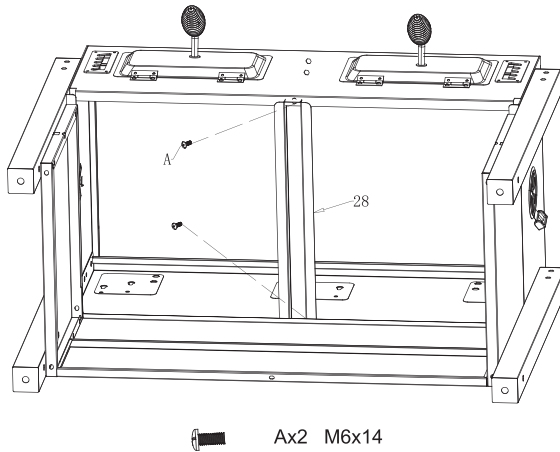


8

Step 5. Assemble the back frame plate (23) to the grill frame using 4xM6x14 A screws.

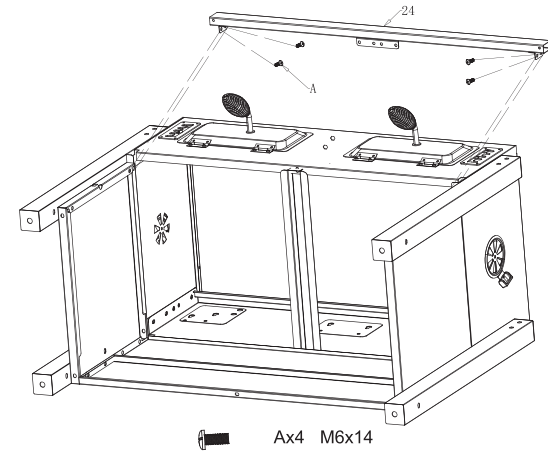


Step 6. Assemble the frame support (28) to the grill frame using 2xM6x14 A screws.

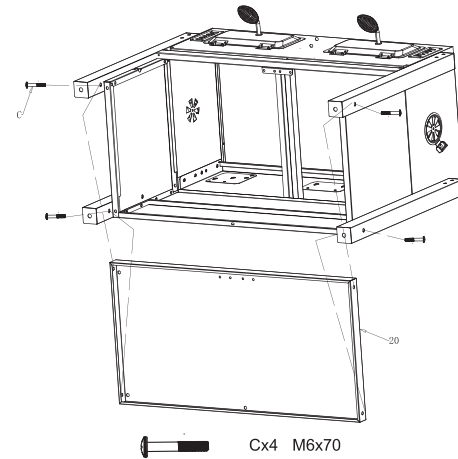


9

Step 7. Assemble the upper crossbeam (24) to the frame grill body using 4xM6x14 A screws.



Step 8. Assemble the bottom frame plate (20) to the frame grill body using 4xM6x70 C screws.



10