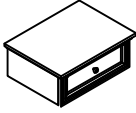

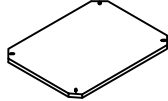
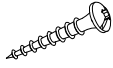




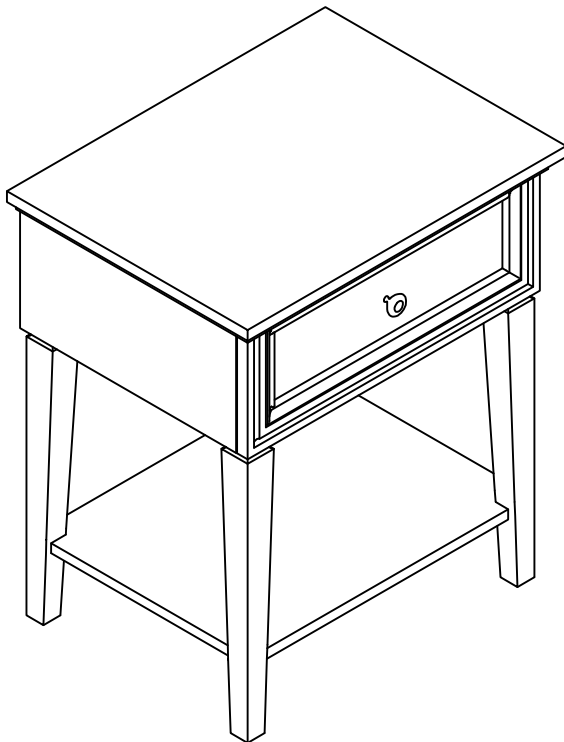


# ASSEMBLY INSTRUCTION

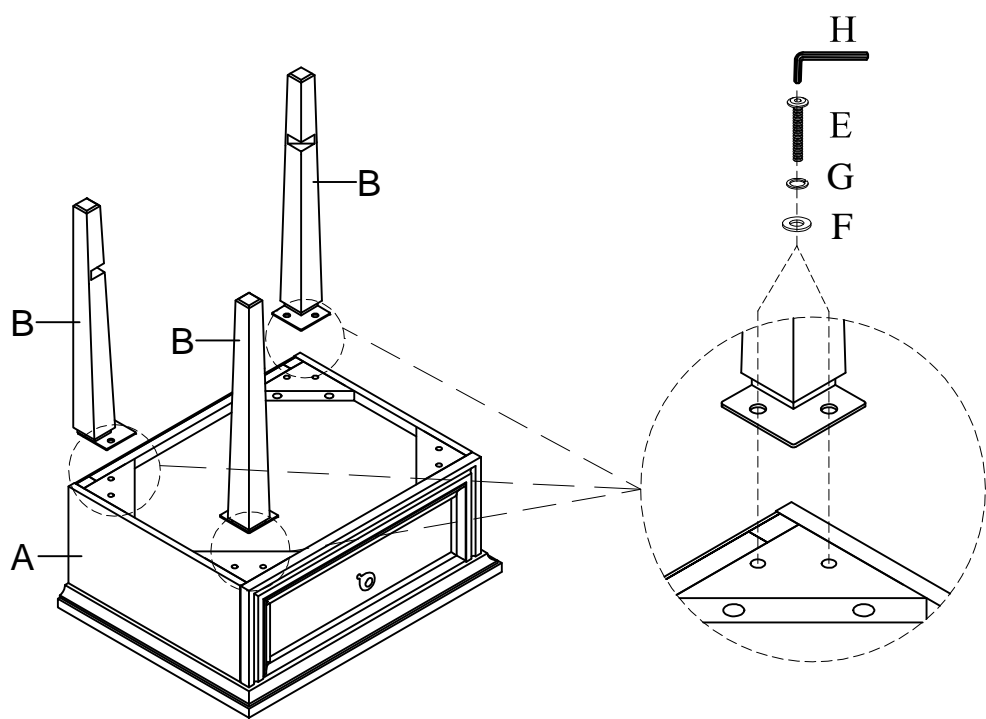
## 1 DRAWER NIGHTSTAND

<b>A</b> Nightstand  1 pc	<b>B</b> Legs  4 pcs	<b>C</b> Shelf  1 pc	<b>D</b> Screw #8*38mm  4 pcs
<b>E</b> Allen Bolt Ø5/16"*20mm  8 pcs	<b>F</b> Flat Washer Ø5/16"*19mm  8 pcs	<b>G</b> Lock Washer Ø5/16"*14mm  8 pcs	<b>H</b> Allen Key 4mm  1 pc

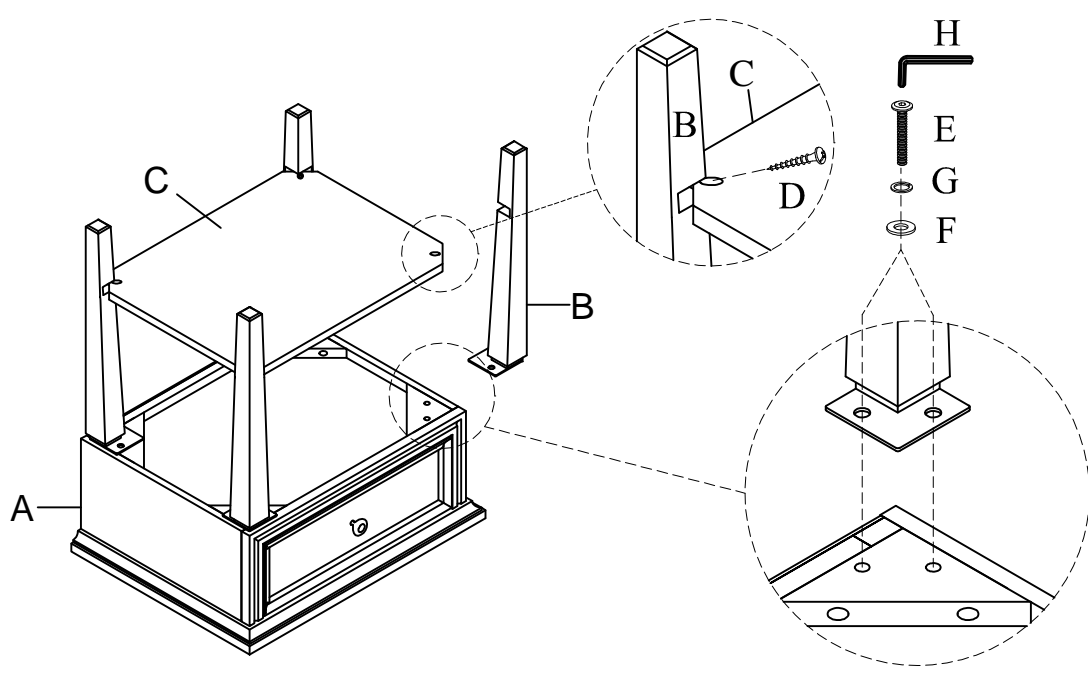


This page lists all the contents included in the box. Please take the time to identify the hardware as well as the individual components to this product. As you unpack and prepare for assembly, place the contents on a carpeted or padded area to protect them from damage.

**1** Attached three Legs (B) to the Nightstand (A). Use Allen Bolt (E), Lock Washer (G) and Flat Washer (F) on holes of Nightstand (A). Turn the Allen Key (H) in Allen Bolt (E).



**2** Attached Shelf (C) to the Leg (B). Use Screw (D) on holes of Shelf (C). Attached the rest of Leg (B) to the Nightstand (A) and Shelf (C) in last.



**Cleaning & Care**

Treat surface with care. Surface is resistant to scratches but is not scratch resistant. Clean surfaces with a dry or damp soft cloth. Do not use abrasive cleaners. Hardware may loosen over time. Periodically check that all connections are tight.