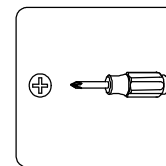
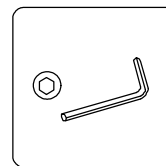
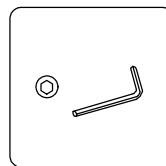
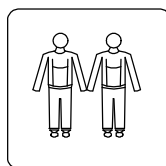


Computer Desk

User Manual



Warning: Please read this instruction manual carefully before using the product.

version: 1.0

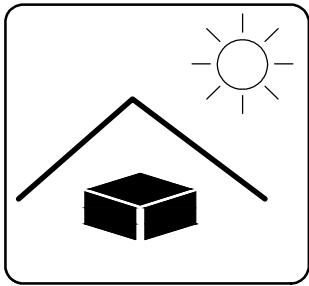
Package Contents

Plates and iron components

Assembly tool kit

Instruction manual

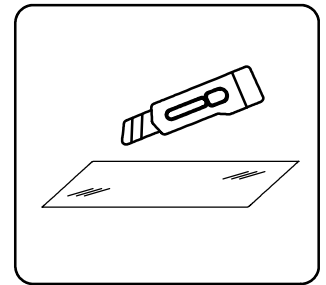
Precautions



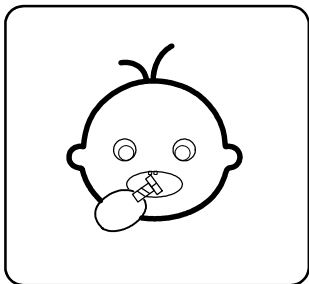
1. Avoid long-term direct sunlight exposure



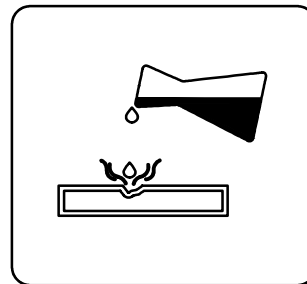
2. Stay away from fire



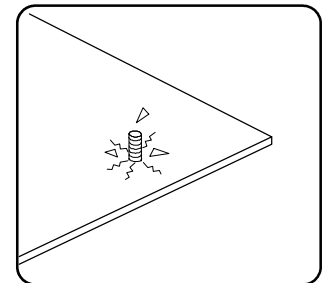
3. Keep away from sharp objects



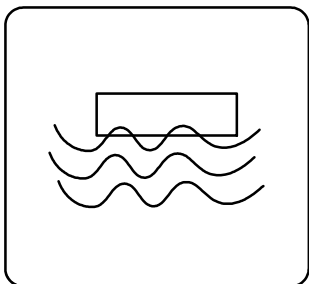
4. Keep infants/children away from assembly parts to avoid choking and suffocation.



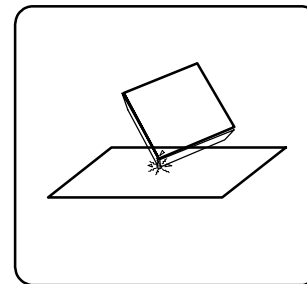
5. Keep away from corrosive substances



6. Pay attention to avoid over-tightening fasteners, or they may induce cracking within the board.



7. Prevent objects from being damaged by immersion in water



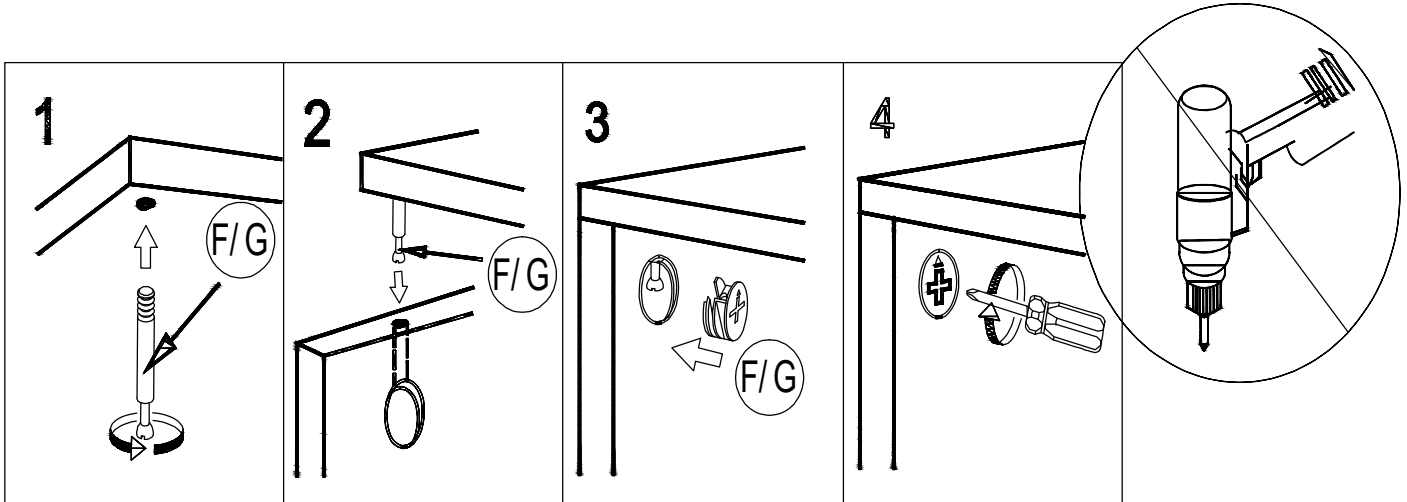
8. Prevent object collision and damage



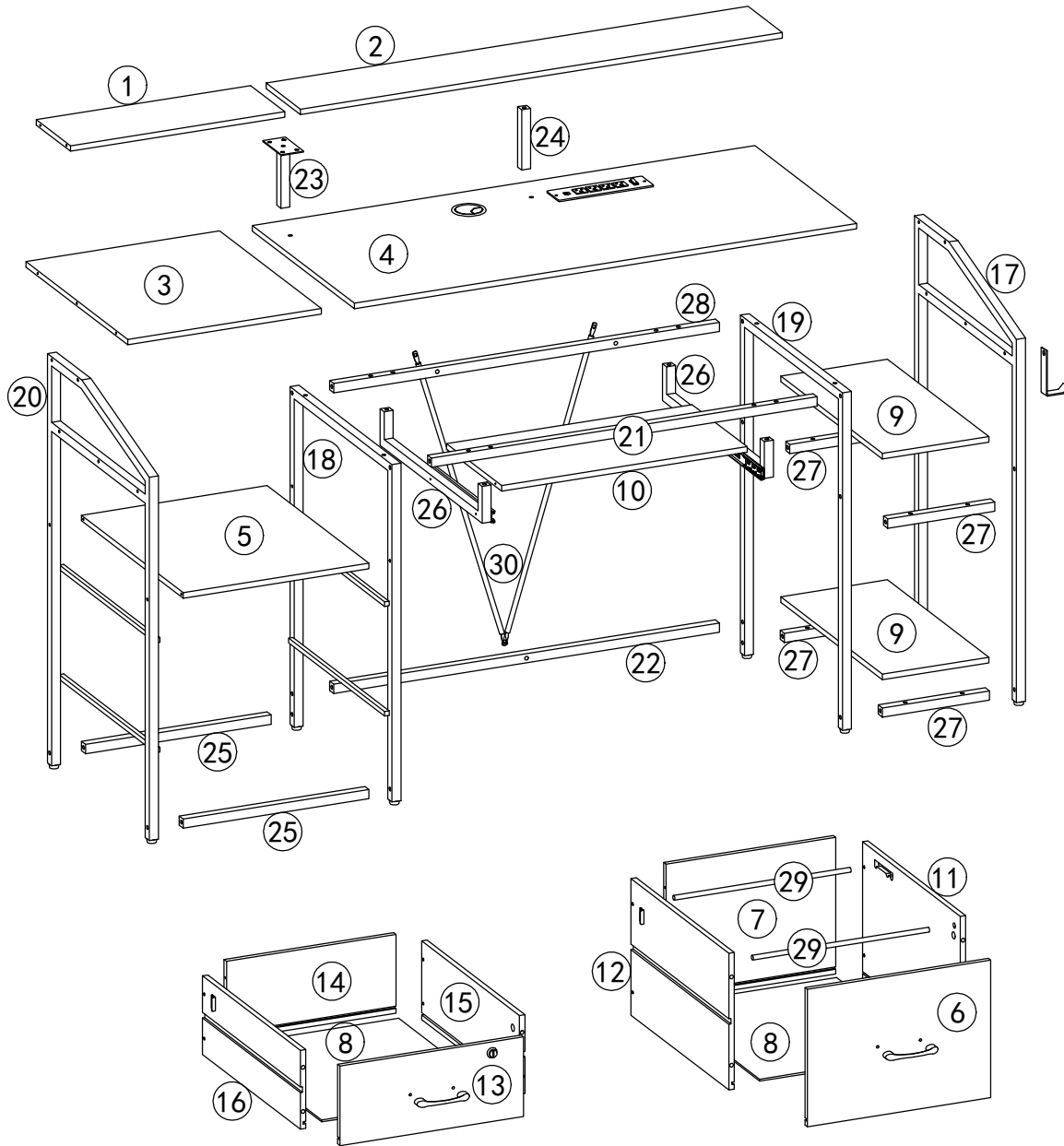
9. Be careful to avoid collisions

Installation of Cams and Pins

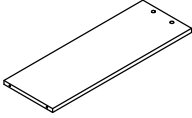
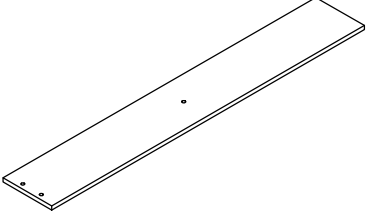
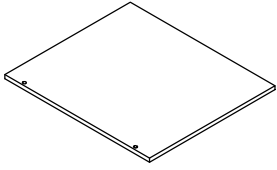
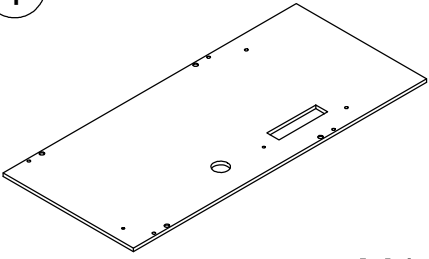
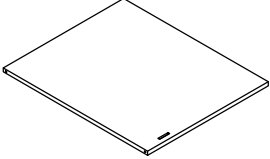
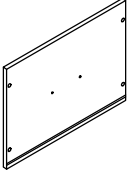
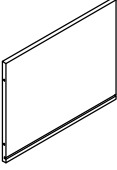
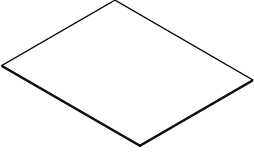
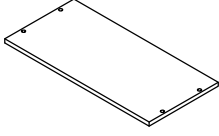
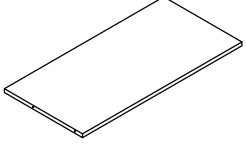
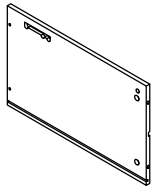
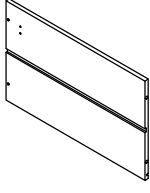
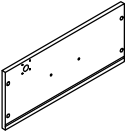
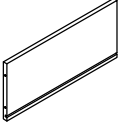
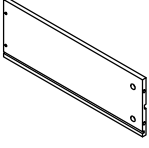
Screw the pin into the hole. To set the cams correctly, ensure that the arrow on the cam is opening o the hole of the pin it is locking. Lock the cam by tturning the cam head with a screwdriver until it is tightened. Please do not use an electric screwdriver to assemble the unit.



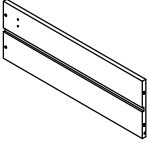
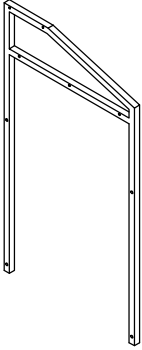
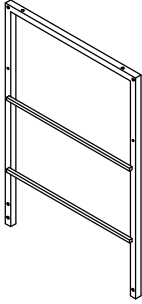
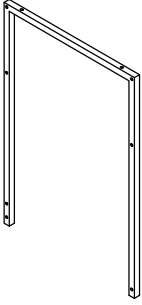
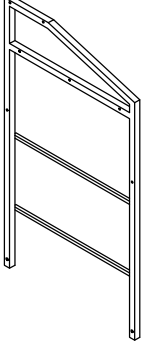
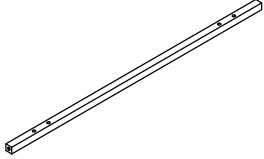
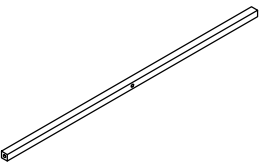
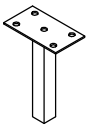

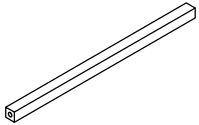
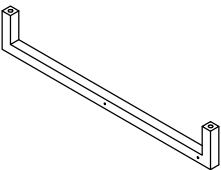
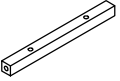
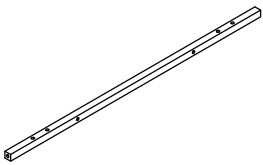
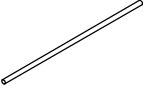

Disassembly Diagram



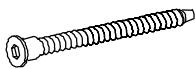
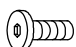

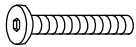
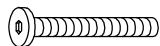





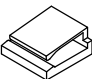

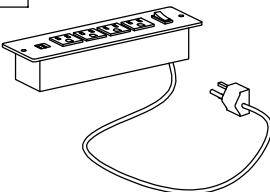

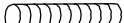

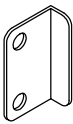
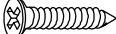
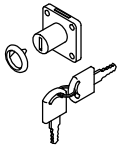


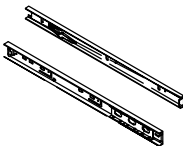
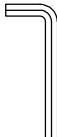


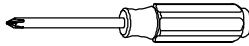
Parts List

<p>①</p>  <p>X1</p>	<p>②</p>  <p>X1</p>	<p>③</p>  <p>X1</p>
<p>④</p>  <p>X1</p>	<p>⑤</p>  <p>X1</p>	<p>⑥</p>  <p>X1</p>
<p>⑦</p>  <p>X1</p>	<p>⑧</p>  <p>X2</p>	<p>⑨</p>  <p>X2</p>
<p>⑩</p>  <p>X1</p>	<p>⑪</p>  <p>X1</p>	<p>⑫</p>  <p>X1</p>
<p>⑬</p>  <p>X1</p>	<p>⑭</p>  <p>X1</p>	<p>⑮</p>  <p>X1</p>

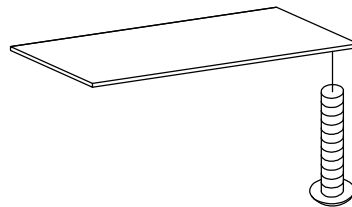
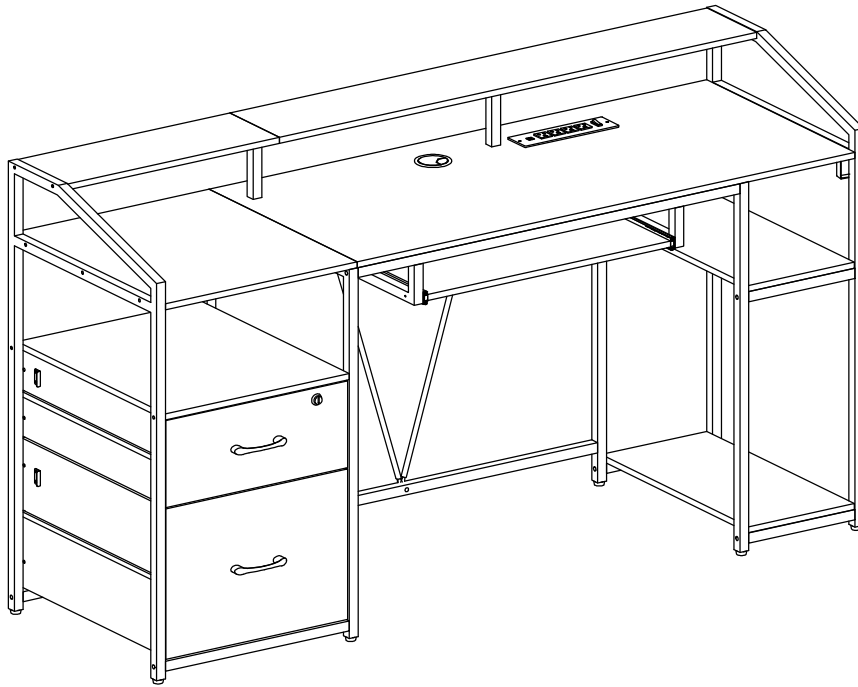
Parts List

<p>16</p>  <p>X1</p>	<p>17</p>  <p>X1</p>	<p>18</p>  <p>X1</p>
<p>19</p>  <p>X1</p>	<p>20</p>  <p>X1</p>	<p>21</p>  <p>X1</p>
<p>22</p>  <p>X1</p>	<p>23</p>  <p>X1</p>	<p>24</p>  <p>X1</p>
<p>25</p>  <p>X2</p>	<p>26</p>  <p>X2</p>	<p>27</p>  <p>X4</p>
<p>28</p>  <p>X1</p>	<p>29</p>  <p>X2</p>	<p>30</p>  <p>X2</p>

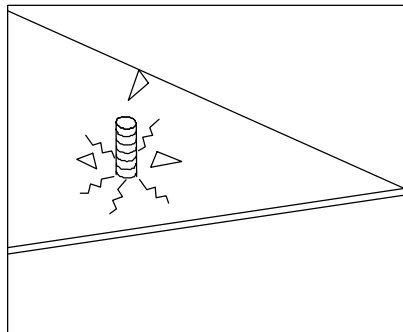
Tool sheet

<p>A ST5X40MM</p>  <p>X22+1</p>	<p>B M6X10MM</p>  <p>X4</p>	<p>C M6X25MM</p>  <p>X16+1</p>	<p>D M6X30MM</p>  <p>X5</p>	
<p>E M6x40MM</p>  <p>X22+1</p>	<p>F ST3.5X12MM</p>  <p>X14+1</p>	<p>G M4X16MM</p>  <p>X2</p>  <p>X4</p>		<p>H M6</p>  <p>X3</p>
<p>I</p>  <p>X1</p>	<p>J</p>  <p>X2</p>	<p>K</p>  <p>X1</p>	<p>L</p>  <p>X1</p>	
<p>M M8</p>  <p>X8</p>	<p>N M6X30MM</p>  <p>X1</p>	<p>O M6X40MM</p>  <p>X8</p>	<p>P</p>  <p>X4</p>	
<p>Q ST3.5X16MM</p>  <p>X4</p>  <p>X1</p>		<p>R ST4X16MM</p>  <p>X4</p>	<p>S 1.5M</p>  <p>X1</p>	<p>T</p>  <p>X2</p>
<p>4# 3#</p>  		 		

ASSEMBLY INSTRUCTION

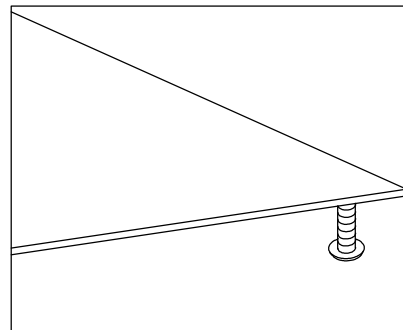


Make sure to use the correct screws to avoid damaging components



✘

Wrong size screw can split the board



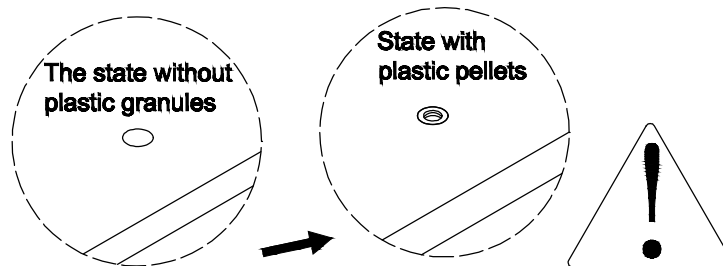
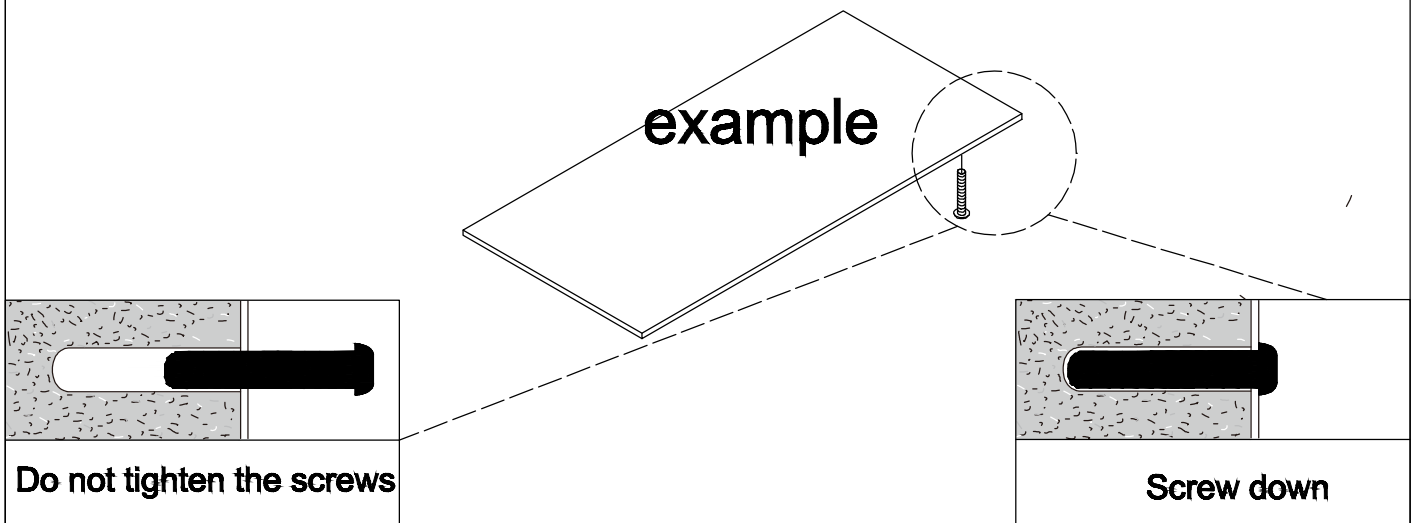
✔

Correct screw size is correct

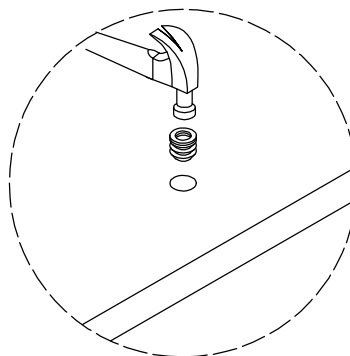
ASSEMBLY INSTRUCTION

Matters needing attention

- (1) When installing the screws in the installation step, the screws do not need to be tightened. After this installation step is confirmed and the holes are aligned, then tighten all the screws.
- (2) If the screws are tightened during the installation process, it will cause problems such as misalignment of the screw holes and misalignment of the board in subsequent installations.



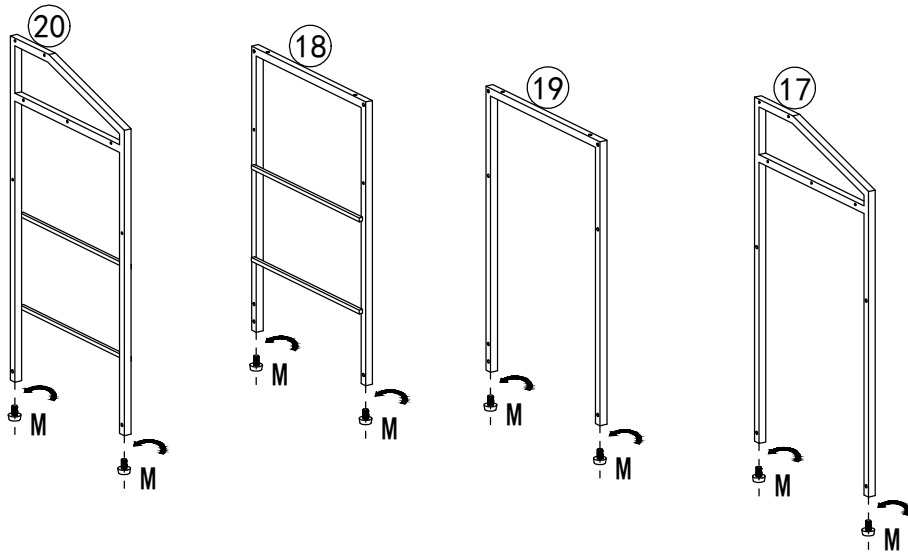
Note that if you find that there are no plastic granules on the wooden block, the table cannot be assembled, please don't worry, please use the spare plastic granules in the screw bag




Note, please use a tool to carefully align the plastic pellets with the holes and then knock them down

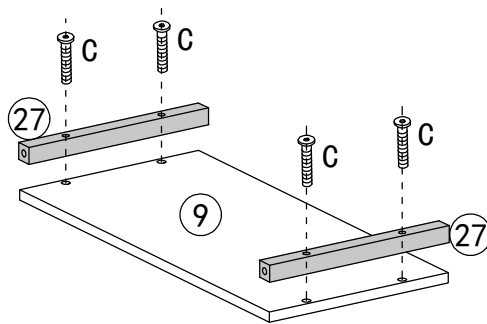
ASSEMBLY INSTRUCTION

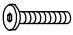
Step 1



M	X8
	
M8	

Step 2

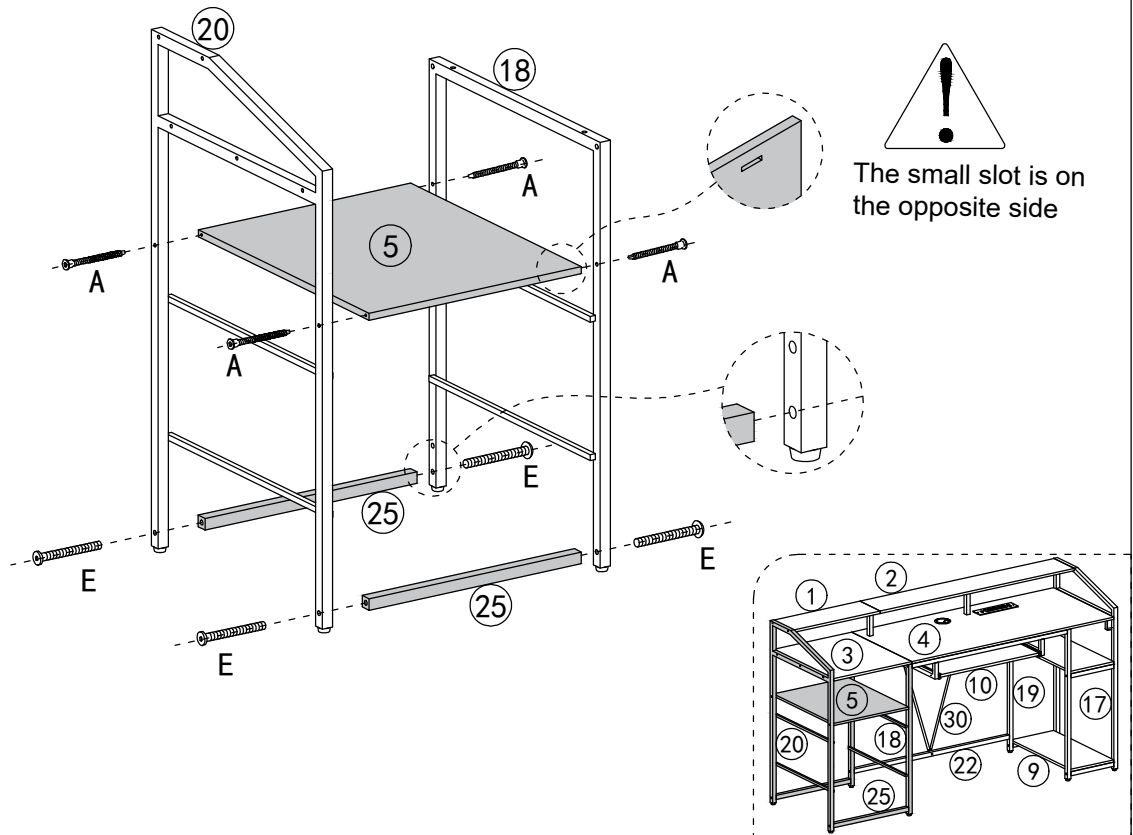



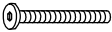
C	X8
	
M6X25mm	

X2

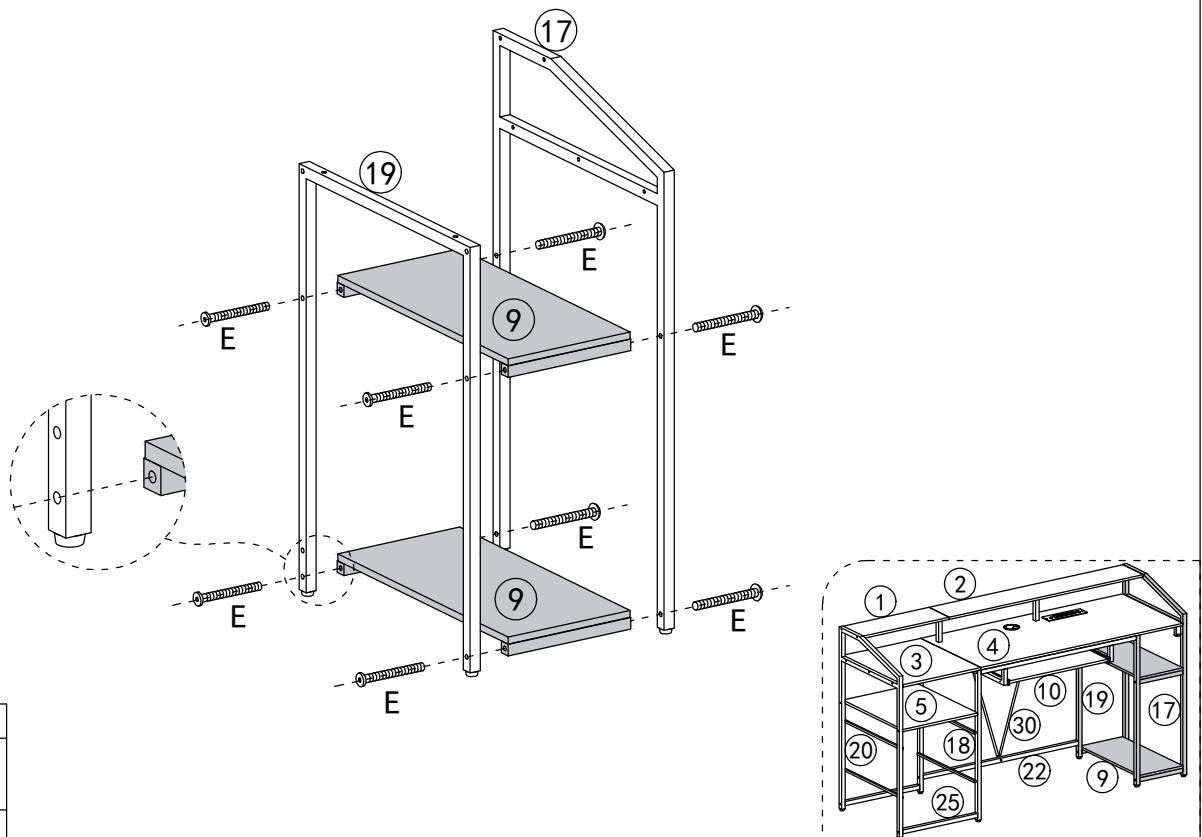
ASSEMBLY INSTRUCTION

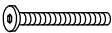
Step 3



A	X4
	
ST5X40mm	
E	X4
	
M6X40mm	

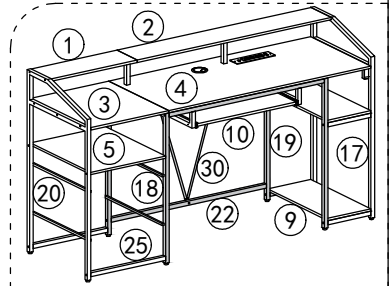
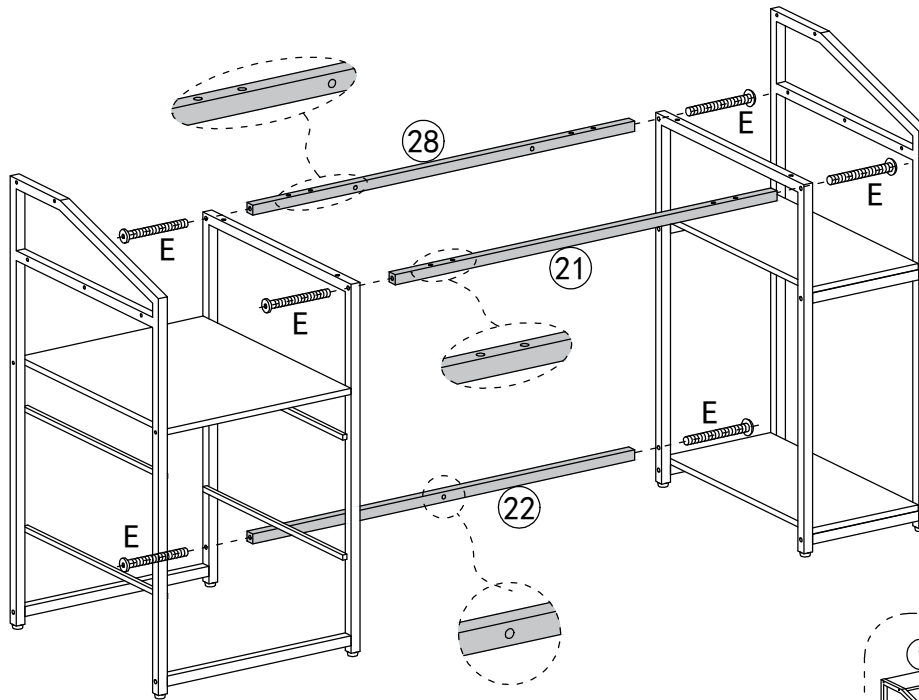
Step 4

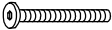


E	X8
	
M6X40mm	

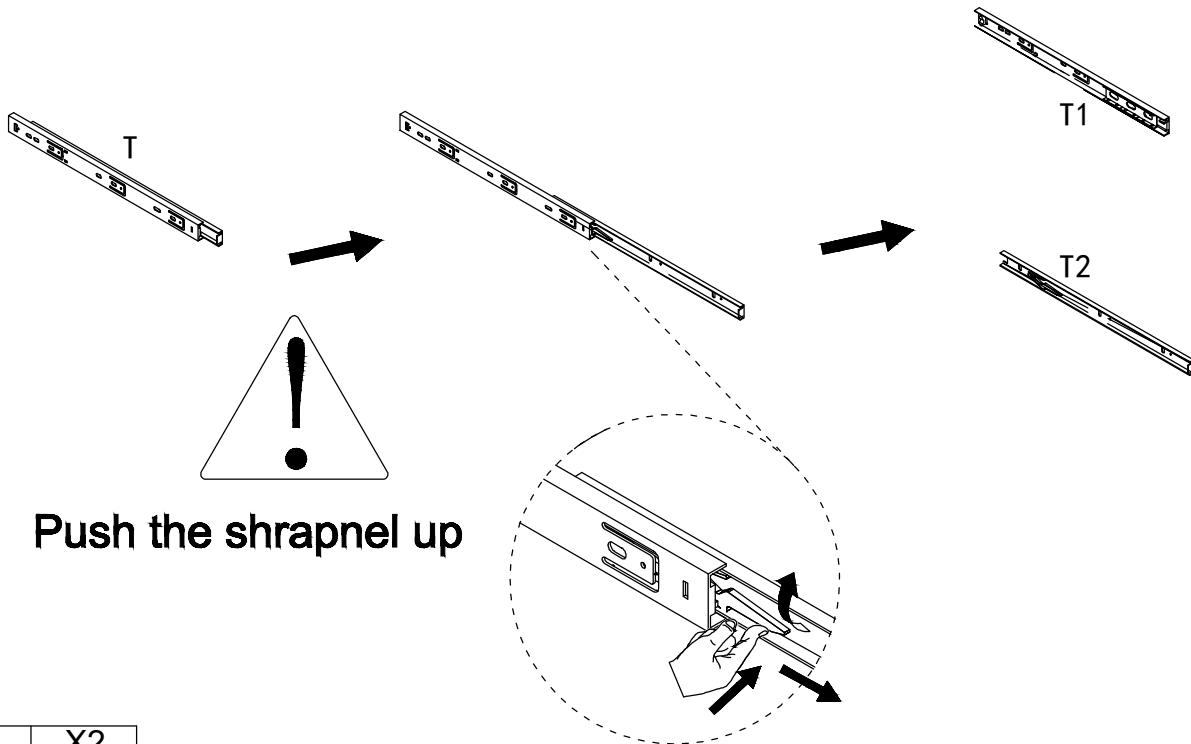
ASSEMBLY INSTRUCTION


Step 5



E	X6
	
M6X40mm	

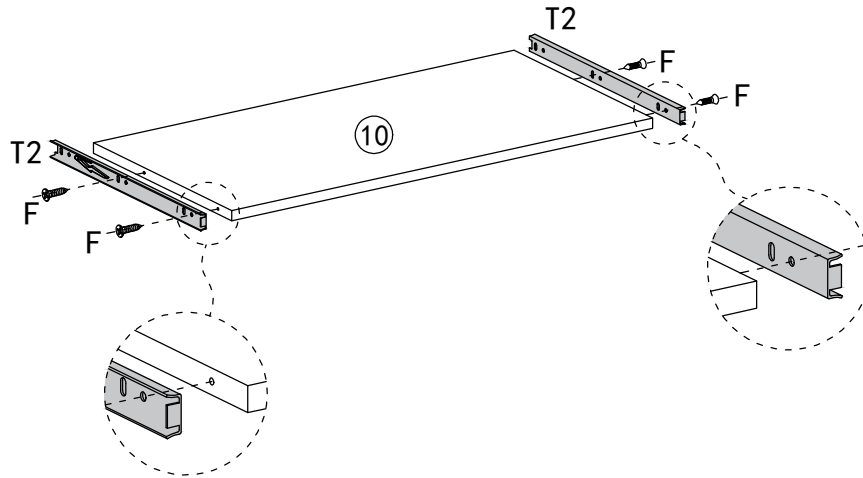
Step 6





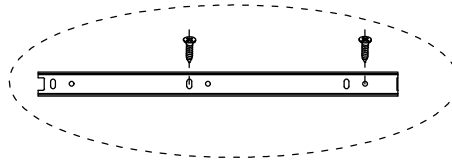
T	X2
	

ASSEMBLY INSTRUCTION

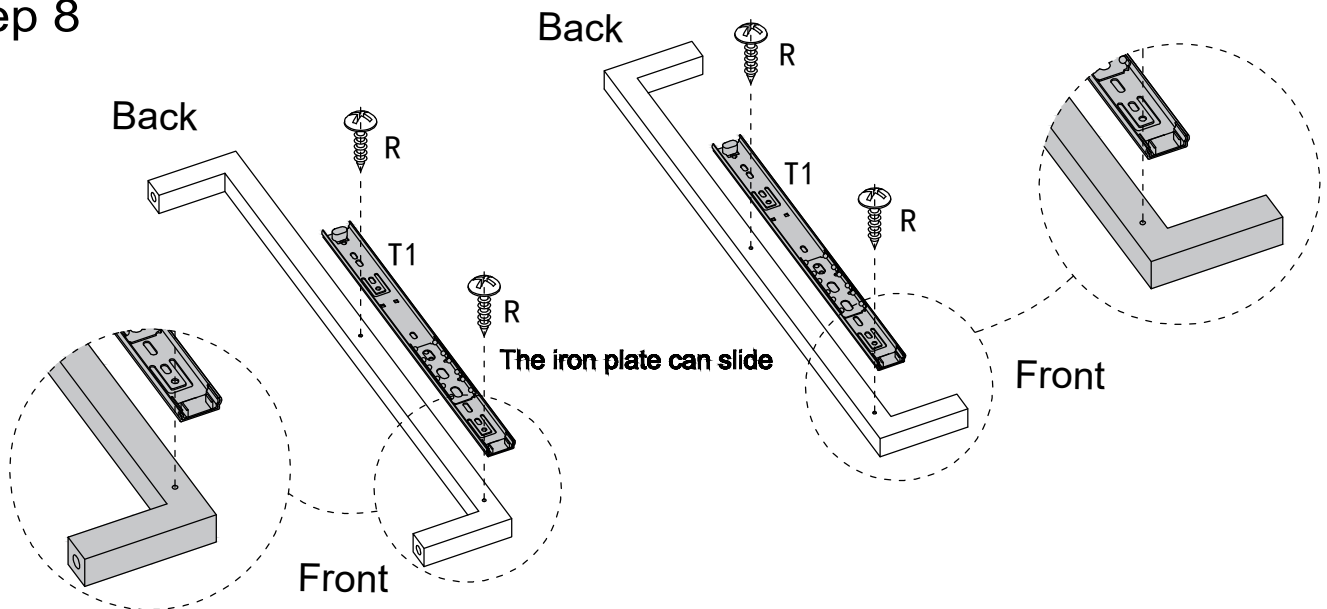
Step 7





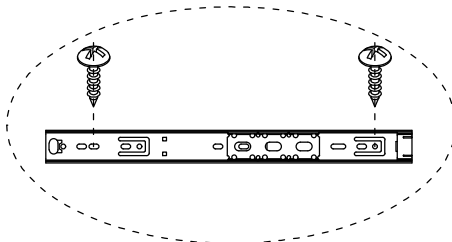
T2	X2
	
F	X4
	
ST3.5X12mm	



Step 8

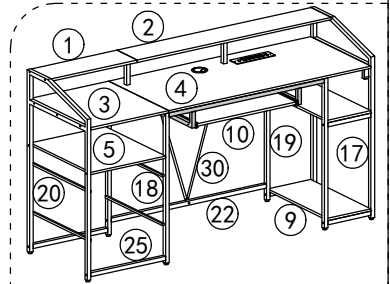
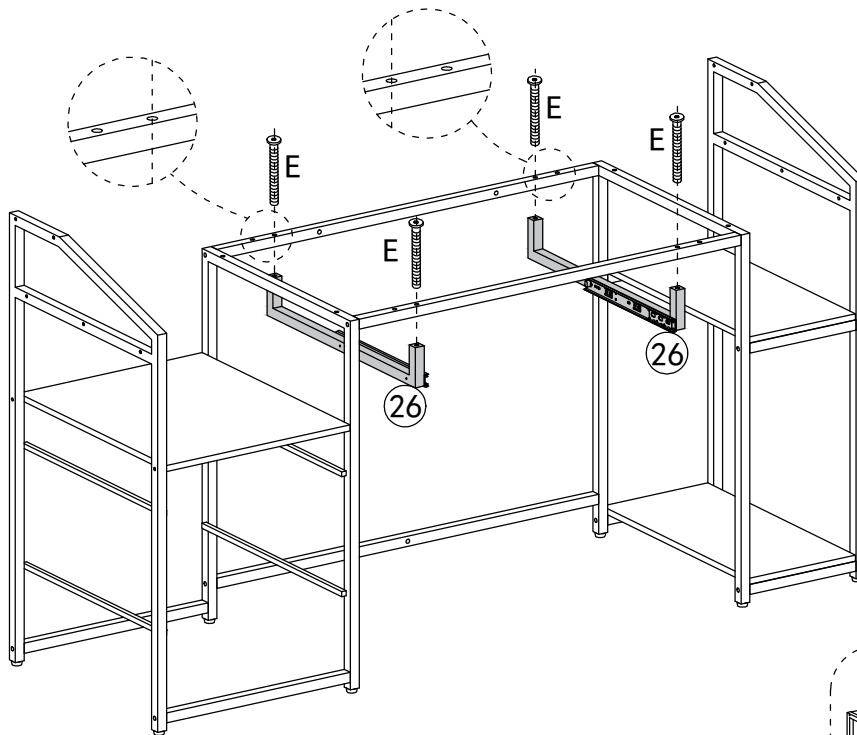


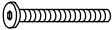
T1	X2
	
R	X4
	
ST4X16mm	



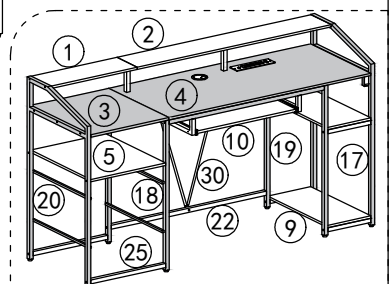
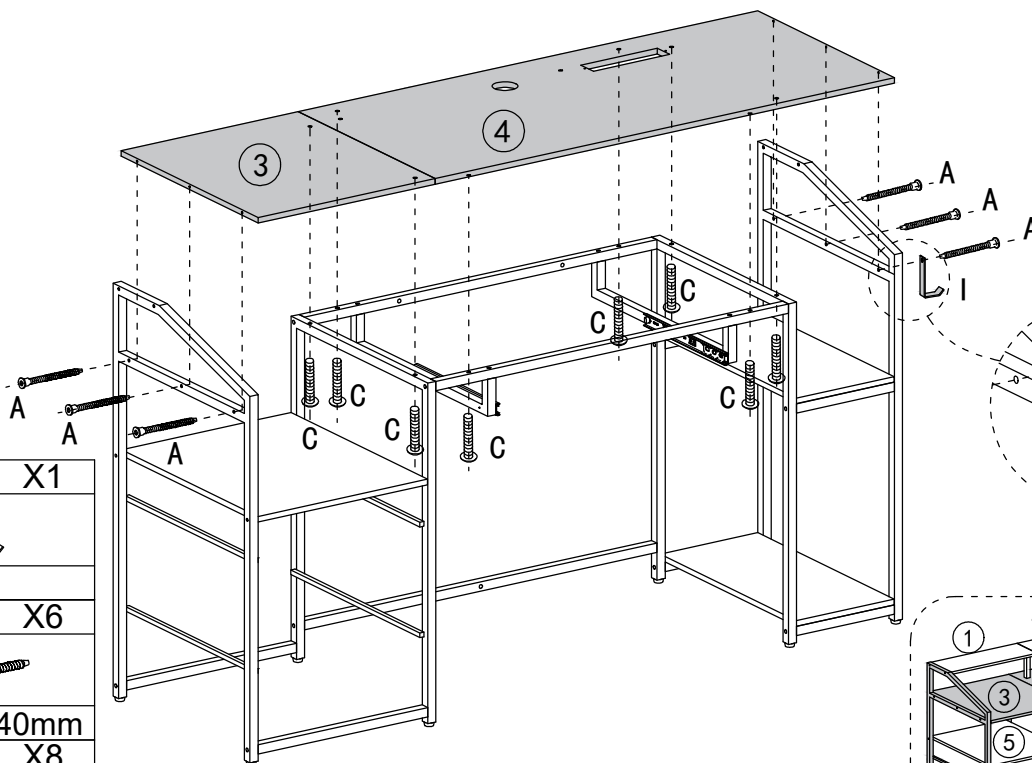
ASSEMBLY INSTRUCTION

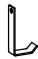

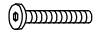
Step 9



E	X4
	
M6X40mm	

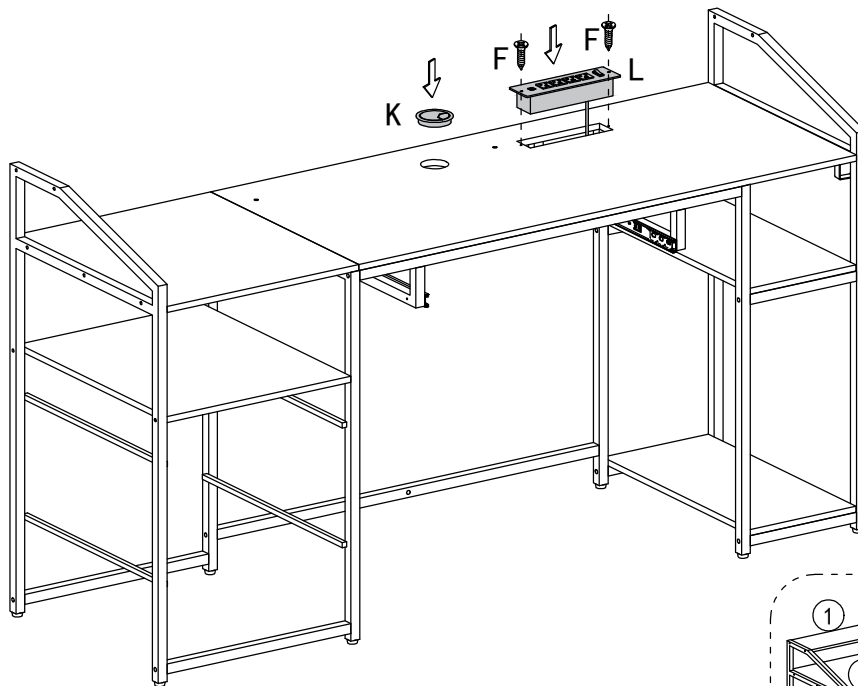
Step 10






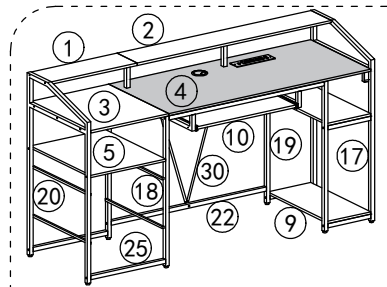
I	X1
	
A	X6
	
ST5X40mm	
C	X8
	
M6X25mm	

ASSEMBLY INSTRUCTION

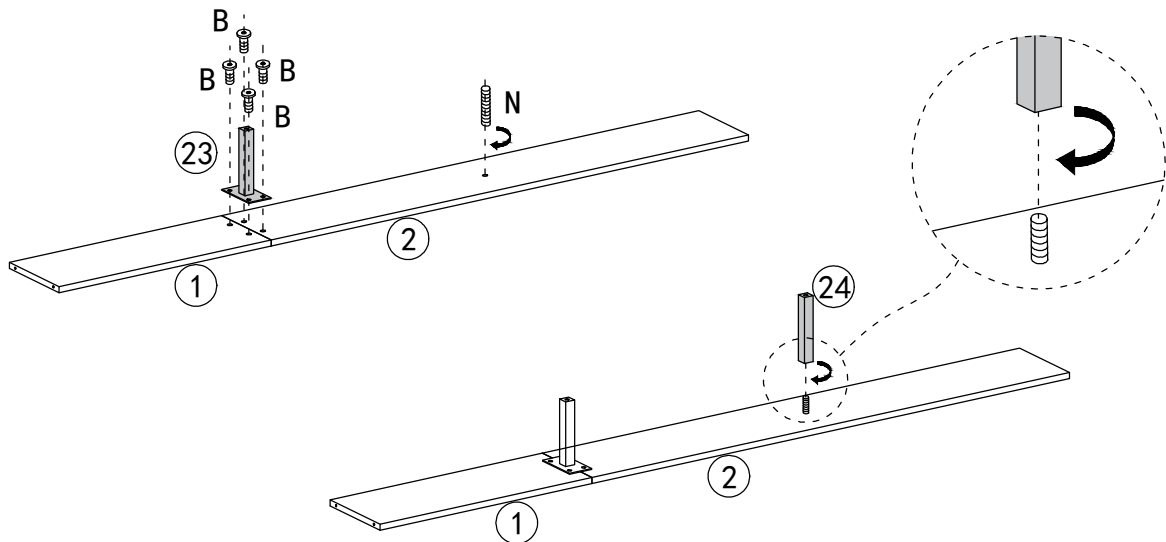
Step 11

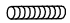
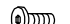


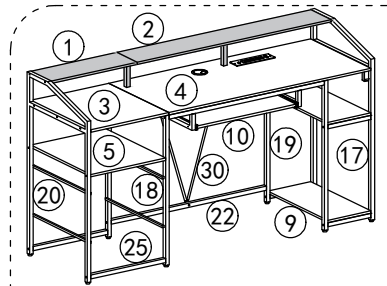
L	X1
	
K	X1
	
F	X2
	
ST3.5X12mm	



Step 12

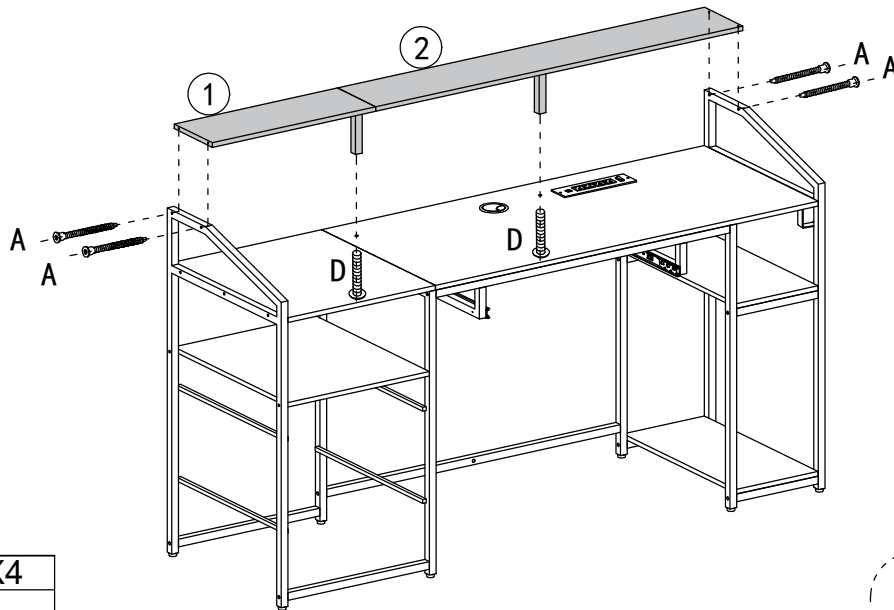




N	X1
	
M6X30mm	
B	X4
	
M6X10mm	

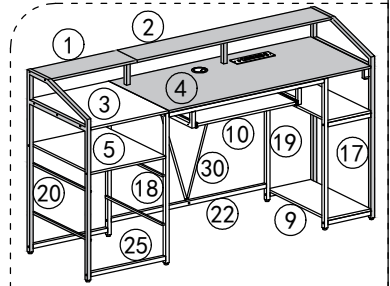


ASSEMBLY INSTRUCTION

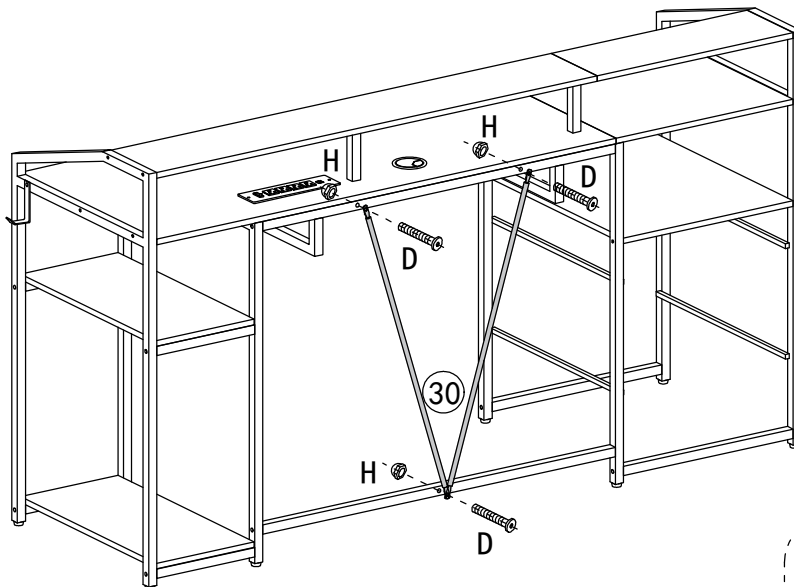
Step 13


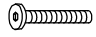


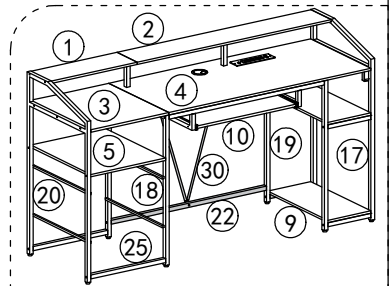
A	X4
	
ST5X40mm	
D	X2
	
M6X30mm	



Step 14

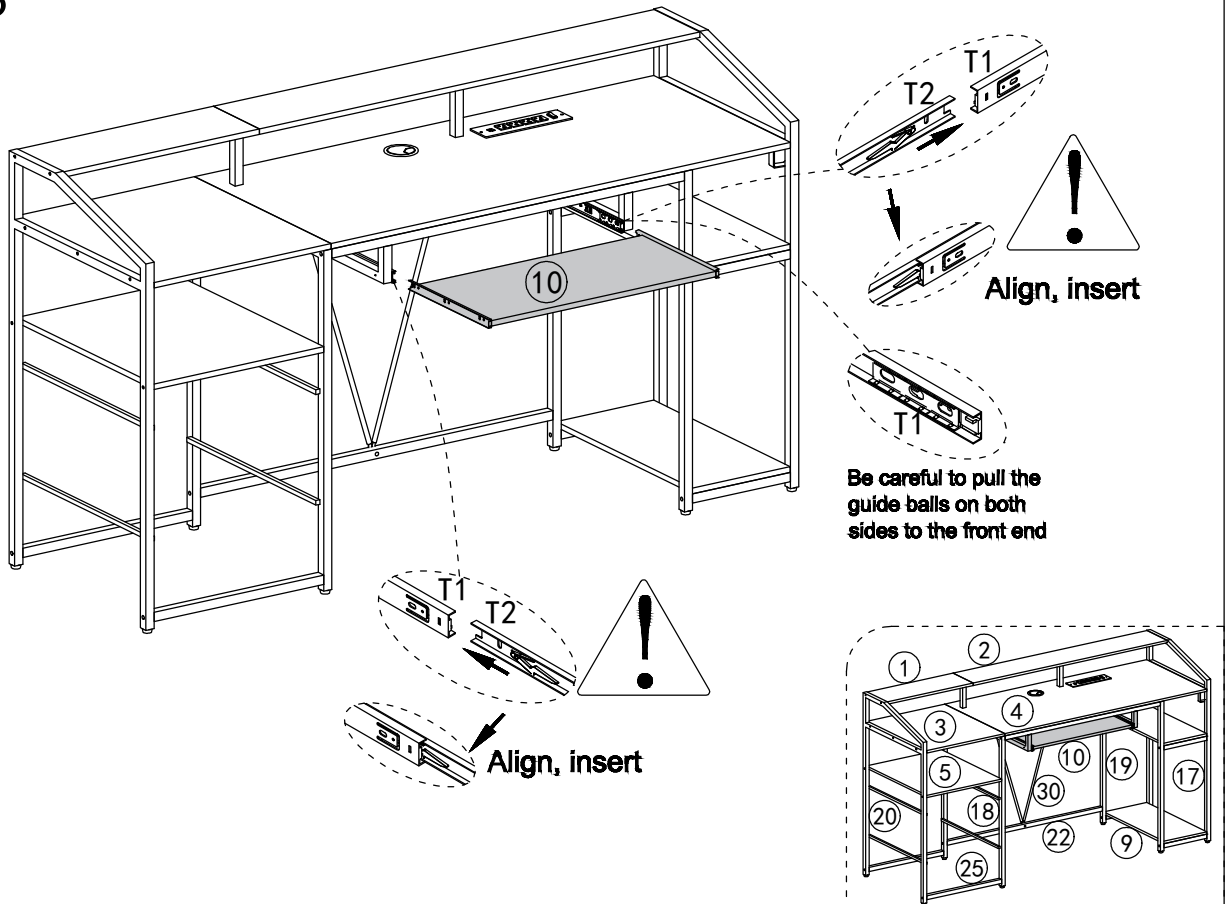


H	X3
	
M6	
D	X3
	
M6X30mm	

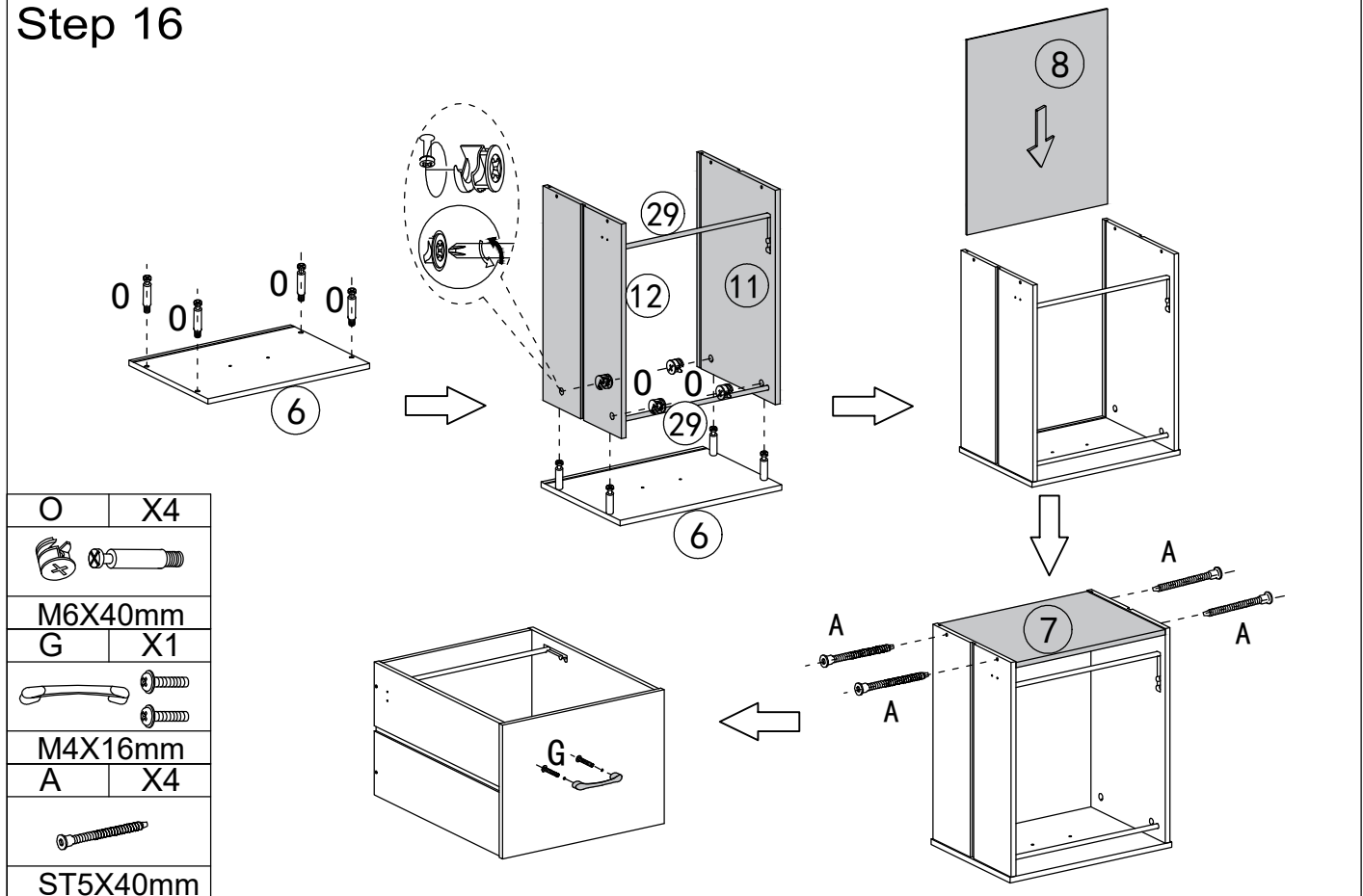


ASSEMBLY INSTRUCTION

Step 15

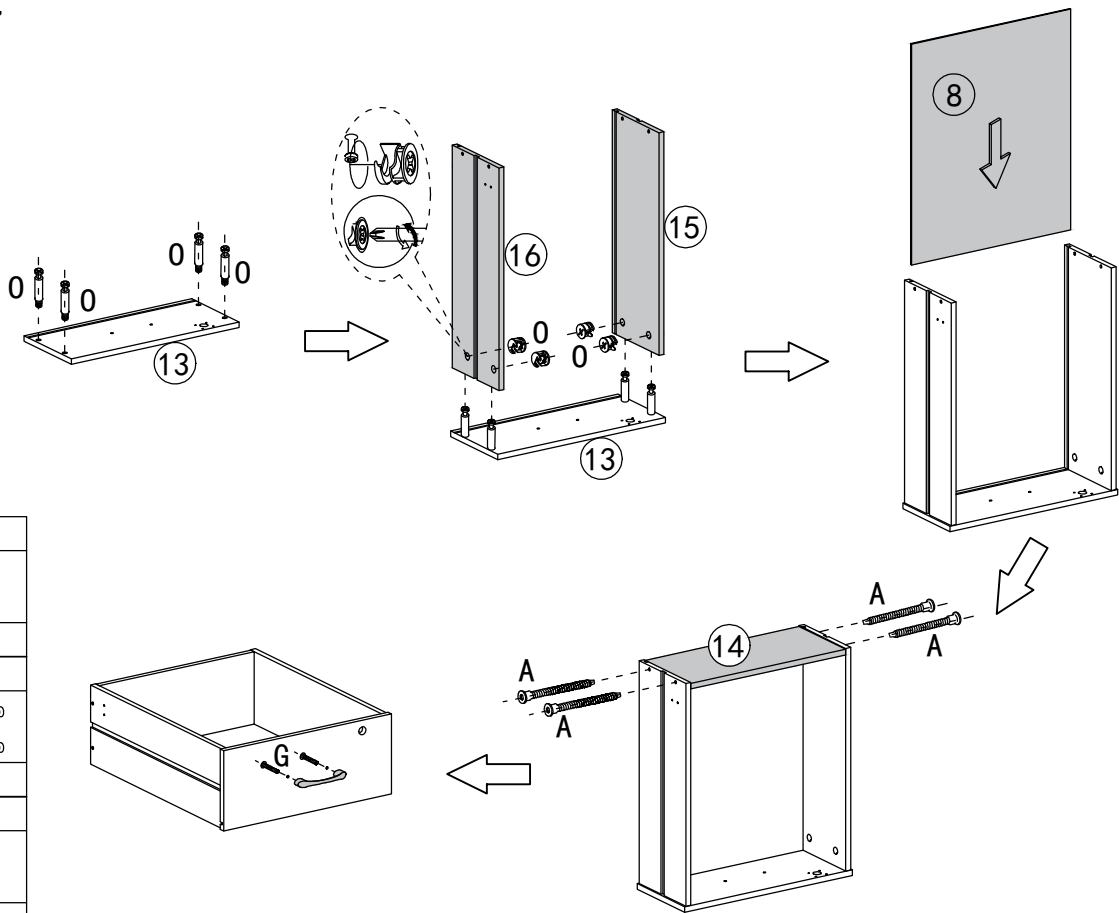


Step 16



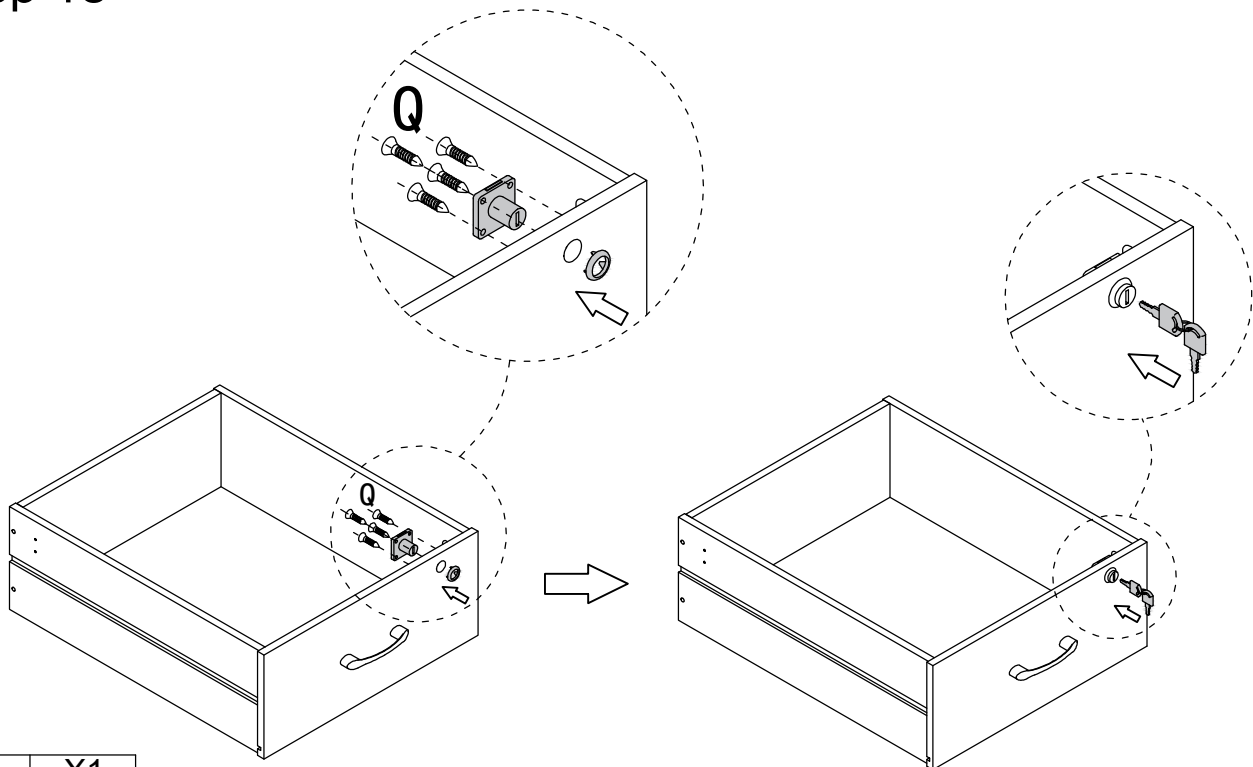
ASSEMBLY INSTRUCTION

Step 17



O	X4
M6X40mm	
G	X1
M4X16mm	
A	X4
ST5X40mm	

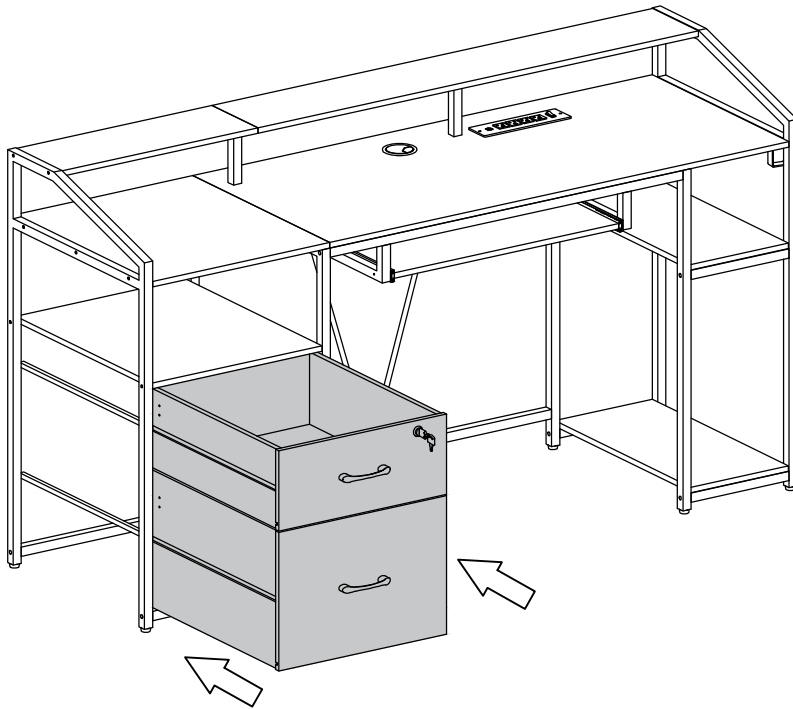
Step 18



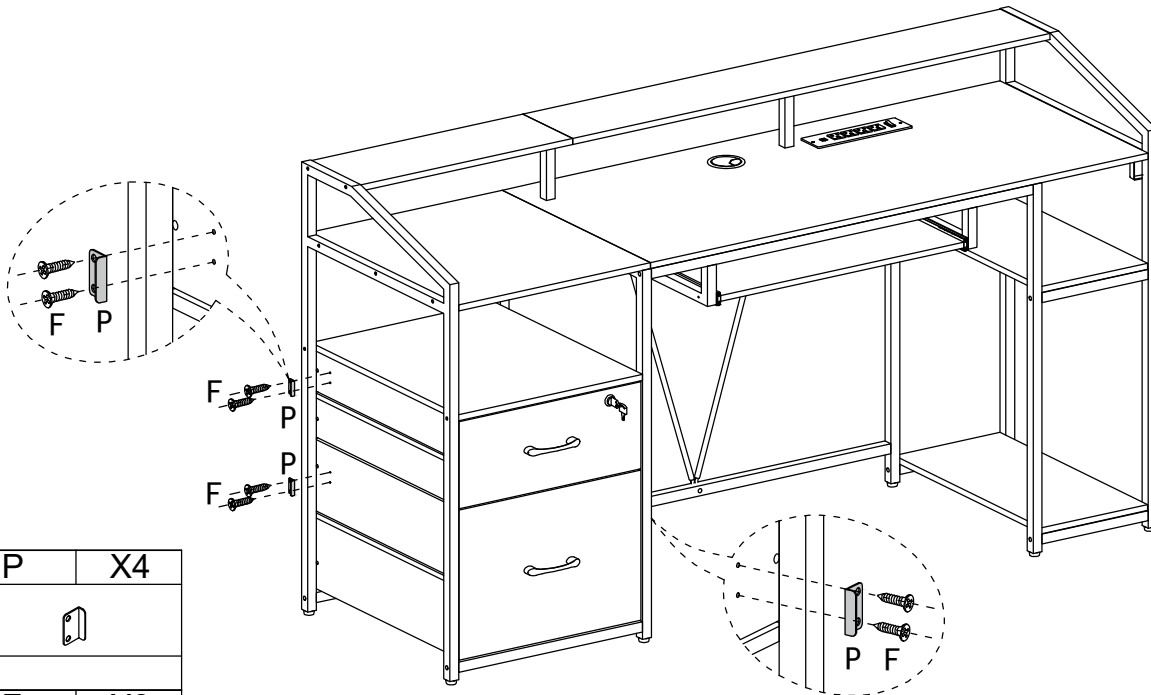
Q	X1
ST3.5X16mm	



ASSEMBLY INSTRUCTION

Step 19



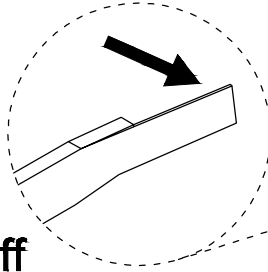
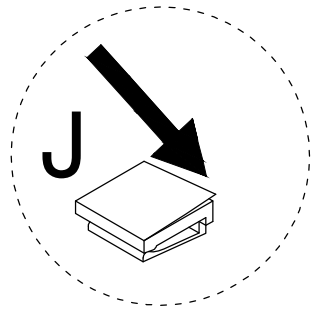
Step 20



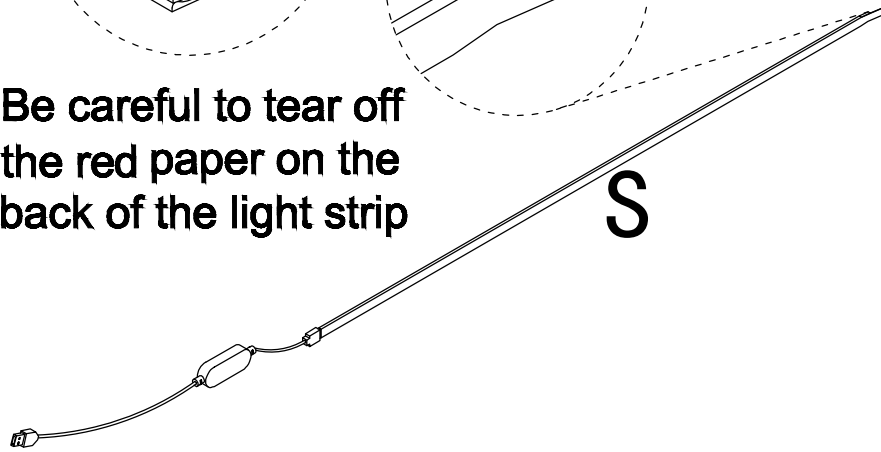
P	X4
	
F	X8
	
ST3.5X12mm	



ASSEMBLY INSTRUCTION

Step 21



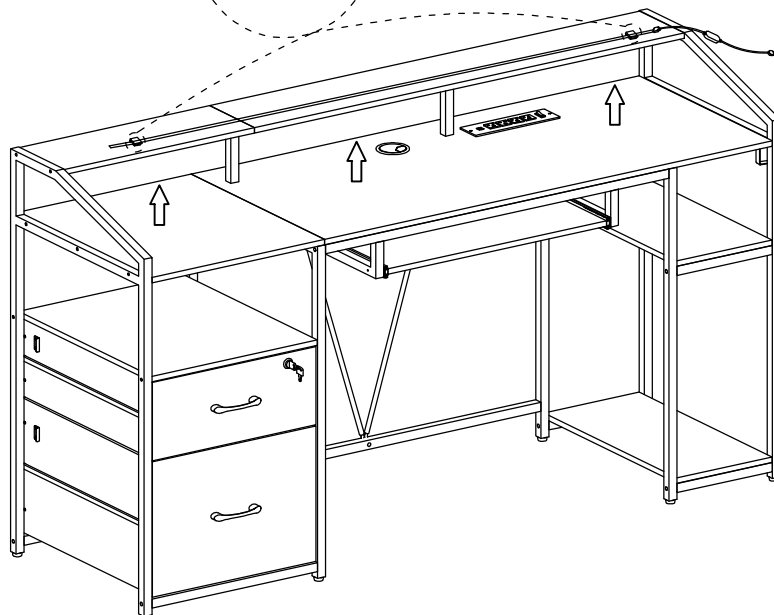
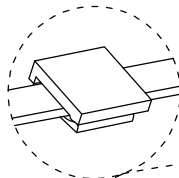
Be careful to tear off the red paper on the back of the light strip



S	X1
	
1.5M	
J	X2
	

Step 22

The light belt into the card slot and fix it, and then paste the light belt and transparent buckle to the desired position.

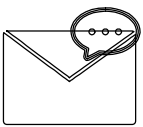


3-years warranty



We guarantee your product is free from defects in product material and workmanship for three(3) years starting from the date of purchase during normal use of household conditions. If your appliance fails to operate properly within our warranty period, We will send the corresponding accessories, Replacement is free and all shipping costs are covered.

Quick Response within 24 Hours



If you are still unable to resolve the issue you are experiencing, please contact us immediately via our support email. It doesn't matter if the product has been installed or not, our customer support team will respond within 24 hours and assist you quickly and efficiently. The most efficient way to confirm your problem to us is to attach a video, which illustrates your product issues.

Problems You May Encounter

PART	PROBLEM	SOLUTION
whole Product	Parts are missing, defective or having wrong parts in package.	you can contact us and we will get back to you within 24 hours
	Having issue(s) while reading the instruction or completing the assembly.	Feel free to contact us and we will get back to you within 24 hours.
	Encountering non-human caused damage during usage.	If the product is damaged due to non-human causes, please keep the product and send us photos of it. We will ascertain the cause of the product damage within 48 hours and provide you with a satisfactory solution.
Table Surface	Board Surface is broken, scratched or lack of some screw holes.	Feel free to contact us and we will get back to you within 24 hours.
	The screw holes on the wooden board and other wooden boards are not aligned.	1.Please tighten the screws on the board by 70% , do not tighten completely. 2. Adjust the wooden board and board.Until the holes are arranged neatly, then tighten all screws
	Desktop misalignment and unevenness	1.Please tighten the screws connecting the table board to the elevator by 70%, do not tighten them completely. 2.Adjust to a flat and aligned desktop, then tighten the screws. 3.If your problem still can't be solved, please feel free to contact us.
Metal accessories	Metal accessories are damaged, rusted, bent, and broken.	Feel free to contact us and we will get back to you within 24 hours.
	The table is unstable after being assembled.	1.Check if the screws are tightened. 2.Read throughout the manual, check are there any parts installed incorrectly or missing assembled. 3.If your problem still can't be solved, please feel free to contact us.
	Encountering non-human caused damage during usage.	If the product is damaged due to non-human causes, please keep the product and send us photos of it. We will ascertain the cause of the product damage within 48 hours and provide you with a satisfactory solution.

Create a more relaxing office space

Thank you for choosing our product