

### Features:

---

- Tilting rectangular rain shower head
- Brass construction with 117 rubber nozzles
- Ceiling mounted installation recommended
- Arm and flange sold separately
- Outfitted with a 1.75GPM flow regulator, with backflow prevention, Max. flow rate: 1.8GPM
- Maximum tilting angle: 19 degrees

### Finish Options:

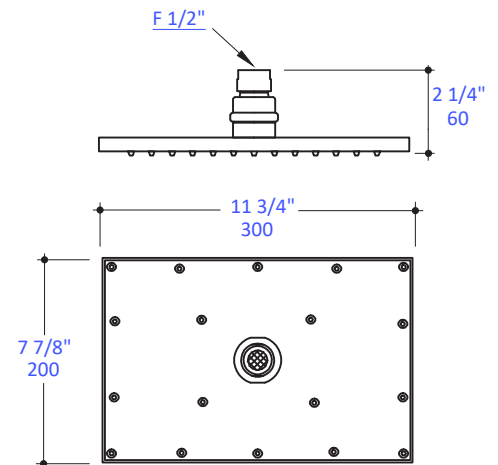
---

- CR - Polished Chrome

### Codes + Standards:

---

- Meets and exceeds applicable national codes
- Meets Cal-green requirement
- Complies with CEC standard



### Recommended Accessories:

---

- Item #1471A: Wall-mount rectangular shower arm with flange
- Item #W1069: Ceiling-mount square shower arm with flange

LACAVA reserves the right to revise any dimension or information on this sheet without notice. Dimensions are nominal and may vary within an industry accepted tolerance of 1/4\"/>

Revised: 11/14/2023