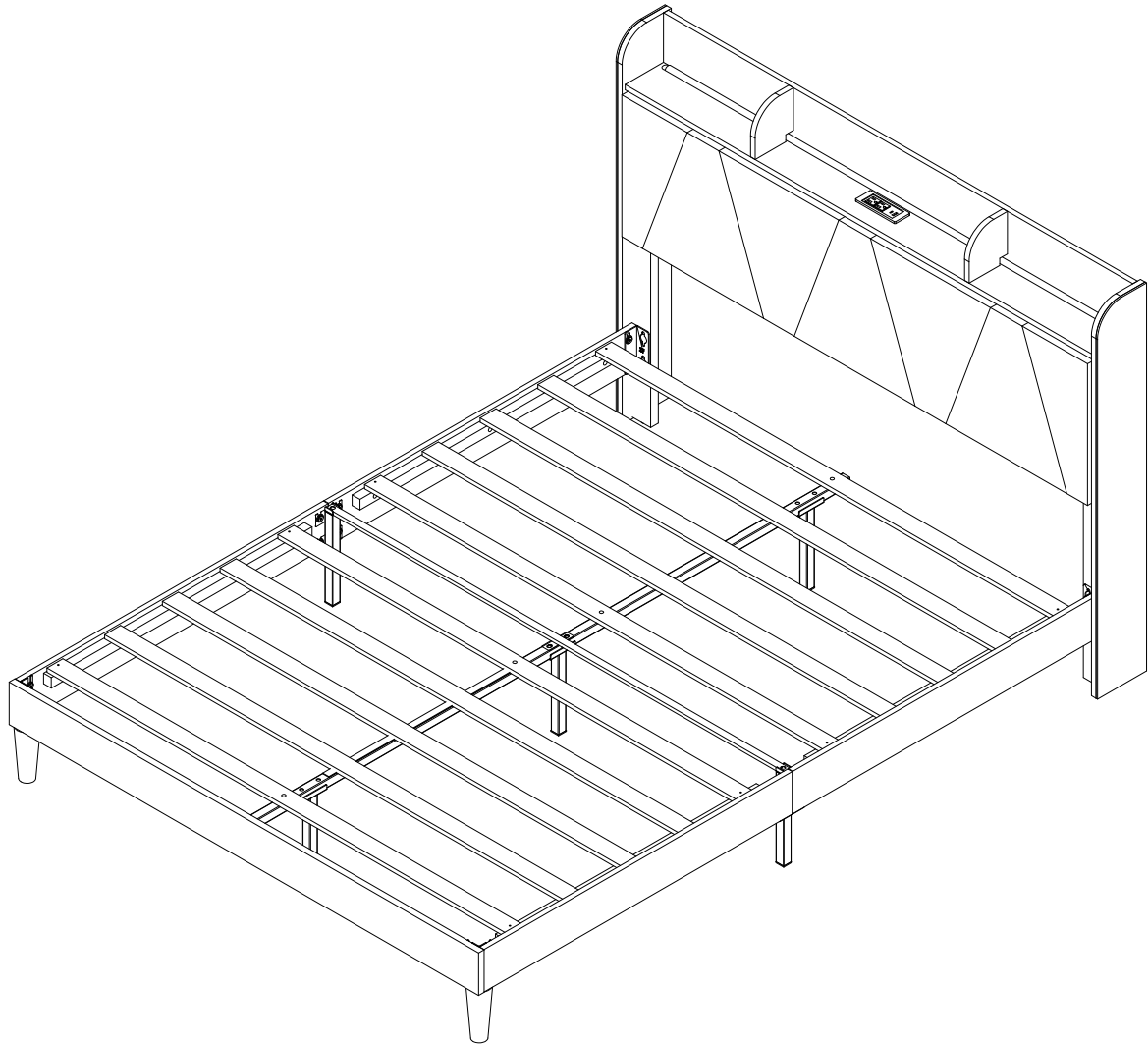


ASSEMBLY INSTRUCTIONS

DEAR CUSTOMER,

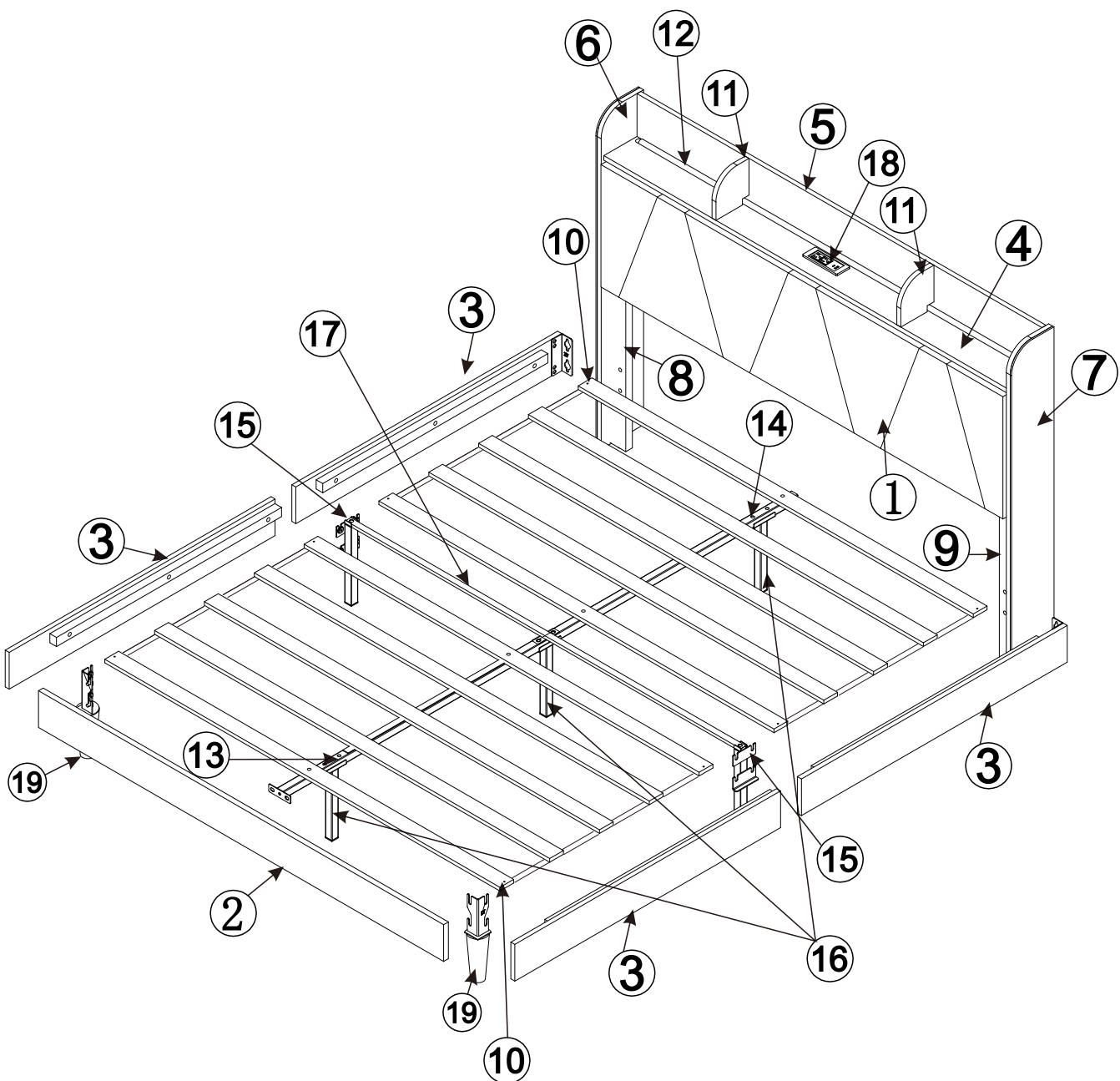
Caution:

1. Please read all instructions before assembly and check the carton for any parts that may have come loose during shipment. It is recommended to use two or more persons during the assembly process.
2. Please do not discard any packaging before you have checked all the parts and fittings are included. If for any reason this product needs to be returned it must be returned packed in its original packaging.
3. Assemble this product on a flat and clean surface to avoid scratching.



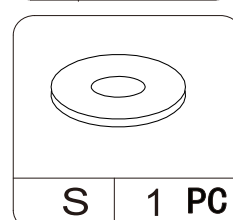
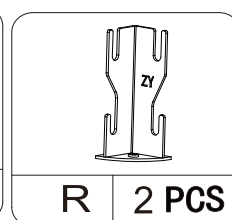
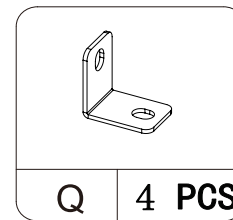
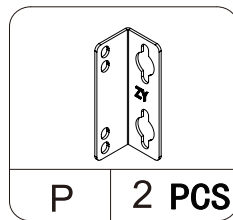
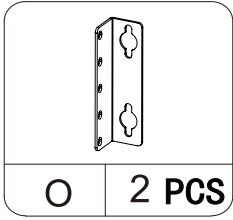
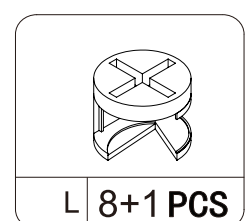
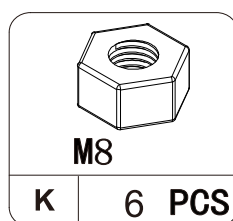
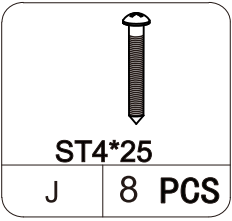
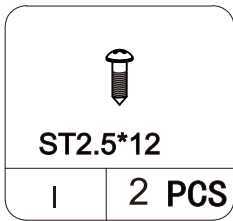
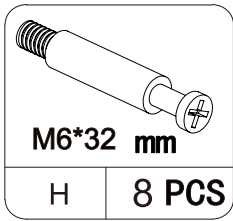
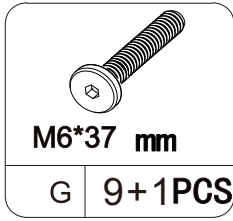
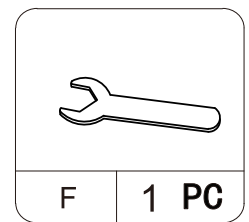
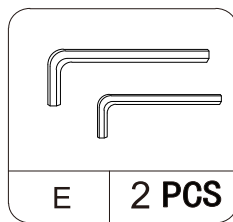
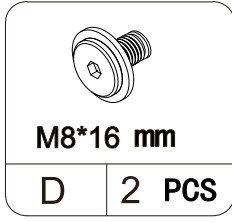
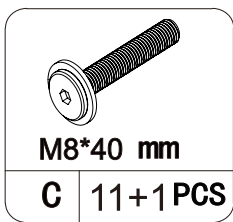
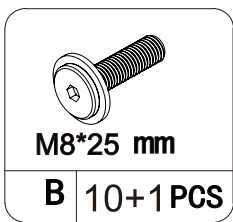
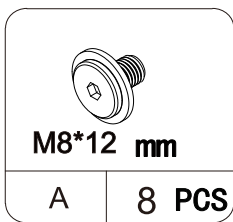
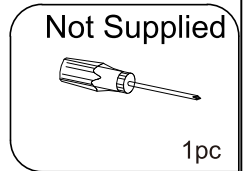
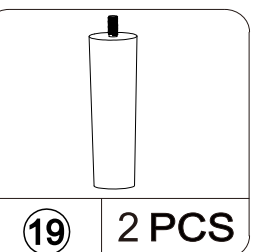
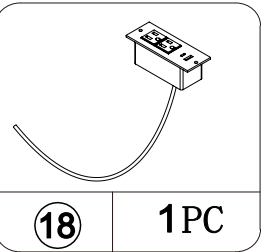
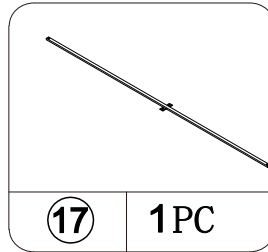
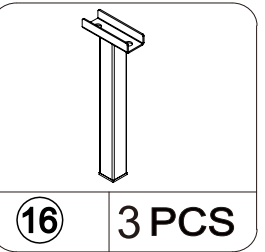
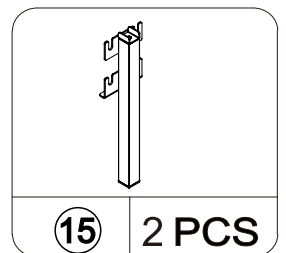
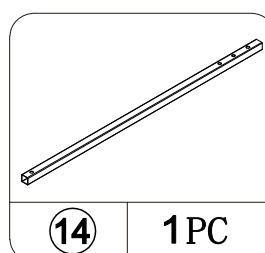
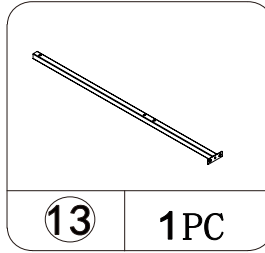
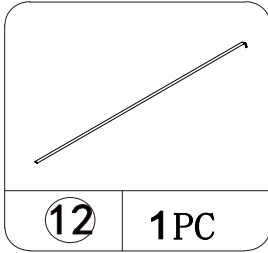
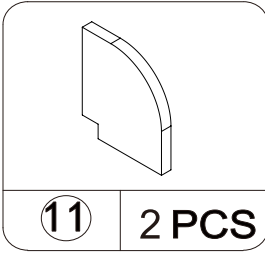
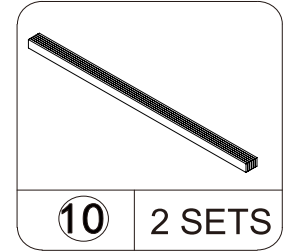
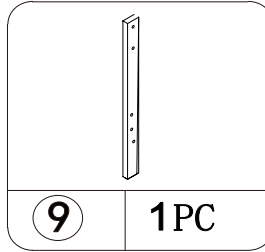
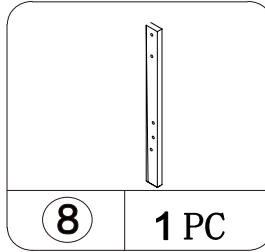
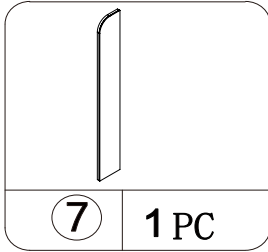
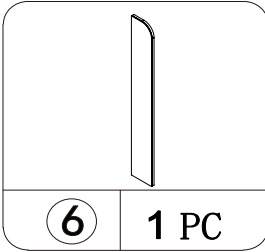
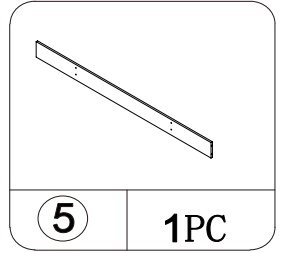
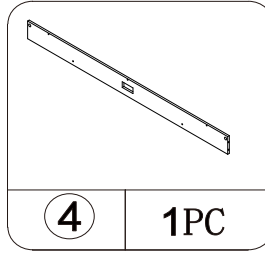
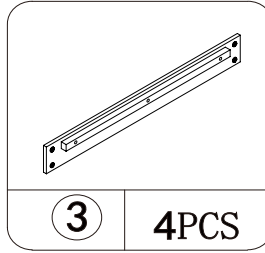
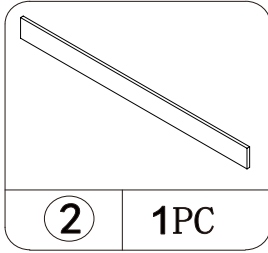
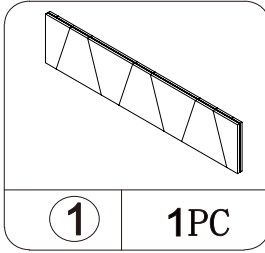
GENERAL ASSEMBLY GUIDELINES

- I. Ensure that all parts and hardware are available before beginning assembly.
- II. Follow each step carefully to ensure the proper assembly of the product.
- III. Two people are recommended for ease in the assembly of this product.

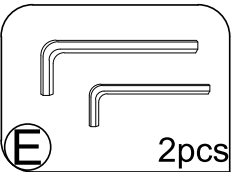
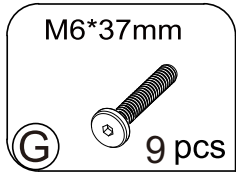
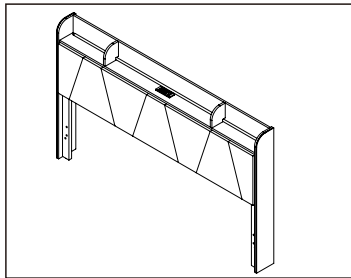
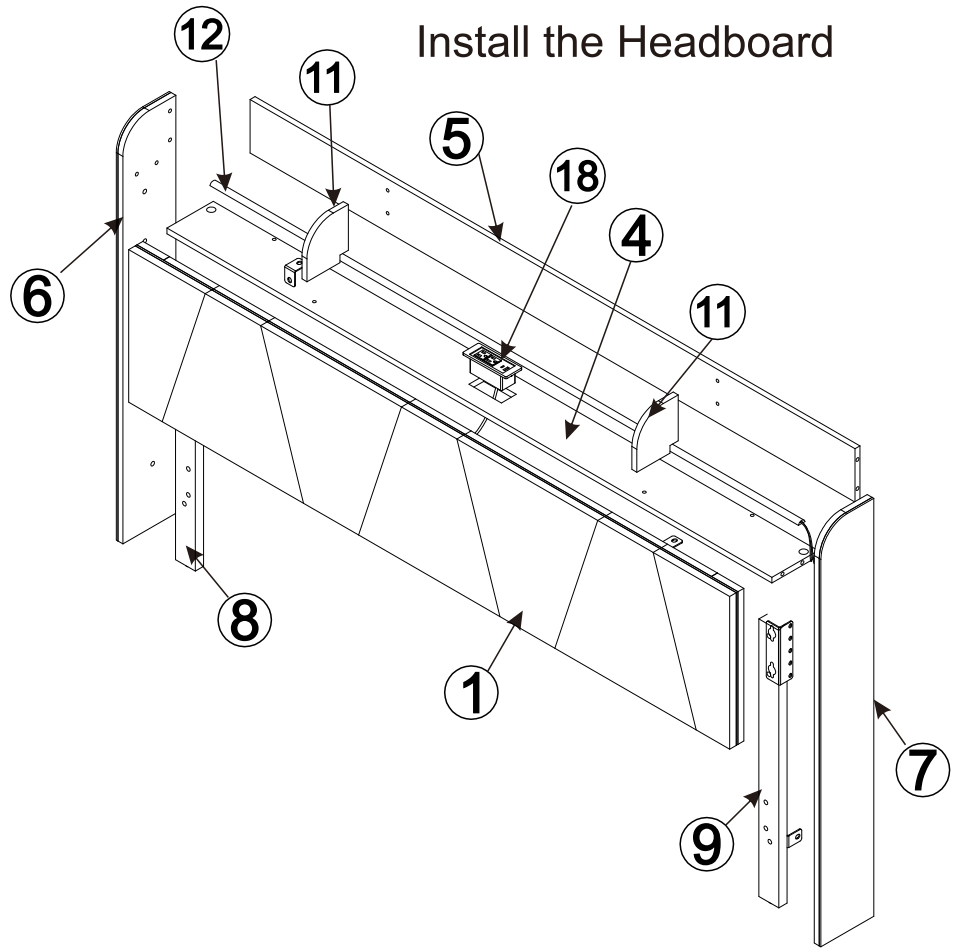


Hardware List

 Pls make sure all the accessories are complete!

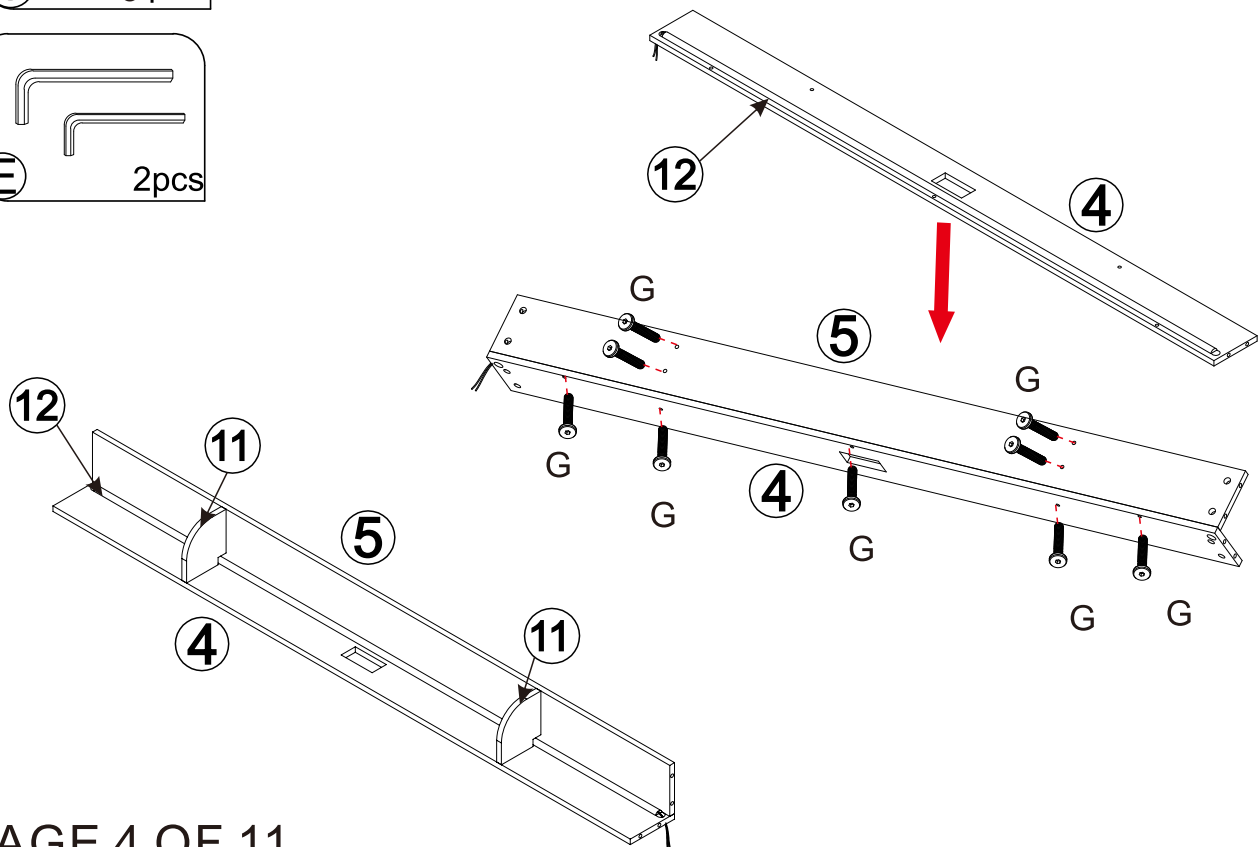


Install the Headboard

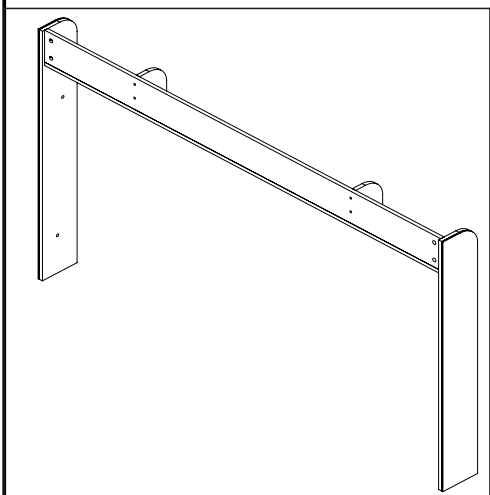
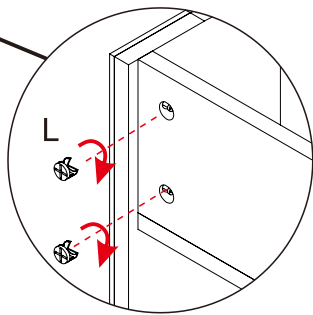
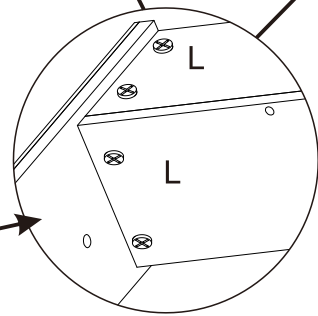
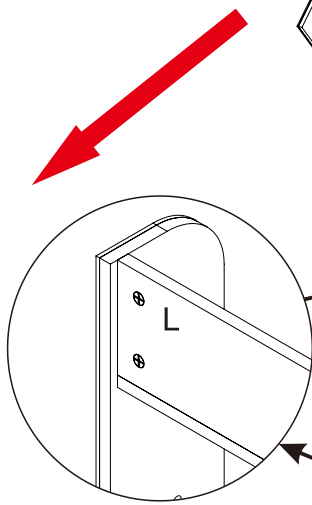
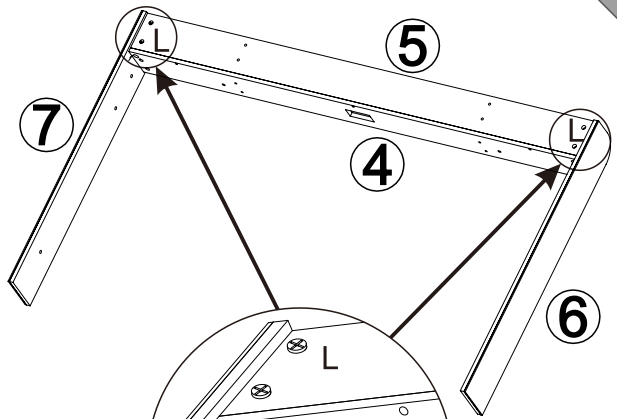
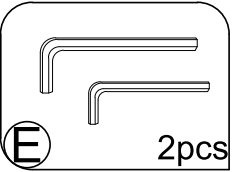
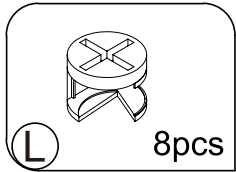
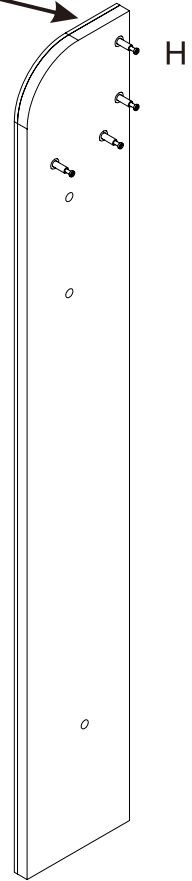
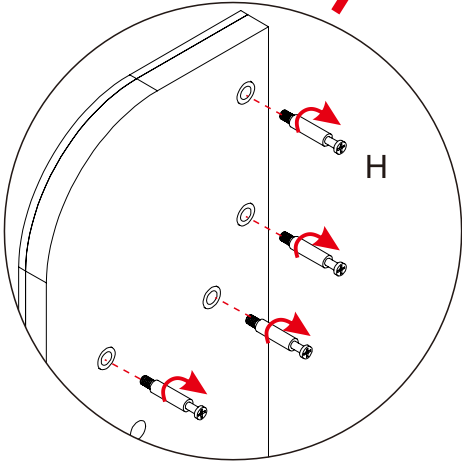
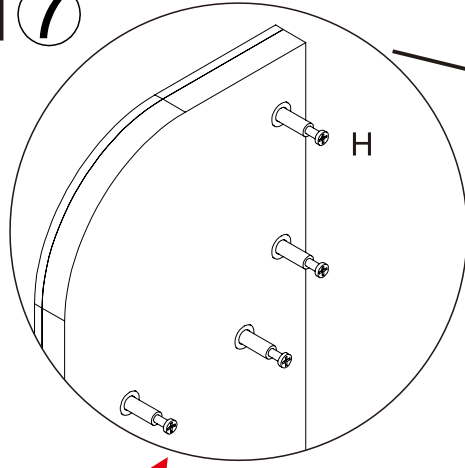
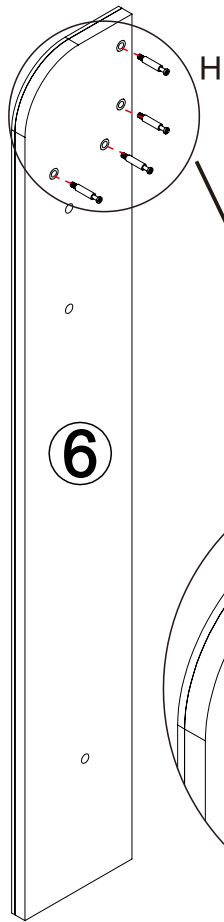
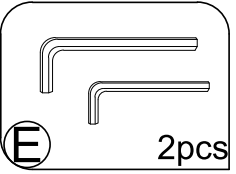
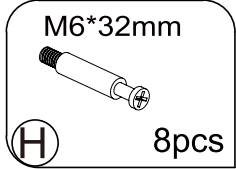


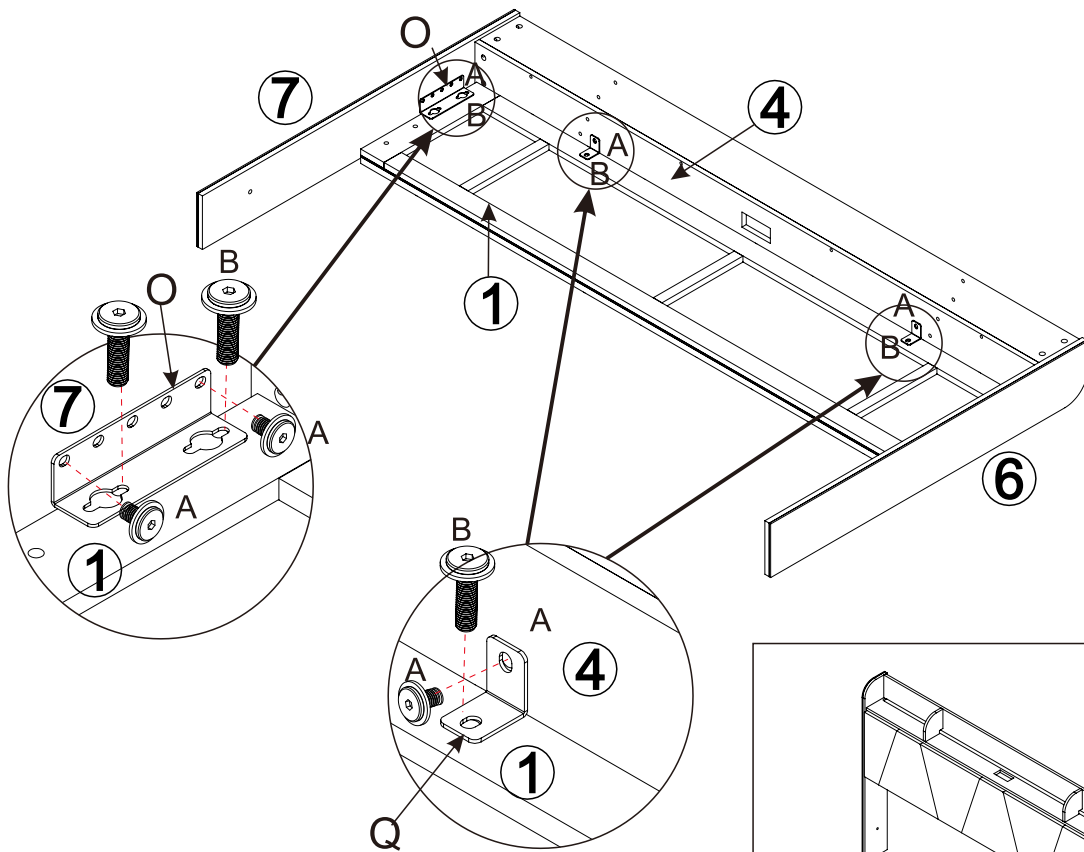
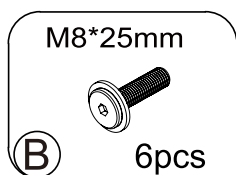
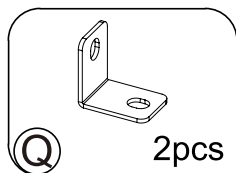
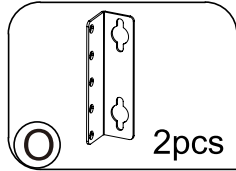
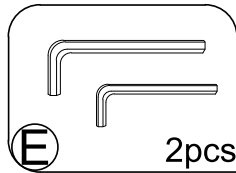
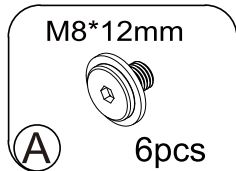
Tear off the adhesive tape behind the LED light
LED light pasted on the board **4**

1

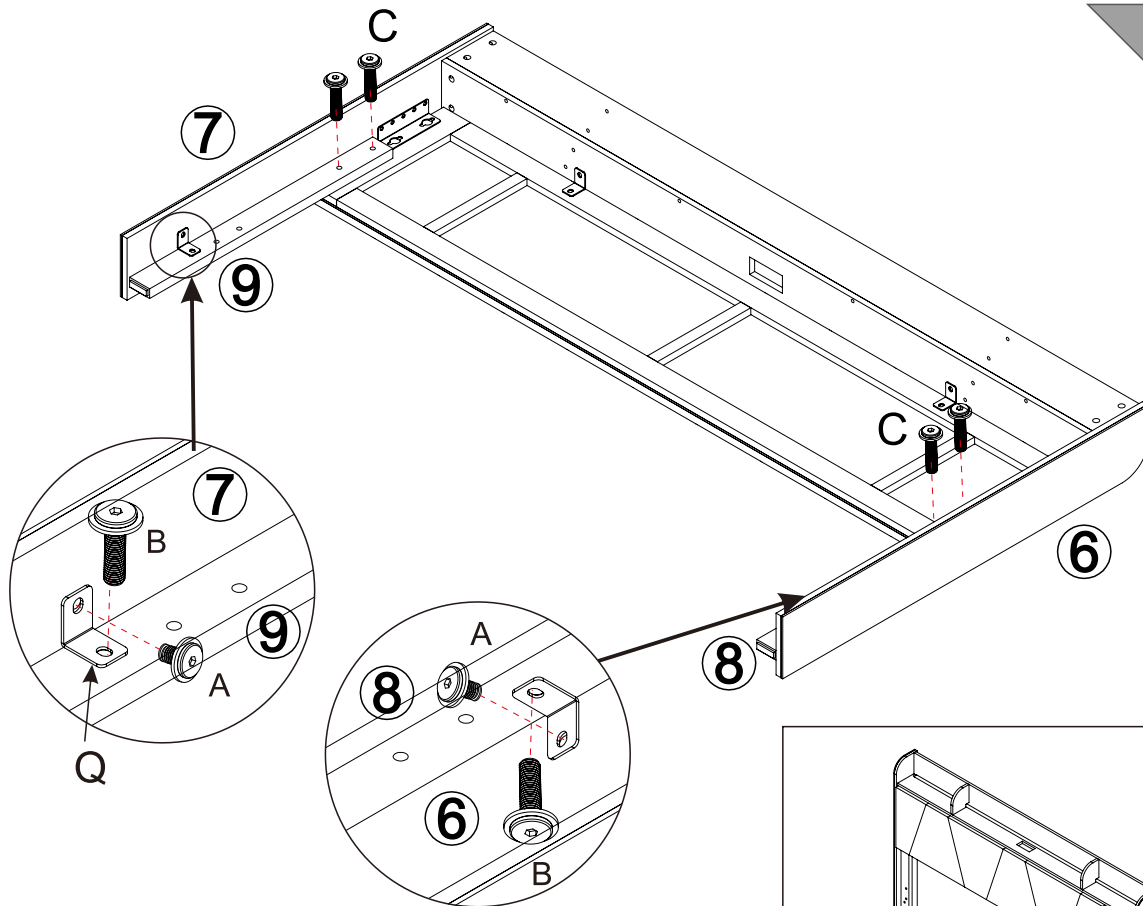
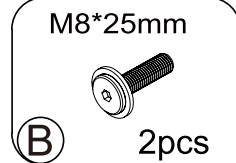
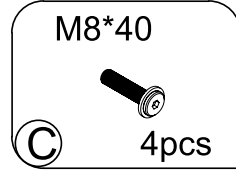
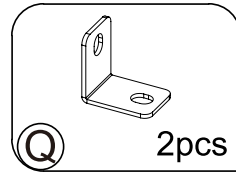
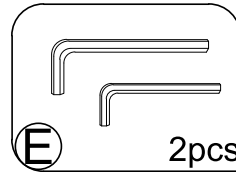
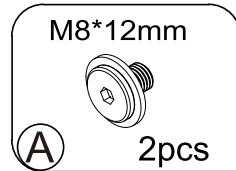
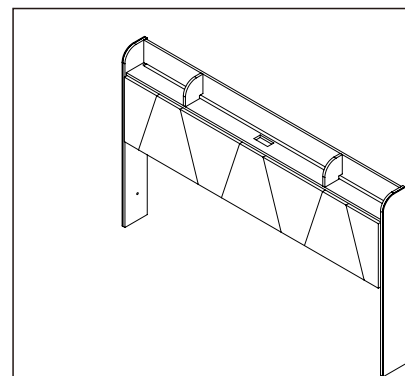


6 And 7

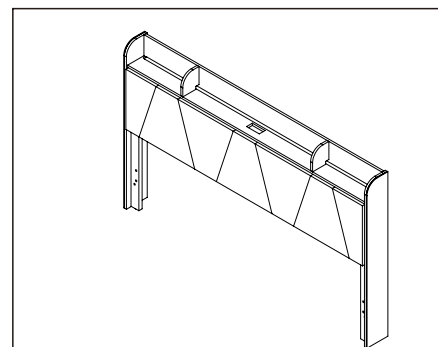


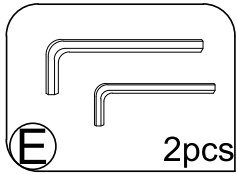
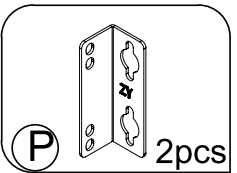
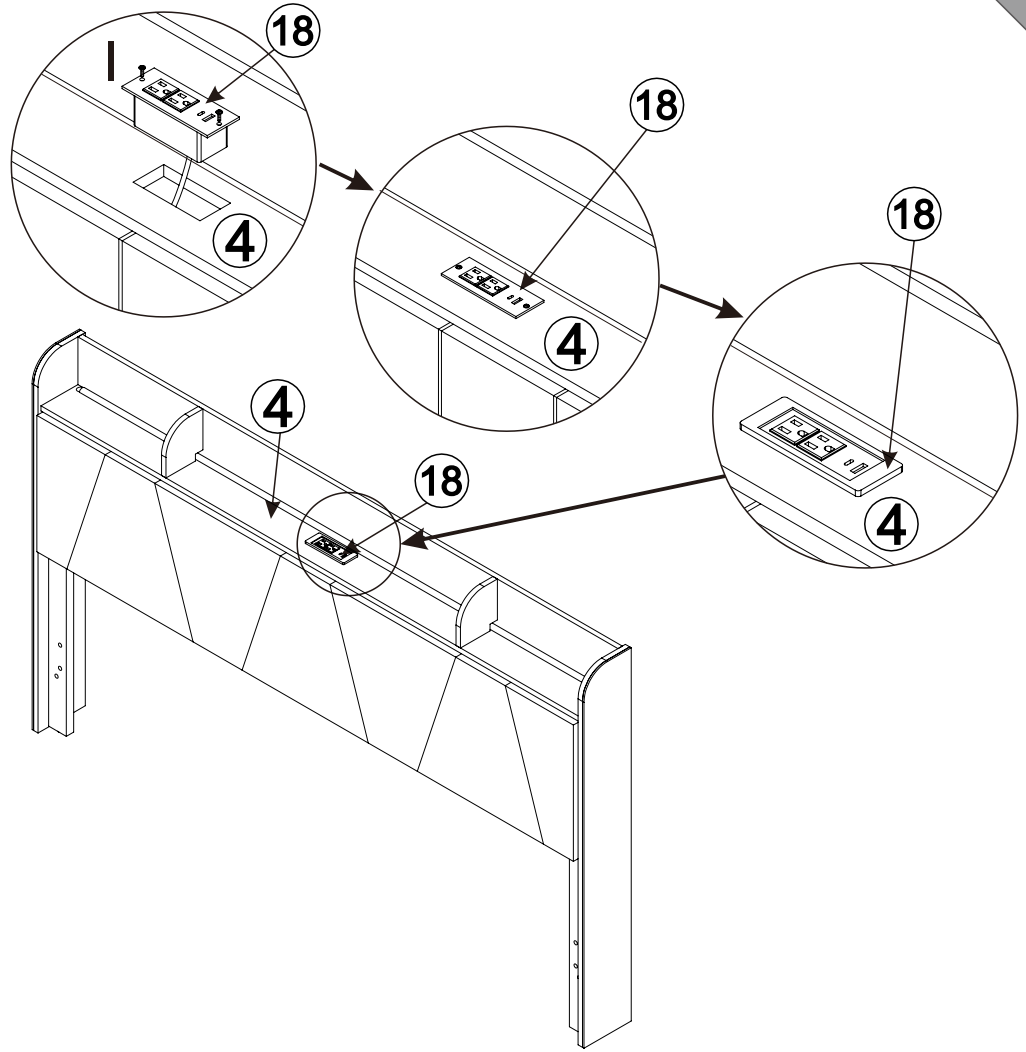
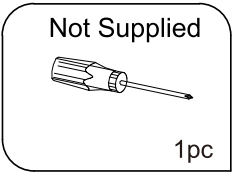
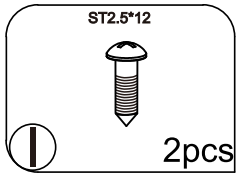


NOTE: Bolt B is used for connecting part **(1)** .

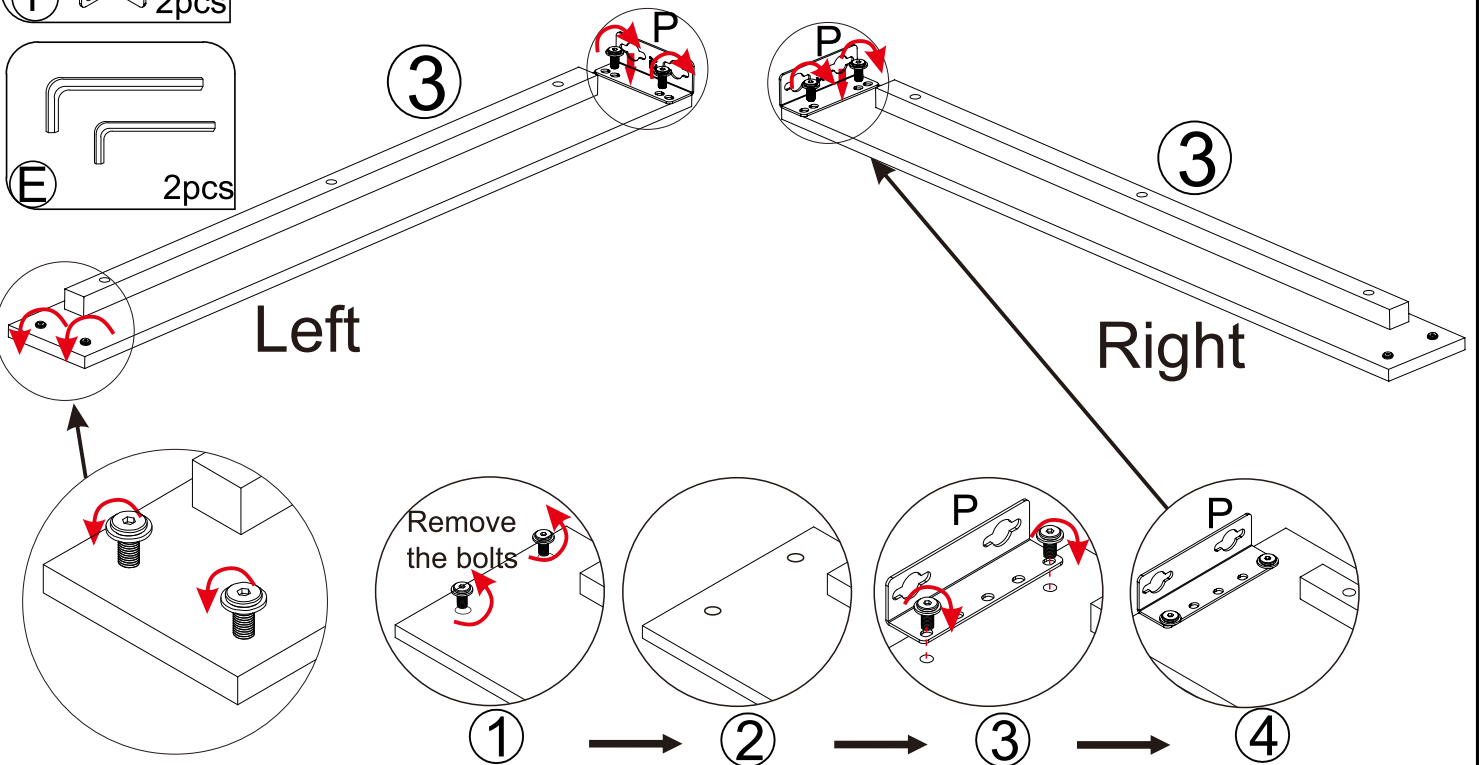


NOTE: Bolt B is used for connecting part **(8)** and **(9)** .

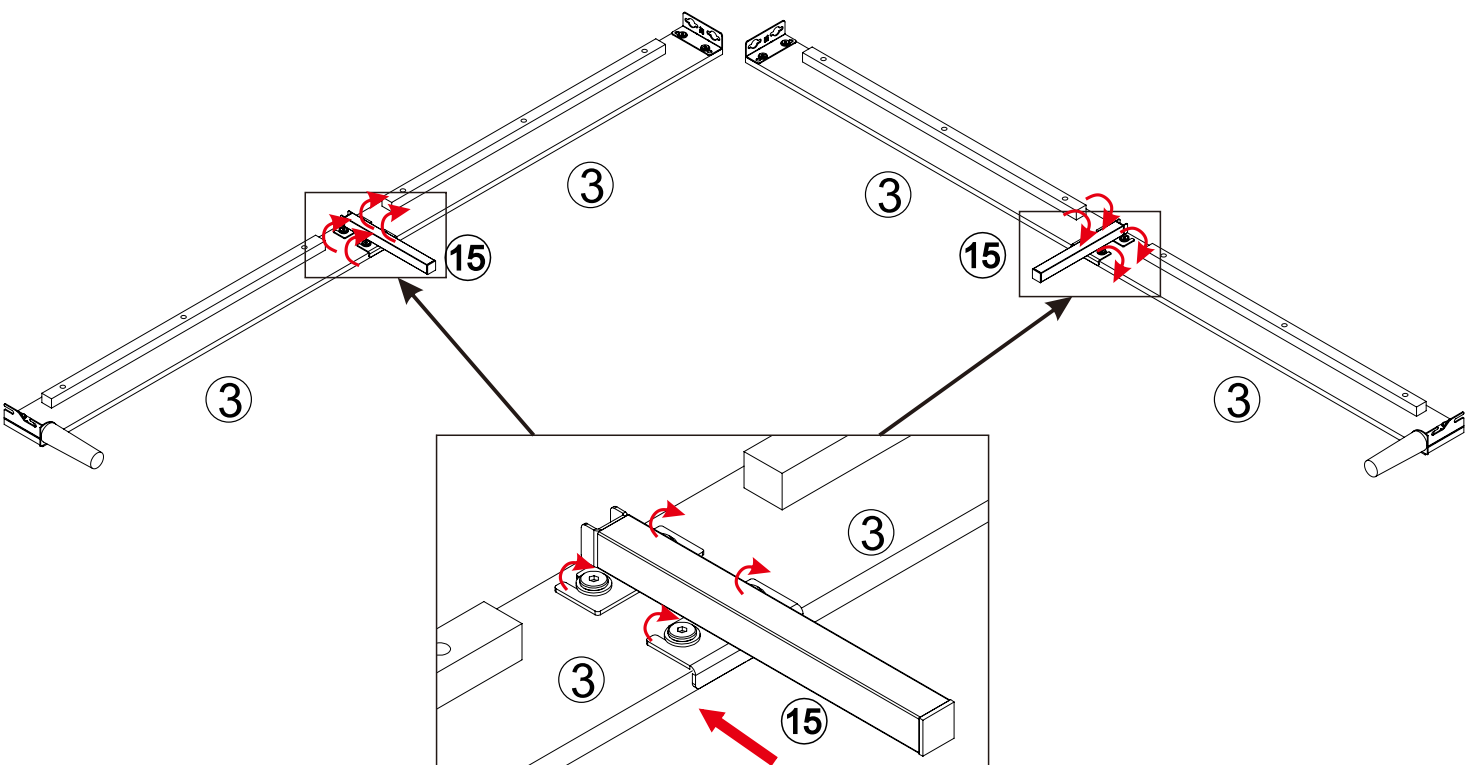
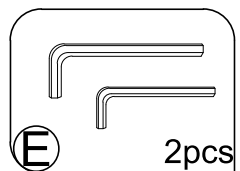
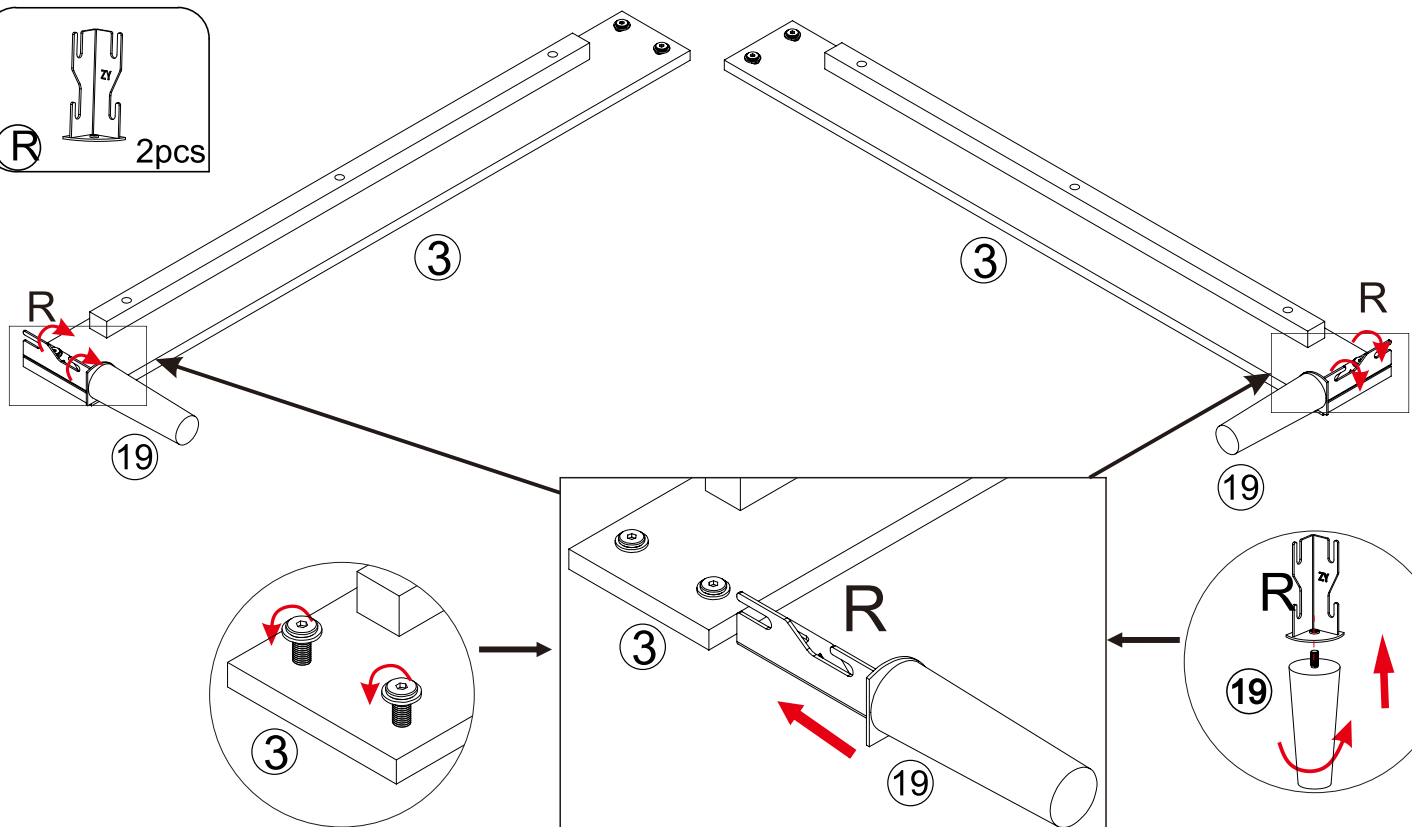
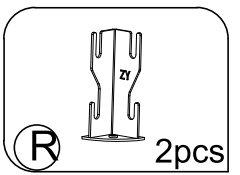
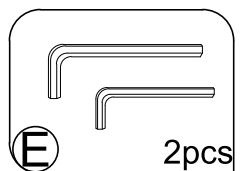




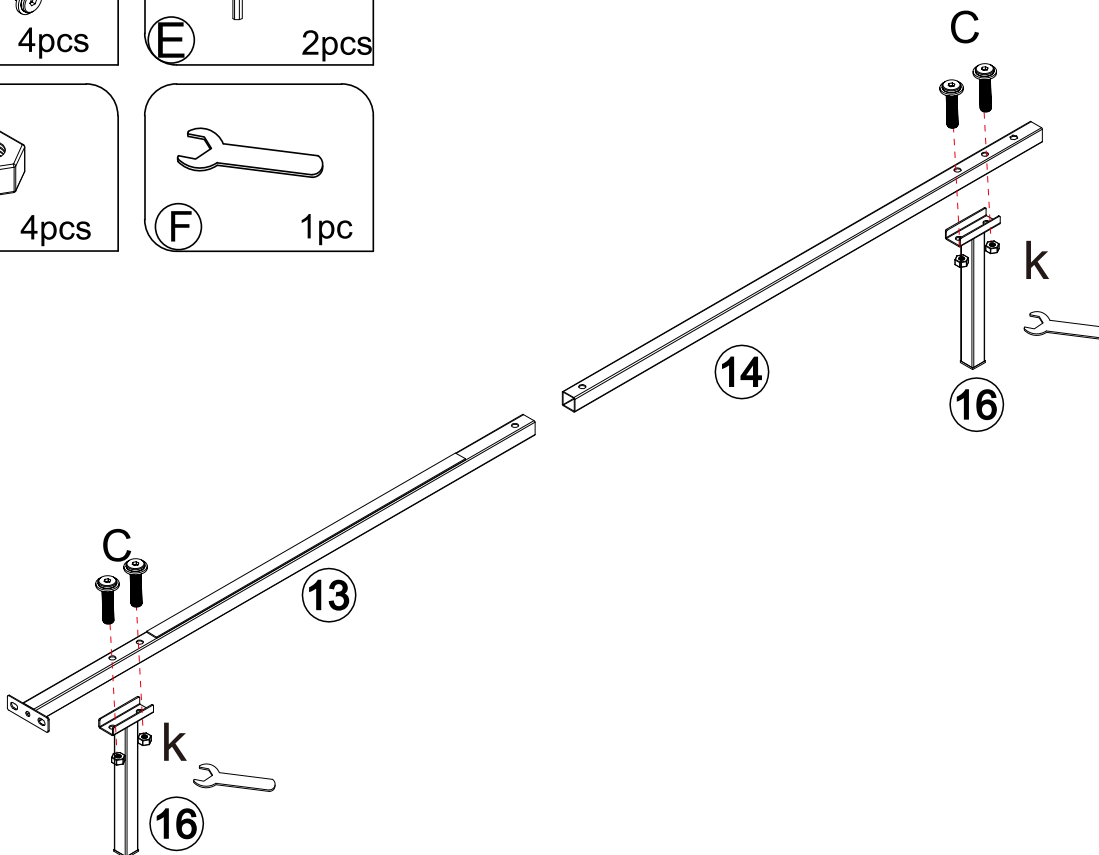
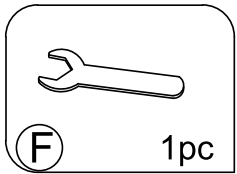
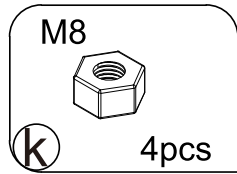
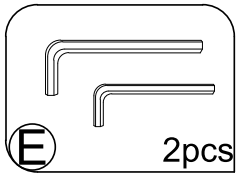
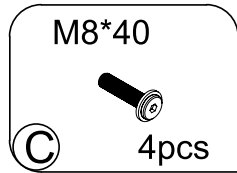
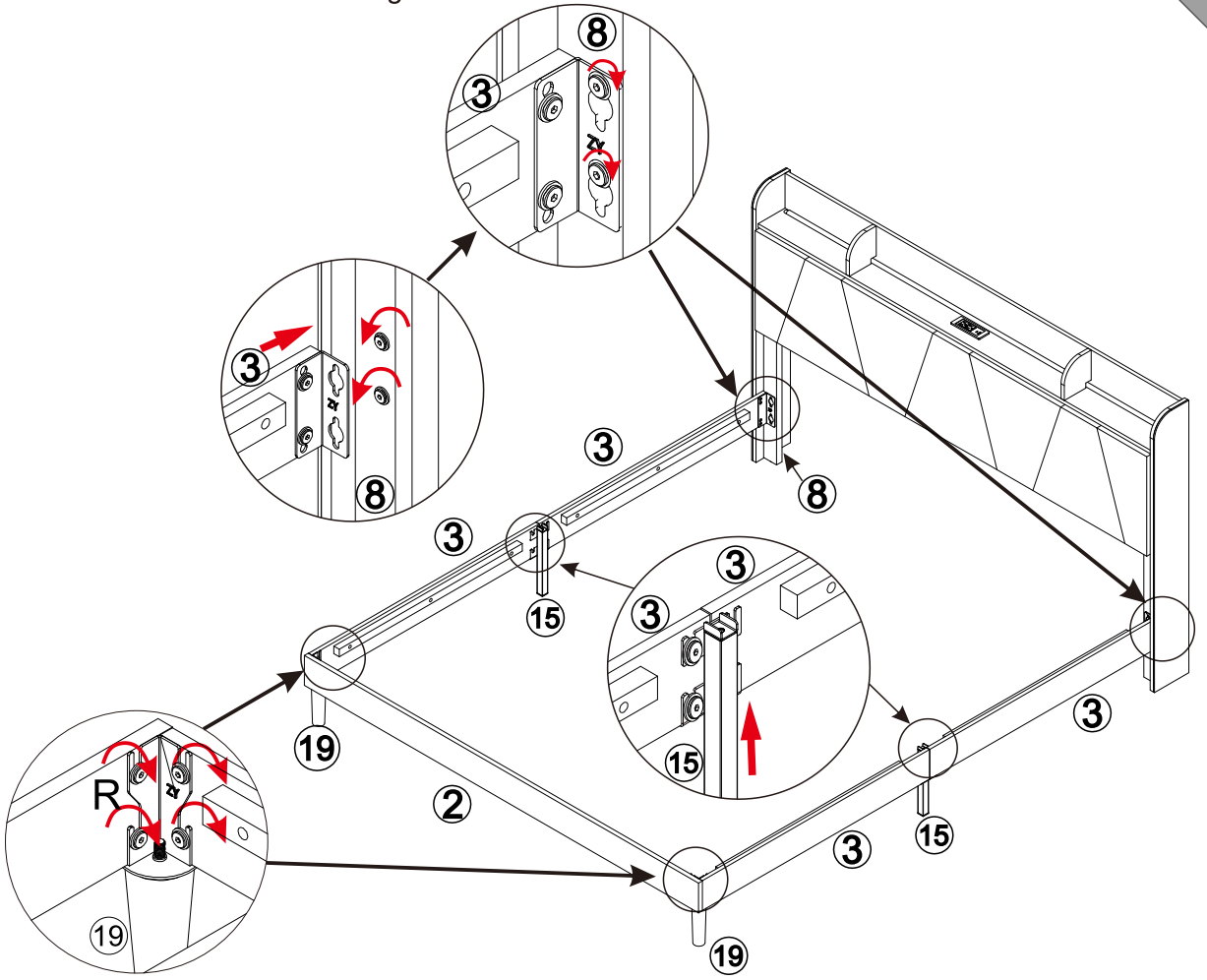
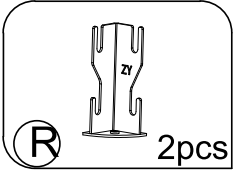
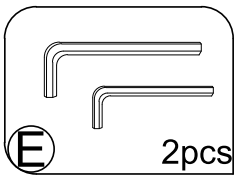
Untighten the bolts
Tighten the L-brackets on



Untighten the Siderail bolts



Untighten the bolts
Hang the L-brackets on



Note: Part 16 support only.
Don't tighten any bolts.

