

Assembly Instructions

ASSEMBLY INSTRUCTIONS **6 DRAWER CHEST**

IMPORTANT : READ THESE INSTRUCTIONS CAREFULLY BEFORE ATTEMPTING TO ASSEMBLE OR USE YOUR HOUSTON 6 DRAWER CHEST.

PLEASE KEEP THESE INSTRUCTIONS FOR FUTURE REFERENCE.

ASSEMBLY:

Assembly should be carried out with this item laying flat, not standing upright.

Assemble on a soft, clean surface to prevent damages.

To erase the numbers printed on the pieces, use the rubber inside the accessories pack.

HEALTH & SAFETY:

DO NOT use this product if any parts are missing, damaged or worn.

DO NOT use this product unless all fixings are secured.

Always use on a level, even surface.

If anti tip straps are provided, please use them.

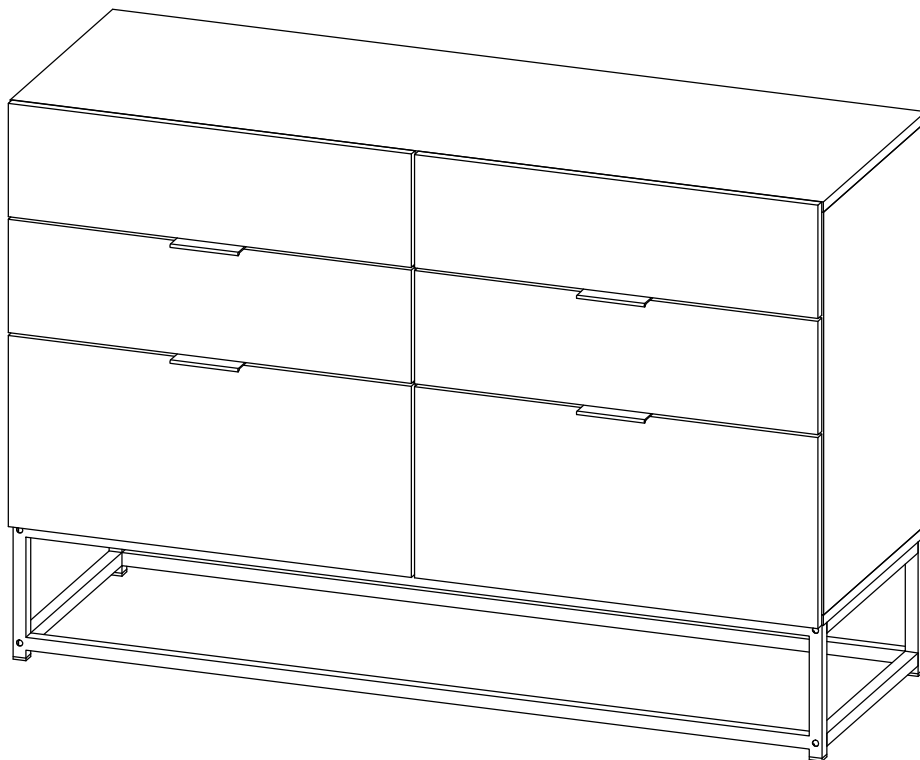
CARE & MAINTENANCE:

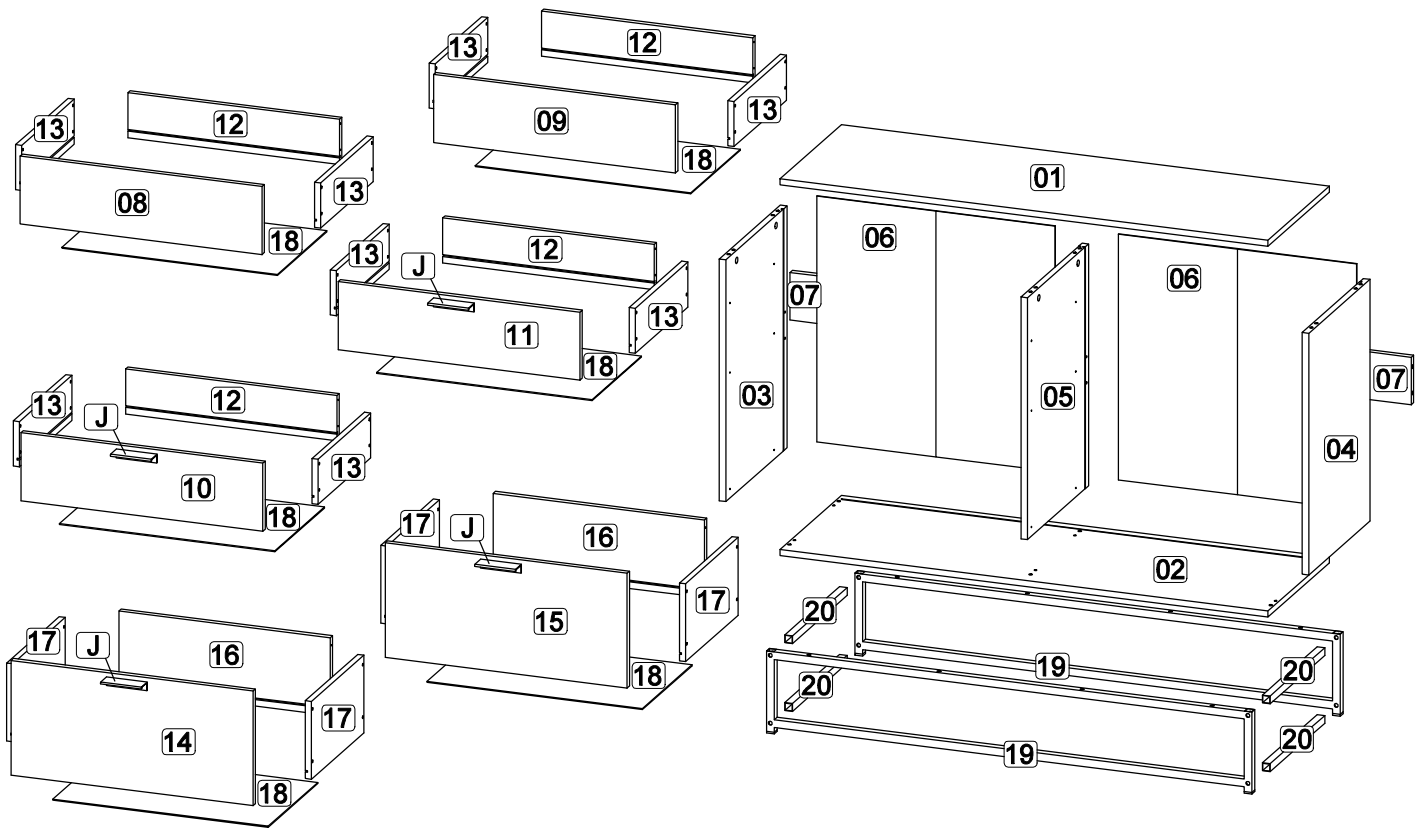
Periodically check all screws & fixings to ensure they are secure.





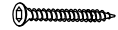

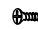










DO NOT push this product as this will cause damage.

Always lift this product with two people to repositions.

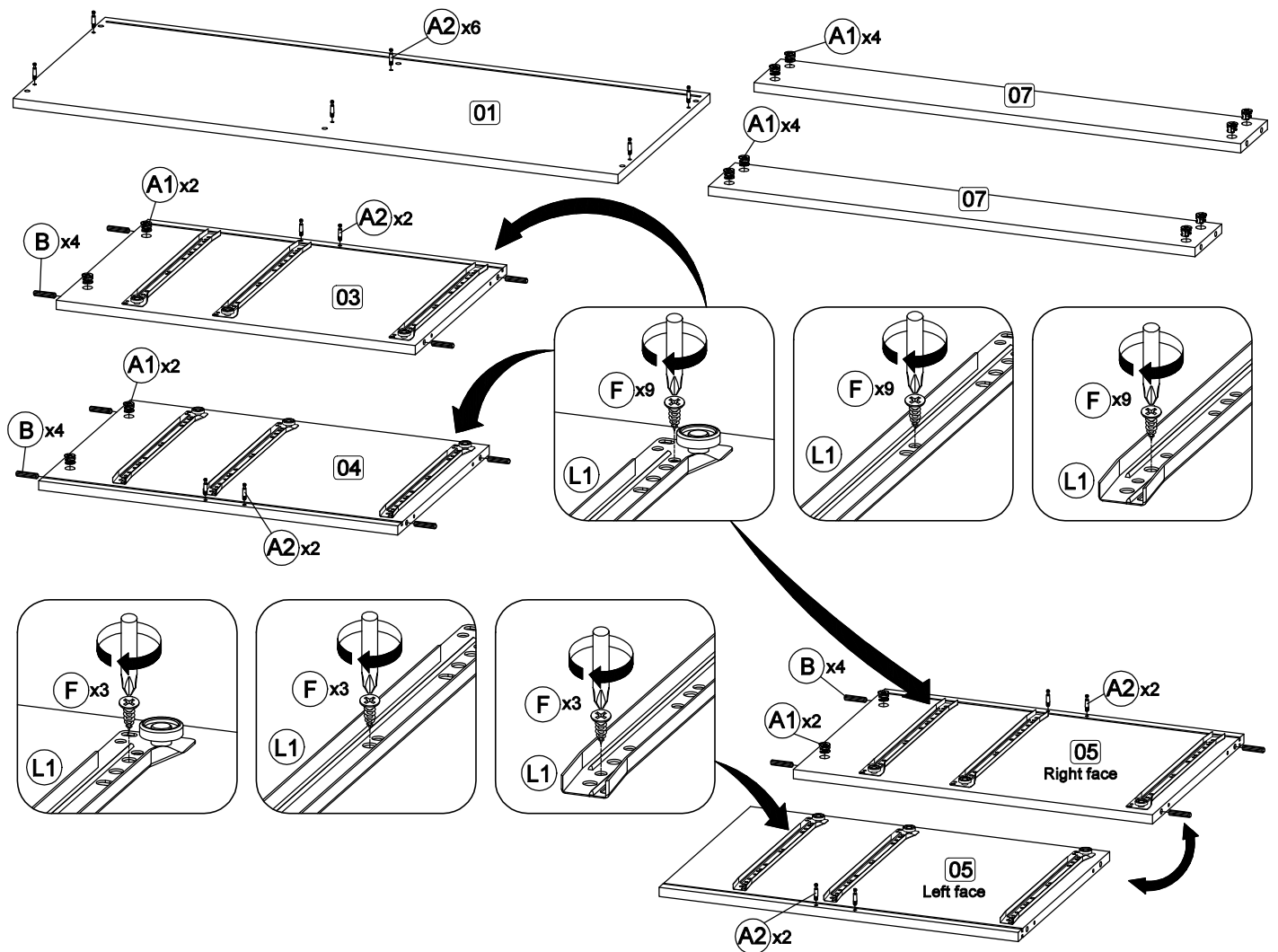
Keep any sharp objects away from this product.



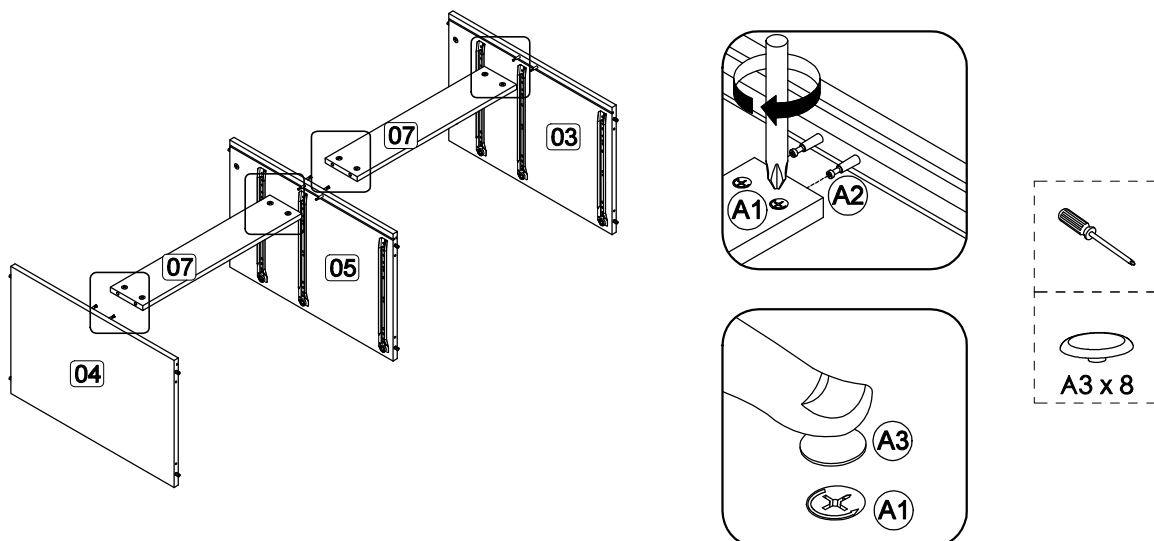


Parts List				Hardware List (BOX 2)			
Part	Description	Box	Qty	Part	Description		Qty
01	Top panel	1	1	A1	Cam lock		14
02	Bottom panel	1	1	A2	Minifix screw		14
03	Side panel (Left)	1	1	A3	Plastic cap		14
04	Side panel (Right)	1	1	B	M8 x 30mm Wood Dowel		12
05	Center panel	1	1	C	M6 x 50mm CSK Cap Wood screw		6
06	Back panel	1	2	D	Allen key M4		1
07	Back bone (L/R)	1	2	E	M3 x 12mm C.B Screw		8
08	Drawer front (Up Left)	2	1	F	M3.5 x 16mm C.B Screw		74
09	Drawer front (Up Right)	2	1	G	M4 x 38mm C.B Screw		48
10	Drawer front (Middle Left)	2	1	H	JCBC screw M6 x 30mm		8
11	Drawer front (Middle Right)	2	1	I	JCBC screw M6 x 40mm		8
12	Drawer back (Up)	2	4	J	4020 L Bar 100mm		4
13	Drawer side (Up)	2	8	K1	Stud 192		8
14	Drawer front (Down Left)	2	1	K2	Stud 192 screw		8
15	Drawer front (Down Right)	2	1	L1	14" Drawer slide (Left / Right)		12
16	Drawer back (Down)	2	2	L2	14" Drawer slide (Left / Right)		12
17	Drawer side (Down)	2	4	M	8" x 1" PP tape		2
18	Drawer bottom	2	6	** You will need a small mallet and a screwdriver for assembly. ** Some screws and wooden dowel may remain. ** Note : To secure the item to the wall we recommend you use wall plugs and screw. These are not provided in the fixing kit.			
19	Metal frame	1	2				
20	Metal bone	1	4				

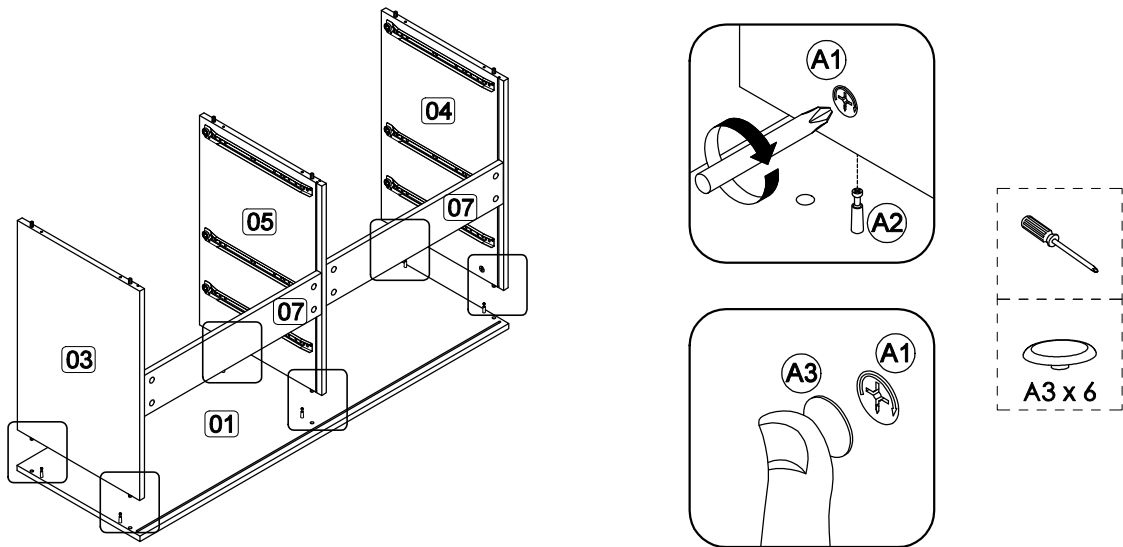
Step 1: Prepare these parts for assembly using hardware parts A1, A2, B, D, F and L1.
DO NOT use any power tools as this may damage the frame and will invalidate any claim.



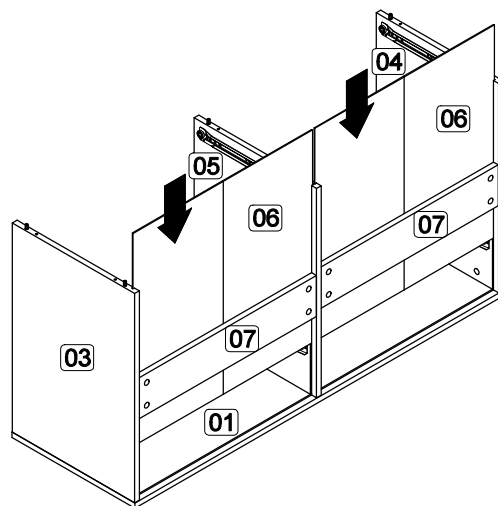
Step 2: Attach back bone (7) to side panel (3) and center panel (5) using hardware A1 and A2 with a screwdriver (not provided).
Attach back bone (7) to side panel (4) and center panel (5) using hardware A1 and A2 with a screwdriver (not provided).
DO NOT use any power tools as this may damage the frame and will invalidate any claim.



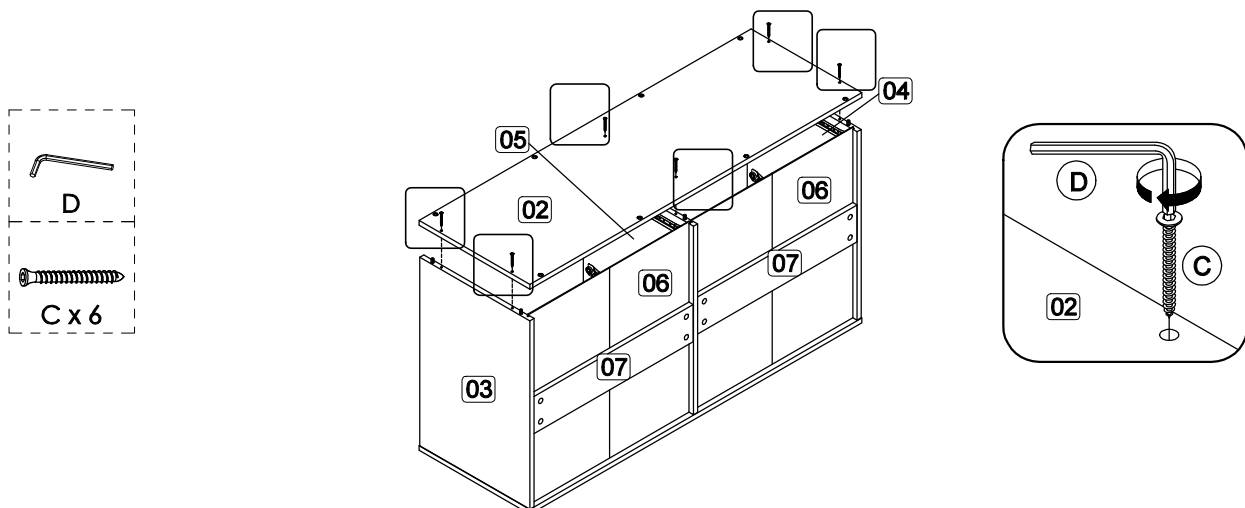
**Step 3: Attach side panel (3), (4) and center panel (5) to top panel (1) using hardware A1 and A2 with a screwdriver (not provided).
DO NOT use any power tools as this may damage the frame and will invalidate any claim.**



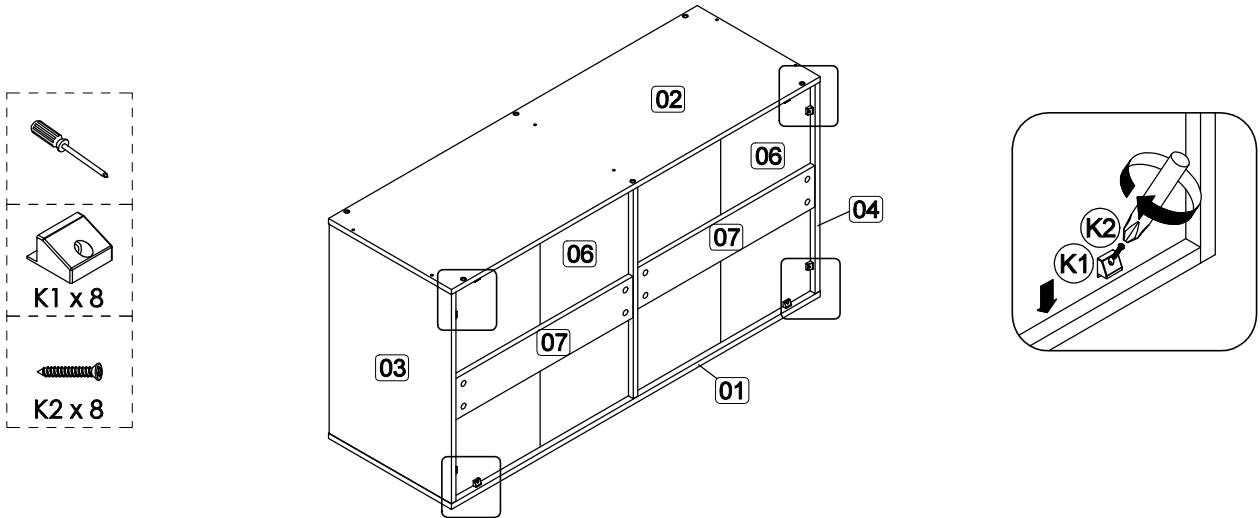
**Step 4: Insert back panel (6) along the slot.
DO NOT use any power tools as this may damage the frame and will invalidate any claim.**



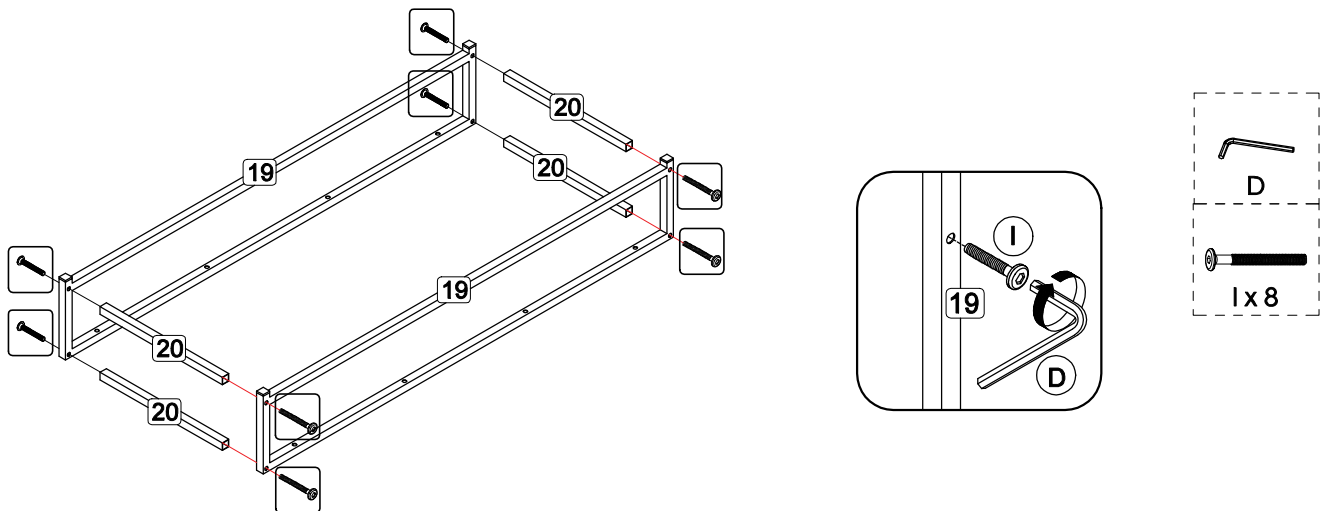
**Step 5: Attach bottom panel (2) to side panel (3), (4) and center panel (5) using hardware C and D.
DO NOT use any power tools as this may damage the frame and will invalidate any claim.**



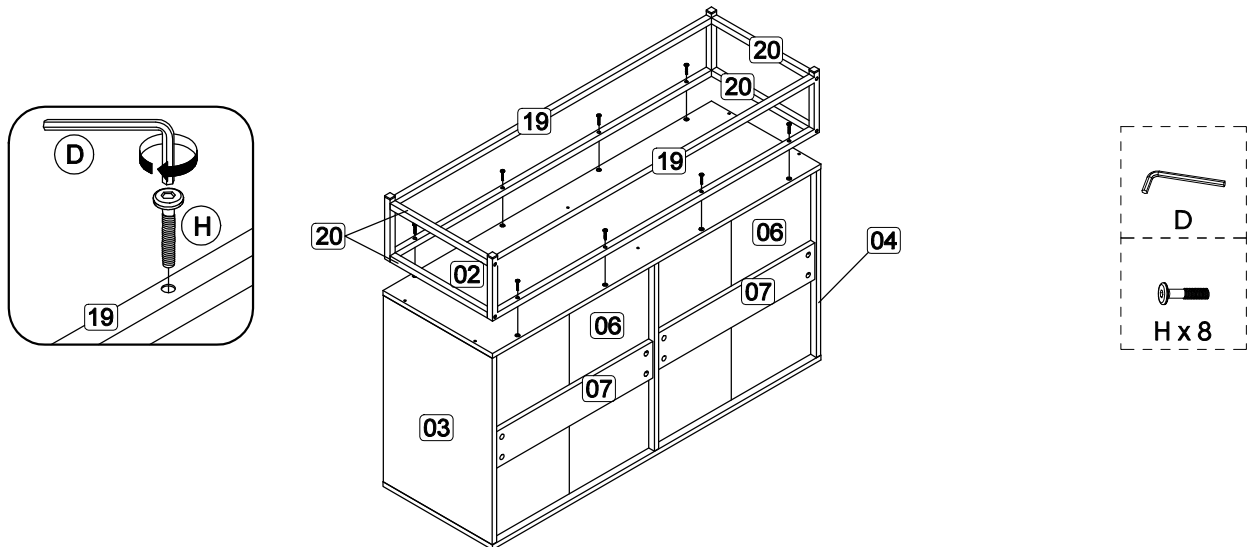
Step 6: Attach hardware K1 into top panel (1), bottom panel (2), side panel (3) and (4) using hardware K2 with a screwdriver (not provided).
DO NOT use any power tools as this may damage the frame and will invalidate any claim.



Step 7: Attach metal frame (19) to metal bone (20) using hardware D and I.
DO NOT use any power tools as this may damage the frame and will invalidate any claim.



Step 8: Attach metal frame (19) to bottom panel (2) using hardware D and H.
DO NOT use any power tools as this may damage the frame and will invalidate any claim.



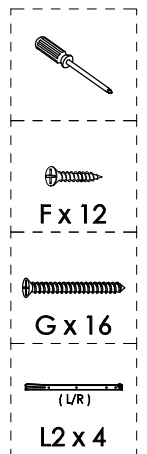
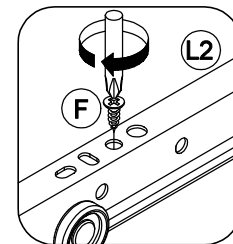
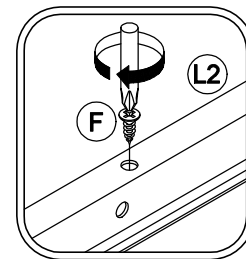
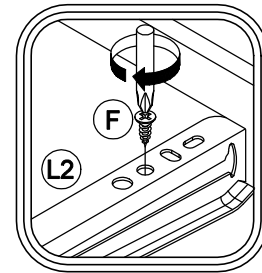
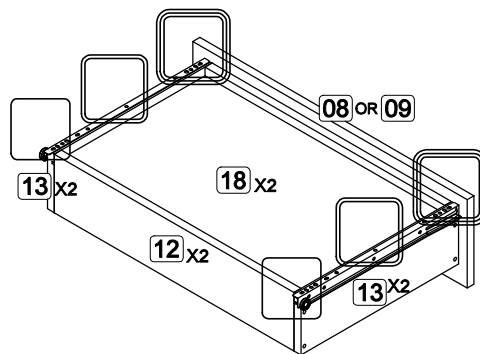
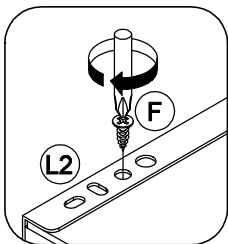
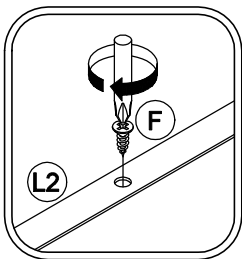
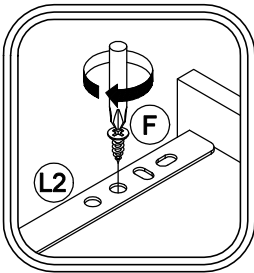
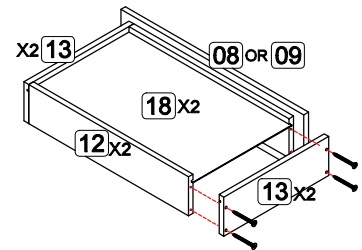
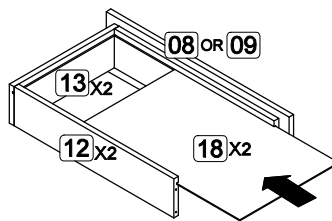
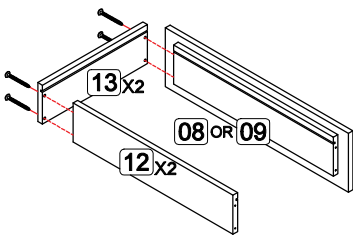
Step 9: Assemble the drawer components using hardware F, G and L2.

In this step only show one of the drawers.

DO NOT use any power tools as this may damage the frame and will invalidate any claim.

Smaller drawers

1. Attach drawer side (up) (13) to drawer back (up) (12) and drawer front (up) (8) or (9) using hardware part (G).
2. Slide in drawer bottom (18) then attach drawer side (up) (13) using hardware part (G).
3. Attach hardware part (L2) to drawer sides (up) (13) using hardware part (F).



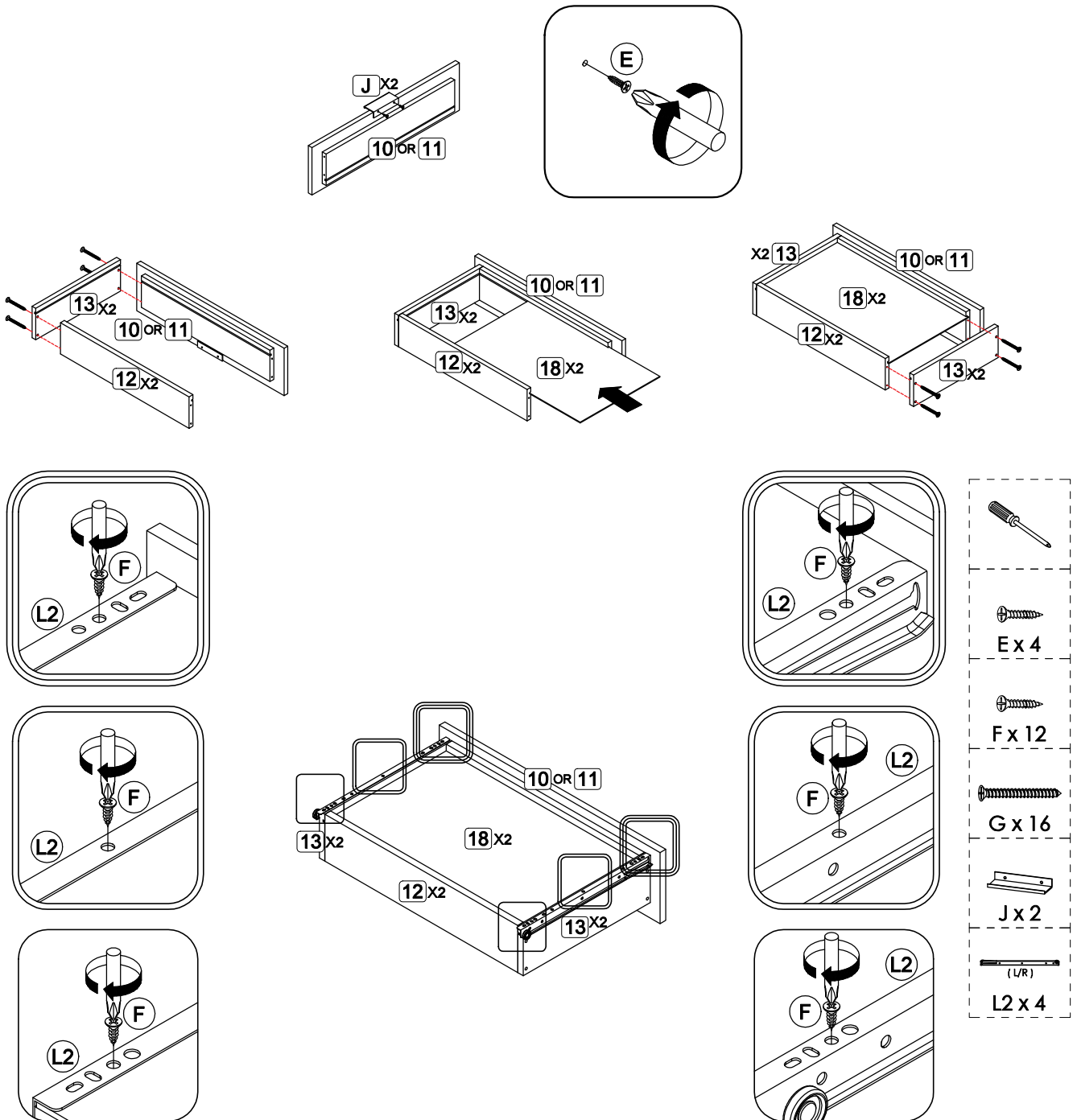
Step 10: Assemble the drawer components using hardware E, F, G, J and L2.

In this step only show one of the drawers.

DO NOT use any power tools as this may damage the frame and will invalidate any claim.

Smaller drawers

1. Insert Hardware part (J) to drawer front (middle) (10) or (11) using hardware part (E)
2. Attach drawer side (up) (13) to drawer back (up) (12) and drawer front (middle) (10) or (11) using hardware part (G).
3. Slide in drawer bottom (18) then attach drawer side (up) (13) using hardware part (G).
4. Attach hardware part (L2) to drawer sides (up) (13) using hardware part (F).



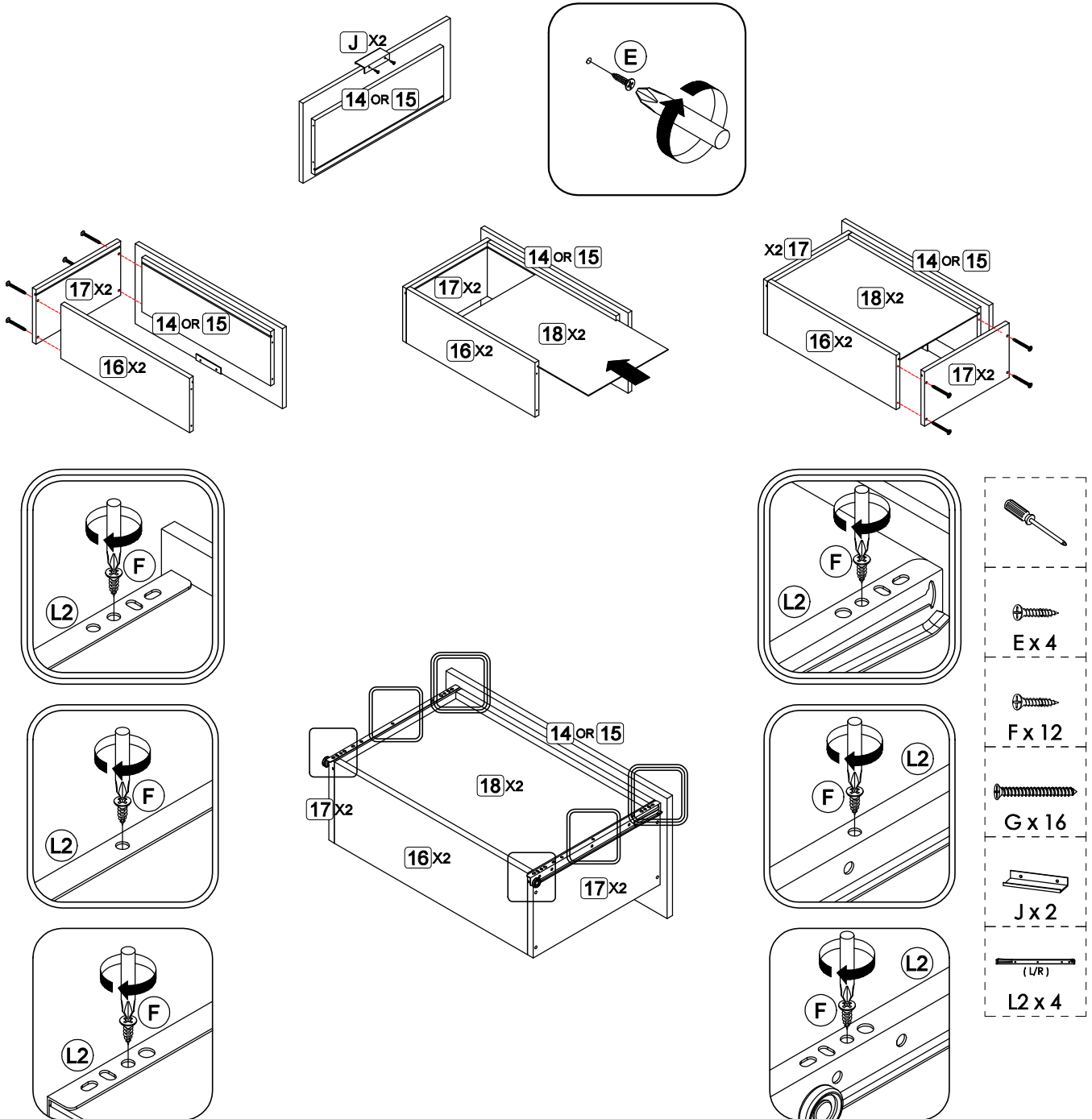
Step 11: Assemble the drawer components using hardware E, F, G, J and L2.

In this step only show one of the drawers.

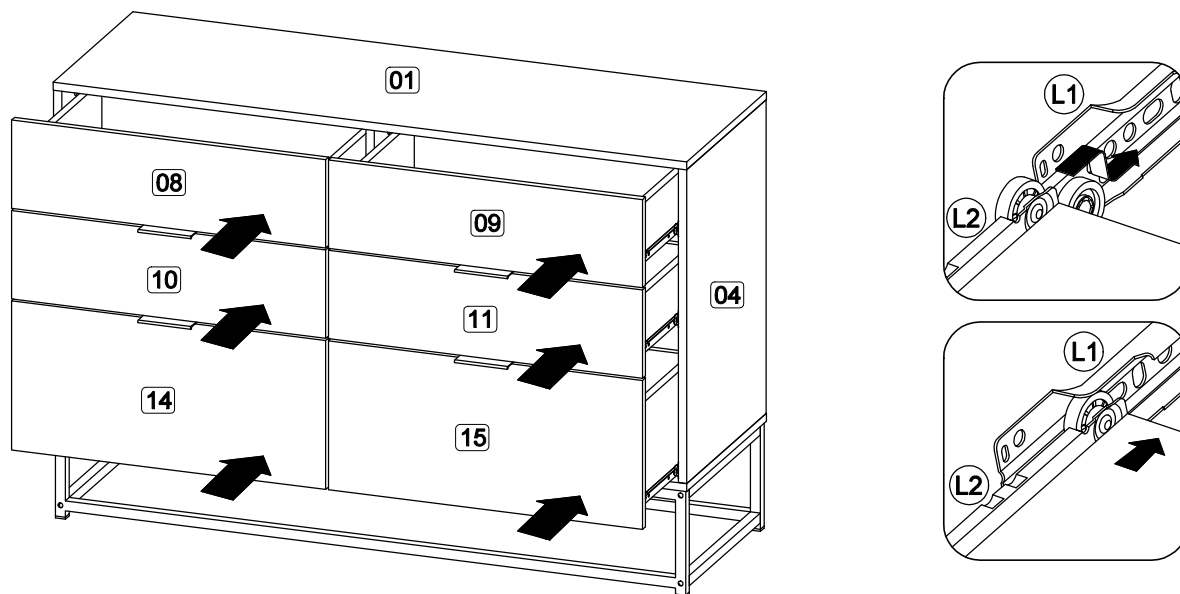
DO NOT use any power tools as this may damage the frame and will invalidate any claim.

Larger drawers

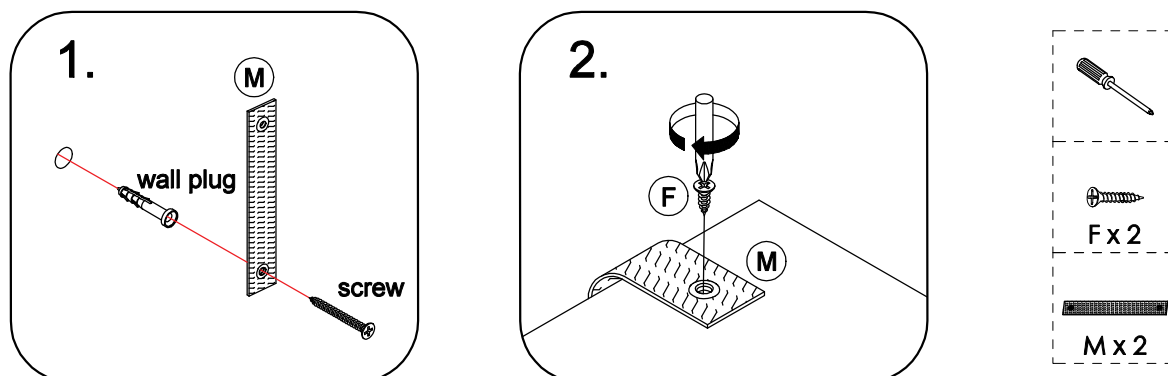
1. Insert Hardware part (J) to drawer front (down) (14) or (15) using hardware part (E)
2. Attach drawer side (down) (17) to drawer back (down) (16) and drawer front (down) (14) or (15) using hardware part (G).
3. Slide in drawer bottom (18) then attach drawer side (down) (17) using hardware part (G).
4. Attach hardware part (L2) to drawer sides (17) using hardware part (F).



Step 12: Assemble the drawers in place along the drawer slides.
DO NOT use any power tools as this may damage the frame and will invalidate any claim.



Step 13: To secure the item to the wall use hardware M, screw and wall plug using a screwdriver (not provided). Then attach hardware part M to the panel (1) using hardware F with a screwdriver (not provided).
DO NOT use any power tools as this may damage the frame and will invalidate any claim.



PLEASE NOTE that wall fixings are not supplied as different wall materials require different fixing devices. You must use fixings devices suitable for the type of wall you intend to mount product to. Ensure the head of any screw used has a diameter greater than the mounting hole and the fixing is safe and secure before use.

advise you use the hardware M (2 pcs). These are provided to further enhance the safety of this product.