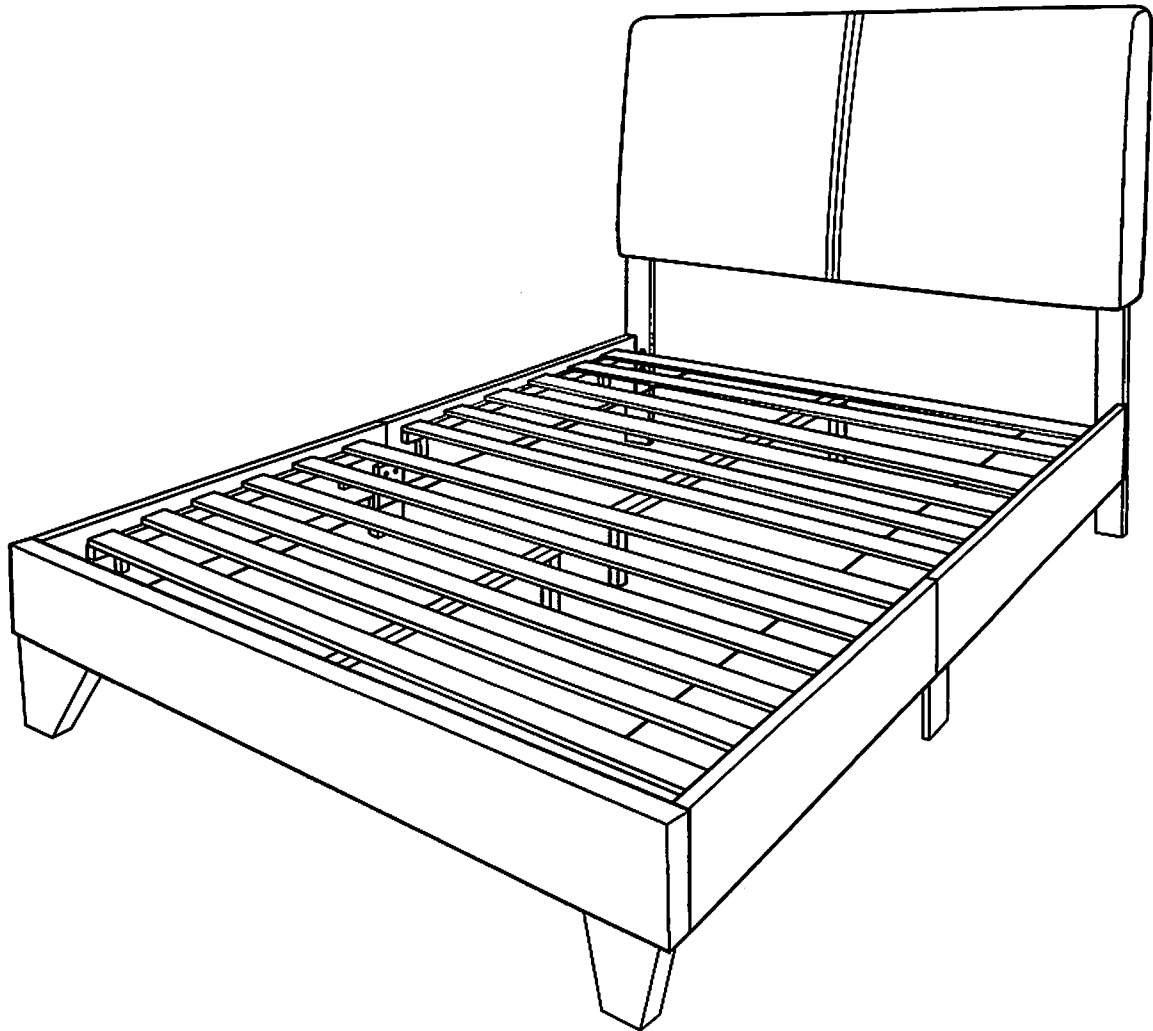


BETTER HOME PRODUCTS™

PANEL BED (TWIN)

Assembly Instruction



PANEL BED (TWIN)

1. Please read through and follow the step by step instructions in the leaflet.
2. We recommend that assembly is done in the room intended for use and it is assembled by two adults.
3. Please do not discard any packaging before you have checked all the parts and fittings are complete.
4. Assemble this product on a flat and clean surface to avoid scratching.
5. Do not fully tighten all bolts until all parts have been assembled loosely. Product and/or fittings might be damaged by over tightening screws or bolts. Beware of cross-threading the screws and nuts during assembly.
6. Keep fittings away from children's reach.
7. Take care when handling or moving the furniture. Careless handling can damage wooden furniture, try to lift rather than drag.

SAFETY WARNING: Do not stand on the bed base without a mattress in place.

General Care

Avoid the use of all household cleaners and abrasives. When moving you furniture, carefully lift into place. Never drag or push the pieces across the floor as this will cause damage to the joints and could result in failure to the product that will invalidate the warranty.

Recommendations

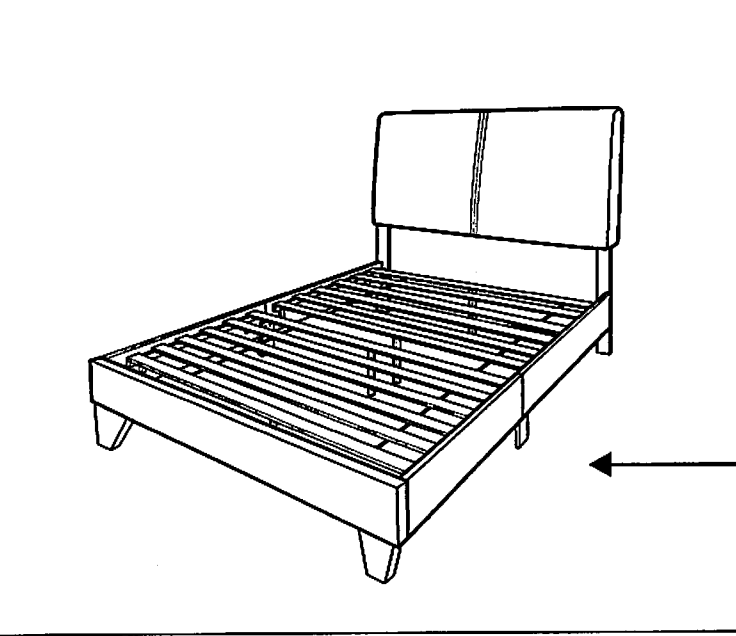
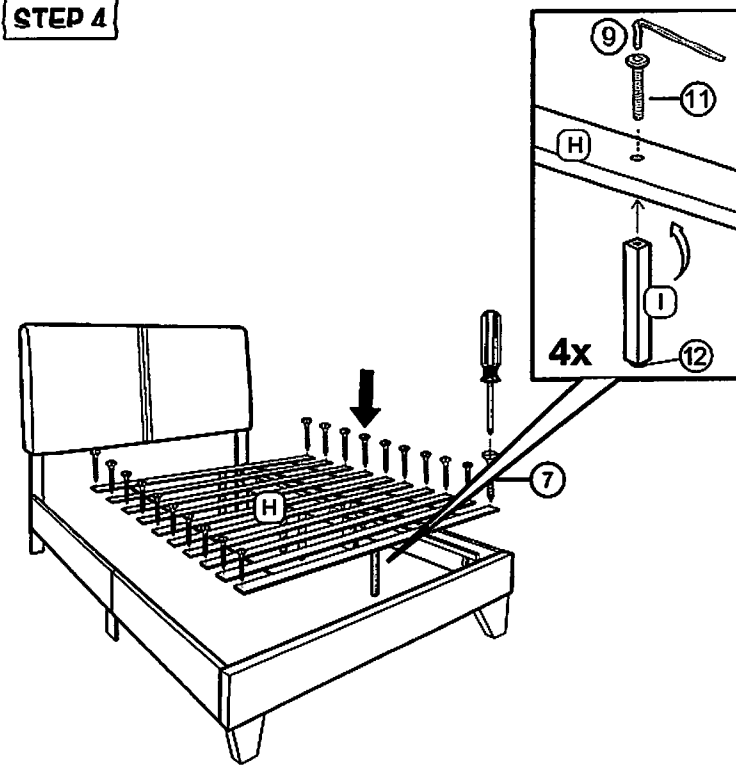
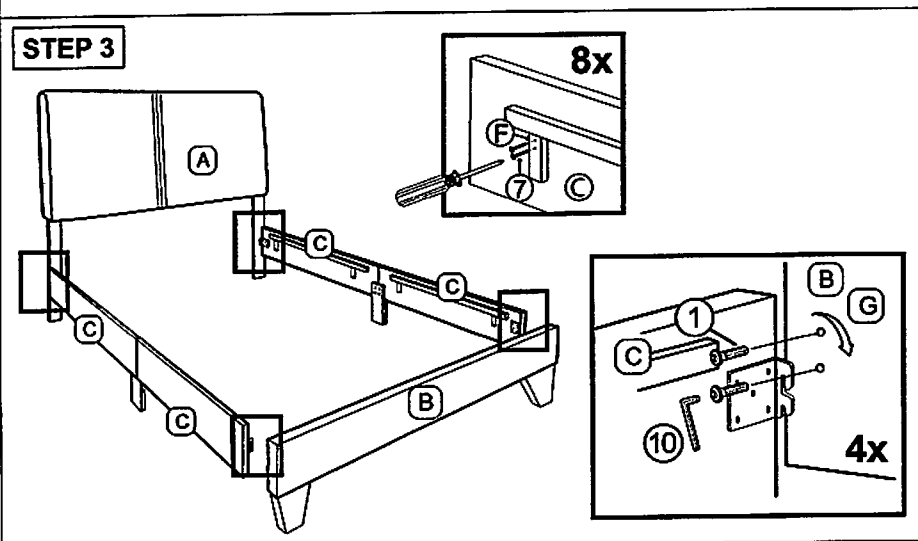
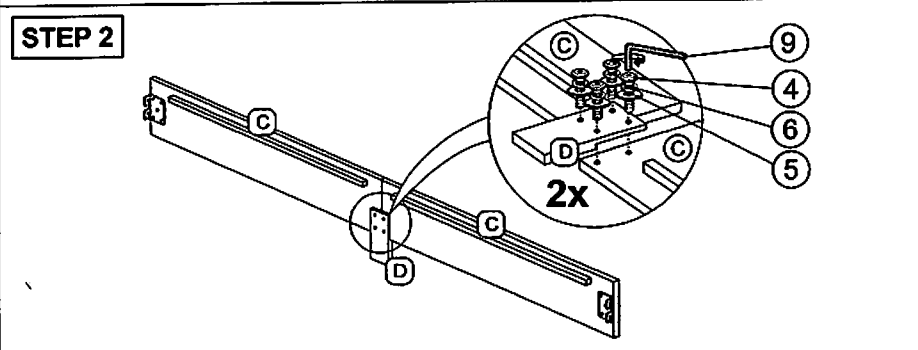
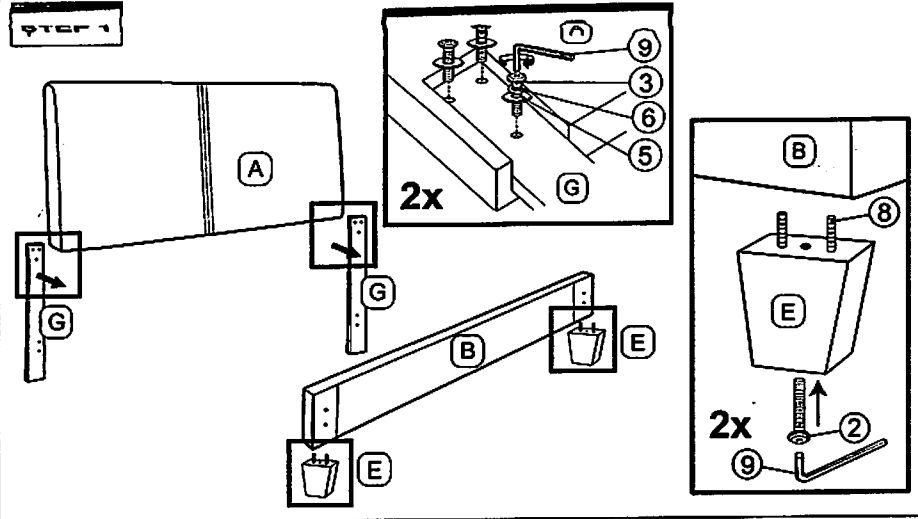
Periodical re-tightening of fixings.

Warning

This unit is heavy. Please use an assistant when lifting.

MODEL: PANEL TWIN BED

ASSEMBLY INSTRUCTIONS



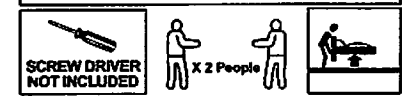
NO	PART LIST	QTY
A	Head Board	1 pc
B	Foot Board	1 pc
C	Side Rail	4 pcs
D	Side Rail Support Leg	2 pcs
E	Bed Leg	2 pcs
F	Slat Support Cube	8 pcs
G	Headboard Leg	2 pcs
H	Bed Slat	10 pcs
I	Center Support Leg	4 pcs

NO	HARDWARE LIST	QTY
1	JCBB M8 x 20mm	8 pcs
2	JCBC M6 x 70mm	2 pcs
3	JCBC M6 x 50mm	6 pcs
4	JCBC M6 x 25mm	8 pcs
5	Flat Washer M6	14 pc
6	Spring Washer M6	14 pc
7	CSK M4 x 32mm	36 pc
8	Wood Dowel M8	4 pc
9	Allen Key M4	1 pc
10	Allen Key M5	1 pc
11	JCBC M6 x 40mm	4 pcs
12	Adjuster M6	4 pcs

Read this instruction carefully. Remove all wrapping material, staples and straps from the carton. See hardware and furniture part list for guidance. Be sure you have all wooden furniture parts on a clean and flat soft surface, such as a carpet or rug, to prevent from being scratched.

CAUTION:

- Do not FULLY - TIGHTEN the nut or screw until all ready to assemble.
- Do not OVER - TIGHTEN the nut or screw to avoid causing damages to the thread.
- Keep all hardware part out reach of children.



COMPLETE ASSEMBLE