

ASSEMBLY INSTRUCTIONS



Fine Furniture for every stage of life

Dresser

REVISION 0 : 04/13/2016
REVISION 1 : 06/15/2017
REVISION 2 : 08/15/2019

ASSEMBLY INSTRUCTIONS

ASSEMBLY TIPS:

1. Remove hardware from box and sort by size.
2. Please check to see that all hardware and parts are present prior to start of assembly.
3. Please follow attached instructions in the same sequence as numbered to assure fast & easy assembly.



WARNING!

1. Don't attempt to repair or modify parts that are broken or defective. Please contact the store immediately.
2. This product is for home use only and not intended for commercial establishments.

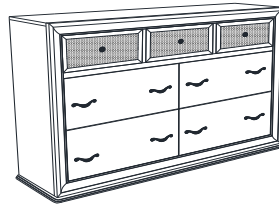


ASSEMBLY TIME

5 MINUTES

PARTS IDENTIFICATION

A DRESSER



1PC

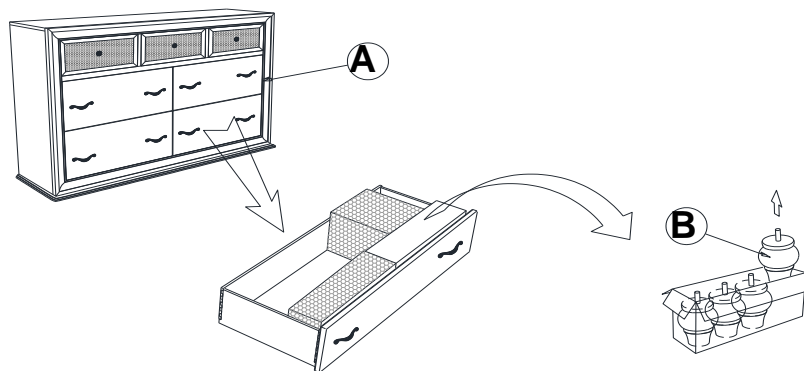
B BUN FOOT



4PCS

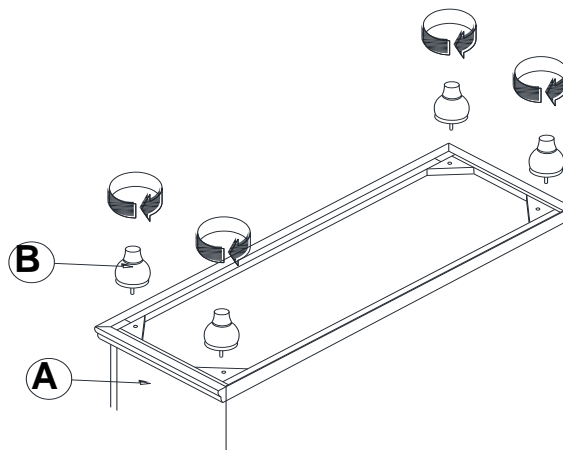
ASSEMBLY INSTRUCTIONS

STEP 1

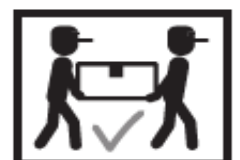


BOTTOM DRAWER BOX

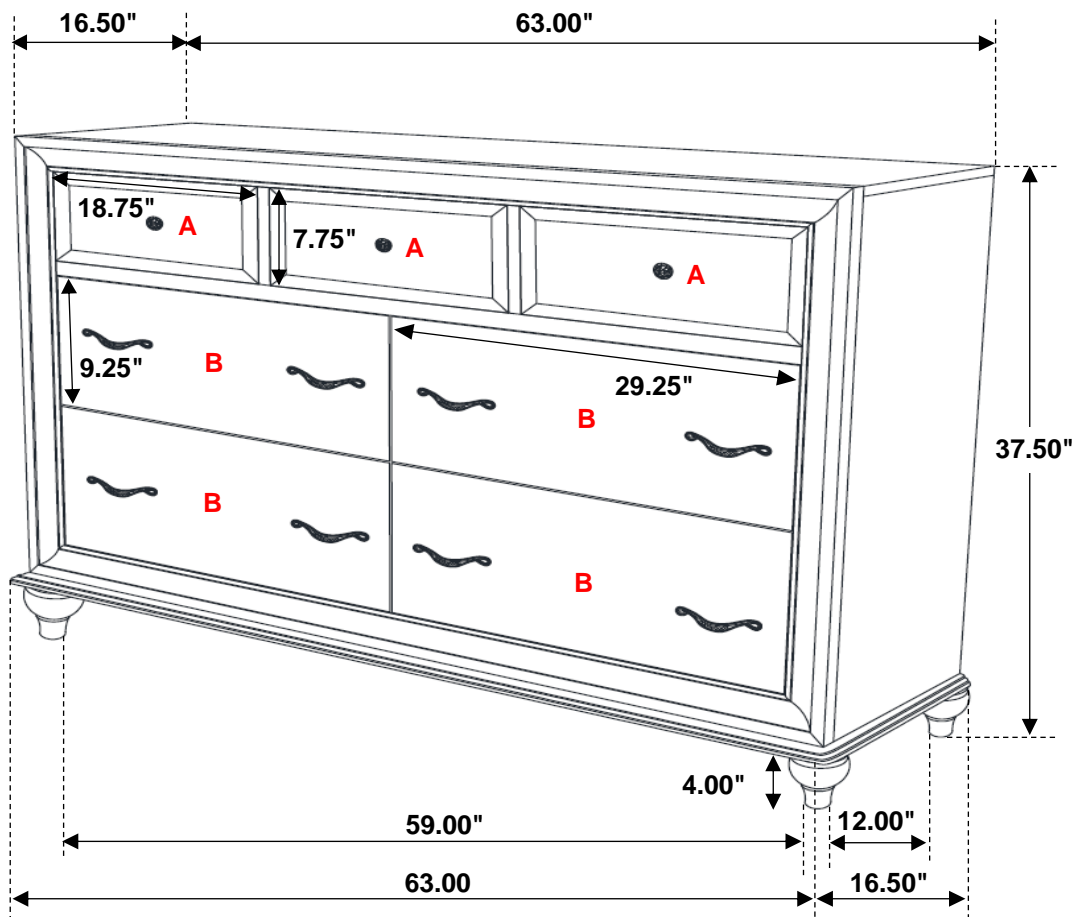
STEP 2



STEP 3 **COMPLETE**



Inner Size of Drawer A : 17.00"W X 12.50"D X 5.00"H X 0.25"T
Inner Size of Drawer B : 27.25"W X 12.50"D X 5.00"H X 0.25"T



Note: Dimension tolerance $\pm 5\%$

ASSEMBLY INSTRUCTIONS



Fine Furniture for every stage of life

Mirror

REVISION 0 : 04/13/2016
REVISION 1 : 08/15/2019
REVISION 2 : 01/22/2020

PAGE 1 OF 5

ASSEMBLY INSTRUCTIONS

ASSEMBLY TIPS:

1. Remove hardware from box and sort by size.
2. Please check to see that all hardware and parts are present prior to start of assembly.
3. Please follow attached instructions in the same sequence as numbered to assure fast & easy assembly.



WARNING!

1. Don't attempt to repair or modify parts that are broken or defective. Please contact the store immediately.
2. This product is for home use only and not intended for commercial establishments.

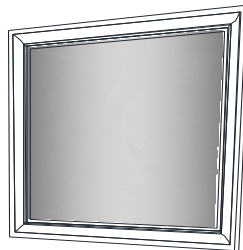


ASSEMBLY TIME

8 MINUTES

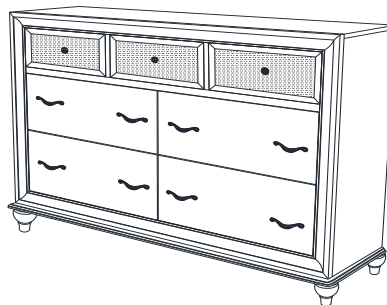
PARTS IDENTIFICATION

A MIRROR



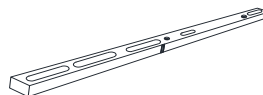
1PC

B DRESSER
FROM BOX



1PC

C MIRROR SUPPORT
(PACKED WITH MIRROR)



2PCS

ASSEMBLY INSTRUCTIONS

ASSEMBLY TIPS:






1. Remove hardware from box and sort by size.
2. Please check to see that all hardware and parts are present prior to start of assembly.
3. Please follow attached instructions in the same sequence as numbered to assure fast & easy assembly.



WARNING!

1. Don't attempt to repair or modify parts that are broken or defective. Please contact the store immediately.
2. This product is for home use only and not intended for commercial establishments.

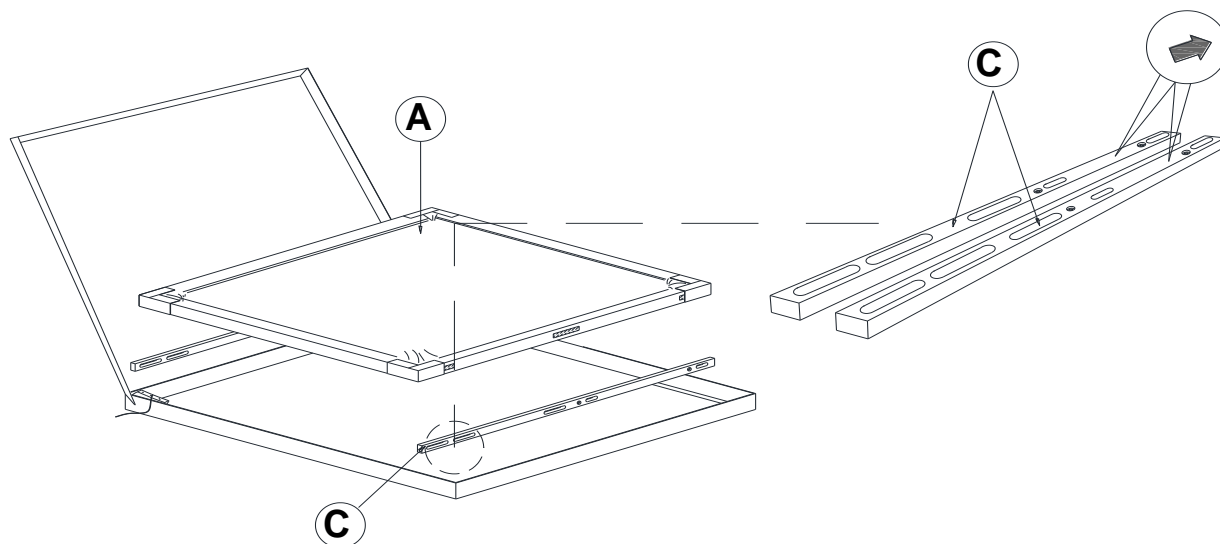
HARDWARE IDENTIFICATION

1	SHORT BOLT (M6 x 35mm - BLK)		4PCS
2	LONG BOLT (M6 x 40mm - BLK)		4PCS
3	LOCK WASHER (1/4" - BLK)		8PCS
4	FLAT WASHER (1/4" ID x 19mm - BLK)		8PCS
5	ALLEN WRENCH (M4 x 60mm - BLK)		1PC

ASSEMBLY INSTRUCTIONS

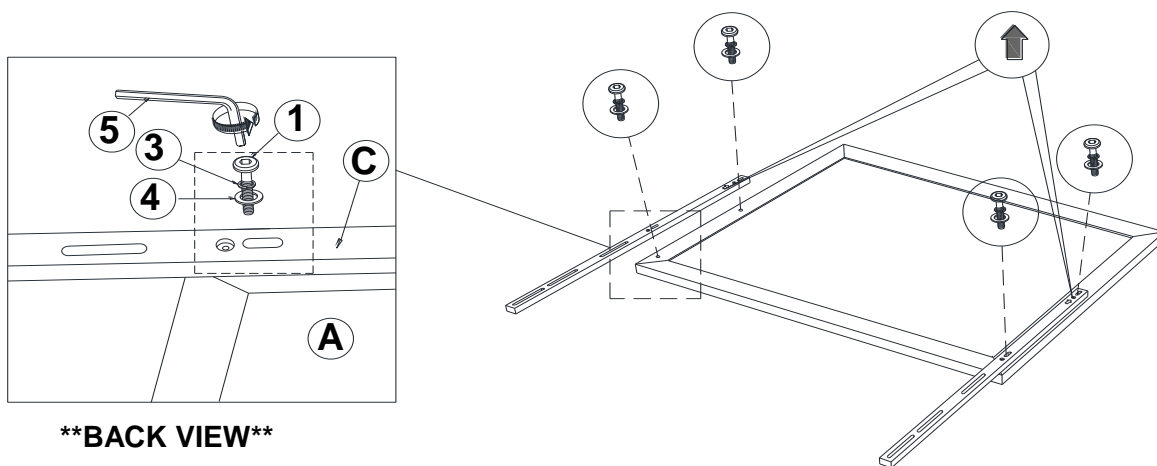
STEP 1

ARROW MARKING FACE UPWARD



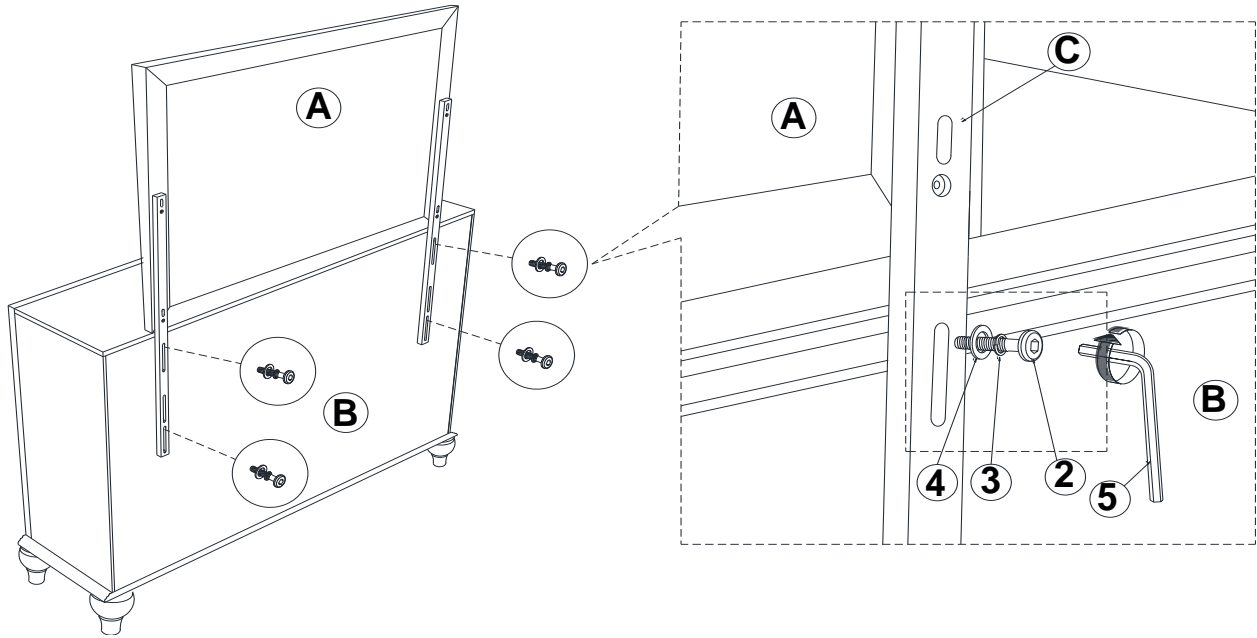
STEP 2

ARROW MARKING FACE UPWARD

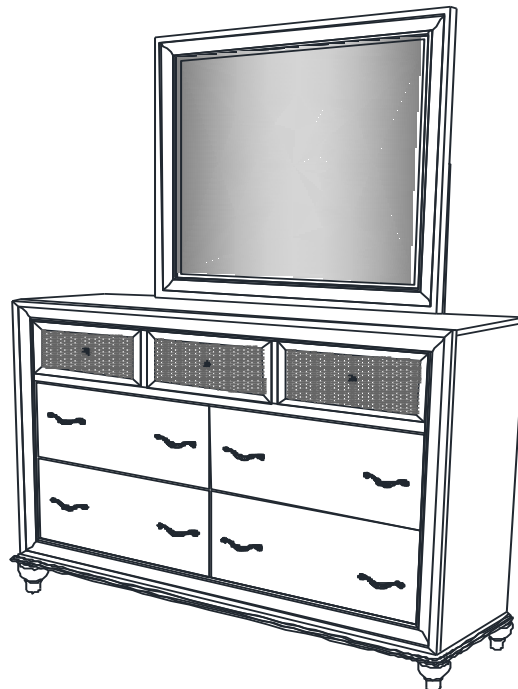


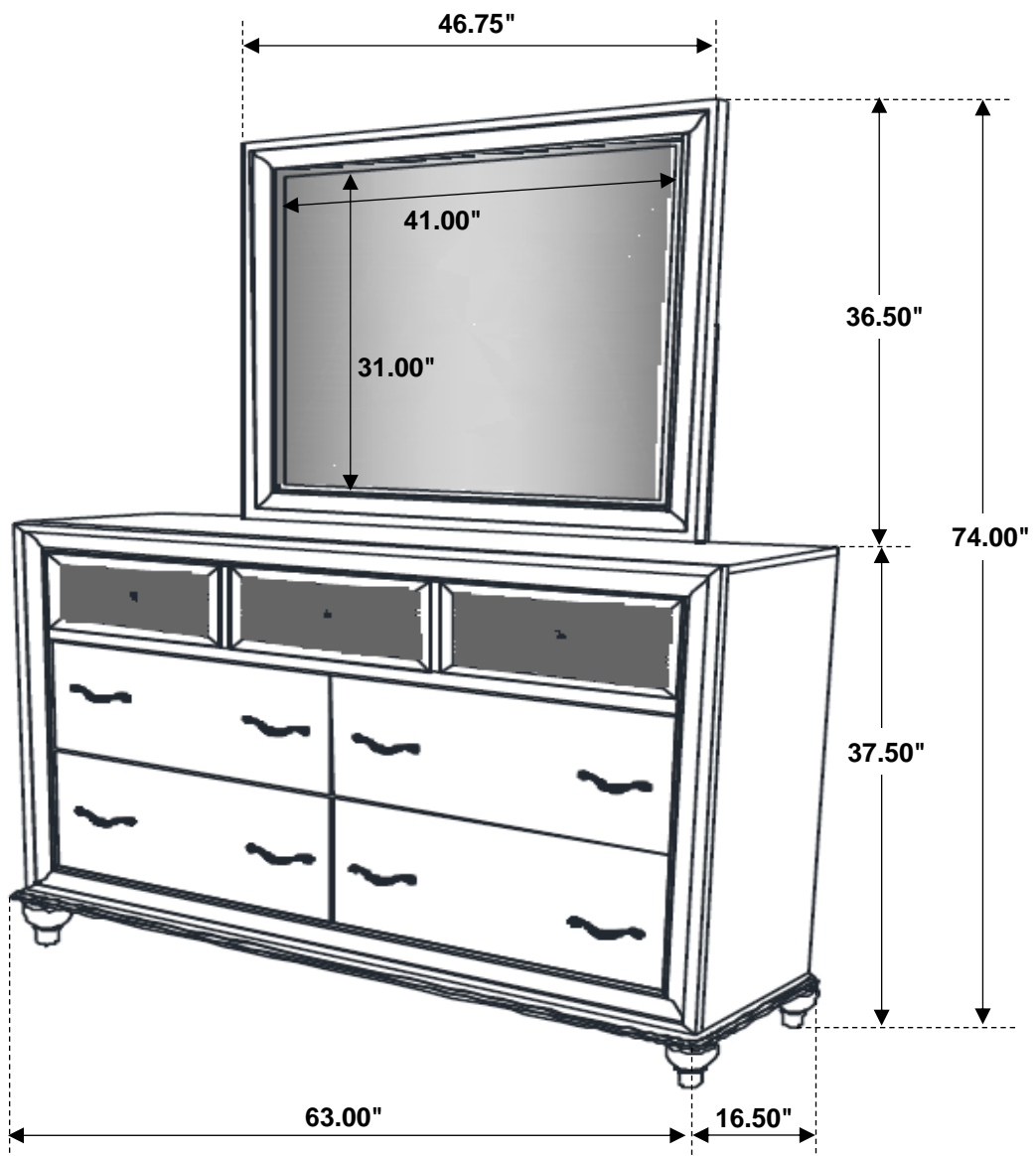
ASSEMBLY INSTRUCTIONS

STEP 3



STEP 4 COMPLETE





Note: Dimension tolerance $\pm 5\%$