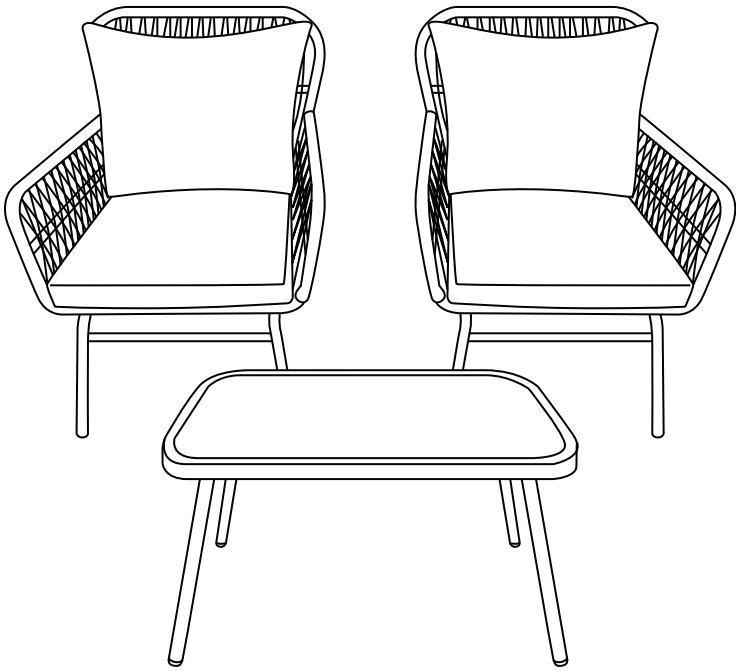


# Assembly Instruction



**3-Piece Patio Conversation Set**

# READ BEFORE INSTALLATION

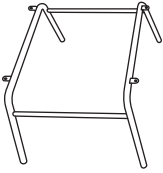
1.If you encounter any issues, such as missing hardware or damaged parts, please contact us and send photos. Our after-sales team will get back to you within 24 hours.

2.Assembly is recommended for one person

3.Use a low-speed drill. The included Allen wrench is recommended.

4.Do not fully tighten the screws until all screws are aligned with the holes.

(A)



Seat

2pcs

(B)



Backrest

2pcs

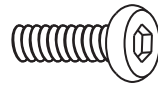
(C)



Cushion

2pcs

(D)



M6 x15mm

8pcs

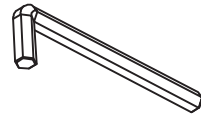
(E)



Washer

8pcs

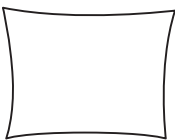
(F)



Allen Wrench

1pc

(G)

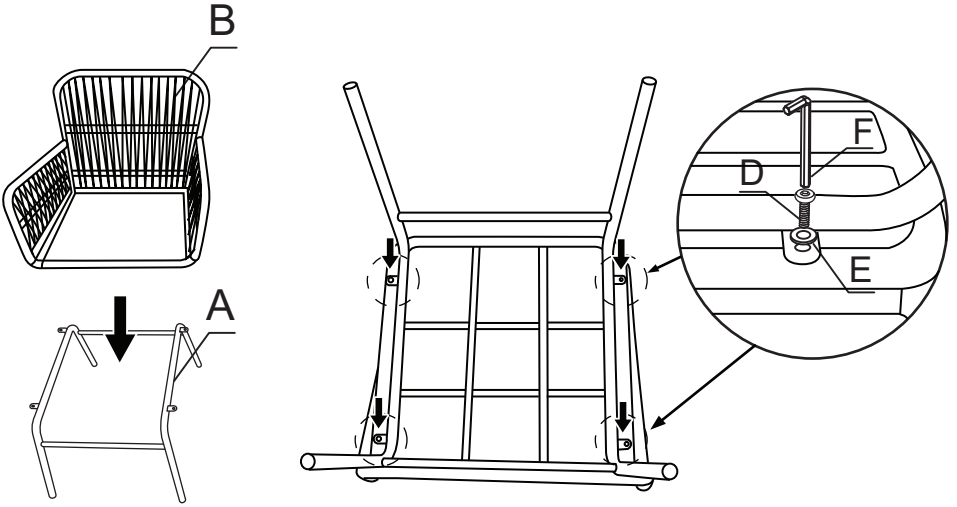


Pillow

2pcs

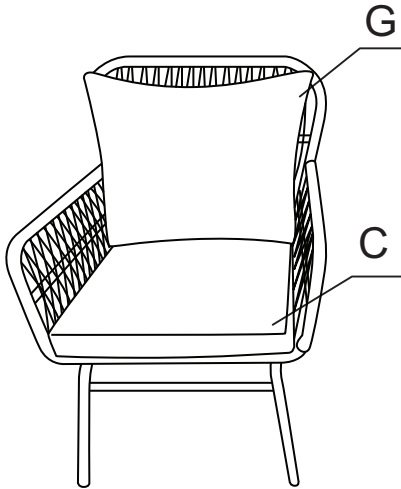
1

|     |     |     |     |     |
|-----|-----|-----|-----|-----|
| A*1 | B*1 | D*4 | E*4 | F*1 |
|-----|-----|-----|-----|-----|



2

|     |     |
|-----|-----|
| C*1 | G*1 |
|-----|-----|



(H)

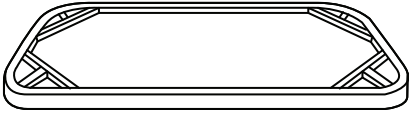


Table frame

1pc

(I)

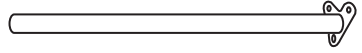


Table legs

4pcs

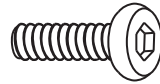
(J)



Glass Top

1pc

(D)



M6 x15mm

12pcs

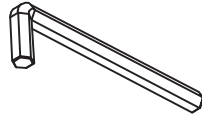
(E)



Washer

12pcs

(F)

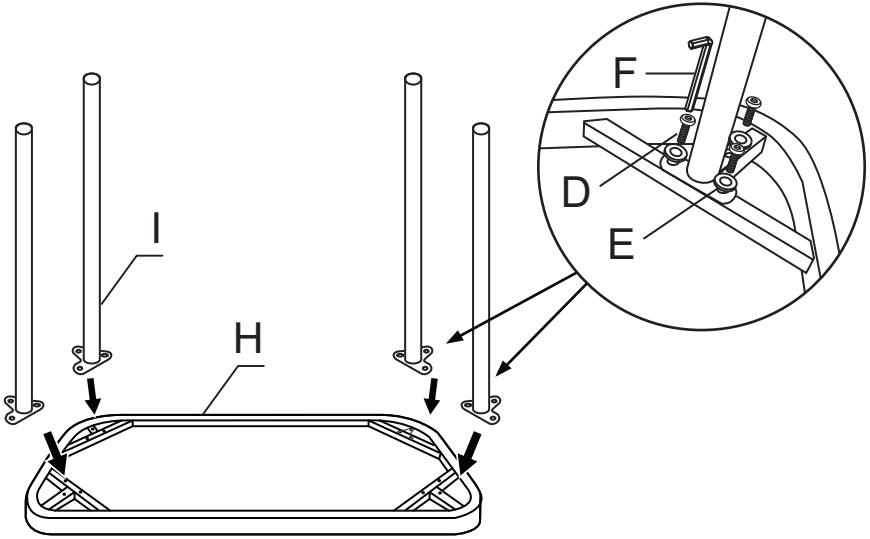


Allen Wrench

1pc

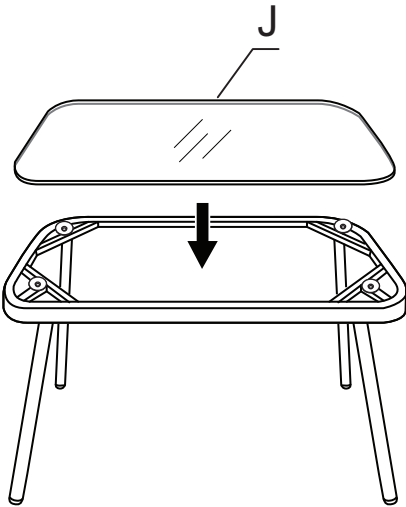
1

D\*12 E\*12 F\*1 H\*1 I\*4



2

J\*1



3

