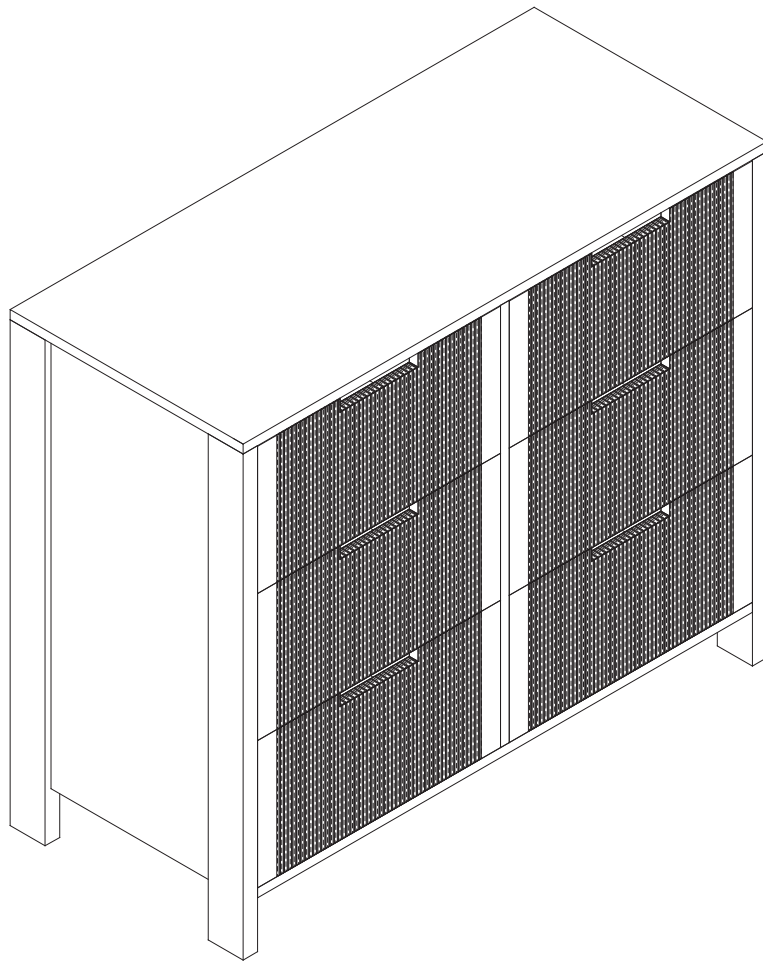


6-Drawer Dresser



ASSEMBLY INSTRUCTIONS



60 min. assembly

2 person

*The estimated assembly time may vary depending on the individual.

Hey, there

Now is assembly time!

Deeeeeeep breathe.... and again....
Tools ready,
Easy peasy!

Estimated



60 min. assembly
2 person

Tools Required

- Allen Wrench (included)
- Phillips screwdriver (not included)
- Power Drill (not included)

important: *Cautious when you use power tools*

Thank you for purchasing this LuxenHome product. This product has been manufactured with the highest standards of safety and quality.

PLEASE READ ALL INSTRUCTIONS CAREFULLY BEFORE ASSEMBLY.

Un pack all parts from the packaging inside the carton to ensure there are no missing or damaged parts. Lay out all the parts on a clean, flat, and soft surface to prevent scratches. Refer to the steps provided as assembling guide.

Do not attempt to assemble or use the product if any parts are missing or damaged.

REMINDERS

SAFE USAGE IS KEY

Your well-being is our top priority when you use our product. Please prioritize your safety by diligently following the assembly guidelines and inspecting the product carefully both when it arrives and before each use.

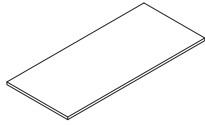
Please be aware that LuxenHome and Winsome House, Inc. cannot be held liable for any injuries or fatalities that occur due to not adhering to the provided instructions or misuse of the product.

DO NOT MODIFY

Our products undergo rigorous testing to ensure they meet established safety standards before being released for sale. Altering the product in any way can lead to serious safety concerns, for which LuxenHome cannot assume responsibility.

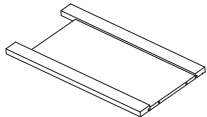
What's in the box

Parts



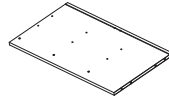
1 X 1

Top panel



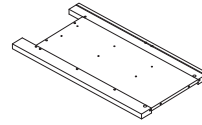
2 X 1

Left side panel



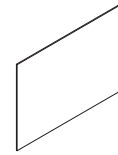
3 X 1

Middle side panel



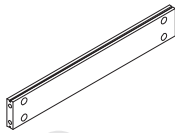
4 X 1

Right side panel



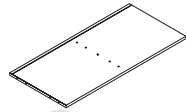
5 X 4

Back panel



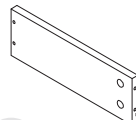
6 X 2

Back support bar



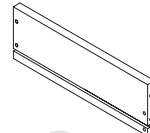
7 X 1

Bottom panel



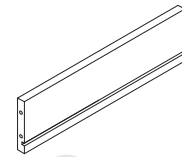
8 X 6

Drawer side panel



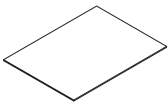
9 X 6

Drawer side panel



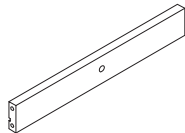
10 X 6

Drawer back panel



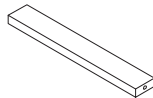
11 X 6

Drawer bottom panel



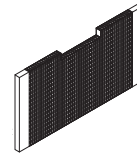
12 X 6

Drawer support bar



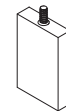
13 X 6

Drawer bottom support bar



14 X 6

Drawer front panel



15 X 1

What's in the box

Hardware & Accessory



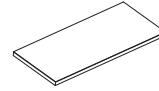
A X 48+3
M6 x 36mm



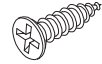
B X 48+3
M15 x 9mm



C X 36+3
M5.8 x 30mm



D X 4
50x15x2mm



E X 72+3
M3.5 x 12mm



F X 2
M4 x 14mm



G X 1



H X 34+3
M4 x 35mm



I X 16+2
M3 x 16mm



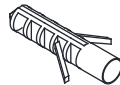
J X 16+2



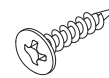
K X 2



L X 4



M X 2



N X 6
M4 x 30mm



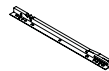
CL X 6



CR X 6

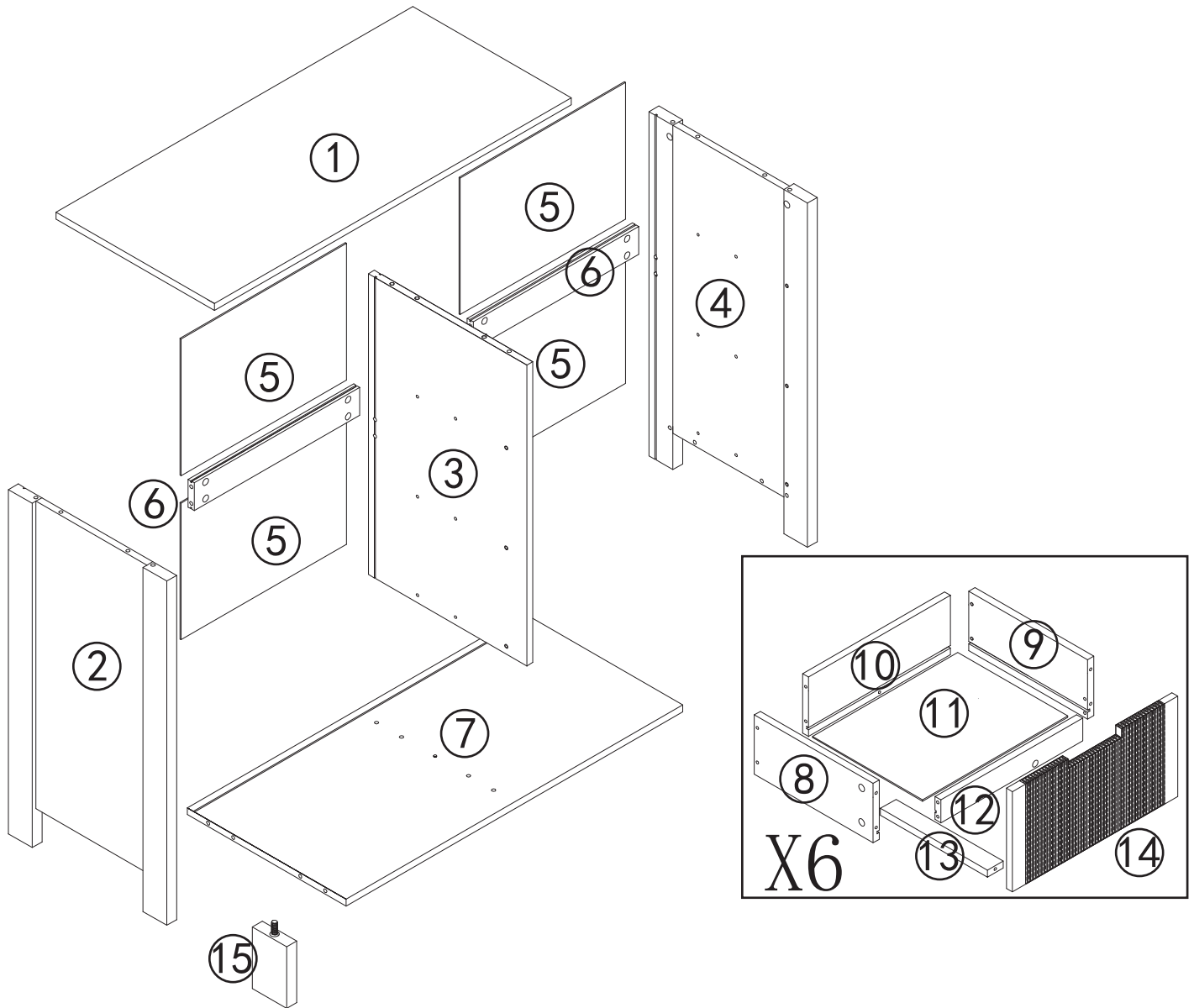


DL X 6



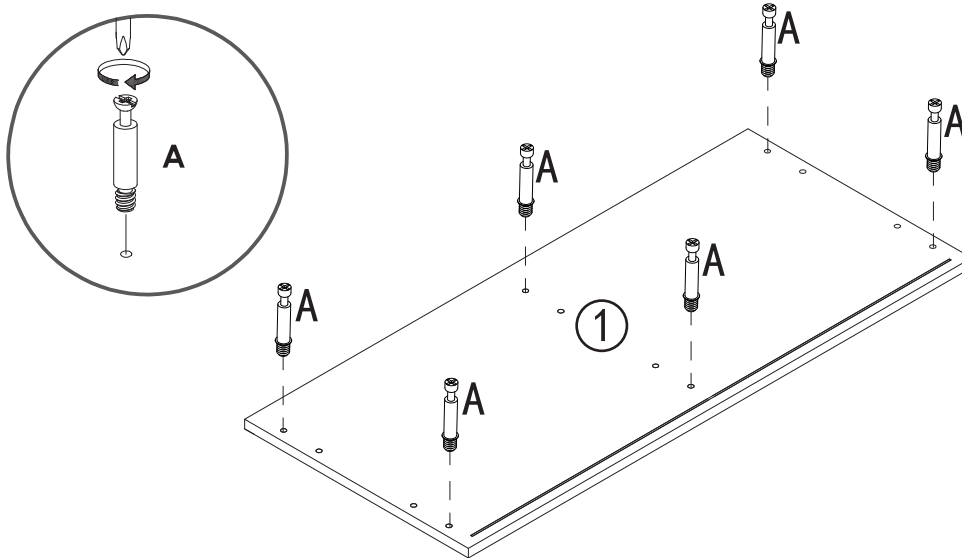
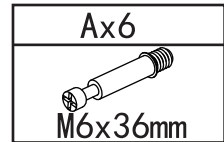
DR X 6

Assembly



Step 1

Insert quickfit screws (A) into part 1, as shown.

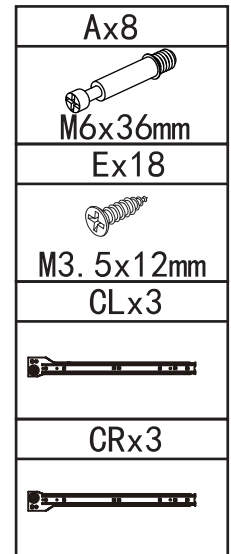
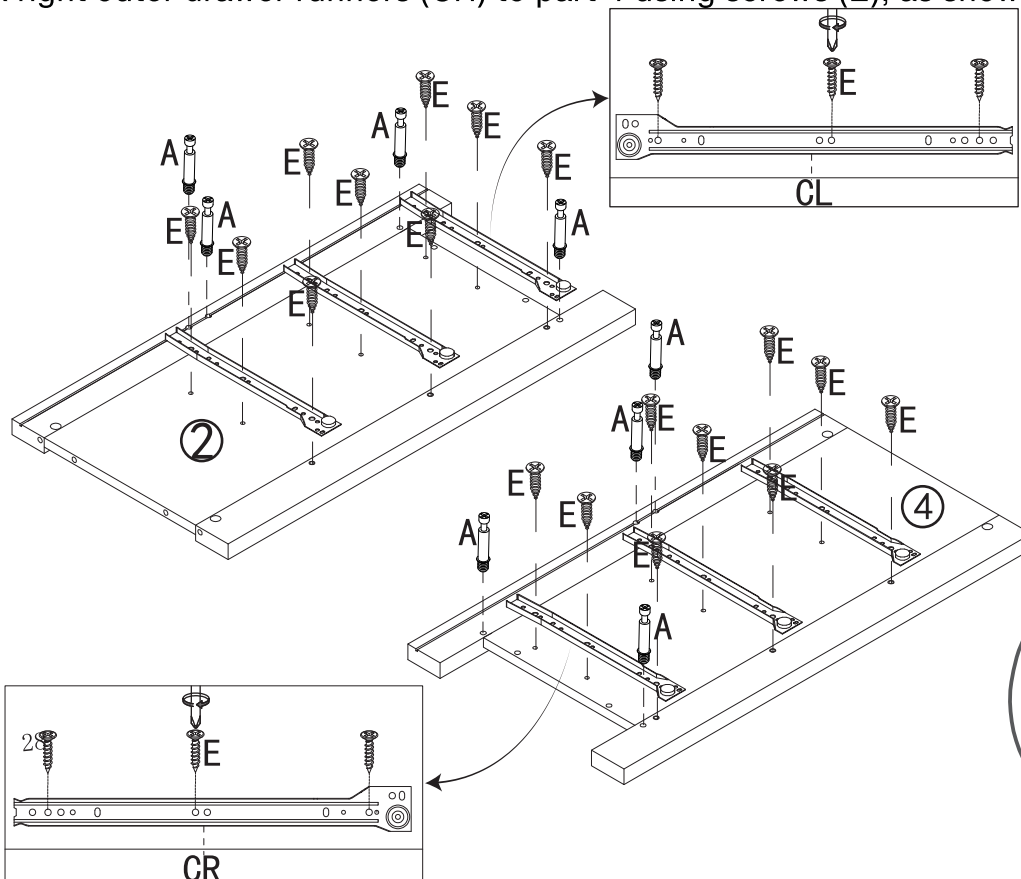


Step 2

Insert quickfit screws (A) into parts 2 and 4, as shown.

Fix left outer drawer runners (CL) to part 2 using screws (E), as shown.

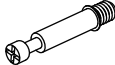



Fix right outer drawer runners (CR) to part 4 using screws (E), as shown.

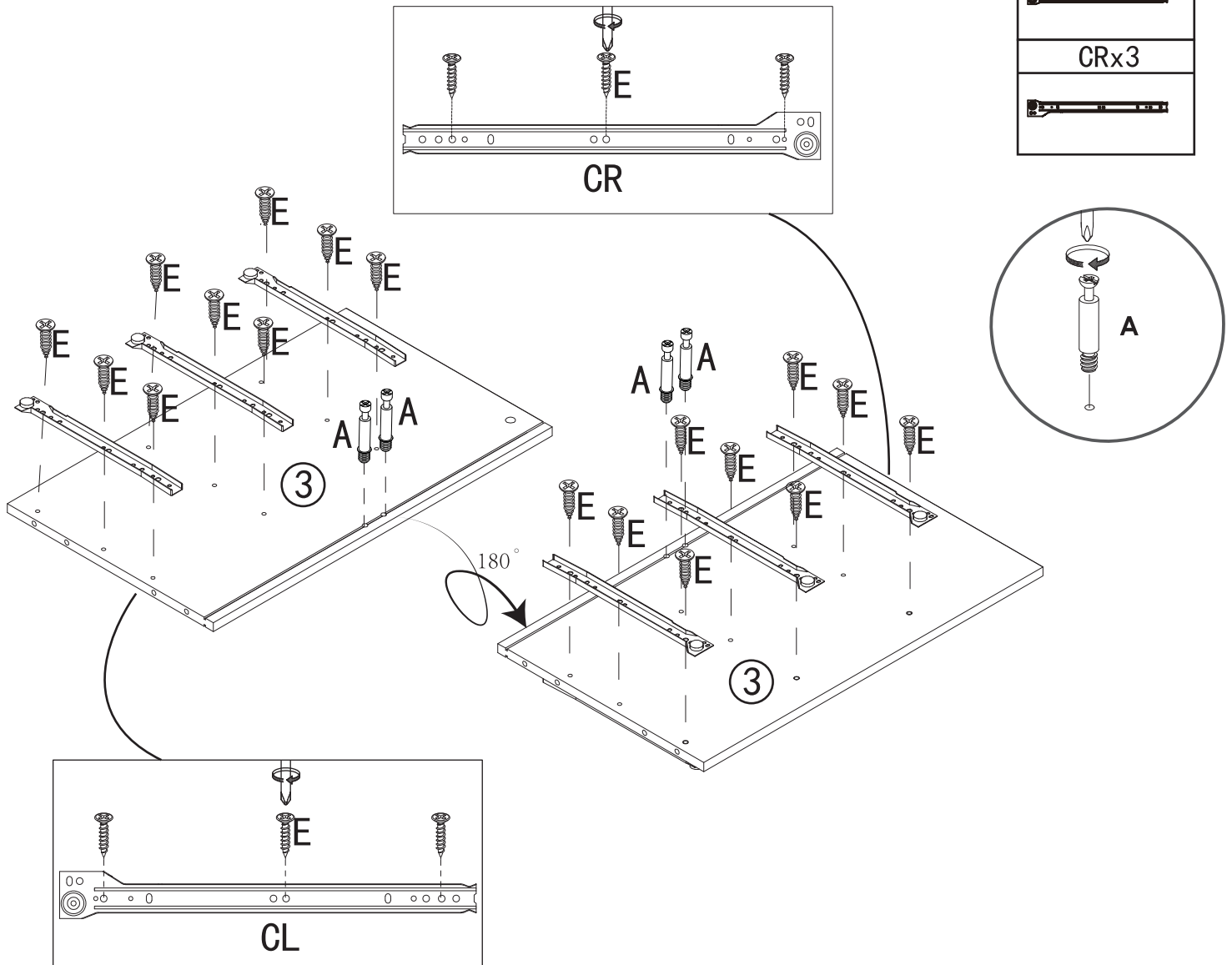


Step 3

Insert quickfit screws (A) into part 3, as shown.

Fix left outer drawer runners (CL) and right outer drawer runners (CR) to part 3 using screws (E), as shown.

Ax4
 M6x36mm
Ex18
 M3.5x12mm
CLx3

CRx3




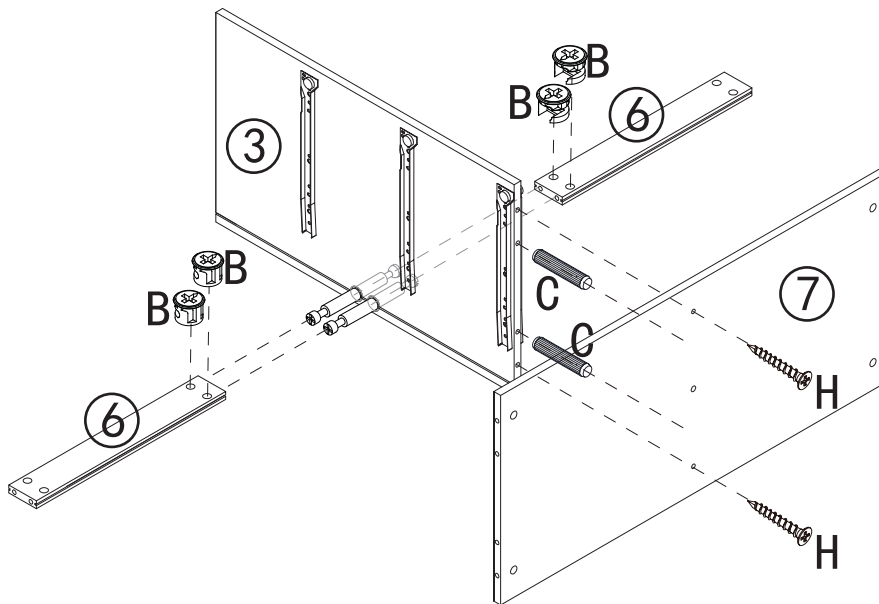
Step 4

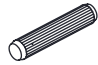


Insert wooden dowels (C) into part 3, as shown.

Insert cam locks (B) into parts 6, as shown.

Fit parts 6 to part 3, as shown. Turn cam locks clockwise to tighten.

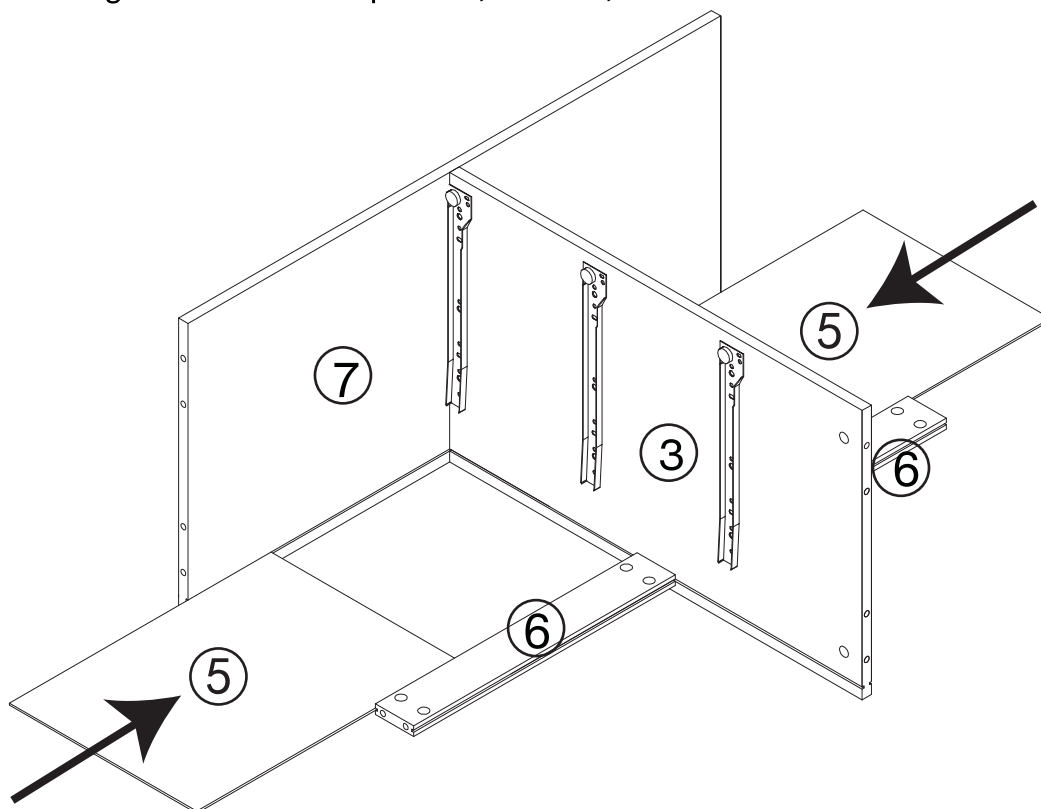
Fix part 7 to part 3 using screws (H), as shown.



Cx2
 M5. 8x30mm
Bx4
 M15x10mm
Hx2
 M4x35mm

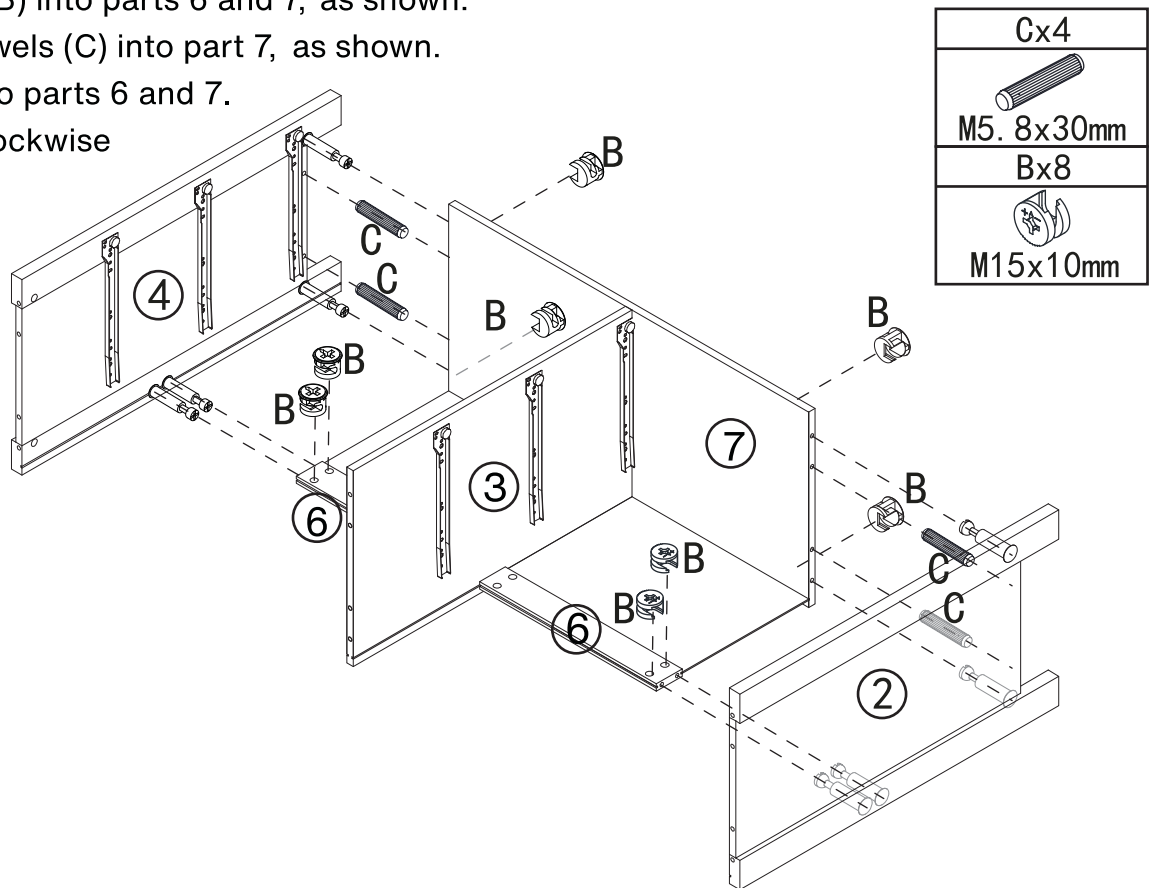
Step 5

Slide parts 5 into grooves between parts 3, 6 and 7, as shown.



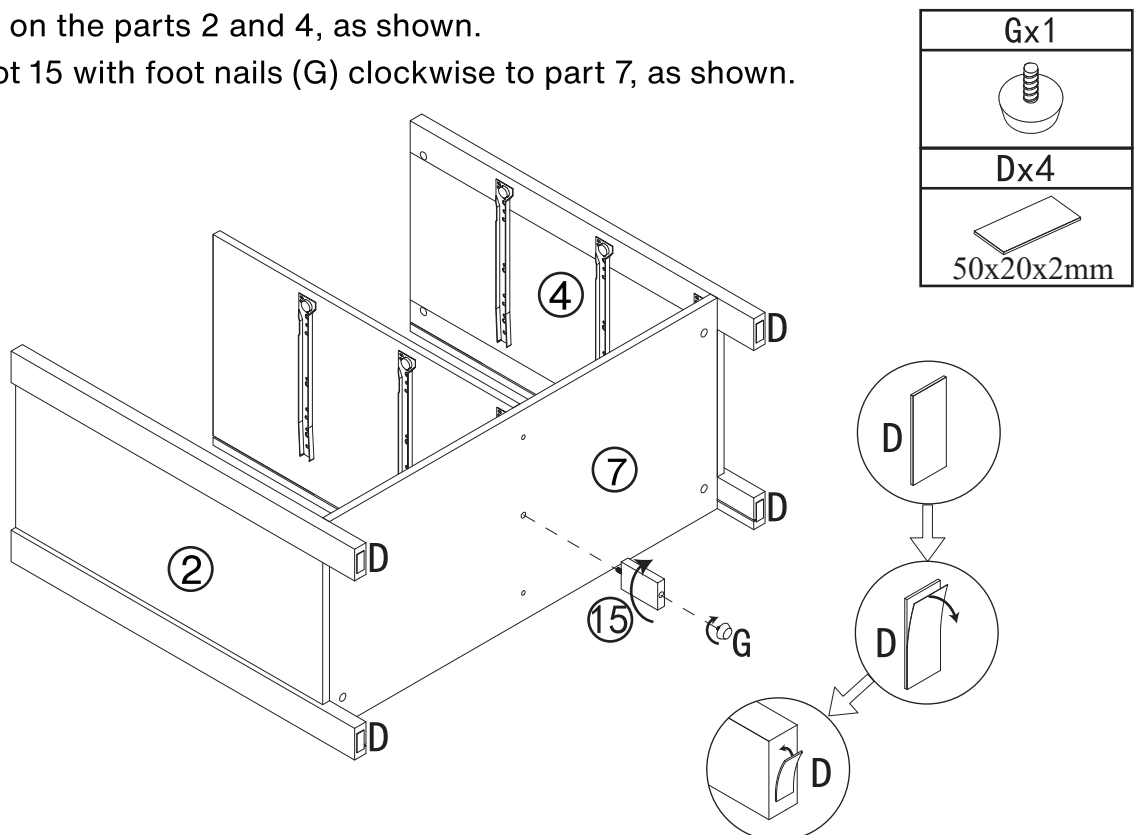
Step 7

Insert cam locks (B) into parts 6 and 7, as shown.
 Insert wooden dowels (C) into part 7, as shown.
 Fit parts 2 and 4 to parts 6 and 7.
 Turn cam locks clockwise to tighten.



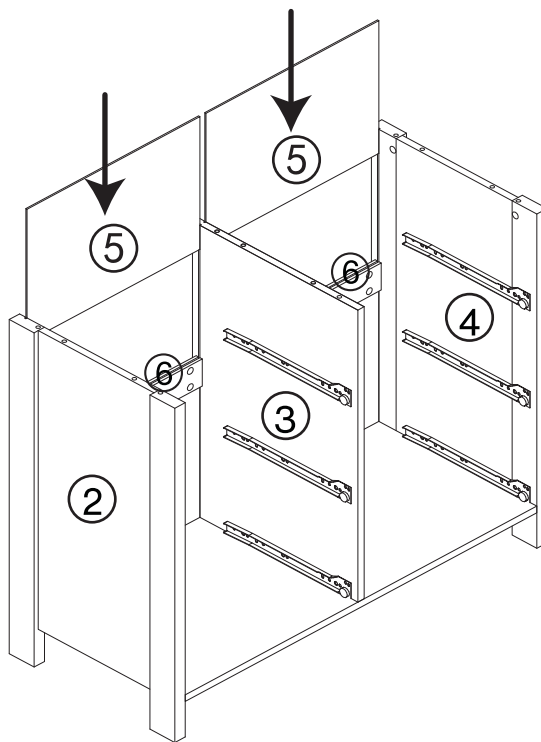
Step 8

Stick foot pads (D) on the parts 2 and 4, as shown.
 Turn adjustable foot 15 with foot nails (G) clockwise to part 7, as shown.



Step 9

Slide parts 5 into grooves between parts 2, 3, 4 and 6, as shown.

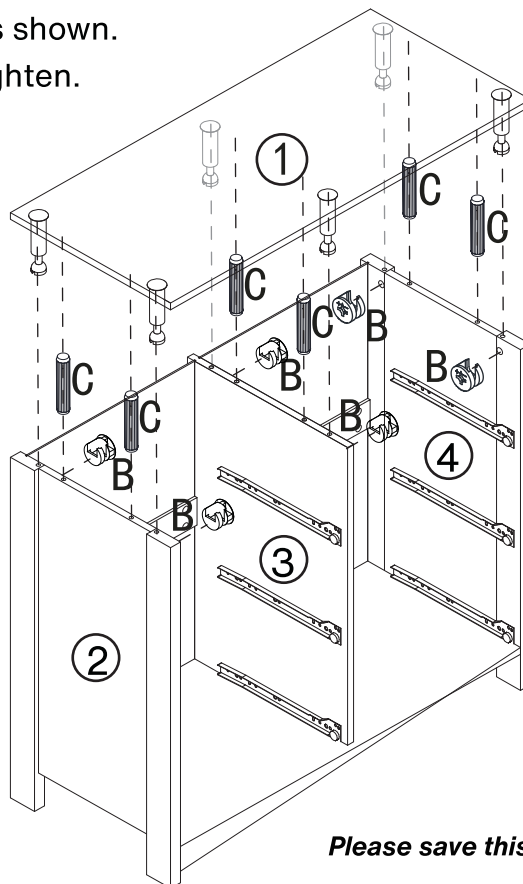




Step 10

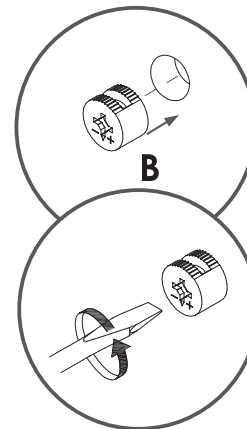
Insert cam locks (B) and wooden dowels (C) into part 2, 3 and 4, as shown.

Fit part 1 to parts 2, 3 and 4, as shown.

Turn cam locks clockwise to tighten.



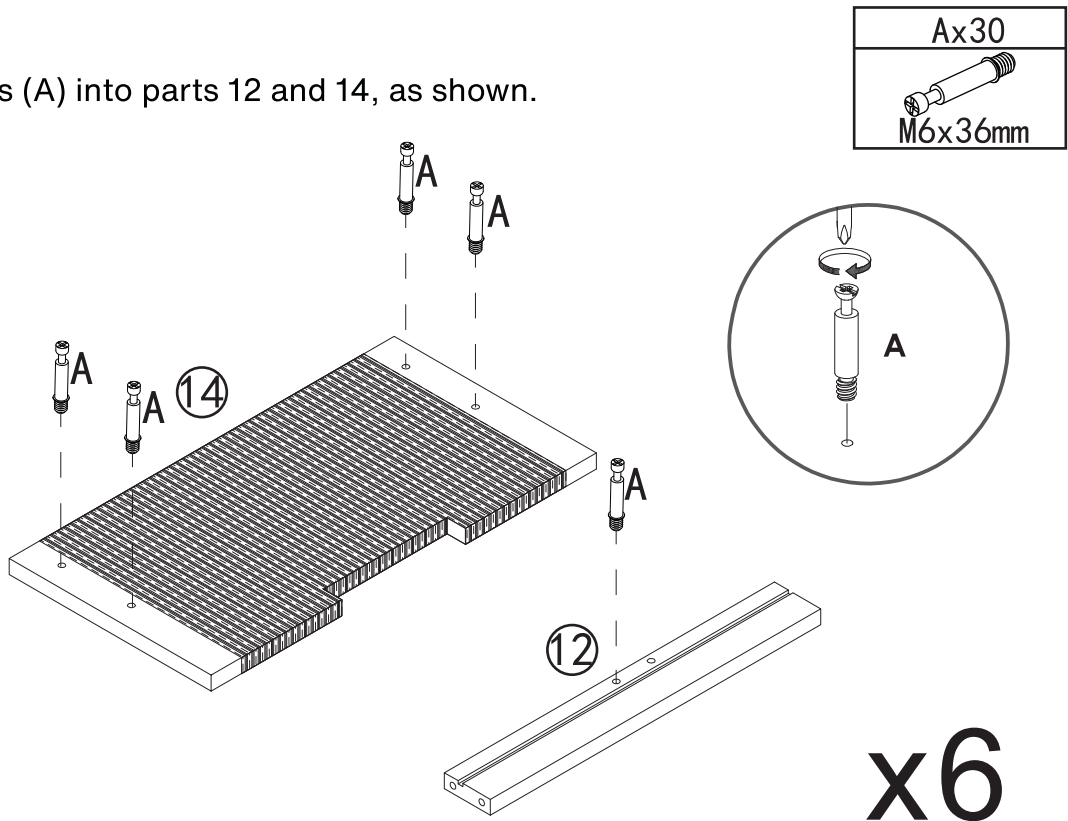
Cx6
 M5. 8x30mm
Bx6
 M15x10mm



Please save this manual for future reference.

Step 11

Insert quickfit screws (A) into parts 12 and 14, as shown.

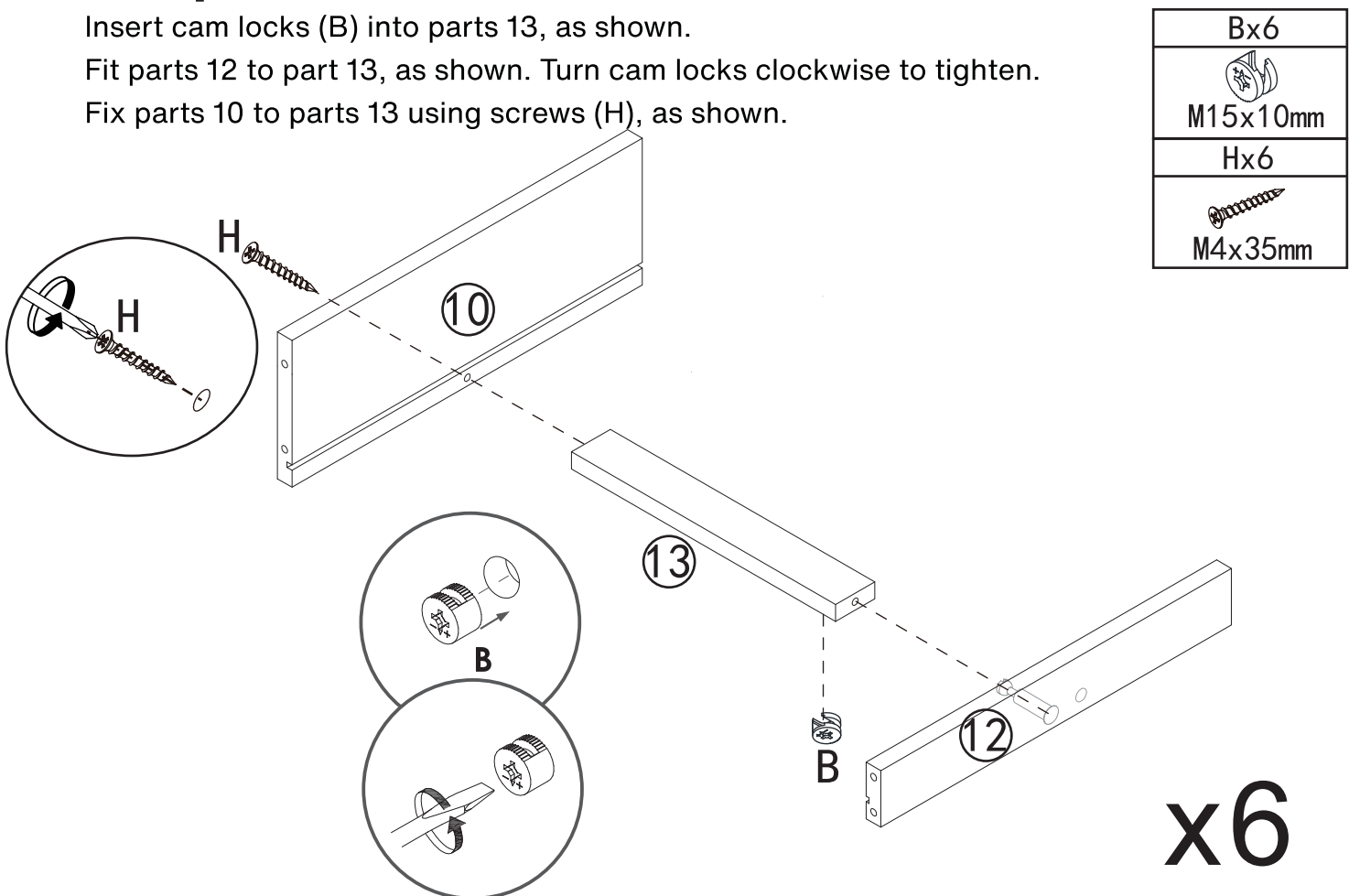


Step 12

Insert cam locks (B) into parts 13, as shown.



Fit parts 12 to part 13, as shown. Turn cam locks clockwise to tighten.

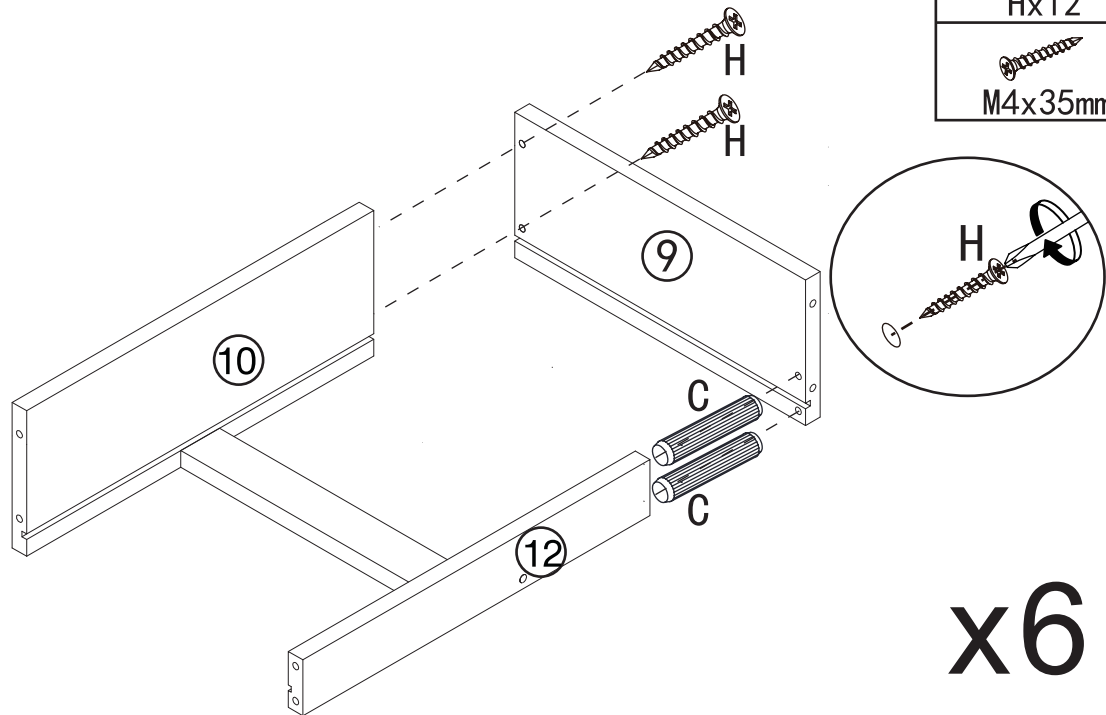
Fix parts 10 to parts 13 using screws (H), as shown.



Step 13

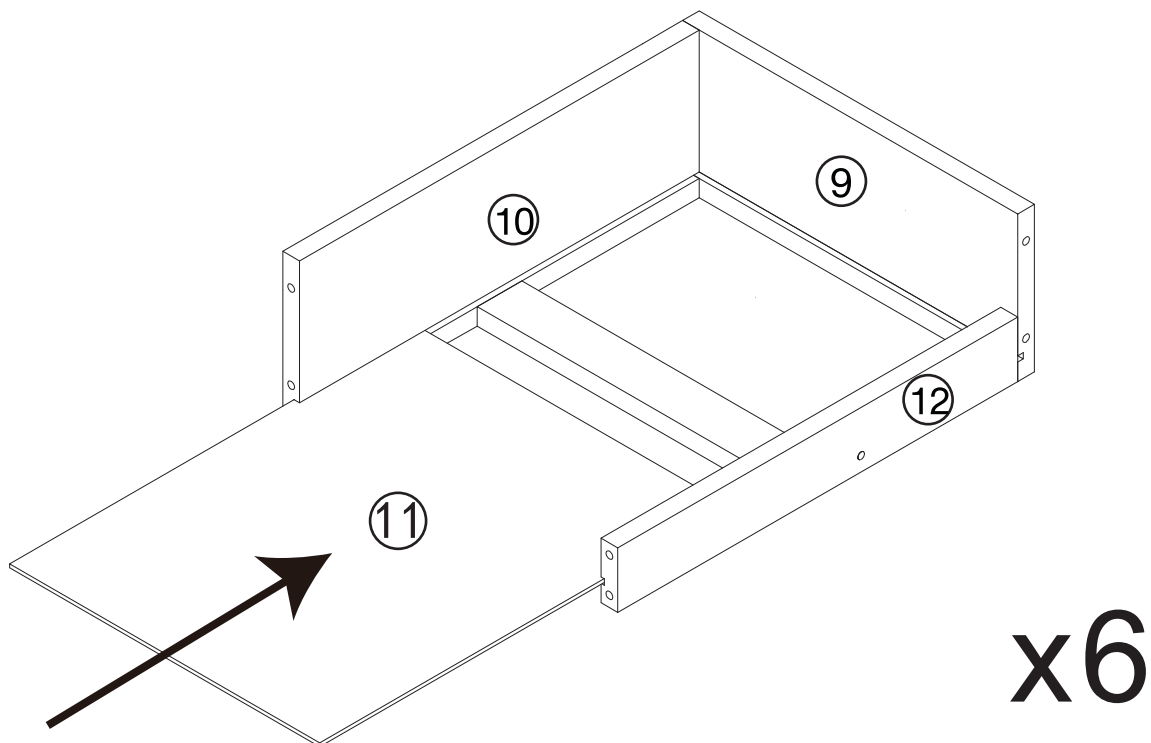
Fix parts 9 to parts 10 and 12 using wooden dowels (C) and screws (H), as shown.

Cx12

Hx12

M4x35mm





Step 14

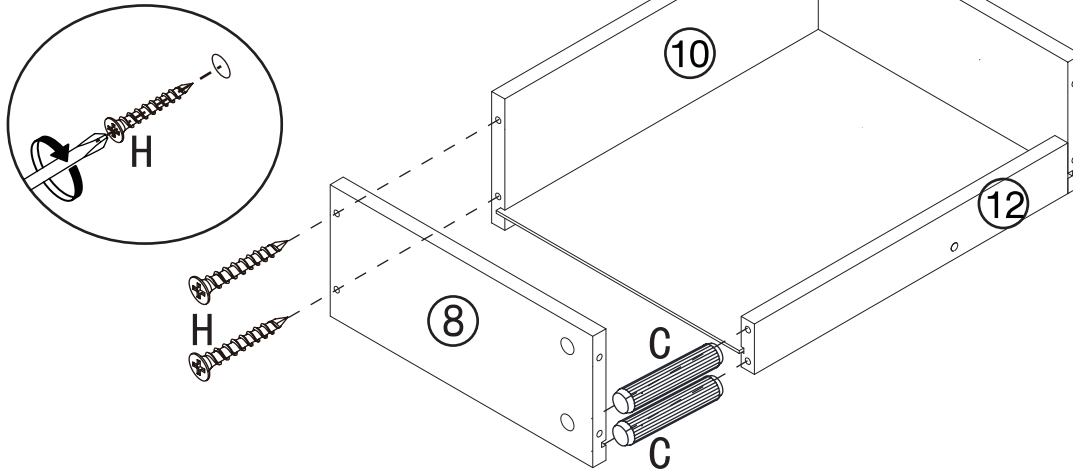
Slide parts 11 into grooves between parts 9, 10 and 12, as shown.



Step 15

Fit parts 8 to parts 10 and 12 using wooden dowels (C) and screws (H) as shown.

Cx12
 M5. 8x30mm
Hx12
 M4x35mm

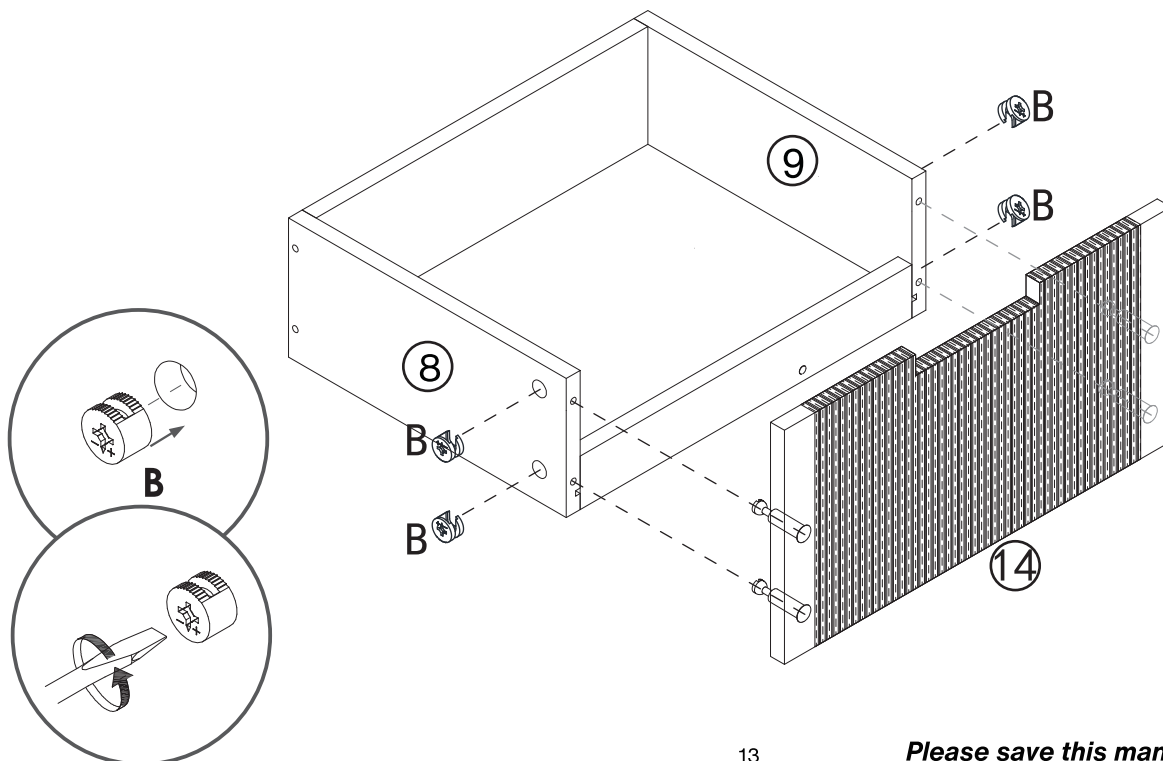


x6

Step 16

Insert cam locks (B) into parts 8 and 9, as shown.
Fit parts 14 to parts 8 and 9, as shown.
Turn cam locks clockwise to tighten.





Bx24
 M15x10mm

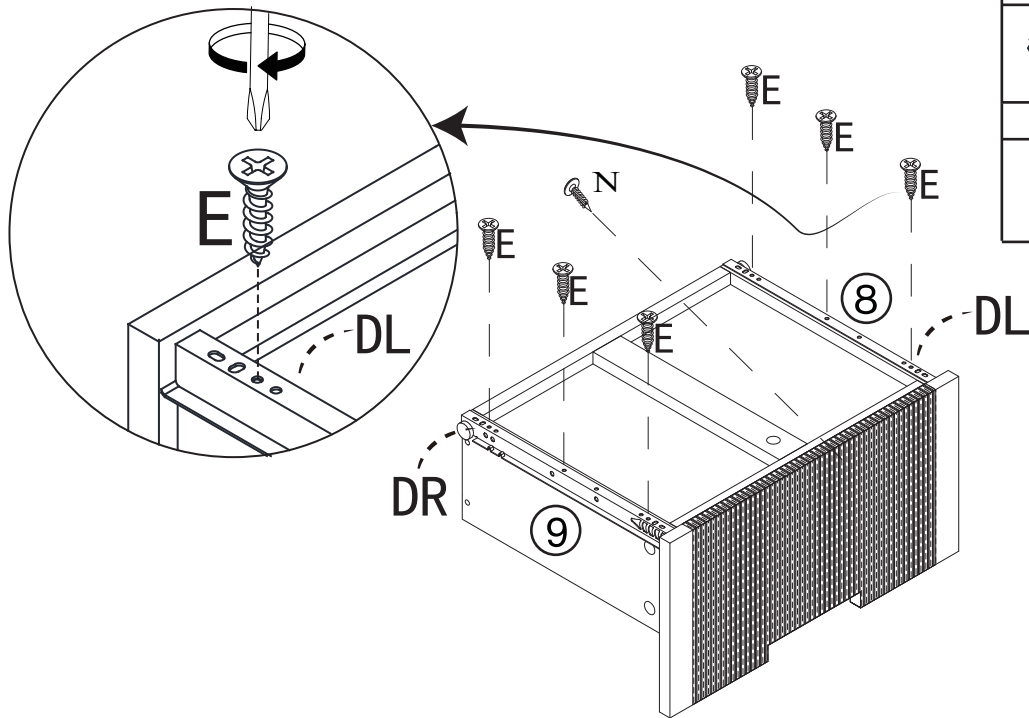


x6

Step 17

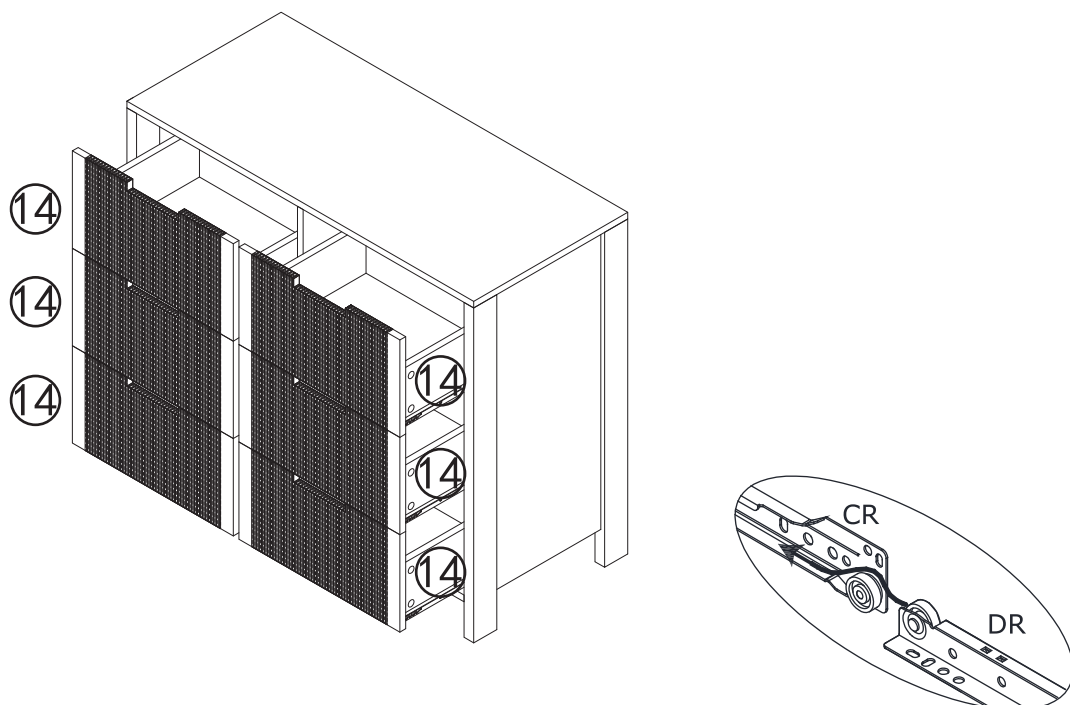
Fix left inner drawer runners (DL) and right inner drawer runners (DR) to parts 8 and 9 using screws (E), as shown.

Ex36

M3. 5x12mm
DRx6

DLx6

Nx6

M4 x 30mm



Step 18

Insert drawers into the assembled unit, as shown.








Step 19

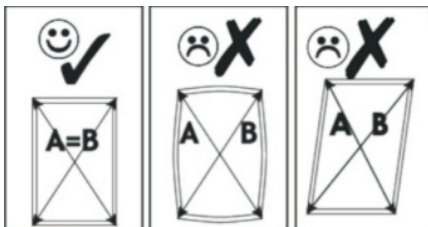
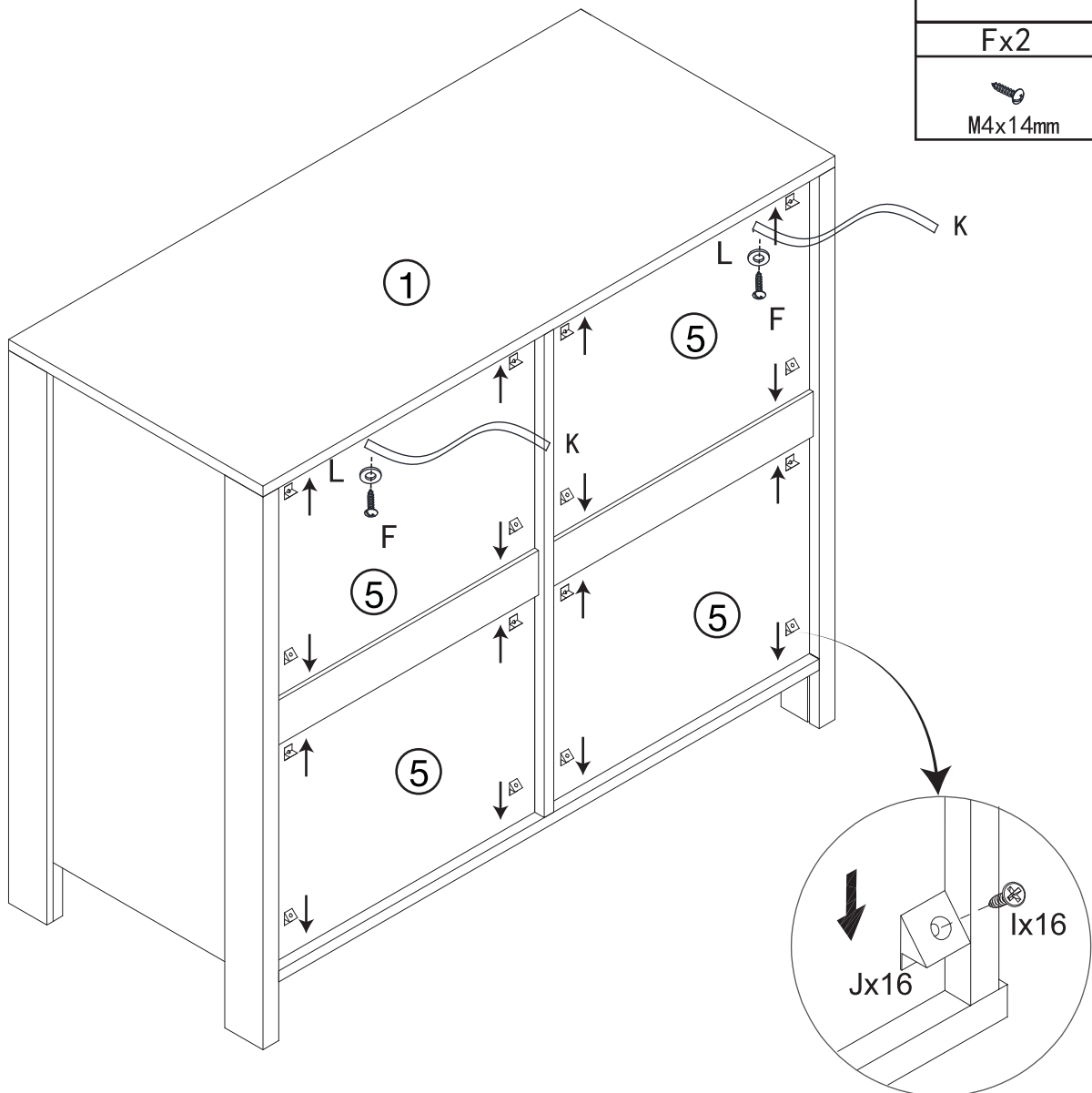
Secure backing panels 5 by fixing wedges (J) using screws (I), as shown.
 Fix wall straps (K) to part 1 using washers (L) and screws (F), as shown.

ATTENTION PLEASE

Please ensure the structure is straight and level and all panels are at right angles before installing hardware (J).

MUST install hardware (J) to strengthen product stability.

Ix16 
M3x16mm
Jx16 
Kx2 
Lx2 
Fx2 
M4x14mm

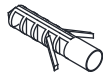




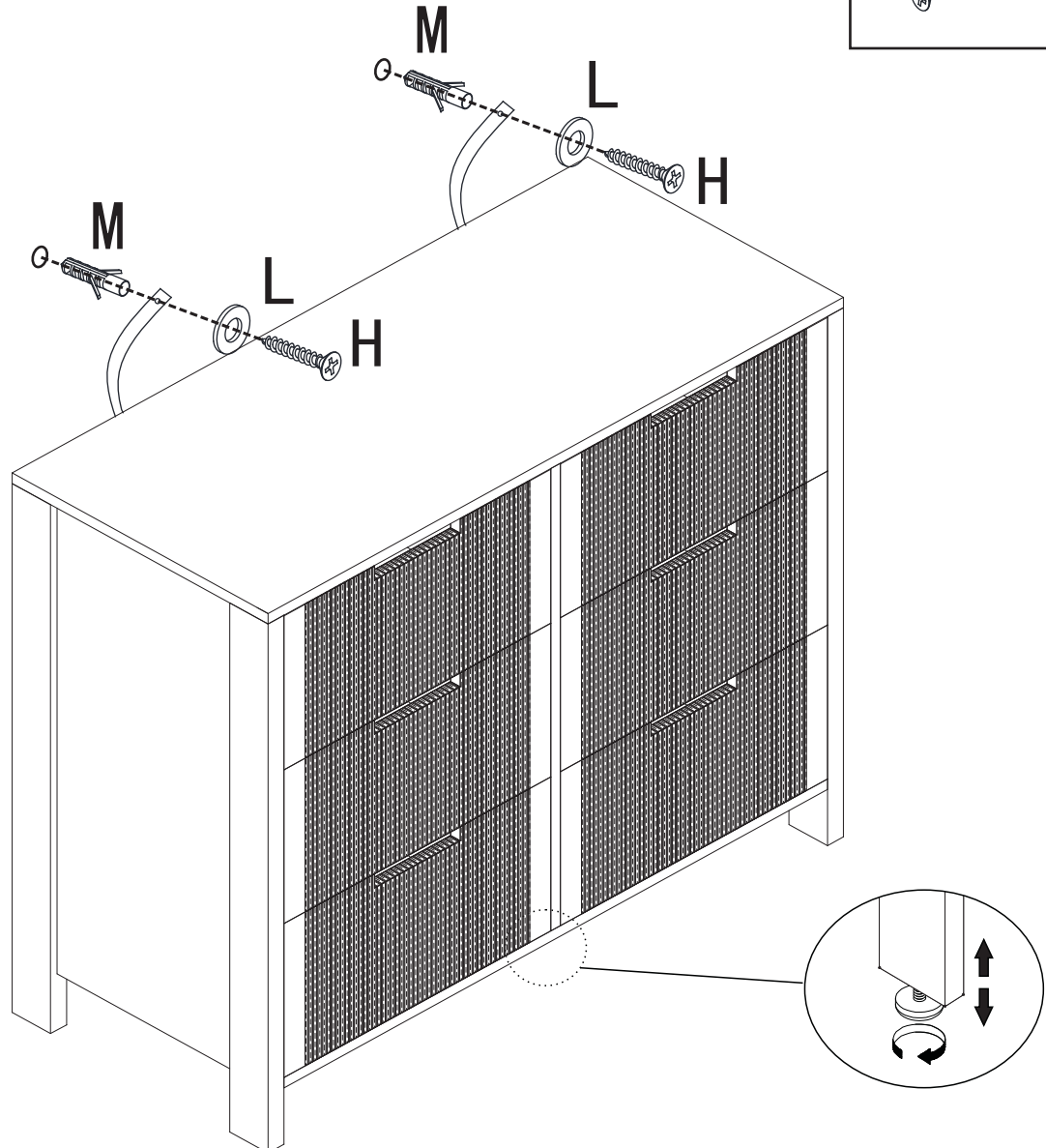
Step 20

For extra stability, it is recommended that you fix your 6-Drawer Dresser to the wall using hardwares (M, L and H), as shown.

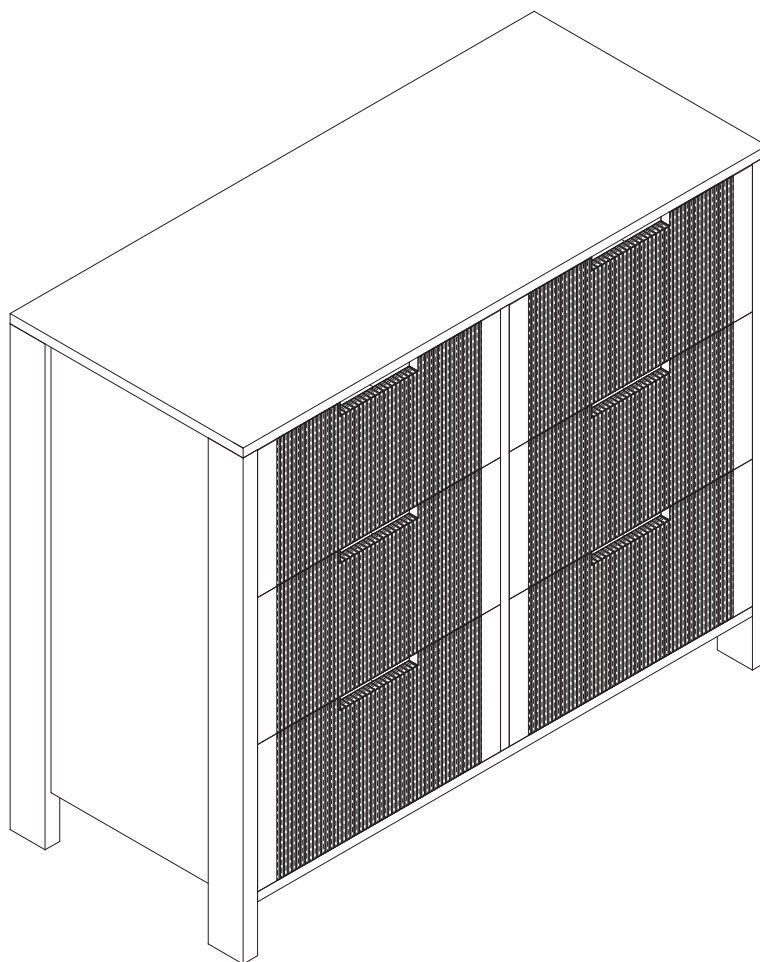
Screws (H) are fixed through washers (L) and wall straps and into the wall plugs (M), as shown.

Should you choose not to affix the product to the wall, serious injury may be caused if the product tips over.

Mx2

Lx2

Hx2




Now enjoy.



Warning

DO NOT sit or stand on the 6-Drawer Dresser as this may damage the product and cause serious bodily injury.

Something not right?

We are always here to help.

We make mistakes like every human does.

Though we always strive to provide the best possible products at competitive prices and the best service in the industry, it's not possible to completely eliminate mistakes. If you experience any dissatisfaction, feel free to contact us immediately. Our in-house customer care team will respond ASAP.

Leave us a review

It really help us as a small business

- Find the product you purchased on our website (tip: search by SKU) and leave us a review.
- Alternatively, you can always return to the marketplace where you purchased it and leave a review there.

Things to do to expedite the process

- Have your order# ready
- Take photos/videos to help us better identify the issues
- DO NOT throw away the packaging