

## Energy 55

### Features

- Bathroom Sink
- Made of Ceramic
- Glossy White Finish
- Without Overflow
- Wall Mount or Countertop (Vessel) Installation
- With Faucet Hole



### Related Items:

- WSBC 53991 | Push Waste Drain
- WSBC 53922 | Decorative Trap


### Finishes:

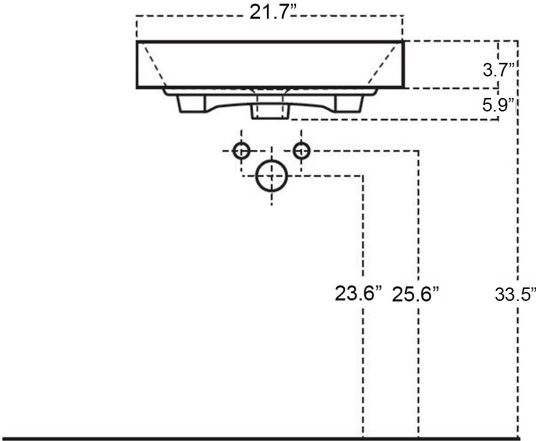
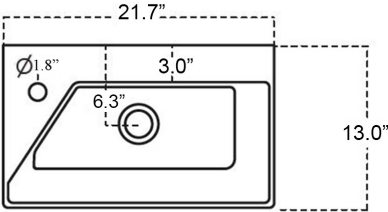
 Glossy White

### SKU# | Options:

- Energy 55 | Glossy White

\* WS Bath Collections reserves the right to revise dimensions or information on this sheet without notice

<b>Collection  </b> Energy	<b>Model  </b> Energy 55	Dimensions Metric <i>1 inch = 2.54 cm</i> <i>1 inch = 25.4 mm</i>	 1051 Lea Drive - Collegeville, PA 19426 Tel. 215 513 9400 - Fax 610 831 0215 <a href="http://www.ws bathcollections.com">www.ws bathcollections.com</a> - <a href="mailto:info@ws bathcollections.com">info@ws bathcollections.com</a>
-------------------------------	-----------------------------	---	---



**Collection**  
Energy

**Model |**  
Energy 55

**Dimensions Metric**  
1 inch = 2.54 cm  
1 inch = 25.4 mm



1051 Lea Drive - Collegeville, PA 19426  
Tel. 215 513 9400 - Fax 610 831 0215  
[www.ws bathcollections.com](http://www.ws bathcollections.com) - [info@ws bathcollections.com](mailto:info@ws bathcollections.com)

We recommend the following items that work with your sink.

Energy 55

## TRAPS



WSBC 53922  
*Our best seller*

Polished Chrome  
WSBC 53922.29

Matte Black  
WSBC 53922.22



WSBC 5392

Polished Chrome  
WSBC 5392.29



WSBC 53925

Polished Chrome  
WSBC 53925.29



WSBC 53921  
*Space saving*

Polished Chrome  
WSBC 53921.29

Matte Black  
WSBC 53921.22

## DRAINS



WSBC 53991  
Push waste drain (click clack)  
*with overflow*

Polished Chrome  
WSBC 53991.29

Glossy White  
WSBC 53991.09

Glossy Black  
WSBC 53991.18

Matte White  
WSBC 53991.26

Matte Black  
WSBC 53991.22

## MOUNTING HARDWARE

### Wall-mount installation

### Vessel/ countertop installation



Bolts



Silicone (optional)

Collection  
Energy

Model |  
Energy 55

Dimensions Metric

1 inch = 2.54 cm  
1 inch = 25.4 mm

**WS**<sup>®</sup>  
**BATH**  
**COLLECTIONS**

1051 Lea Drive - Collegeville, PA 19426  
Tel. 215 513 9400 - Fax 610 831 0215

[www.ws bathcollections.com](http://www.ws bathcollections.com) - [info@ws bathcollections.com](mailto:info@ws bathcollections.com)